

H-12

TRUCK, RADIO, MEDIUM, SR D11/R230, 1-TON, 4x4, AUSTIN, K9

TECHNICAL HANDBOOK - MODIFICATION INSTRUCTION

SUB-TITLE: Fitting Teleprinter T100/R to Baseboard, teleprinter YB 08193

1. Introduction

The SR D11/R230 in Truck, 1-ton, 4x4, Austin K9 was originally designed to operate with Teleprinter 7B and the appropriate teleprinter baseboard, Cat No YB 08193 was fitted. This instruction details the additional fittings required to permit the Teleprinter T100/R to be fitted to the same baseboard. The supply unit for teleprinter 7B is no longer required and will be removed. This instruction will be read in conjunction with Tels I 047 Mod Instr No 1.

2. Priority: Group B (ACI 407/58 refers).

3. Estimated time required: 1/2 man hour

4. Items affected:

YB 08193 Baseboard teleprinter (when fitted in Station, radio, D11/R230 installed in Truck, 1-ton). Note that Station, radio, D11/R234 is not affected although both installations are included under the same vehicle code 314679-01-0235.

5. Action required by:

(a) Units and establishments holding equipment:

- (i) Demand stores required.
- (ii) On receipt of stores, request REME to modify equipment.
- (iii) Submit appropriate vehicle to REME together with stores required to carry out modification.

(b) Units authorized to carry out field or base repairs:

- (i) When requested by units carry out this modification.
- (ii) On repair or overhaul demand stores and carry out modification.

6. Stores, tools and equipment:

(a) Stores to be demanded:

Z1/5820-99-901-7103, Modification kit electronic equipment, Teleprinter, baseboard, from Type 7.BWD to Type T100/R.
The following items will be supplied as assemblies, designated:-

- Rear Retainer assembly 1 off (see Fig 1)
- Front Retainer assembly complete with fixing screws
2 off (see Fig 2)

<u>Item No</u>	<u>Designation</u>	<u>Qty per equipment</u>
1	Retaining strip rear	1
2	Vibration damper	2
3	Retaining angle	2
4	Fixing angle	2
5	Screw, 1/4 in. - 28 UNF, hex. hd. x 3/4 in. long	2
6	Stiffnut, 1/4 in. - 28 UNF, hex. std.	2
7	Washer, 1/4 in. plain	6
8	Woodscrew, No 12, round head x 3/4 in. long	4
9	Weldnut, 1/4 in. - 28 UNF	2
10	Screw, 1/4 in. - 28 UNF, fan hd. x 1.1/4 in. long	2
11	Washer, spring, 1/4 in. single coil	2
12	Woodscrew, No 8, round head x 3/4 in. long	4
13	Pin, split, 1/16 in. dia. x 1/2 in. long	2

(b) Stores to be obtained locally: NIL

(c) Stores to be manufactured: NIL

(d) Stores to be discarded:

Return the following items to Ordnance stores -

<u>Part No</u>	<u>Designation</u>	<u>Qty per equipment</u>
ZJ 00257	Supply unit rectifier	1
ZA 55108	Cable, special purpose 2 Conductor, 6 ft, 3 in. long	1
ZA 51765	Connector, 3-point, No 221, Type A/E	1

(e) Special tools and test equipment: NIL

7. Sequence of operations

- (a) Loosen the screws (Item 5) retaining the vibration dampers to the rear retaining strip and front edge of the retaining strip which overlaps the vibration damper facing the front edge of the baseboard YB 08193. Secure the l.h. damper to the top face of the baseboard flush with the back edge and with the centre of the damper 3 in. from the left-hand edge of the baseboard using two No 12 round head woodscrews (Item 8) (see Fig 1).
- (b) Using the retaining strip as a template, position and mark off the screw fixing positions for the r.h. damper so that it is similarly flush with the back edge of the baseboard.
- (c) Remove the r.h. damper from the retaining strip and secure it in the marked position using two No 12 round head woodscrews (Item 8).
- (d) Reassemble the retaining strip to the r.h. damper using the screw, washers and nut initially removed and tighten the screws securing the retaining strip to both l.h. and r.h. vibration dampers.

- (e) Fit the front retainer assemblies (one on the l.h. side and one on the r.h. side) to the baseboard YB 08193 using four No 8 woodscrews (Item 12) positioning the retainers so that the centres of the clamping screws (Item 10) is 2 in. from the edge of the baseboard (see Fig 2).
- (f) Disconnect the Cable, special purpose (ZA 55108) from the socket 'd' of the teleprinter send/receive switch box (installation Item 14). Remove the cover plate from the Supply unit, rectifier, ZJ 00257 (installation Item 15) and remove the red and blue wires from the d.c. output terminals. Refit the cover plate.
- (g) Disconnect the connector, 3pt, No 221 (ZA 51765) and the Power distribution unit (XB 20186) (installation Item 13) and Supply unit, rectifier (ZJ 00257) (installation Item 15).
- (h) To remove the Supply unit, rectifier, unscrew the four bolts securing the unit to the teleprinter table and lift out.

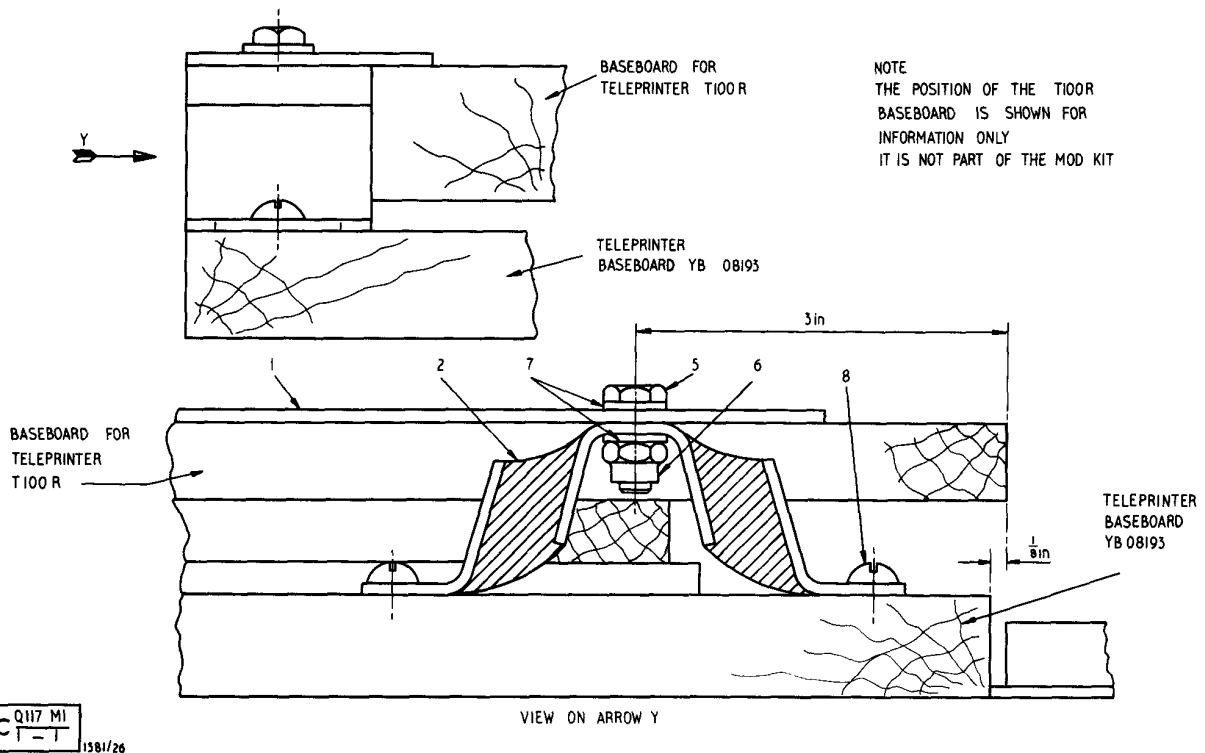


Fig 1 - Rear retainer assembly

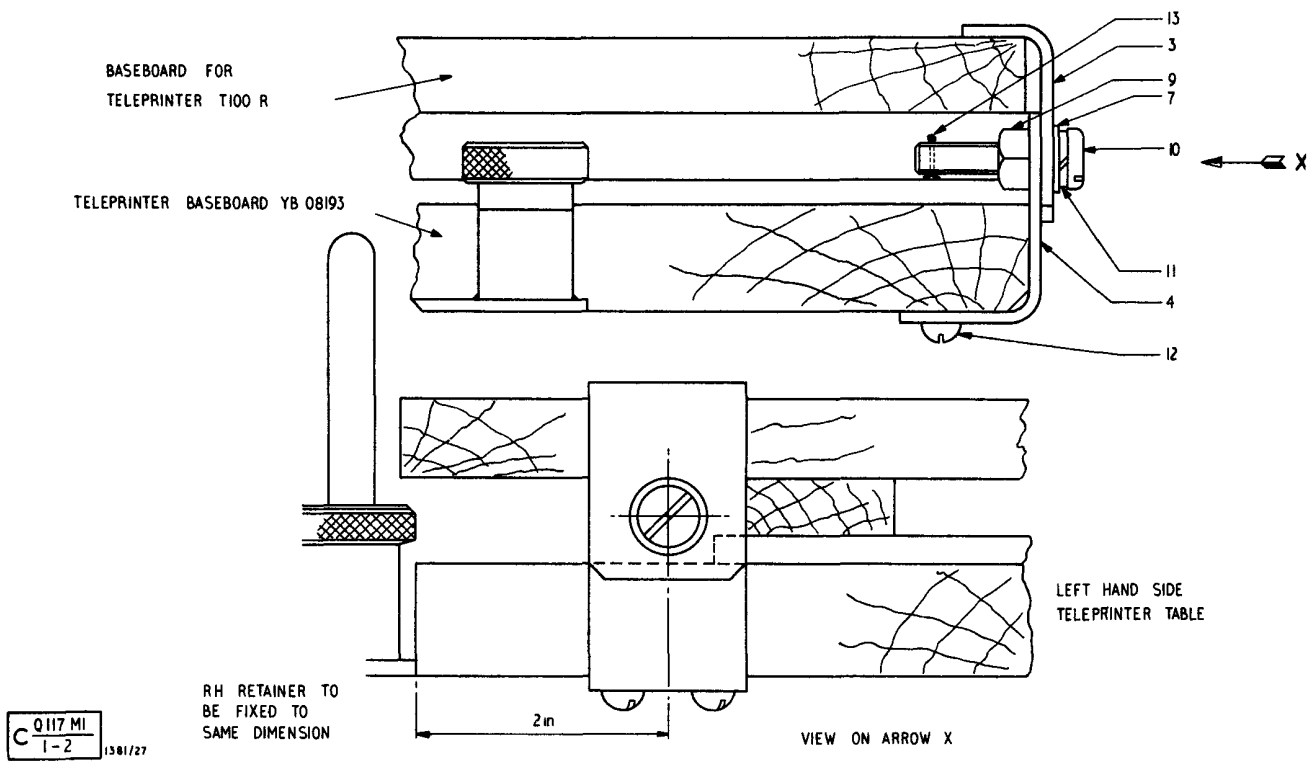


Fig 2 - Front retainer assembly

EME8c/1381

END

H/P LSA

TRUCK, RADIO, MEDIUM, SRD11/R230, 1-TON, 4x4, AUSTIN, K9

TECHNICAL HANDBOOK - MODIFICATION INSTRUCTION

SUB-TITLE: Removal of canvas trunking between cab and body of vehicle

1. Introduction

The standard Truck, 1-ton, Signals, Mk 2 (Austin K9) incorporates a canvas communicating trunk between body and cab. In the D11/R230 installation this facility cannot be used because the Adaptor, antenna to transmitter (Item No 4 in the installation) is mounted directly in front of the trunk. It has been found that in some installations rain-water permeates the canvas trunk and finds its way inside the vehicle. This regulation contains instructions for the complete removal of the canvas trunk and blanking off the resulting aperture in the vehicle body by means of a steel plate. Reference is made to Comms Inst Q 115 Inst Instr No 1.

2. Priority: Group 'B' (ACI 407/58 refers).

3. Estimated time required: 3 man-hours.

4. Items affected: The canvas trunk between body and cab of vehicle.

5. Action required by:-

(a) Units and establishments holding equipment

(i) Request REME to carry out modification.

(ii) Submit appropriate vehicle to REME.

(b) Units authorised to carry out field or base repairs

(i) When requested by units carry out this modification.

(ii) On repair or overhaul demand stores and carry out modification.

6. Stores, tools and equipment

(a) Stores to be demanded

Nil

(b) Stores to be obtained locally

<u>VAOS Sect</u>	<u>Part No</u>	<u>Designation</u>	<u>Qty per vehicle</u>
Z2	ZB 13848	Screw, self-tapping, PK, type A, binding head, No 8 x 1/2 in. long	12
Z2	ZB 13854	Screw, self-tapping, binding head, No 8 x 3/4 in. long	3
		A quantity of mild steel sheet 16 B.G. (1/16 in.) approx 10 x 12 in.	

<u>VAOS Sect</u>	<u>Part No</u>	<u>Designation</u>	<u>Qty per vehicle</u>
LV6/1111	3712	Bostik A.A., sealing compound	
(c)	<u>Stores to be manufactured</u>		
		Cover plate for blanking off aperture in vehicle body.	
(d)	<u>Stores to be discarded</u>		
		Canvas trunking and wooden frame from cab end of trunking to be disposed of locally.	
(e)	<u>Special tools and test equipment</u>		
		Nil	

SEQUENCE OF OPERATIONS

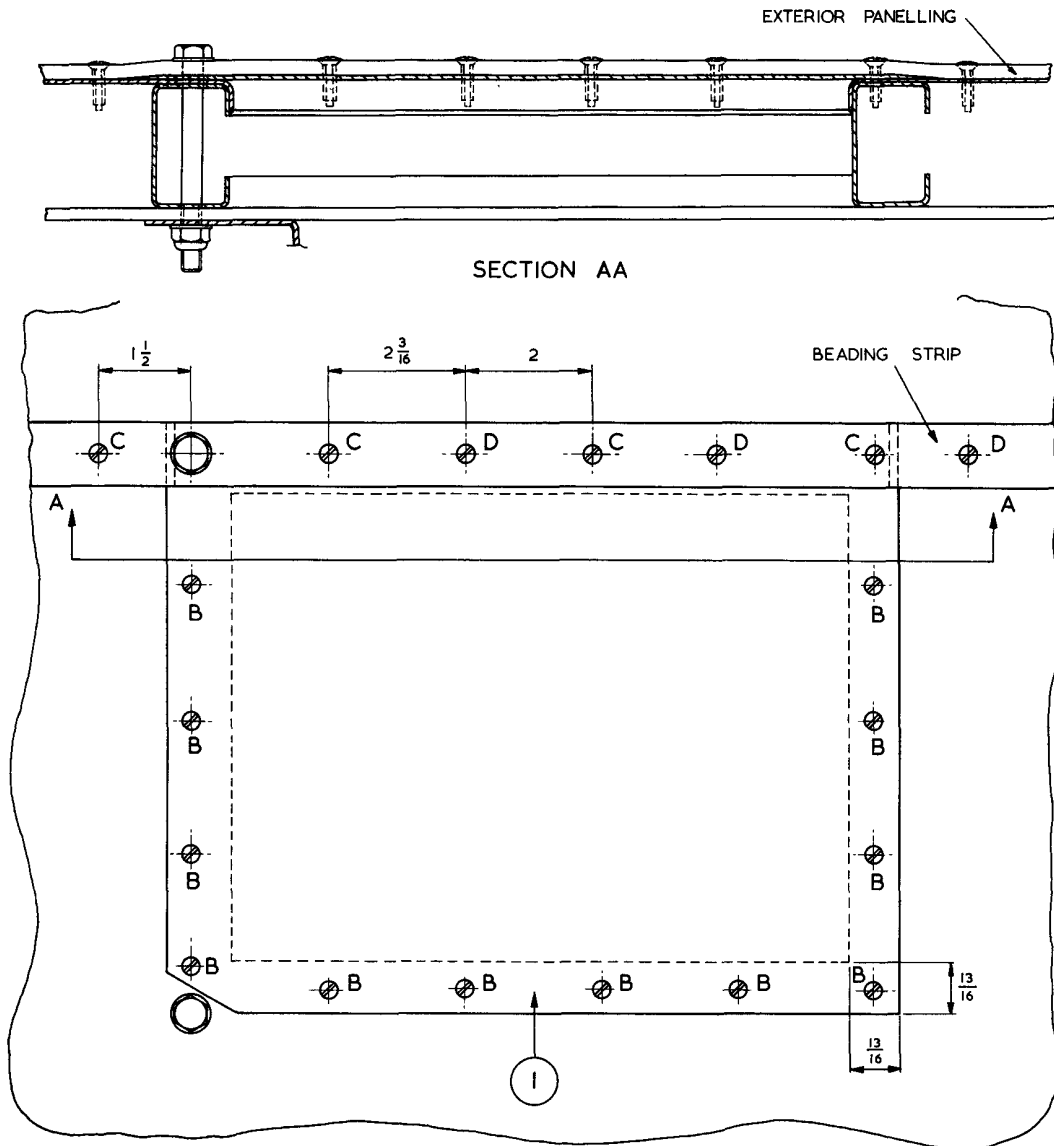
Removal of canvas trunking

7. (a) Locate position where trunk enters cab.
 - (i) Working from inside the cab remove nine securing woodscrews from wooden frame surrounding mouth of trunk. The sides of the frame will collapse into the trunk allowing the complete assembly to be pushed out through the cab window.
 - (ii) Check that the sliding window in rear of cab may be operated in the normal manner.
- (b) Refer to Comms Inst Q 115 Inst Instr No 1, Fig 2.
 - (i) Locate the Adaptor, antenna to transmitter (unit reference 04) mounted on the front bulkhead.
 - (ii) Remove this unit from its mounting bracket. Note that it is necessary to open the door of the antenna guard cabinet situated directly above the Adaptor, antenna to transmitter to gain access to a braid connection at the top of the latter unit.
- (c) Locate the sliding hatch access to the communicating trunk directly behind the Adaptor, antenna to transmitter.
 - (i) Remove three self-tapping screws securing the bottom runner of the sliding hatch to vehicle body member and remove bottom runner.
 - (ii) Remove sliding hatch cover.
 - (iii) Remove top runner (three self-tapping screws).
 - (iv) Remove vertical wood strip securing l.h. side of trunk. The trunk may now be taken out complete after a number of tacks securing the canvas have been removed.

- (v) Replace runners, vertical strip and sliding hatch, securing with original self-tapping screws.
- (vi) Close sliding hatch and replace the adaptor, antenna to transmitter in mounting rack and secure.

Blanking off aperture left in vehicle body by removal of trunk

8. Refer to Fig 1 and 2 Comms Inst Q 115 Inst Instr No 1, Fig 11b.
- (a) Manufacture cover plate detailed in Fig 2.
 - (b) Locate half-round aluminium beading strip mounted externally across the vehicle body directly over the aperture left by removal of canvas trunk.
 - (c) Locate and remove the 5/16 in. UNF hex. hd. x 3.1/4 in. long bolt in the top r.h. corner of the Bracket assembly transmitter AMU Z1/ZA 56787 (Q 115 Fig 11b) securing the bracket to the front bulkhead. (This bolt passes through the beading strip and must be removed before carrying out the next operation).
 - (d) Remove self-tapping screws (4 off) in strip directly over the aperture and prise up weather strip for approximately 1/8 in. above aperture, extending about 2 in. to left and right of aperture.
 - (e) Mark out to Fig 2 boundaries of cover plate about aperture to assist in locating correct position. Slide cover plate up under weather strip and position.
 - (f) Carry out the drilling sequence detailed in Fig 1 (notes 1-6) for securing cover plate in position by means of self-tapping screws
 - (g) Remove cover plate and apply sealing compound to underside of cover plate where it is in contact with vehicle body; also apply a liberal amount between weather strip and vehicle skin. Replace cover plate and secure with self-tapping screws.
 - (h) Replace 5/16 x 3.1/4 in. bolt previously removed at (c). Ensure that the Dowty seal under bolthead is intact.

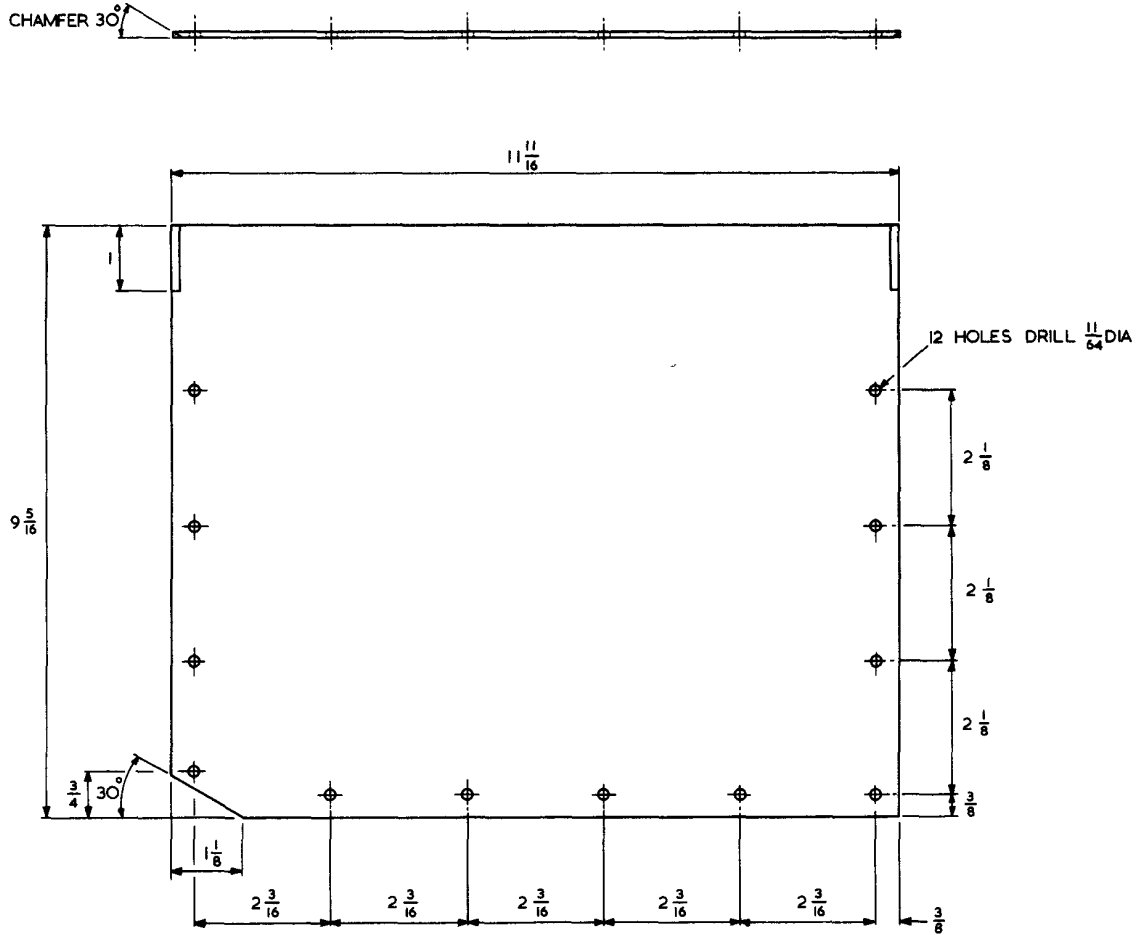


- NOTE:-
- 1 - 12 HOLES AT B DRILL No 25 (0.149) THROUGH EXTERIOR PANELLING AND FRAME MEMBERS
 - 2 - 4 HOLES AT C DRILL No 25 (0.149) THROUGH BEADING STRIP, COVER PLATE, EXTERIOR PANELLING AND FRAME MEMBER
OPEN OUT HOLES IN COVER PLATE AND BEADING STRIP TO $\frac{11}{64}$ DIA CSK AT 90° TO $\frac{5}{16}$ DIA IN BEADING STRIP ONLY
 - 3 - HOLES AT D ARE EXISTING IN BEADING STRIP, EXTERIOR PANELLING AND FRAME MEMBER DRILL COVER PLATE $\frac{11}{64}$ DIA
 - 4 - IN POSITIONS AT B 12 SCREWS SELF-TAPPING No 8 x $\frac{1}{2}$ in LONG SLOTTED ROUND HEAD (PART OF ITEM 1)
 - 5 - IN POSITION AT C 4 SCREWS SELF-TAPPING No 8 x $\frac{3}{4}$ in LONG SLOTTED RAISED HEAD (PART OF ITEM 1)
 - 6 - DIMENSIONS IN INCHES

C Q117 M2
1-1 1301/28

FITTING COVER PLATE TO BLK'HD BODY
(EXTERIOR WALL)

Fig 1 - Fitting cover plate to bulkhead body



ITEM 1
MATERIAL 16 BG ($\frac{1}{16}$)MS

- NOTE- 1- ITEM 1 WILL INCLUDE
 4 SCREWS SELF-TAPPING No 8 x $\frac{3}{4}$ in LONG SLOTTED RAISED HEAD
 12 SCREWS SELF-TAPPING No 8 x $\frac{1}{2}$ in LONG SLOTTED ROUND HEAD
 2- FINISH REFER TO EMER WORKSHOPS N221 AND N251
 3- DIMENSIONS IN INCHES

Q 117 M2
1-2 1501/29

DETAILS OF COVER PLATE

Fig 2 - Details of cover plate

EME8c/1381

Issue 1, 15 April 64

END

Page 5