

ELECTRICAL AND MECHANICAL ENGINEERING REGULATIONS

TELECOMMUNICATIONS ~~FZ 256/3~~

F 226

WIRELESS SET CDN. No. 19, Mk. III AND ANCILLARY EQUIPMENT

Identification List and Echelon Repair Schedule

NOTE:—This information is provisional and is supplied for guidance pending the issue of more complete instructions. All errors of a technical nature should be notified through the usual channels to Command Headquarters. An overseas command will forward a consolidated report with comments direct to D.M.E. (E 5) Ottawa, with a copy to the War Office (M.E. 10) and B.A.S. (E.M.E. 5) Washington. A U.K. command will forward a consolidated report with comments to the War Office (M.E. 10) for onward transmission to D.M.E. (E 5) Ottawa, and B.A.S. (E.M.E. 5) Washington.

Compiled by

DIRECTORATE OF ELECTRICAL AND COMMUNICATIONS DESIGN
BRANCH OF THE MASTER GENERAL OF THE ORDNANCE

Published by

DIRECTORATE OF MECHANICAL ENGINEERING
BRANCH OF THE MASTER GENERAL OF THE ORDNANCE
OTTAWA - CANADA

ISSUE 1

1 OCT. 1944

Overseas Distribution—Code No. 3
Canadian Distribution—Code No. 11

PREFACE

1. This list has been prepared for the purpose of identifying any component Part or assembly of Parts and to lay out the repairs, replacements and adjustments which are to be carried out by formations in the field. All concerned will use the designations given in this document when demanding Spare Parts from Ordnance, or when referring in correspondence to any part of the equipment.

2. The Catalogue numbers quoted in this list will supersede any other Catalogue numbers that may have been allotted previously.

3. When demanding Spare Parts the following particulars must be quoted:-

Catalogue number, Designation of Part and Designation of the Equipment for which the part is required.

4. Alternatives quoted apply only to the equipments covered by this list and it must not be assumed that they may apply to other equipments.

5. In the Echelon Repair detail no attempt has been made to cover exceptional circumstances. A reasonable interpretation should enable such cases to be dealt with intelligently as they arise.

The following abbreviations are used to indicate the action to be taken by the formation shown in the last four columns of each Illustration List:

R—Indicates items which can be REPAIRED, REPLACED or ADJUSTED

X—Items which can be REPLACED and ADJUSTED

A—Items which can be ADJUSTED.

Prefix E—Indicates action which may be taken in emergencies only, e.g., ER, EX or EA

6. All marginal signs are explained at the foot of the sheet upon which they appear. Abbreviations used are explained in the appendix.

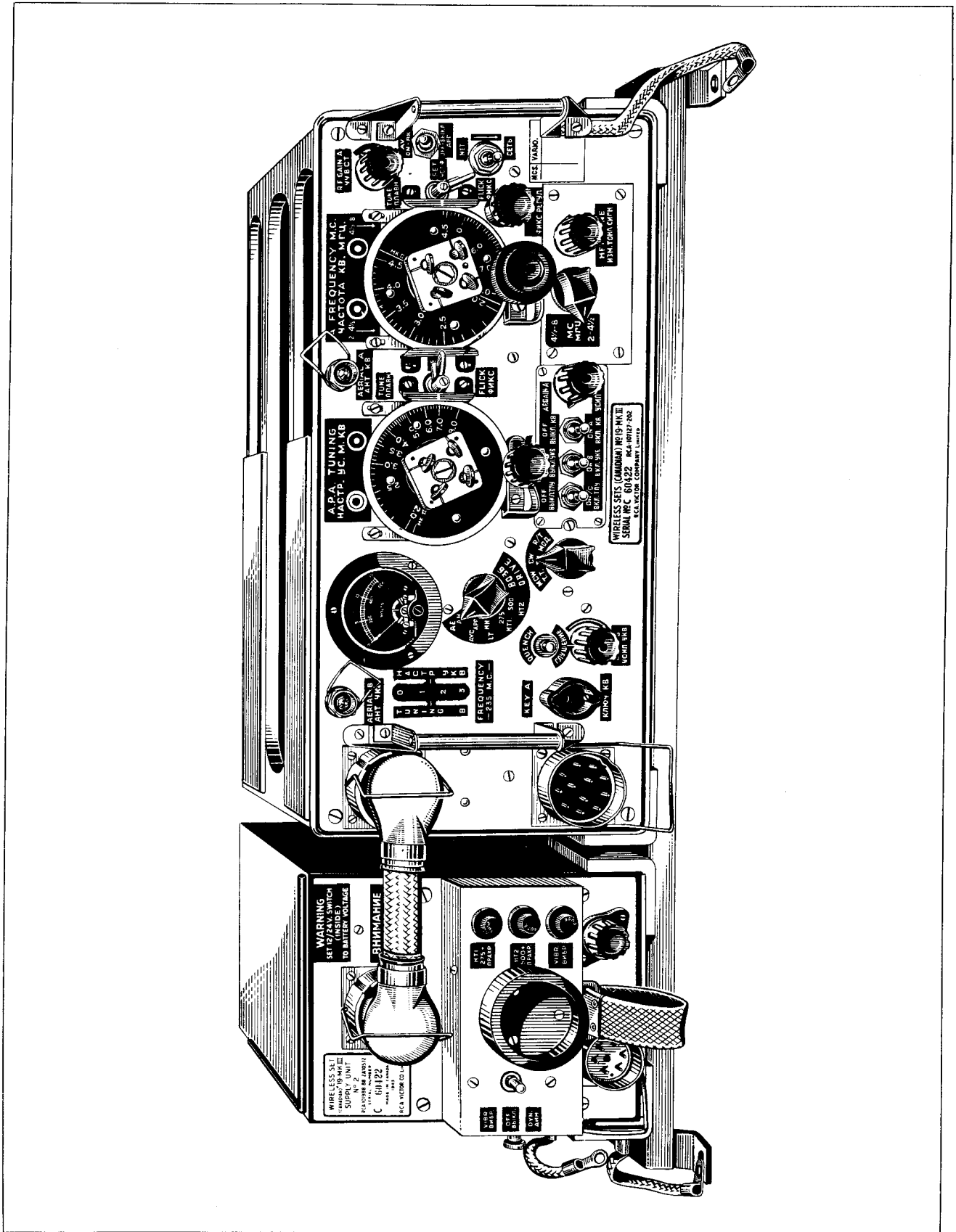
7. Repairs shown in the Repair Schedule under "Unit" are carried out by Unit personnel. R Sigs. or RC Sigs. personnel may carry out repairs listed under "Unit" and "1st Echelon". REME or RCEME personnel may carry out repairs listed under "Unit", "1st", "2nd", or "4th Echelon".

8. To find any component Part, the Index (Page 172) must first be consulted to locate the illustration of the Major Assembly (Installation Kit, Control Unit, Supply Unit, etc.) containing the Part. This illustration is sectionalized and gives the Designation of the sub-assembly or group under which the exploded-view showing the Part, is found.

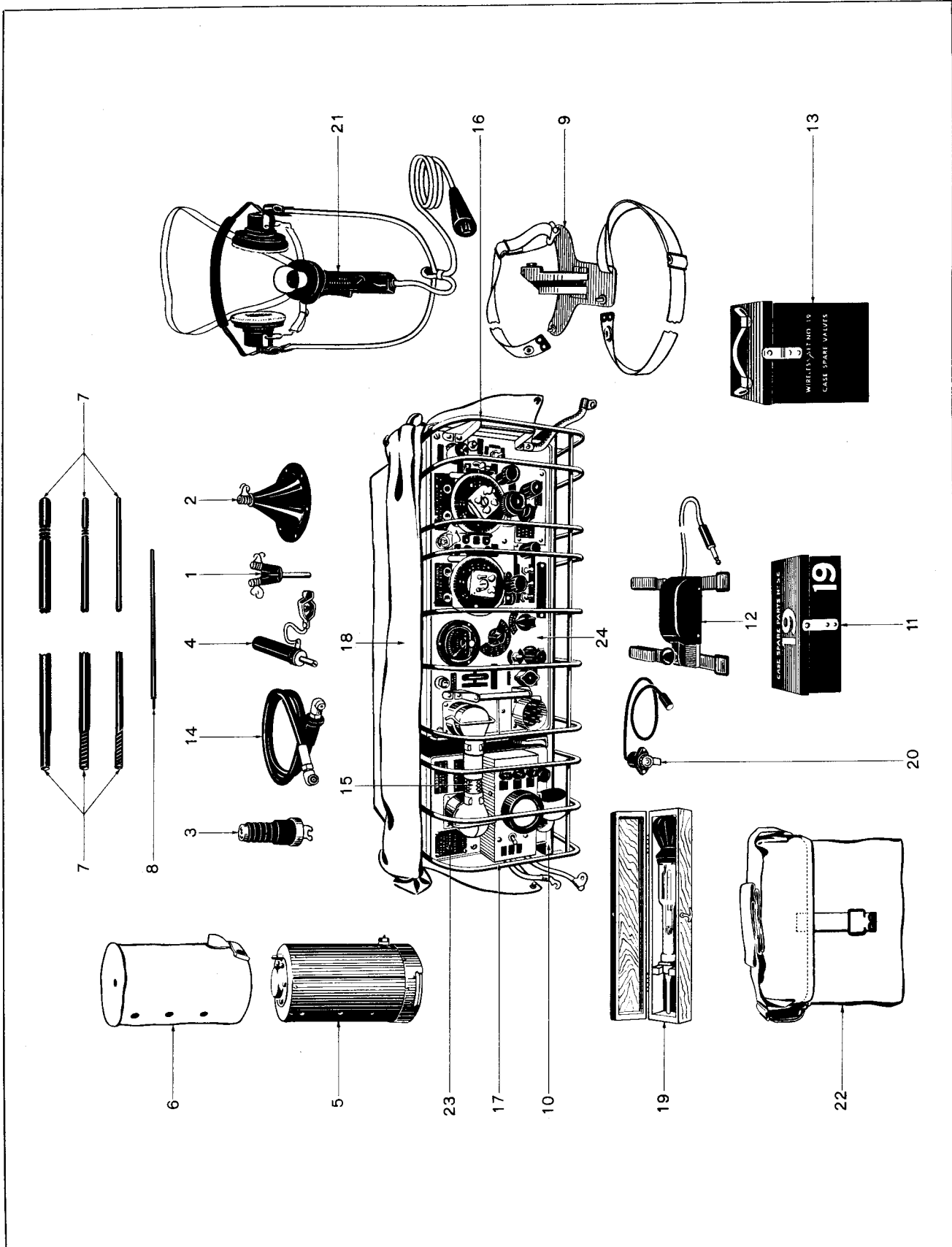
9. Amendments will be issued in the form of Alteration Lists. When issued, the recipient will mark against the item number of the affected item in the body of the list, the letter "A" (to denote altered) and henceforth consult the Alteration List in respect of items so marked.

ADJUSTMENTS

Re-Alignment & Adjustments	1st Echelon R.C. Signals	2nd Echelon R.C.E.M.E.	4th Echelon R.C.E.M.E.
I.F. re-alignment		A	A
B.F.O. adjustment (465 Kc/s)		A	A
"A" Set re-calibration		A	A
R.F. Circuit re-alignment		A	A
"A" Set Sender Drive re-adjustment		A	A
"B" Set re-calibration		A	A
Variometer R29A Adjustment	A	A	A
Relay Armature adjustment		A	A
Relay Contact adjustment	A	A	A
Dynamotor:- Cleaning Commutators Repairs to Commutators	A	A ER	A R

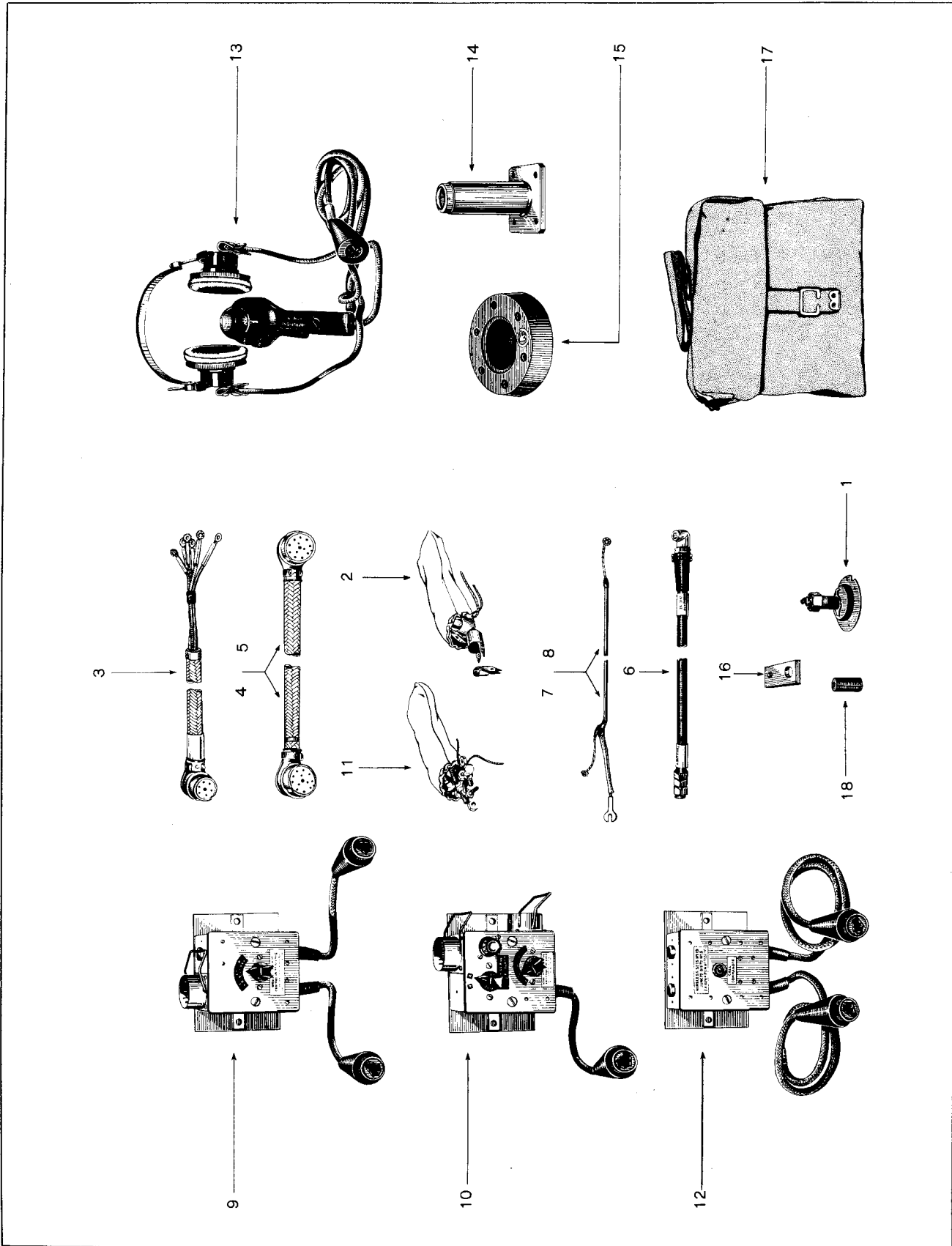


WIRELESS SET, CDN NO. 19, MK III
AND SUPPLY UNITS, NO. 2



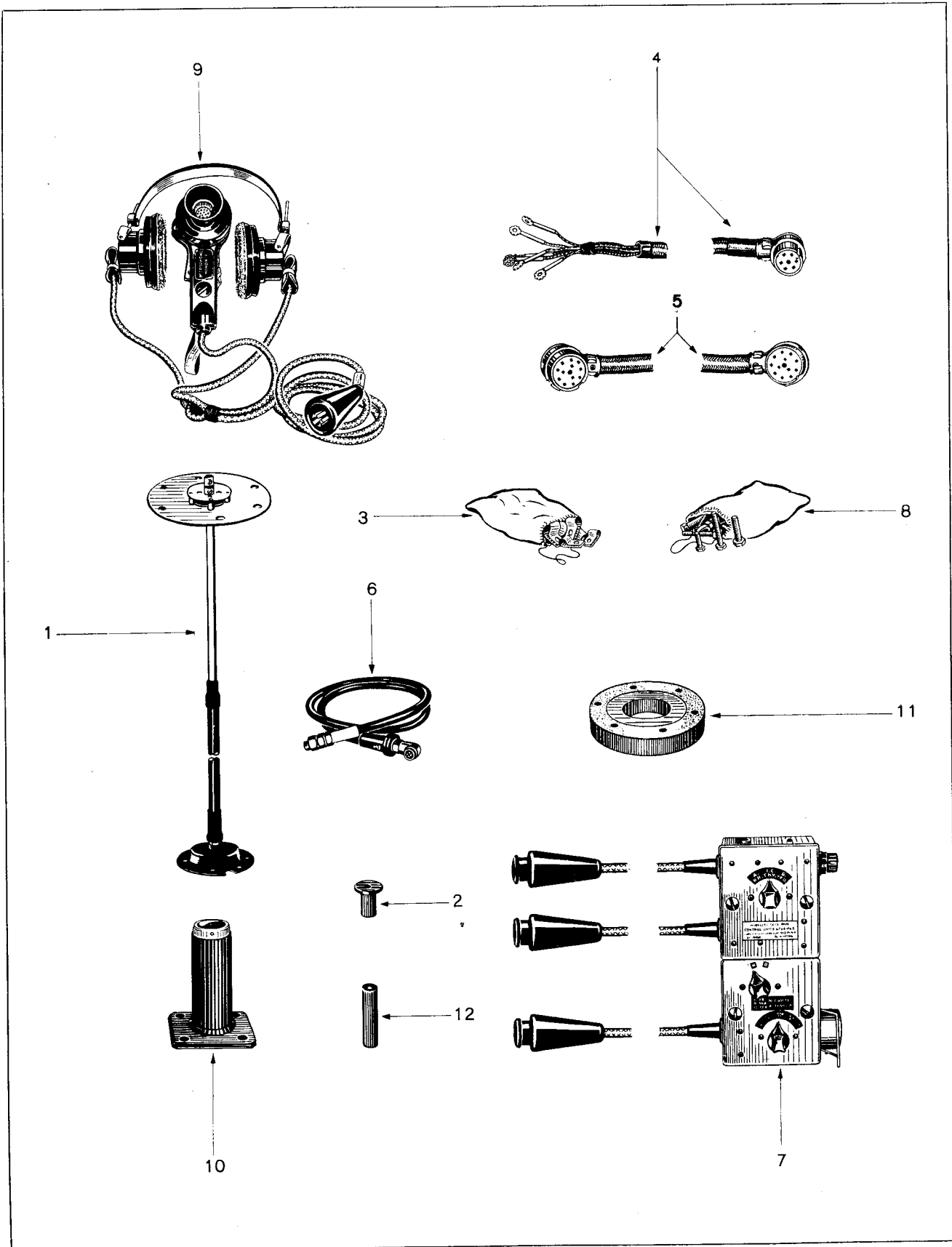
SET AND STANDARD KIT, W/S CDN. NO. 19, MK III

Det. No.	DESIGNATION	No. per Illus.	V. A. O. S.		Manufacturers Number	Cir. Ref.	Repair Schedule			
			Sect.	Number			Unit	Echelon		
								1st	2nd	4th
	SET AND STANDARD KIT, W/S CDN NO. 19, MK III		Z1	ZA/CAN 1000	RCA 110070					
1	ADAPTORS, "v", Laport.....(See Index)	1	Z1	ZA/CAN 0702	PC 32106C-190					
2	AERIAL BASES, No. 8, Mk I.....(See Index)	1	Z1	ZA 1763	PC 76387C					
3	AERIAL BASES, No. 9.....(See Index)	1	Z1	ZA 1764	PC 75525C					
4	AERIALS, Dummy, No. C1.....(See Index)	1	Z1	ZA/CAN 0677	PC 76418C-191					
5	AERIAL VARIOMETERS, Mk II.....(See Index)	1	Z1	ZA/CAN/BR 10214	PC 75608C					
6	COVERS, Waterproof, No. 16.....	1	Z1	ZA 10411	PC 64778C					
7	ANTENNAE RODS, "F" :- Sections No. C1, C2, C3.....	3		(See Index for numbers)						
8	ANTENNAE RODS, "G" :- Sections.....	1	Z1	ZA 1771	PC 90767C					
9	BREAST PLATES, Microphone Hand, No. C1.....(See Index)	2	Z1	ZA/CAN 0705	RCA 110073					
10	CARRIERS, Sets, No. 21.....	1		(See Index for component items)						
11	CASES, Spare Parts, No. C1 (Filled).....	1		(See Index for other items included in Case besides item listed below)						
12	KEY AND PLUG ASSEMBLIES, Cdn, No. 9, Type 2.....(See Index)	1	Z1	ZA/CAN 0715	RCA 110072-1					
13	CASES, Spare Valves, No. C1 (Filled).....	1		(See below for contents)						
14	CONNECTORS, Co-Axial, No. 10....(See Index)	1	Z1	ZA 3141	PC 76421					
15	CONNECTORS, 12-Point, No. 23A....(See Index)	1	Z1	ZA/CAN/BR 10540	RCA 110076-501					
16	COVERS, Protecting, No. 1.....	1	Z1	ZA 2950	PC 90795C					
17	COVERS, Protecting, No. 2.....	1	Z1	ZA 2951	PC 90781C					
18	COVERS, Waterproof, No. 1.....	1	Z1	ZA 2952	PC 90816C					
19	HYDROMETERS, Sec. Cell, Portable, Cdn., Mk I.....(See Index)	1	Z2	ZB/CAN 0641	RCA 114033-501					
20	LAMPS, Operator, No. 6.....(See Index)	1	Z1	ZA 11521	RCA 110077-501					
21	MICROPHONE & RECEIVERS HEADGEAR ASSEMBLIES, No. 8, Cdn.....(See Index)	3	Z1	ZA/CAN/BR 17603	RCA 110071-1					
22	SATCHELS, Signal, No. 1.....	1	Z1	ZA 6292	PC 90107 LR 11958-1					
23	SUPPLY UNITS, No. 2.....(See Index)	1	Z1	ZA/CAN/BR 10572	RCA 101988-88					
24	WIRELESS SETS, Cdn. No. 19, Mk III.....	1	Z1	ZA/CAN/BR 10579	RCA 118295					
	WORKING INSTRUCTIONS, W/S Cdn. No. 19, Mk III.....	1	Z1	ZA/CAN 0710	RCA 113923-1					
	CASES, Spare Valves, No. C1.....	1	Z1	ZA/CAN 0683	PC 76873C					
	VALVES, W/T, Type E 1148.....	1	Z1	ZA 3055	PC 86187C					
	VALVES, W/T, Type EF 50.....	1	Z1	ZA 20035	PC 86097C					
	VALVES, W/T, Type 6B8G.....	1	Z1	ZA/JAN 6B8G	PC 86183C					
	VALVES, W/T, Type 6H6.....	1	Z1	ZA/JAN 6H6	PC 86170C					
	VALVES, W/T, Type 6K7G.....	6	Z1	ZA/JAN 6K7G	PC 86182C					
	VALVES, W/T, Type 6K8G.....	2	Z1	ZA/JAN 6K8G	PC 86184C					
	VALVES, W/T, Type 6V6G.....	2	Z1	ZA/JAN 6V6G	PC 86185C					
	VALVES, W/T, Type 807.....	1	Z1	ZA/JAN 807	PC 86186C					



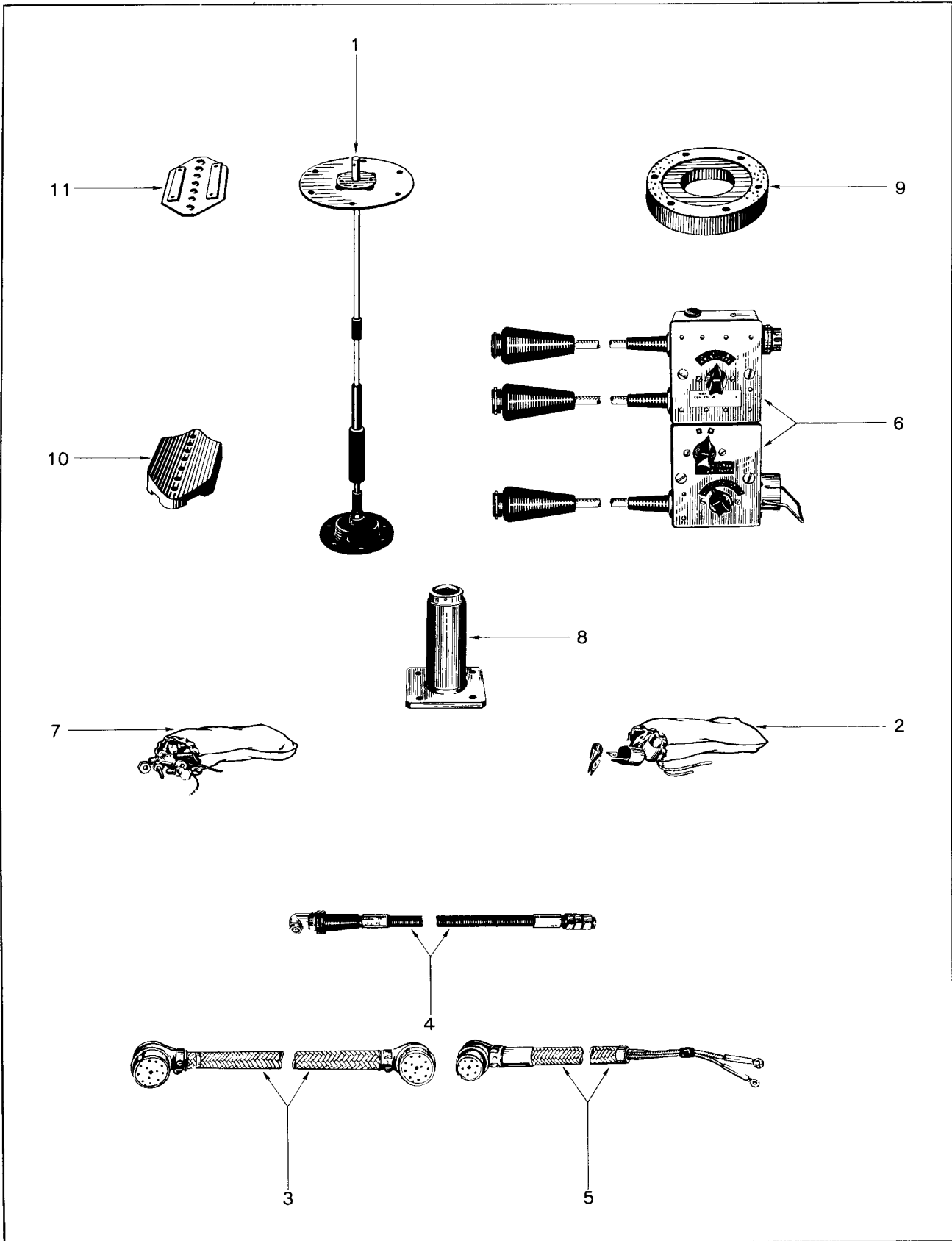
INSTALLATION KITS, W/S CDN NO. 19, CARS ARMoured, CDN, FOX I

Det. No.	DESIGNATION	No. per Illus.	V. A. O. S.		Manufacturers Number	Cir. Ref.	Repair Schedule			
			Sect.	Number			Unit	Echelon		
								1st	2nd	4th
	INSTALLATION KITS, W/S CDN NO. 19, CARS, ARMoured, CDN, FOX I		Z1	ZA/CAN 1460	PC 75540C-191					R
1	AERIAL FEEDER ASSEMBLIES, NO. 4 (See Index)	1	Z1	ZA 2957	PC 76479 C					R
2	● CLAMPS, Cable, Sets, Fox I.....(See Index)	1	Z1	ZA/CAN 1250	PC 90779C-192	X	R	R	R	R
3	● CONNECTORS, 6-Point, No. 8A2.....(See Index)	1	Z1	ZA/CAN 0831	PC 76451 C/A2	X	R	R	R	R
4	● CONNECTORS, 12-Point, No. 2A1 (See Index)	1	Z1	ZA/CAN/BR 1787	PC 76444 C/A1	R	R	R	R	R
5	● CONNECTORS, 12-Point, No. 2A3.....(See Index)	1	Z1	ZA/CAN 0899	PC 76444 C/A3	R	R	R	R	R
6	● CONNECTORS, Co-Axial, No. 11.....(See Index)	1	Z1	ZA 3142	PC 76422 C	X	R	R	R	R
7	● CONNECTORS, Single, No. 191.....(See Index)	1	Z1	ZA/CAN 1445	PC 76956C-191	R	R	R	R	R
8	● CONNECTORS, Single, No. 192.....(See Index)	1	Z1	ZA/CAN 1448	PC 76956C-192	R	R	R	R	R
9	● CONTROL UNITS, No. 1, Mk II.....(See Index)	1	Z1	ZA/CAN/BR 10243	PC 75524 C	X	R	R	R	R
10	● CONTROL UNITS, No. 2, Mk II.....(See Index)	1	Z1	ZA/CAN/BR 10358	PC 75732 C	X	R	R	R	R
11	● HARDWARE, Sets, Cars Armoured Cdn Fox I.....	1	Z1	ZA/CAN 1224	PC 75540C-195	X	X	R	R	R
12	● JUNCTIONS, Distribution, No. 3 (See Index)	1	Z1	ZA/CAN/BR 10244	PC 75523 C	X	R	R	R	R
13	● MICROPHONE & RECEIVERS HEADGEAR ASSEMBLIES, No. 1, Cdn.....(See Index)	2	Z1	ZA/CAN/BR 21230	PC 76338 C	X	R	R	R	R
14	● MOUNTINGS, No. 1, Aerial Bases No. 9.....	1	Z1	ZA 1765	PC 76419 C	X	X	X	X	X
15	● MOUNTINGS, Aerial Bases, No. 1, Mk I.....	1	Z1	ZA 1825	PC 76456 C	X	X	X	X	X
16	● W/S No. 19: AV: Plates, Packing, No. 1.....	1	Z1	ZA 2948	PC 76552 C	X	X	X	X	X
17	● SATCHELS, Signal, No. 1.....	1	Z1	ZA 6292	[PC 90107 R 11958-1	X	R	R	R	R
18	● SLEEVING, Sponge-Rubber, 3/4-in. OD, 1.1/2-in. long.....	1	Z1	ZA/CAN 0326	PC 90653 C	X	X	X	X	X
	NOTE:- This Kit also includes the following items which are not shown on the diagram.									
	● DRAWINGS, Installation, W/S Cdn No. 19, Armoured Car Fox.....	1	Z1	ZA/CAN 1320	PC 76472C-191	X	X	X	X	X
	● INSTRUCTIONS, Installation, W/S Cdn No. 19, Armoured Car Fox.....	1	Z1	ZA/CAN 1312	PC 76472C-192	X	X	X	X	X
	● WIRING LAYOUTS, No. 192, W/S Cdn No. 19.....	1	Z1	ZA/CAN 1328	PC 64045C-1911	X	X	X	X	X
	★ Detail 11 includes Disposal Drawings.									
	● These items only are carried in Ordnance as Spares. Full designation and V.A.O.S. number MUST be quoted on indents.									



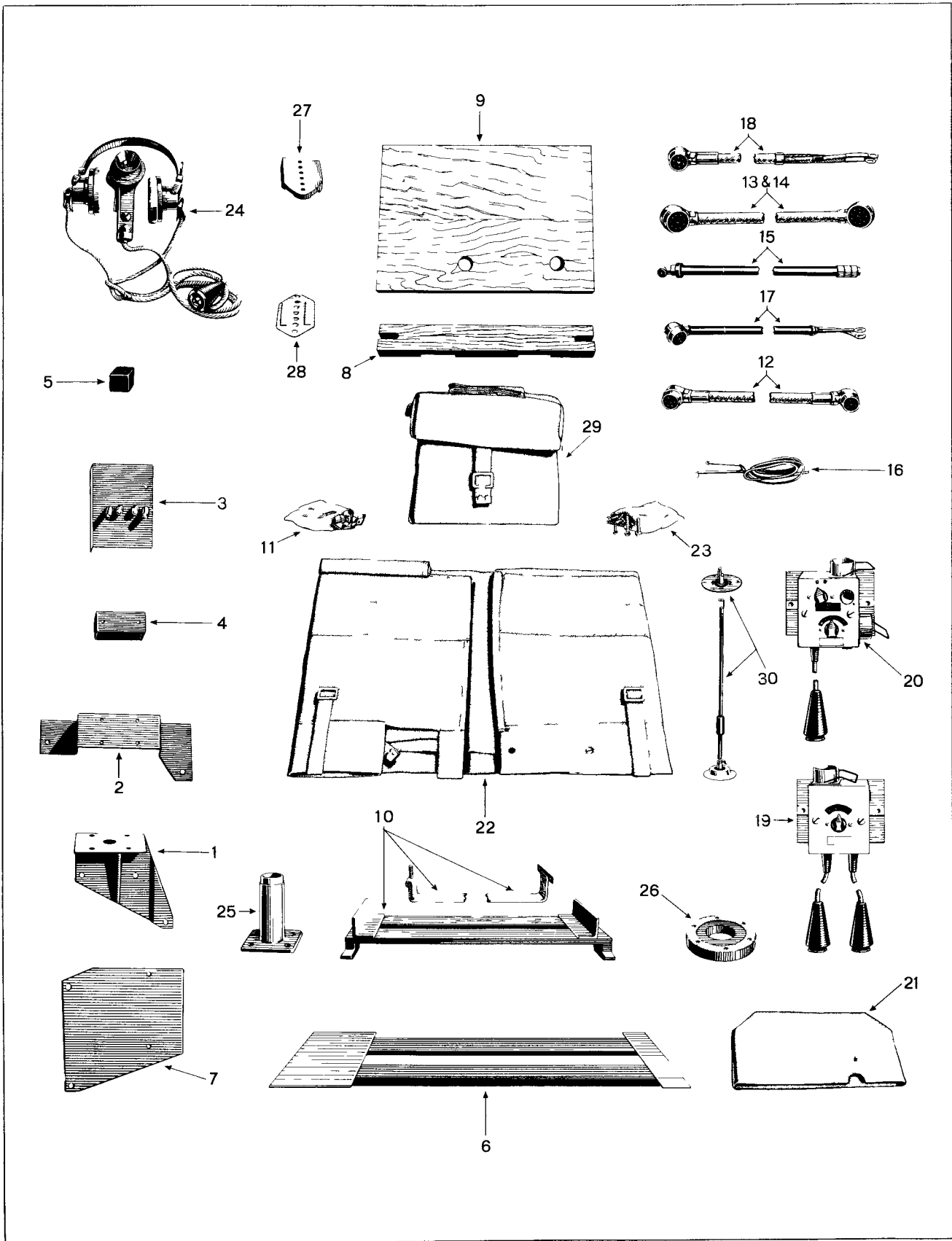
INSTALLATION KITS, W/S CDN. NO. 19, CARS, LIGHT RECCE, CDN. OTTER I

Det. No.	DESIGNATION	No. per Illus.	V. A. O. S.		Manufacturers Number	Cir. Ref.	Repair Schedule			
			Sect.	Number			Unit	Echelon		
								1st	2nd	4th
	INSTALLATION KITS, W/S CDN NO. 19, CARS, LIGHT RECCE, CDN, OTTER I		Z1	ZA/CAN 1465	PC 755400-1911					R
1	● AERIAL FEEDER ASSEMBLIES, No. 3 (See Index)	1	Z1	ZA 2992	PC 76488 C		X	R	R	
2	● BUSHINGS, Rubber, 25/32-in. OD, 5/16-in. ID, 3/4-in. Long.....	1	Z1	ZA/CAN 1340	PC 90654 C		X	X	X	
3	● CLAMPS, Cable, Sets, Recce Armoured Car.....(See Index)	1	Z1	ZA/CAN 1366	PC 907790-193		X	R	R	
4	● CONNECTORS, 6-Point, No. 8A1.....(See Index)	1	Z1	ZA/CAN 1255	PC 76451 C/A1		R	R	R	
5	● CONNECTORS, 12-Point, No. 9A.....(See Index)	1	Z1	ZA/CAN/BR 1795	PC 76447 C/A		R	R	R	
6	● CONNECTORS, Co-Axial, No. 11A.....(See Index)	1	Z1	ZA 3143	PC 76460 C		X	R	R	
7	● CONTROL UNITS, No. 3A, Mk II.....(See Index)	1	Z1	ZA/CAN/BR 10360	PC 75734 C		X	R	R	
8★	● HARDWARE SETS, Cars Light Recce Cdn Otter I	1	Z1	ZA/CAN 1389	PC 755400-1915		X	X	R	
9	● MICROPHONE & RECEIVERS HEADGEAR ASSEMBLIES, No. 1 Cdn.(See Index)	1	Z1	ZA/CAN/BR 21230	PC 76338 C		X	R	R	
10	● MOUNTINGS, No. 1, Aerial Bases No. 9.....	1	Z1	ZA 1765	PC 76419 C		X	X	R	
11	● MOUNTINGS, Aerial Bases, No. 3, Mk I.....	1	Z1	ZA 1827	PC 76555 C		X	R	R	
12	● SLEEVING, Sponge-Rubber, 3/4-in. OD, 1.1/2-in. Long.....	2	Z1	ZA/CAN 0326	PC 90653 C		X	X	X	
	NOTE: This kit also includes the following items which are not shown on the diagram.									
	● DRAWINGS, Installation, W/S Cdn No. 19, Recce Armoured Car.....	1	Z1	ZA/CAN 1318	PC 76472C-1911		X	X	X	
	● INSTRUCTIONS, Installation, W/S Cdn No. 19, Recce Armoured Car.....	1	Z1	ZA/CAN 1311	PC 76472C-1912		X	X	X	
	● WIRING LAYOUTS, No. 194, Mk II, W/S Cdn No.19	1	Z1	ZA/CAN 1326	PC 64046C-1911		X	X	X	
	★ Item 8 includes Disposal Drawings.									
	● These items only are carried in Ordnance as Spares. Full designation and V.A.O.S. number MUST be quoted on indents.									



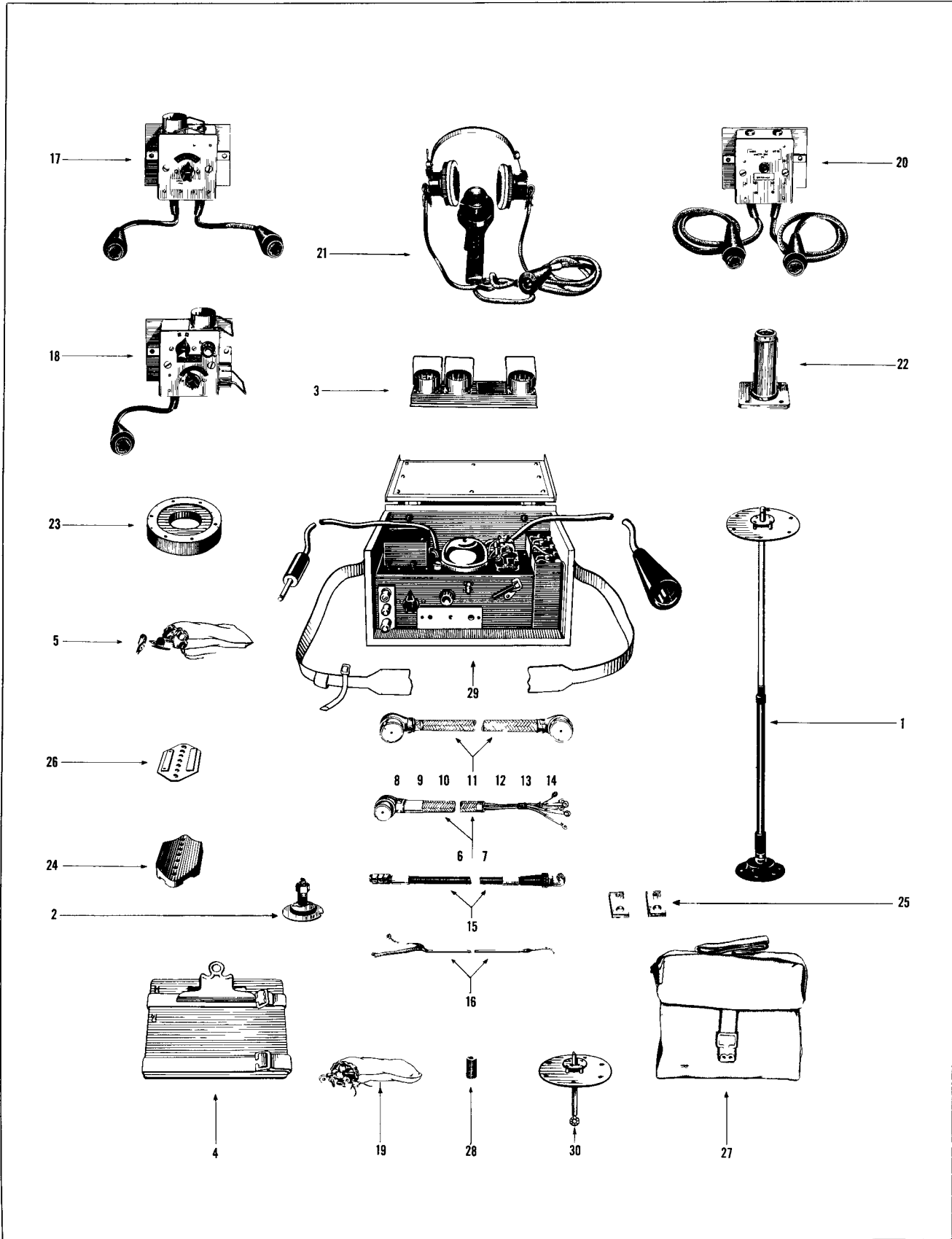
INSTALLATION KITS, W/S CDN NO. 19, CARS, SCOUT, CDN, LYNX I & II

Det No	DESIGNATION	No per Illus	V. A. O. S.		Manufacturers Number	Cir Ref	Repair Schedule			
			Sect	Number			Unit	Echelon		
								1st	2nd	4th
	INSTALLATION KITS, W/S CDN NO. 19, CARS, SCOUT, CDN, LYNX I & II		Z1	ZA/CAN 1461	PC 75539C-191					R
1	● AERIAL FEEDER ASSEMBLIES, No. 1 (See Index)	1	Z1	ZA 2990	PC 76486 C					R
2	● CLAMPS, Cable, Sets, Armoured Cars Scout..... (See Index)	1	Z1	ZA/CAN 1249	PC 90779C-191		X	R	R	R
3	● CONNECTORS, 12-Point, No. 2A2.. (See Index)	1	Z1	ZA/CAN 1105	PC 76444 C/A2		X	R	R	R
4	● CONNECTORS, Co-Axial, No. 11... (See Index)	1	Z1	ZA 3142	PC 76422 C		X	R	R	R
5	● CONNECTORS, Twin, No. 191..... (See Index)	1	Z1	ZA/CAN 1475	PC 76551C-191		R	R	R	R
6	● CONTROL UNITS, No. 3A, Mk II... (See Index)	1	Z1	ZA/CAN/BR 10360	PC 75734 C					R
7*	● HARDWARE SETS, Armoured Car Scout.....	1	Z1	ZA/CAN 1181	PC 75539C-195					R
8	● MOUNTINGS, No. 1, Aerial Bases No. 9.....	1	Z1	ZA 1765	PC 76419 C		X	X	X	R
9	● MOUNTINGS, Aerial Bases, No. 3, Mk I.....	1	Z1	ZA 1827	PC 76555 C		X	X	X	X
10	● PIECES, Packing, No. 1.....	1	Z1	ZA 2993	PC 90768 C		X	X	X	R
11	● W/S No. 19: AV: Seating Plates, No. 1.....	1	Z1	ZA 10203	PC 76336 C		X	X	X	R
	NOTE: This Kit also includes the following items which are not shown on the diagram.									
	DRAWINGS, Installation, W/S Cdn No. 19, Armoured Car Scout.....	1	Z1	ZA/CAN 1317	PC 76471C-191					X
	INSTRUCTIONS, Installation, W/S Cdn No. 19, Armoured Car Scout.....	1	Z1	ZA/CAN 1310	PC 76471C-192					X
	WIRING LAYOUTS, No. 194, Mk II, W/S Cdn No. 19.....	1	Z1	ZA/CAN 1326	PC 64046C-1911					X
	* Detail 7 includes Disposal Drawings.									
	● These items only are carried in Ordnance as Spares Full designation and V A O S number MUST be quoted on indents									



INSTALLATION KITS, W/S CDN NO. 19, CARRIERS UNIVERSAL, MK I

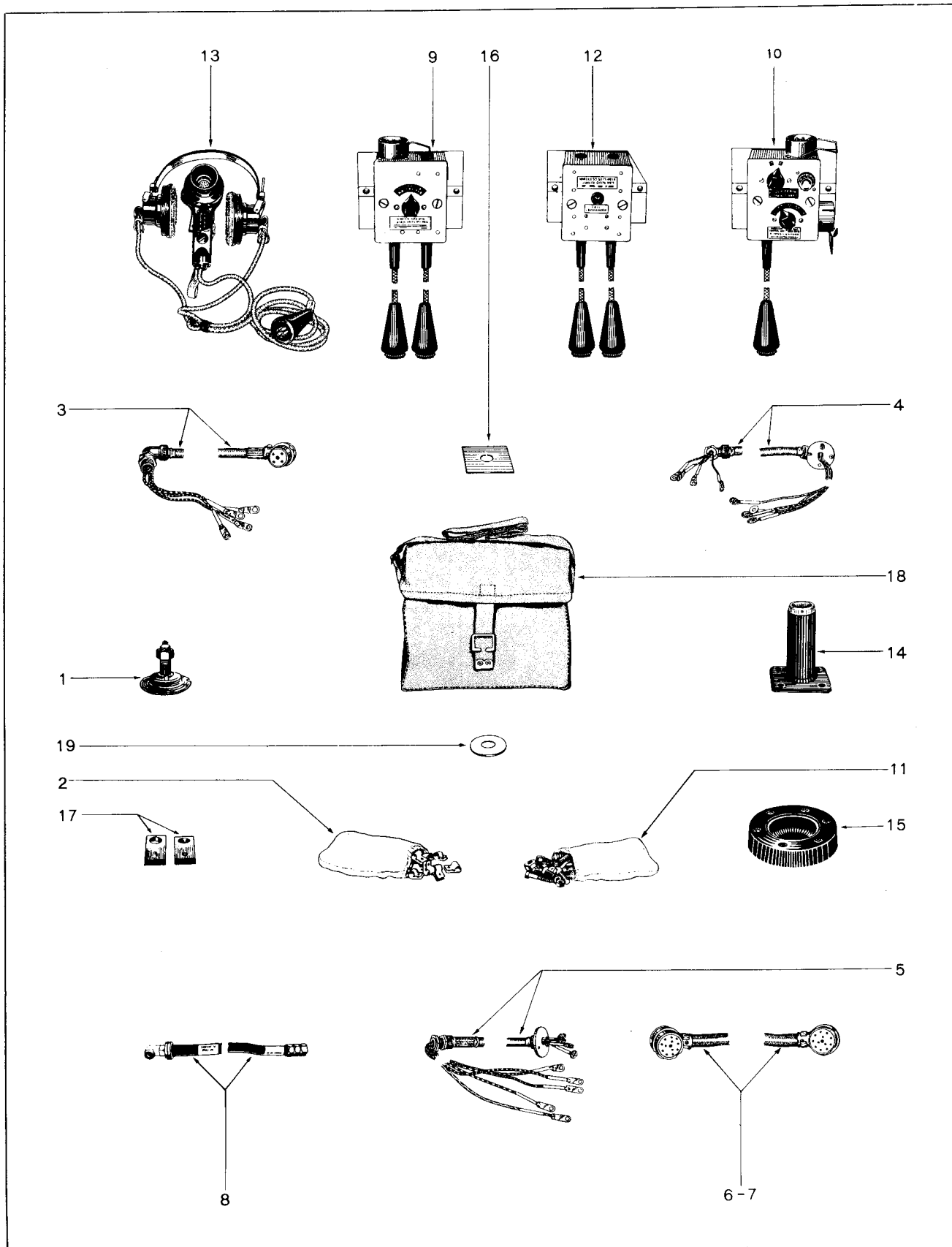
Det. No.	DESIGNATION	No. per Illus.	V. A. O. S.		Manufacturers Number	Cir. Ref.	Repair Schedule				
			Sect.	Number			Unit	Echelon			
								1st	2nd	4th	
INSTALLATION KITS, W/S CDN NO. 19, CARRIERS UNIVERSAL, MK I											
			Z1	ZA/CAN 1466	PC 75546C-191						
	ADAPTOR KITS, W/S Cdn No. 19, Carriers Universal.....		Z1	ZA/CAN 1373	PC 76767C-1921						
1	● BRACKETS, Metal, Mounting, Aerial Base, No. Cl.....	1	Z1	ZA/CAN 1374	PC 76767C-195		X	X		R	
2	● BRACKETS, Metal, Mounting, Variometer, No. Cl.....	1	Z1	ZA/CAN 1376	PC 76767C-193		X	X		R	
3	● BRACKETS, Metal, Mounting and Terminal Block, No. Cl.....	1	Z1	ZA/CAN 1375	PC 76767C-192		X	X		R	
4	● COVERS, Terminal Block, 3.1/2-in. x 1.7/16-in. x 2.1/8-in.....	1	Z1	ZA/CAN 1476	PC 76767C-196		X	R		R	
5	● PADS, Felt, 1-in. x 1-in. x 1-in.....	1	Z1	ZA/CAN 1401	PC 76767C-1920		X	R		R	
6	● PLATES, Metal, Mounting, Carrier Sets, No. Cl.....	1	Z1	ZA/CAN 1378	PC 76767C-194		X	X		R	
7	● PLATES, Metal, Mounting, Control Units No. Cl.....	1	Z1	ZA/CAN 1377	PC 76767C-191		X	X		R	
8	● BLOCKS, Battery Packing, No. 191.....	2	Z1	ZA/CAN 1179	PC 75546C-196		R	R		R	
9	● BLOCKS, Battery Packing, No. 192.....	1	Z1	ZA/CAN 1180	PC 75546C-197		R	R		R	
10	● CARRIERS, Sets, No. 22.....(See Index)	1	Z1	ZA 3103	PC 75465C		X	X		R	
11	● CLAMPS, Cable, Sets, Carriers Universal Mk II.....	1	Z1	ZA/CAN 1245	PC 90779C-195		X	R		R	
12	● CONNECTORS, 6-Point, No. 4B.....(See Index)	1	Z1	ZA/CAN/BR 10282	PC 76442C/B		R	R		R	
13	● CONNECTORS, 12-Point, No. 5A.....(See Index)	1	Z1	ZA/CAN/BR 10252	PC 76947C/A		R	R		R	
14	● CONNECTORS, 12-Point, No. 7A.....(See Index)	1	Z1	ZA/CAN/BR 10254	PC 76943C/A		R	R		R	
15	● CONNECTORS, Co-axial, No. 11.....(See Index)	1	Z1	ZA 3142	PC 76422C		X	R		R	
16	● CONNECTORS, Single, No. 194.....(See Index)	1	Z1	ZA/CAN 1474	PC 76956C-194		R	R		R	
17	● CONNECTORS, Twin, No. 88.....(See Index)	1	Z1	ZA/CAN/BR 10242	PC 76716C		R	R		R	
18	● CONNECTORS, Twin, No. 192.....(See Index)	1	Z1	ZA/CAN 1410	PC 76551C-192		R	R		R	
19	● CONTROL UNITS, No. 1, Mk II.....(See Index)	1	Z1	ZA/CAN/BR 10243	PC 75524C		X	R		R	
20	● CONTROL UNITS, No. 2, Mk II.....(See Index)	1	Z1	ZA/CAN/BR 10358	PC 75732C		X	R		R	
21	● COVERS, Waterproof, W/S Cdn. No. 19, Carriers Universal.....	1	Z1	ZA/CAN 1362	PC 90816C-193		X	X		R	
22	● COVERS, Waterproof, No. Cl.....	1	Z1	ZA/CAN 1076	PC 90674C-191		R	R		R	
23	● HARDWARE SETS, Carriers Universal Mk I.....	1	Z1	ZA/CAN 1217	PC 75546C-195		X	X		R	
24	● MICROPHONE AND RECEIVERS HEADGEAR ASSEMBLIES, No. 1, Cdn.....(See Index)	1	Z1	ZA/CAN/BR 21230	PC 76338C		X	R		R	
25	● MOUNTINGS, No. 1, Aerial Bases No. 9.....	1	Z1	ZA 1765	PC 76419C		X	X		R	
26	● MOUNTINGS, Aerial Bases, No. 3, Mk I.....	1	Z1	ZA 1827	PC 76555C		X	X		R	
27	● PIECES, Packing, No. 1.....	1	Z1	ZA 2993	PC 90768C		X	X		R	
28	● PLATES, Metal, Seating, Aerial Variometer..	1	Z1	ZA/CAN 1075	PC 76336C		X	X		R	
29	● SATCHELS, Signal No. 1.....	1	Z1	ZA 6292	PC 90107 R 11958-1		R	R		R	
30	● WIRELESS SETS, No. 19:- AERIAL FEEDER ASSEMBLIES, No. 7.....	1	Z1	ZA 10220	PC 76566C		X	R		R	
	This Kit also includes the following items which are not shown on the diagram.										
	● BATTERIES, Secondary, Portable, 6-Volt, 100 125-AH, Un-Charged, Cdn.....	2	Z2	ZB/CAN 1386	CMC 65505M						
	● DRAWINGS, Installation, W/S Cdn. No. 19, Carriers Universal.....	1	Z1	ZA/CAN 1324	PC 76478C-191						
	● DRAWINGS, Modification, W/S Cdn. No. 19, Carriers Universal.....	1	Z1	ZA/CAN 1478	CSK-C01UC-100396						
	● INSTRUCTIONS, Installation, W/S Cdn. No. 19 Carriers Universal.....	1	Z1	ZA/CAN 1316	PC 76478C-192						
	● PLATES, Wiring Diagram, Carriers Universal.	1	Z1	ZA/CAN 1074	PC 64463C						
	● These items only are carried in Ordnance as Spares. Full designation and V.A.O.S. number MUST be quoted on indents.										



INSTALLATION KITS, W/S CDN NO. 19, O.P. OR COMMAND TANK, RAM II

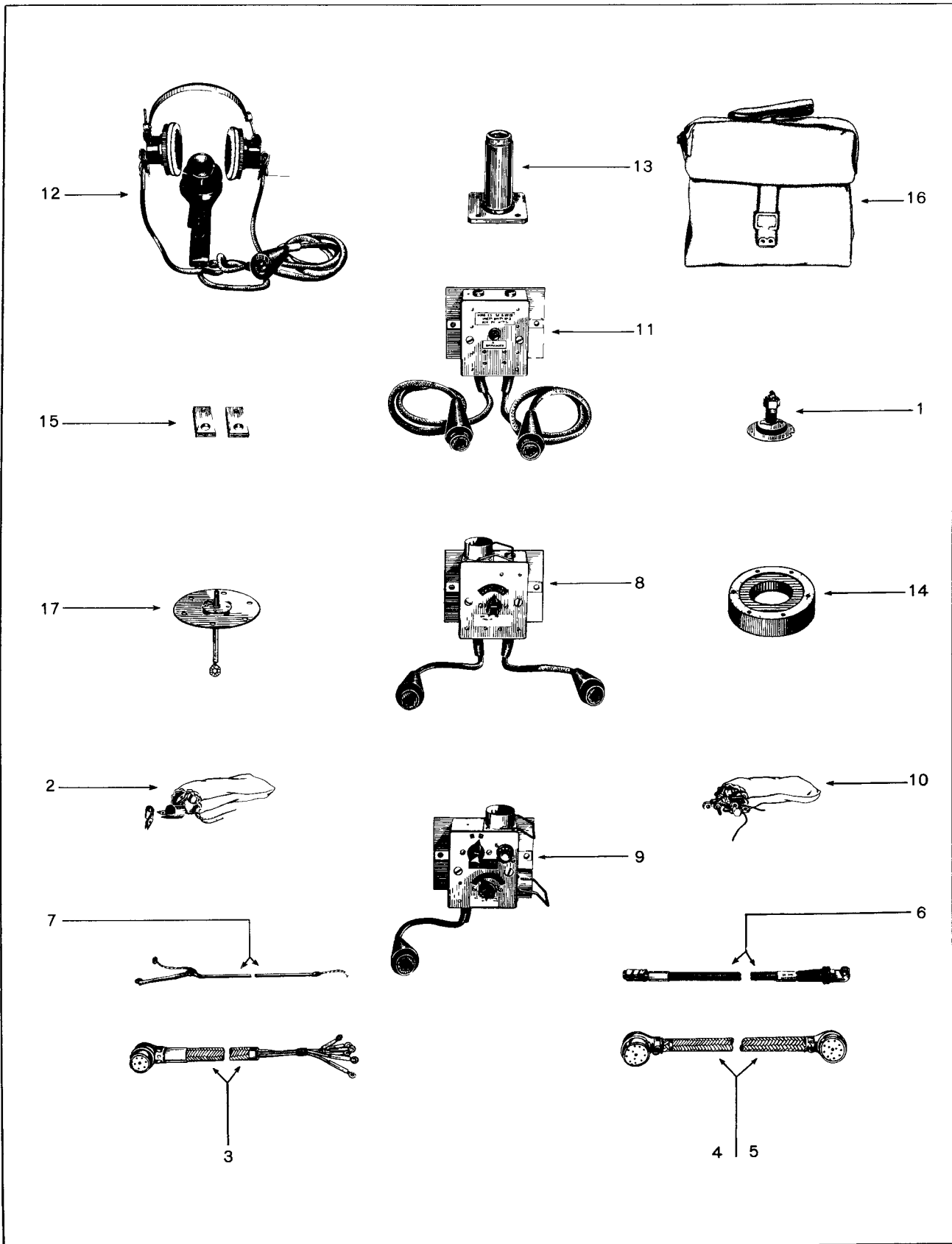
Det No	DESIGNATION	No per illus	V. A. O. S.		Manufacturers Number	Cir Ref	Repair Schedule			
			Sect	Number			Unit	Echelon		
								1st	2nd	4th
	INSTALLATION KITS, W/S CDN NO. 19, O.P. OR COMMAND TANK, RAM II		Z1	ZA/CAN 1462	PC 75547C-191					R
1	● AERIAL FEEDER ASSEMBLIES, No. 3 (See Index)	1	Z1	ZA 2992	PC 76488 C		R	R	R	R
2	● AERIAL FEEDER ASSEMBLIES, No. 5 (See Index)	1	Z1	ZA 2958	PC 76480 C		R	R	R	R
3	● BATTENS, Metal, Distribution, Plugs 12-Point.....	1	Z1	ZA/CAN 1414	PC 75743C-191		R	R	R	R
4	● BOARDS, Wood, Message Pad, Operators, Leg Clamping.....	2	Z1	ZA/CAN 1394	PC 75547C-196		R	R	R	R
5	● CLAMPS, Cable, Sets, OP or Command Tank Ram II.....(See Index)	1	Z1	ZA/CAN 1391	PC 907790-199		X	R	R	R
6	● CONNECTORS, 6-Point, No. 12A....(See Index)	1	Z1	ZA/CAN/BR 10281	PC 76453 C/A		R	R	R	R
7	● CONNECTORS, 6-Point, No. 12A1....(See Index)	1	Z1	ZA/CAN 0802	PC 76453 C/A1		R	R	R	R
8	● CONNECTORS, 12-Point, No. 2A4....(See Index)	1	Z1	ZA/CAN 0901	PC 76444 C/A4		R	R	R	R
9	● CONNECTORS, 12-Point, No. 3A1....(See Index)	1	Z1	ZA/CAN 0904	PC 76445 C/A1		R	R	R	R
10	● CONNECTORS, 12-Point, No. 3C....(See Index)	1	Z1	ZA/CAN/BR 1907	PC 76445 C/C		R	R	R	R
11	● CONNECTORS, 12-Point, No. 4A2....(See Index)	1	Z1	ZA/CAN 0912	PC 76446 C/A2		R	R	R	R
12	● CONNECTORS, 12-Point, No. 4C....(See Index)	1	Z1	ZA/CAN/BR 10278	PC 76446 C/C		R	R	R	R
13	● CONNECTORS, 12-Point, No. 9A1....(See Index)	1	Z1	ZA/CAN 0929	PC 76447 C/A1		R	R	R	R
14	● CONNECTORS, 12-Point, No. 11A....(See Index)	1	Z1	ZA/CAN/BR 10205	PC 76559 C/A		R	R	R	R
15	● CONNECTORS, Co-Axial, No. 11....(See Index)	1	Z1	ZA 3142	PC 76422 C		X	R	R	R
16	● CONNECTORS, Single, No. 195....(See Index)	1	Z1	ZA/CAN 1451	PC 76956C-195		R	R	R	R
17	● CONTROL UNITS, No. 1, Mk II....(See Index)	1	Z1	ZA/CAN/BR 10243	PC 75524 C		X	R	R	R
18	● CONTROL UNITS, No. 2, Mk II....(See Index)	4	Z1	ZA/CAN/BR 10358	PC 75732 C		X	R	R	R
19	● HARDWARE SETS, OP or Command Tank Ram II, (Including Disposal Drawings).....	1	Z1	ZA/CAN 1388	PC 75547C-195					R
20	● JUNCTIONS, Distribution, No. 3..(See Index)	1	Z1	ZA/CAN/BR 10244	PC 75523 C		X	R	R	R
21	● MICROPHONE AND RECEIVERS HEADGEAR ASSEMBLIES, No. 1, Cdn.....	3	Z1	ZA/CAN/BR 21230	PC 76338 C		X	R	R	R
22	● MOUNTINGS, No. 1, Aerial Bases No. 9.....	1	Z1	ZA 1765	PC 76419 C		X	X	X	X
23	● MOUNTINGS, Aerial Bases, No. 3, Mk I.....	2	Z1	ZA 1827	PC 76555 C		X	X	X	X
24	● PIECES, Packing, No. 1.....	1	Z1	ZA 2993	PC 90768 C		X	X	X	R
25	● W/S No. 19, AV Plates Packing no. 1.....	2	Z1	ZA 2948	PC 76552 C		X	X	X	R
26	● W/S No. 19: AV: Seating Plates, No. 1.....	1	Z1	ZA 10203	PC 76336 C		X	X	X	R
27	● SATCHELS, Signal, No. 1.....	2	Z1	ZA 6292	[R 11958-1 PC 90107		X	R	R	R
28	● SLEEVING, Sponge-Rubber, 3/4-in. OD, 1.1/2-in. long.....	2	Z1	ZA/CAN 0326	PC 90653 C		X	X	X	X
29	● WIRELESS REMOTE CONTROL UNITS, Cdn, No. 1.....(See Index)	2	Z1	ZA/CAN 1332	PC 82506C-190		X	R	R	R
30	● WIRELESS SETS NO. 19:- AERIAL FEEDERS:- CONNECTOR PLATES NO. 1.....	1	Z1	ZA 10204	PC 76344 C		X	R	R	R
	NOTE:- This kit also includes the following items which are not shown on the dia- gram.									
	● DRAWINGS, Installation, W/S Cdn No. 19, Command Tank (Ram).....	1	Z1	ZA/CAN 1472	PC 76725C-191		X	X	X	X
	● INSTRUCTIONS, Installation, W/S Cdn No. 19, Command Tank (Ram).....	1	Z1	ZA/CAN 1471	PC 76725C-192		X	X	X	X
	● STRIPS, Phenolic, Switch Designation, No. C1.....	1	Z1	ZA/CAN 1459	PC 75547C-198		X	X	X	R
	● WIRING LAYOUTS, No. 196, W/S Cdn No. 19....	2	Z1	ZA/CAN 1470	PC 76725C-196		X	X	X	X

● These items only are carried in Ordnance
as Spares Full designation and V A O S
number MUST be quoted on indents



INSTALLATION KITS, W/S CDN NO. 19, TANKS, GRIZZLY 1

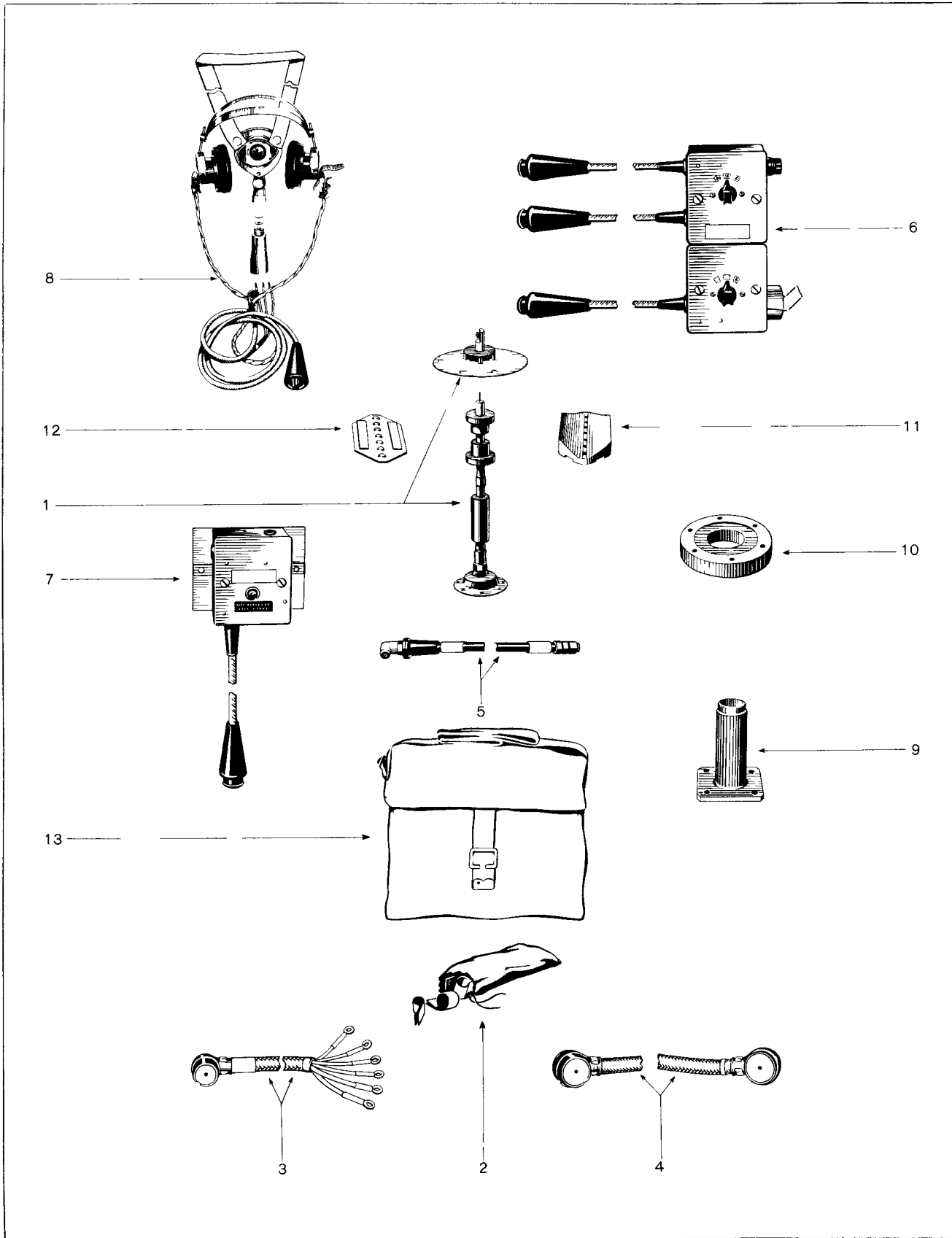
Det No	DESIGNATION	No per Illus	V. A. O. S.		Manufacturers Number	Cir Ref	Repair Schedule				
			Sect	Number			Unit	Echelon			
								1st	2nd	4th	
	INSTALLATION KITS, W/S CDN NO. 19, TANKS, GRIZZLY 1		Z1	ZA/CAN 1463	PC 75655C-191						R
1	AERIAL FELDER ASSEMBLIES, No. 4.(See Index)	1	Z1	ZA 2957	PC 76479 C						R
2	CLAMPS, Cable, Sets, Grizzly I..(See Index)	1	Z1	ZA/CAN 1241	PC 90779C-202						R
3	● CONNECTORS, 4-Point, No. 40, Mk I.....(See Index)	1	Z1	ZA/CAN/BR 10509	PC 84284		X	R	R		R
4	● CONNECTORS, 4-Point, No. 41.....(See Index)	1	Z1	ZA/CAN/BR 10512	PC 84285 C		X	R	R		R
5	● CONNECTORS, 5-Point, No. 14.....(See Index)	1	Z1	ZA/CAN/BR 10513	PC 84281 C		R	R	R		R
6	● CONNECTORS, 12-Point, No. 9A1...(See Index)	1	Z1	ZA/CAN 0929	PC 76447C/A1		R	R	R		R
7	● CONNECTORS, 12-Point, No. 19A...(See Index)	1	Z1	ZA/CAN/BR 10511	PC 76013C/A		R	R	R		R
8	● CONNECTORS, Co-Axial, No. 11.....(See Index)	1	Z1	ZA 3142	PC 76422 C		X	R	R		R
9	● CONTROL UNITS, No. 1, Mk II.....(See Index)	1	Z1	ZA/CAN/BR 10243	PC 15524 C		X	R	R		R
10	● CONTROL UNITS, No. 2, Mk II.....(See Index)	1	Z1	ZA/CAN/BR 10358	PC 75732 C		X	R	R		R
11	HARDWARE SETS, Tanks Grizzly I (Includes Disposal Drawings).....	1	Z1	ZA/CAN 1210	PC 75655C-195						R
12	● JUNCTIONS, Distribution, No. 3..(See Index)	1	Z1	ZA/CAN/BR 10244	PC 75523 C		X	R	R		R
13	● MICROPHONE AND RECEIVERS HEADGEAR ASSEMBLIES, No. 1, Cdn.....(See Index)	3	Z1	ZA/CAN/BR 21230	PC 76338 C		X	R	R		R
14	● MOUNTINGS, No. 1, Aerial Bases No. 9.....	1	Z1	ZA 1765	PC 76419 C		X	X	R		R
15	● MOUNTINGS, Aerial Bases, No. 1, Mk I.....	1	Z1	ZA 1825	PC 76456 C		X	X	R		R
16	● PLATES, Adaptor, Aerial Variometer.....	1	Z1	ZA/CAN 1231	PC 76476C-193		X	R	R		R
17	● W/S No. 19: AV: Plates, Packing, No. 1.....	1	Z1	ZA 2948	PC 76552 C		X	X	R		R
18	● SATCHELS, Signal, No. 1.....	2	Z1	ZA 6292	PC 90107 R 11958-1		X	R	R		R
19	WASHERS, Steel, 2-in. OD, 3/4-in. ID, 0.125-in.....	1	Z1	ZA/CAN 1232	PC 76476C-197						R
	NOTE: This kit also includes the following items not shown on the diagram.										
	● DRAWINGS, Installation, W/S Cdn No. 19, Grizzly.....	1	Z1	ZA/CAN 1323	PC 76476C-191		X	X	X		X
	● INSTRUCTIONS, Installation, W/S Cdn No. 19, Grizzly.....	1	Z1	ZA/CAN 1315	PC 76476C-192		X	X	X		X
	● PLATES, Wiring Diagram, Grizzly.....	1	Z1	ZA/CAN 1073	PC 64545 C		X	X	Y		Y
	● PRINTS, Wiring Diagram, Grizzly.....	1	Z1	ZA/CAN 1765	PC 64545C-191		X	X	X		X
	● These items only are carried in Ordnance as Spares Full designation and V A O S number MUST be quoted on indents										



INSTALLATION KITS, W/S CDN NO. 19, TANKS, RAM II

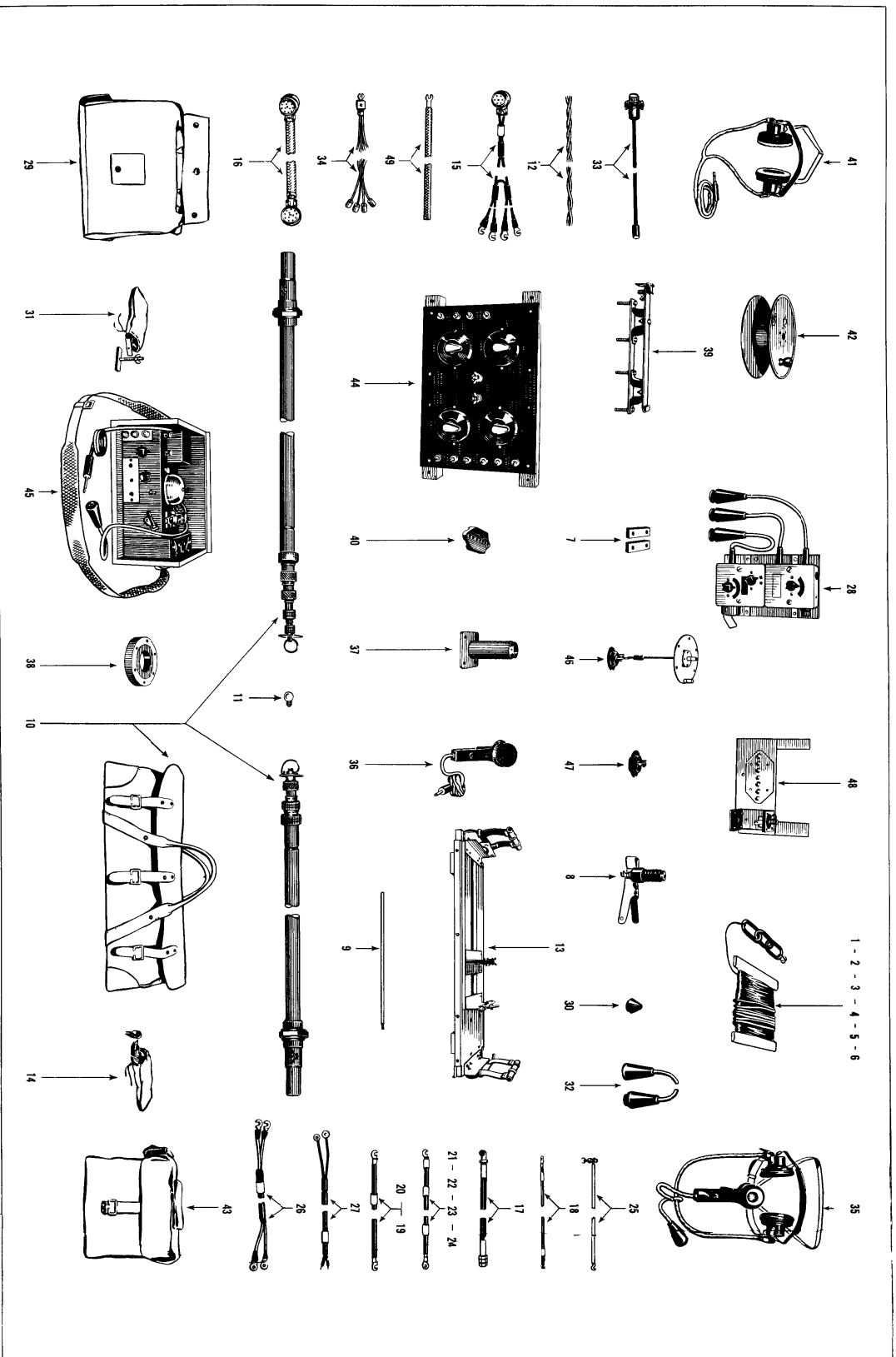
Det. No.	DESIGNATION	No. per Illus.	V. A. O. S.		Manufacturers Number	Cir. Ref.	Repair Schedule						
			Sect.	Number			Unit	Echelon					
								1st	2nd	4th			
	INSTALLATION KITS, W/S CDN NO. 19, TANKS, RAM II												
			Z1	ZA/CAN 1464	PC 75545C-191								R
1	● AERIAL FEEDER ASSEMBLIES, No. 5 (See Index)	1	Z1	ZA 2958	PC 76480 C		X	X					R
2	CLAMPS, Cable, Sets, Ram Tank II..... (See Index)	1	Z1	ZA/CAN 1251	PC 90779C-194								R
3	● CONNECTORS, 6-Point, No. 12A... (See Index)	1	Z1	ZA/CAN/BR 10281	PC 76453 C/A		R	R					R
4	CONNECTORS, 12-Point, No. 3B... (See Index)	1	Z1	ZA/CAN/BR 1899	PC 76445 C/B								R
5	CONNECTORS, 12-Point, No. 4C... (See Index)	1	Z1	ZA/CAN/BR 10278	PC 76446 C/C								R
6	● CONNECTORS, Co-Axial, No. 11... (See Index)	1	Z1	ZA 3142	PC 76422 C		X	R					R
7	CONNECTORS, Single, No. 193... (See Index)	1	Z1	ZA/CAN 1450	PC 76956C-193		R	R					R
8	● CONTROL UNITS, No. 1, Mk II... (See Index)	1	Z1	ZA/CAN/BR 10243	PC 75524 C		X	R					R
9	● CONTROL UNITS, No. 2, Mk II... (See Index)	1	Z1	ZA/CAN/BR 10358	PC 75732 C		X	R					R
10	HARDWARE SETS, Tanks Ram II (Including Disposal Drawings).....	1	Z1	ZA/CAN 1236	PC 75545C-195								R
11	● JUNCTIONS, Distribution, No. 3. (See Index)	2	Z1	ZA/CAN/BR 10244	PC 75523 C		X	R					R
12	● MICROPHONE AND RECEIVERS HEADGEAR ASSEMBLIES, No. 1, Cdn.... (See Index)	3	Z1	ZA/CAN/BR 21230	PC 76338 C		X	R					R
13	● MOUNTINGS, No. 1, Aerial Bases No. 9.....	1	Z1	ZA 1765	PC 76419 C		X	X					R
14	● MOUNTINGS, Aerial Bases, No. 3, Mk I.....	1	Z1	ZA 1827	PC 76555 C		X	X					X
15	W/S No. 19: AV: Plates, Packing, No. 1.....	2	Z1	ZA 2948	PC 76552 C		X	X					R
16	● SATCHELS, Signal, No. 1.....	2	Z1	ZA 6292	PC 90107 R 11958-1		X	R					R
17	WIRELESS SETS, NO. 19:- AERIAL FEEDER:- CONNECTOR PLATES, No. 1.....	1	Z1	ZA 10204	PC 76344 C								R
	NOTE: This kit also includes the following items which are not shown on the diagram.												
	DRAWINGS, Installation, W/S Cdn No. 19, Ram Tank.....	1	Z1	ZA/CAN 1321	PC 76477C-191		X	X					X
	INSTRUCTIONS, Installation, W/S Cdn No. 19, Ram Tank.....	1	Z1	ZA/CAN 1313	PC 76477 C-192		X	X					X
	WIRING LAYOUTS, No. 191, Mk II, W/S Cdn No. 19.....	1	Z1	ZA/CAN 1329	PC 90813C-1911		X	X					X

● These items only are carried in Ordnance as Spares. Full designation and V.A.O.S. number MUST be quoted on indents



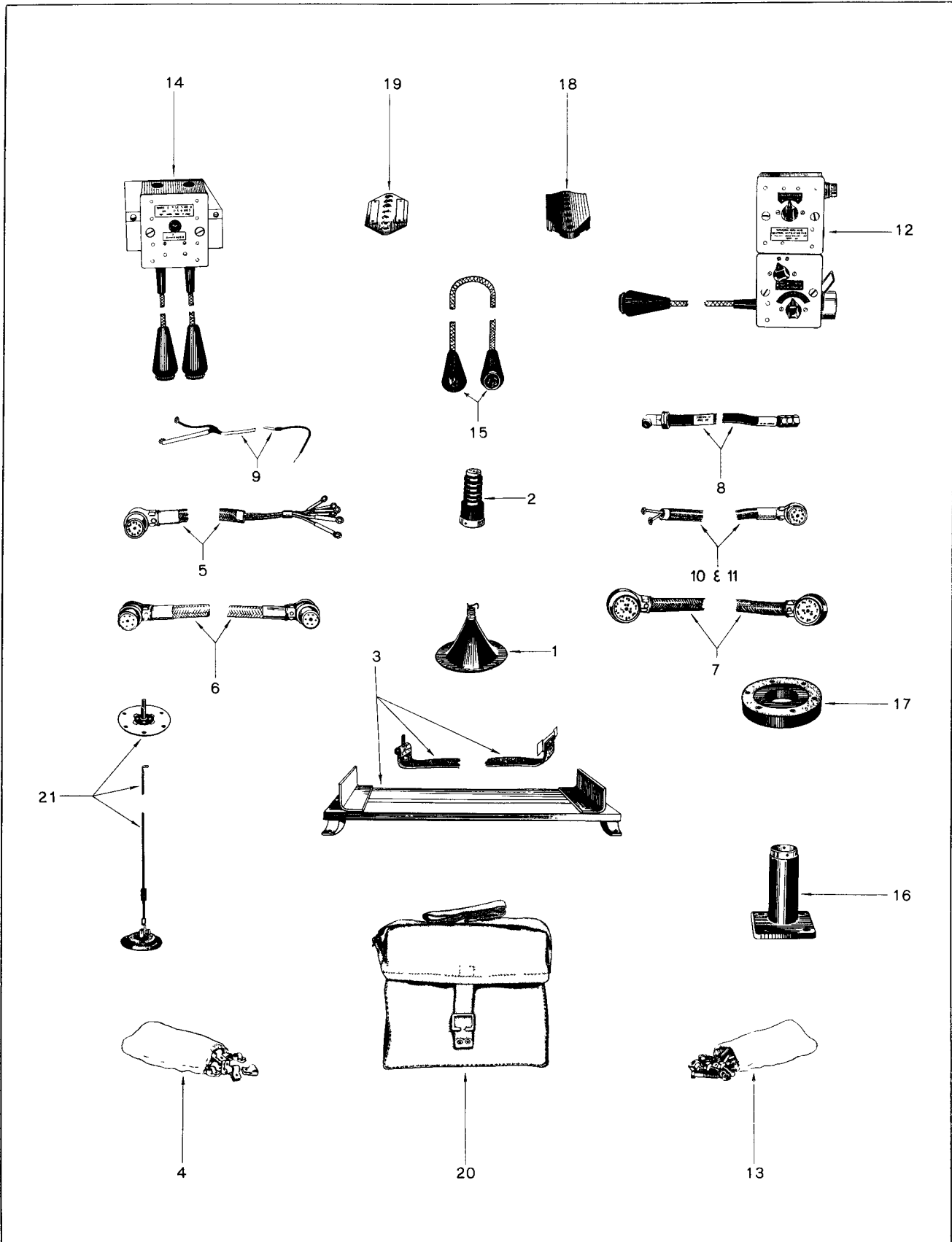
INSTALLATION KITS, W/S CDN NO. 19, TANKS, VALENTINE VII

Det No	DESIGNATION	No per Illus	V. A. O. S.		Manufacturers Number	Cir Ref	Repair Schedule				
			Sect	Number			Unit	Echelon			
								1st	2nd	4th	
	INSTALLATION KITS, W/S CDN NO. 19, TANKS, VALENTINE VII		Z1	ZA/CAN 1467	PC 75543C-1911						
1	● AERIAL FEEDER ASSEMBLIES, No. 2..(See Index)	1	Z1	ZA 2991	PC 76487 C		X	X	R		
2	CLAMPS, Cable, Sets, Valentine Tank.....(See Index)	1	Z1	ZA/CAN 1252	PC 90779C-197		X	R	R		
3	● CONNECTORS, 6-Point, No. 8A.....(See Index)	1	Z1	ZA/CAN/BR 1889	PC 76451 C/A		R	R	R	R	
4	● CONNECTORS, 12-Point, No. 1A.....(See Index)	1	Z1	ZA/CAN/BR 1786	PC 76443 C/A		R	R	R	R	
5	● CONNECTORS, Co-Axial, No. 11.....(See Index)	1	Z1	ZA 3142	PC 76422 C		X	R	R		
6	CONTROL UNITS, No. 3A, Mk I.....(See Index)	1	Z1	ZA/CAN/BR 10267	PC 75520 C				R	R	
7	● JUNCTIONS, Distribution, No. 1... (See Index)	1	Z1	ZA/CAN/BR 3100	PC 75458 C		X	R	R		
8	● MICROPHONE & RECEIVERS HEADGEAR ASSEMBLIES, No. 2, Cdn.....(See Index)	2	Z1	ZA/CAN/BR 21231	PC 76339 C		X	R	R		
9	● MOUNTINGS, No. 1, Aerial Bases No. 9.....	1	Z1	ZA 1765	PC 76419 C		X	X	R		
10	● MOUNTINGS, Aerial Bases, No. 3, Mk I.....	1	Z1	ZA 1827	PC 76555 C		X	R	R		
11	● PIECES, Packing, No. 1.....	1	Z1	ZA 2993	PC 90768 C		X	X	R		
12	● W/S No. 19: AV: Seating Plates, No. 1.....	1	Z1	ZA 10203	PC 76336 C		X	X	R		
13	● SATCHELS, Signal, No. 1.....	2	Z1	ZA 6292	PC 90107 R 11958-1		X	R	R		
	This kit also includes the following items which are not shown on the diagram.										
	● DRAWINGS, Installation, W/S Cdn. No. 19, Valentine Tank.....	1	Z1	ZA/CAN 1319	PC 76475 C		X	X	X		
	WIRING LAYOUTS, No. 9, Mk I, W/S Cdn. No. 19.	1	Z1	ZA 10268	PC 64047 C					X	
	HARDWARE										
	● SCREWS, BA, Steel, Csk H, No. 2 x 1/2-in.....	5	Z2	ZB/CAN 3144	R 11708-8		X	X	R		
	● SCREWS, BSF, Steel, Csk H, 1/4-26 x 1-in. Special.....	4	Z1	ZA/CAN 1363	PC 32172 C					R	
	SCREWS, Self-Tapping, P-K Type Z,RH, No. 6 x 3/8-in.....	3	Z2	ZB/CAN 3451	PC 90707C-193						
	● These items only are carried in Ordnance as Spares Full designation and V A O S number MUST be quoted on indents										



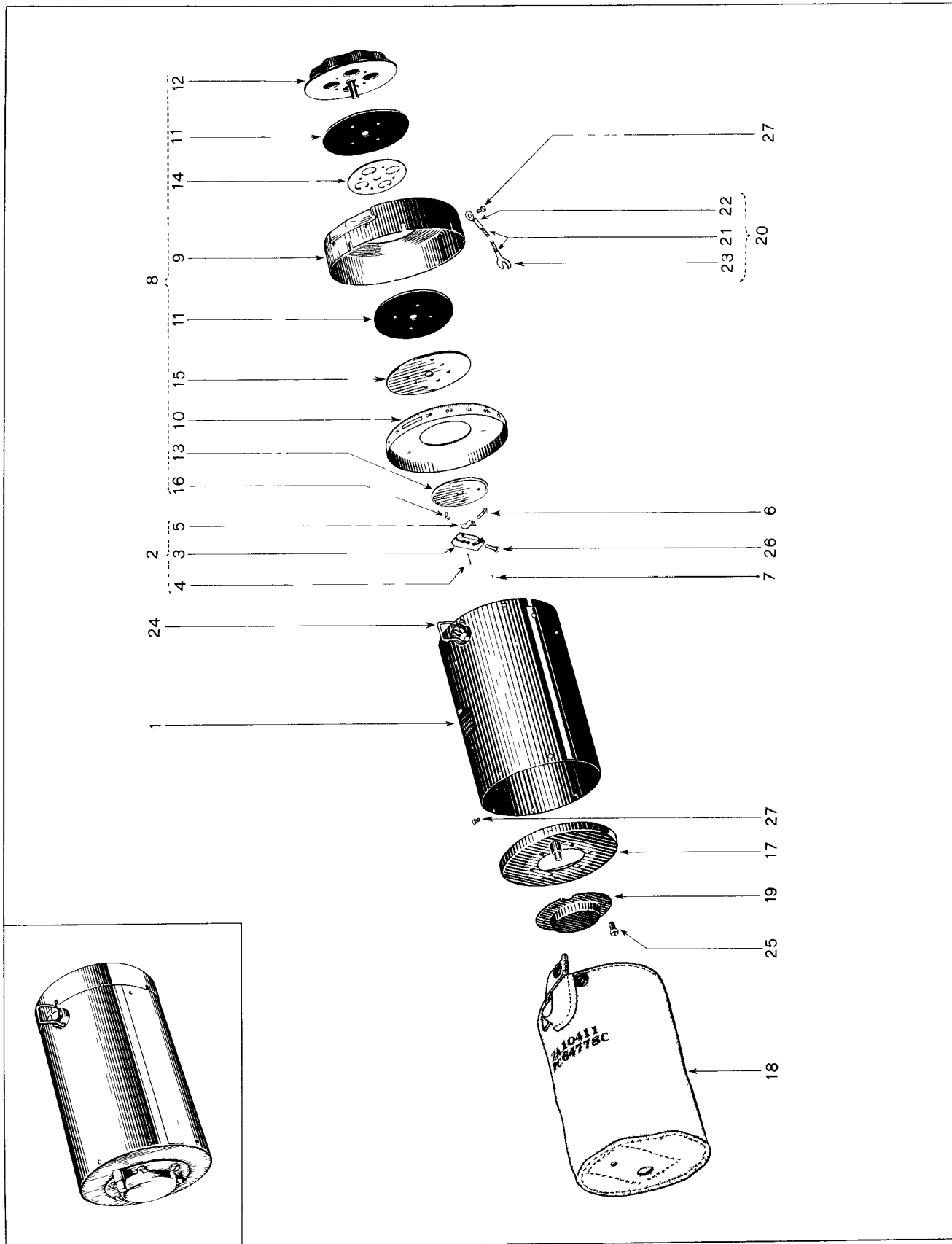
INSTALLATION KITS, W/S CDN NO. 19, TRUCK AND GROUND

Det. No.	DESIGNATION	No. per Illus.	V. A. O. S.		Manufacturers Number	Cir. Ref.	Repair Schedule			
			Sect.	Number			Unit	Echelon		
								1st	2nd	4th
INSTALLATION KITS, W/S CDN NO. 19, TRUCK AND GROUND										
			Z1	ZA/CAN 1468	PC 756530-191					R
1	● AERIALS, 70-Ft., No. 1.....(See Index)	1	Z1	ZA 11530	PC 64476			R	R	R
2	● AERIALS, 90-Ft., No. 1.....(See Index)	1	Z1	ZA 11531	PC 64475			R	R	R
3	● AERIALS, 110-Ft., No. 1.....(See Index)	1	Z1	ZA 11532	PC 64474			R	R	R
4	● AERIALS, 150-Ft., No. 2.....(See Index)	1	Z1	ZA 11533	PC 4473			R	R	R
5	● AERIALS, 185-Ft., No. 1.....(See Index)	1	Z1	ZA 11534	PC 4472			R	R	R
6	● AERIALS, 250-Ft., No. 1.....(See Index)	1	Z1	ZA 11535	PC 4471			R	R	R
7	● AERIAL BASES, No. 9:- PACKING PLATES.....	2	Z1	ZA 10215	PC 45894 C			X	R	R
8	● AERIAL BASES, No. 9A.....(See Index)	1	Z1	ZA 10322	PC 76703 C			X	R	R
9	● ANTENNAE RODS "G":- SECTIONS.....	1	Z1	ZA 1771	PC 90767 C			X	X	R
10	● ANTENNAE, Vertical, 34-Ft., Steel, Canadian, Telescopic.....(See Index)	1	Z1	ZA/CAN 0790	PC 82495C-190			X	R	R
11	● BULBS, 6-Volt, Miniature, 0.2-Amps.....	2	W2	WB/CAN 1082	PC 64521 C		X	X	X	X
12	● CABLE, Electric, CD8C/2, Twisted (1/6-Mile)		W2	WB/CAN 4005				R	R	R
13	● CARRIERS, Sets, No. 23.....(See Index)	1	Z1	ZA 10315	PC 82507			X	X	R
14	● CLAMPS, Cable, Sets, Truck and Ground.....(See Index)	1	Z1	ZA/CAN 1253	PC 90779 C/S			X	R	R
15	● CONNECTORS, 4-Point, No. 32.....(See Index)	1	Z1	ZA/CAN/BR 10311	PC 82494 C				R	R
16	● CONNECTORS, 12-Point, No. 1E.....(See Index)	1	Z1	ZA/CAN/BR 10323	PC 76443 C/E			R	R	R
17	● CONNECTORS, Co-Axial, No. 11A.....(See Index)	2	Z1	ZA 3143	PC 76460 C			ER	R	R
18	● CONNECTORS, Single, No. 7C.....(See Index)	1	Z1	ZA 10318	PC 82524 C			R	R	R
19	● CONNECTORS, Single, No. 23.....(See Index)	1	Z1	ZA 1949	PC 64478 C			R	R	R
20	● CONNECTORS, Single, No. 23A.....(See Index)	1	Z1	ZA 1951	PC 64479 C			R	R	R
21	● CONNECTORS, Single, No. 24.....(See Index)	1	Z1	ZA 1952	PC 64480 C			R	R	R
22	● CONNECTORS, Single, No. 24A.....(See Index)	1	Z1	ZA 1953	PC 64481 C			R	R	R
23	● CONNECTORS, Single, No. 24B.....(See Index)	1	Z1	ZA 1954	PC 64482 C			R	R	R
24	● CONNECTORS, Single, No. 24C.....(See Index)	1	Z1	ZA 1955	PC 64483 C			R	R	R
25	● CONNECTORS, Single, No. 33.....(See Index)	1	Z1	ZA 10320	PC 82516 C			R	R	R
26	● CONNECTORS, Twin, No. 53.....(See Index)	1	Z1	ZA 2794	PC 64484 C			R	R	R
27	● CONNECTORS, Twin, No. 77.....(See Index)	1	Z1	ZA/CAN/BR 10210	PC 76350 C			R	R	R
28	● CONTROL UNITS, No. 3B, Mk II.....(See Index)	1	Z1	ZA/CAN/BR 10361	PC 75735 C			X	X	R
29	● COVERS, Waterproof, No. 5.....	1	Z1	ZA 10317	PC 64418 C			X	X	R
30	● GROMMETS, Rubber, No. 23.....	1	Z1	ZA 10394	PC 64516			X	X	X
31	● HARDWARE SETS, Truck and Ground (Including Disposal Drawings).....	1	Z1	ZA/CAN 1256	PC 756530-195			X	X	R
32	● JUMPER LEADS, No. 1.....	1	Z1	ZA 10211	PC 76788 C			R	R	R
33	● LAMPS, Operator, No. 6.....(See Index)	1	Z1	ZA 11521	RCA 110077-501			R	R	R
34	● LEADS, Counterpoise, No. 2, Mk II.....(See Index)	1	Z1	ZA 2784	PC 64477 C			R	R	R
35	● MICROPHONE AND RECEIVERS HEADGEAR ASSEMBLIES, No. 1, Cdn.....(See Index)	1	Z1	ZA/CAN/BR 21230	PC 76338 C			X	R	R
36	● MICROPHONES, Hand, No. 3.....(See Index)	2	Z1	ZA/CAN/BR 5371	RCA 105465-501			X	X	R
37	● MOUNTINGS, No. 1, Aerial Bases No. 9.....	1	Z1	ZA 1765	PC 76419 C			X	X	R
38	● MOUNTINGS, Aerial Bases, No. 3, Mk I.....	1	Z1	ZA 1827	PC 76555 C			X	X	R
39	● MOUNTINGS, Carriers, No. 1.....	2	Z1	ZA 10316	PC 82508 C			X	X	R
40	● PIECES, Packing, No. 1.....	1	Z1	ZA 2993	PC 90768 C			R	R	R
41	● RECEIVER AND HEADGEAR ASSEMBLIES, F.L.R.....(See Index)	2	Z1	ZA/CAN 1637	PC 64491 C-190			X	R	R
42	● REELS, Cable, No. 2, Mk II.....	1	W2	WB 0815	PC 64486			X	X	R
43	● SATCHELS, Signal, No. 1.....	3	Z1	ZA 6292	PC 90107 R 11958-1			X	X	R
44	● SWITCHBOARDS, Charging, No. C5, Canadian.....(See Index)	1	Z2	ZB/CAN/BR 0183	RCA 101975-501			X	R	R
45	● WIRELESS REMOTE CONTROL UNITS, Cdn, No. 1.....(See Index)	2	Z1	ZA/CAN 1332	PC 82506C-190			X	R	R
46	● WIRELESS SETS, NO. 19:- AERIAL FEEDER ASSEMBLIES, No. 9.....(See Index)	1	Z1	ZA 10312	PC 76697 C			X	R	R
47	● AERIAL VARIOMETER:- PLATES, Adaptor, No. 2.....	1	Z1	ZA 10313	PC 76696 C			X	R	R
48	● SEATING PLATES, No. 4.....	1	Z1	ZA 10314	PC 82509			X	R	R
49	● LEADS, Earth, No. 2.....	1	Z1	ZA 10319	PC 47469 C			R	R	R
NOTE: This kit also includes the following items which are not shown on the diagram.										
	● DRAWINGS, Installation, W/S Cdn No. 19, Truck and Ground.....	1	Z1	ZA/CAN 1325	PC 76728 C			X	X	X
	● WIRING LAYOUTS, No. 12, Mk II, W/S Cdn No. 19.....	1	Z1	ZA 10349	PC 64467 C			X	X	X
● These items only are carried in Ordnance as Spares. Full designation and V.A.O.S. number MUST be quoted on indents.										



INSTALLATION KITS, W/S CDN NO. 19, 25 PDR, S.P. (SEXTON)

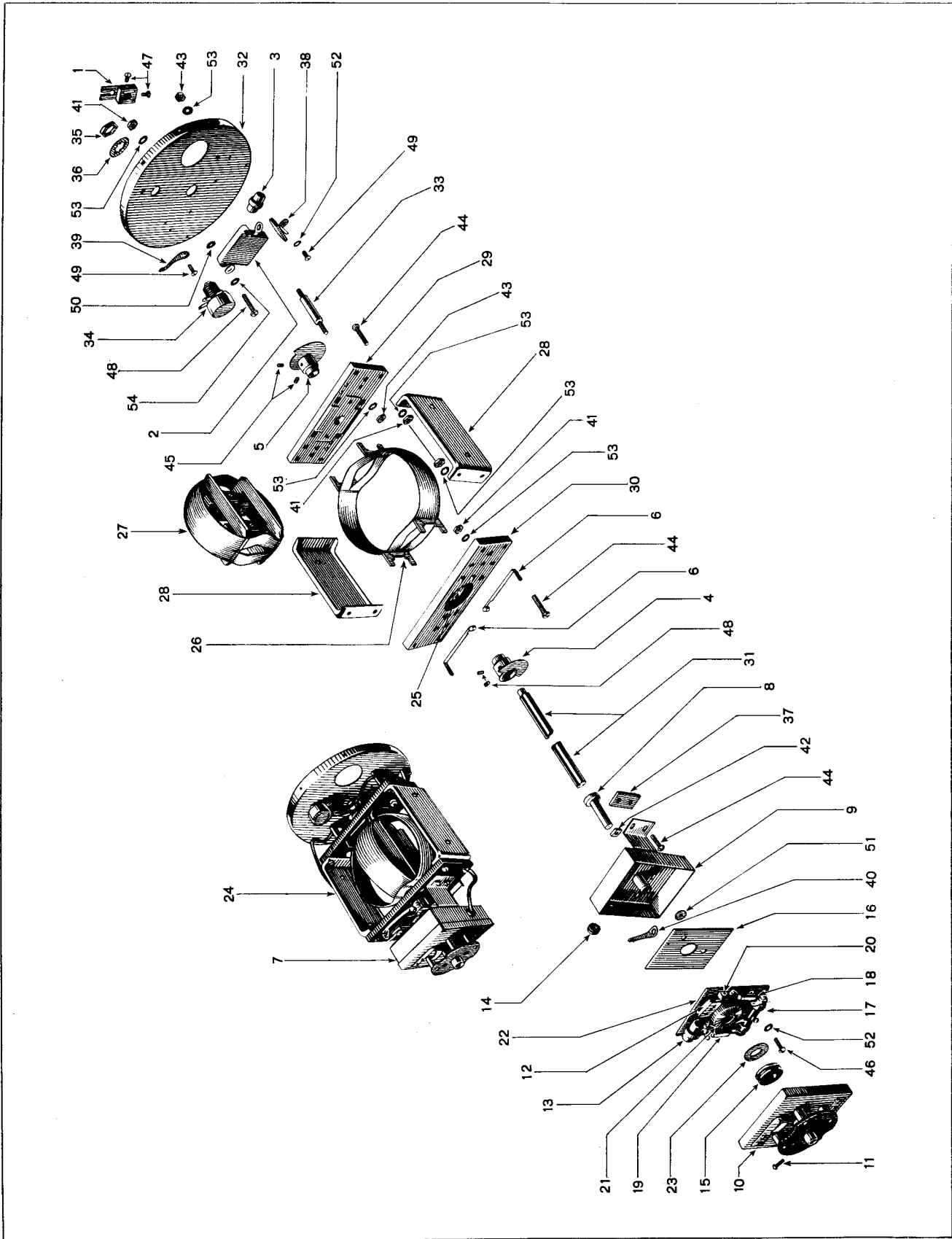
Det. No.	DESIGNATION	No. per Illus.	V. A. O. S.		Manufacturers Number	Cir. Ref.	Repair Schedule				
			Sect.	Number			Unit	Echelon			
								1st	2nd	4th	
	INSTALLATION KITS, W/S CDN NO. 19, 25 PDR, S.P. (SEXTON)		Z1	ZA/CAN 1469	PC 75669 C						R
1	● AERIAL BASES, No. 8, Mk I.....	2	Z1	ZA 1763	PC 76387 C		X	X			R
2	● AERIAL BASES, No. 9.....	2	Z1	ZA 1764	PC 75525 C		X	X			R
3	● CARRIERS, Sets, No. 22.....(See Index)	1	Z1	ZA 3103	PC 75465 C		X	X			R
4	● CLAMPS, Cable, Sets, 25-Pdr. S.P. (Sexton).....(See Index)	1	Z1	ZA/CAN 1237	PC 90779C-198		X	R			R
5	● CONNECTORS, 6-Point, No. 4B.....(See Index)	1	Z1	ZA/CAN/BR 10282	PC 76442 C/B		R	R			R
6	● CONNECTORS, 6-Point, No. 8A.....(See Index)	1	Z1	ZA/CAN/BR 1889	PC 76451 C/A		R	R			R
7	● CONNECTORS, 12-Point, No. 3D.....(See Index)	1	Z1	ZA/CAN/BR 1908	PC 76445 C/D		R	R			R
8	● CONNECTORS, Co-Axial, No. 11.....(See Index)	1	Z1	ZA 3142	PC 76422 C		ER	R			R
9	● CONNECTORS, Single, No. 195.....(See Index)	2	Z1	ZA/CAN 1451	PC 76956C-195		R	R			R
10	● CONNECTORS, Twin, No. 193.....(See Index)	1	Z1	ZA/CAN 1439	PC 76551C-193		R	R			R
11	● CONNECTORS, Twin, No. 194.....(See Index)	1	Z1	ZA/CAN 1443	PC 76551C-194		R	R			R
12	● CONTROL UNITS, No. 190, Mk II.....(See Index)	1	Z1	ZA/CAN 0813	PC 75733C-190		X	R			R
13	● HARDWARE SETS, 25-Pdr. S.P. (Sexton) (Includes Disposal Drawings).....	1	Z1	ZA/CAN 1209	PC 75669C-195		X	X			R
14	● JUNCTIONS, Distribution, No. 3.....(See Index)	1	Z1	ZA/CAN/BR 10244	PC 75523 C		X	R			R
15	● JUMPER LEADS, No. 1.....	1	Z1	ZA 10211	PC 76788 C		X	R			R
16	● MOUNTINGS, No. 1, Aerial Bases No. 9.....	2	Z1	ZA 1765	PC 76419 C		X	X			R
17	● MOUNTINGS, Aerial Bases, No. 3, Mk I.....	1	Z1	ZA 1827	PC 76555 C		X	R			R
18	● PIECES, Packing, No. 1.....	1	Z1	ZA 2993	PC 90768 C		X	R			R
19	● PLATES, Metal, Seating, Aerial Variometer..	1	Z1	ZA/CAN 1075	PC 76336 C		X	X			R
20	● SATCHELS, Signal, No. 1.....	1	Z1	ZA 6293	PC 90107 R 11958-1		X	R			R
21	● WIRELESS SETS, NO. 19:- AERIAL FEEDER ASSEMBLIES, No. 7.....	1	Z1	ZA 10220	PC 76566 C		X	R			R
	NOTE: This kit also includes the following items which are not shown on the diagram,										
	● DRAWINGS, Installation, W/S Cdn No. 19, 25-Pdr. S.P.....	1	Z1	ZA/CAN 1322	PC 76749C-191		X	X			X
	● INSTRUCTIONS, Installation, W/S Cdn No. 19, 25-Pdr. S.P.....	1	Z1	ZA/CAN 1314	PC 76749C-192		X	X			X
	● WIRING LAYOUTS, No. 195, Mk II, W/S Cdn No. 19.....	1	Z1	ZA/CAN 1330	PC 76749C-195		X	X			X
	● These items only are carried in Ordnance as Spares. Full designation and V.A.O.S. number MUST be quoted on indents.										



AERIAL VARIOMETER, MK II CASE ASSEMBLY

Det No	DESIGNATION	No per Illus	V. A. O. S.		Manufacturers Number	Cir Ref	Repair Schedule			
			Sect	Number			Unit	Echelon		
								1st	2nd	4th
	● AERIAL VARIOMETERS, MK II		Z1	ZA/CAN/BR 10214	PC 75608 C		X	R	R	
	CASE ASSEMBLY									
1	CASES, Metal, No. 4.....	1	Z1	ZA 14673	PC 76491				R	
	COUPLINGS, Flexible, No. 6.....	1	Z1	ZA/CAN/BR 14490	PC 76389C/9				R	
2	● ARM AND PIN ASSEMBLIES, Couplings Flexible...	1	Z1	ZA/CAN 0004	PC 76388 C		X	X	R	
3	ARMS, Couplings Flexible, 1.21/32-in. x 5/8-in. x 1/4-in.....	1	Z1	ZA/CAN 0082	PC 45977 C				R	
4	PINS, Couplings Flexible, 3/16-in. OD, 19/32-in. Long.....	1	Z1	ZA/CAN 0005	PC 32124 C				R	
5	POINTERS, Couplings Flexible.....	1	Z1	ZA/CAN 0006	PC 46235 C				R	
6	● SCREWS, BA, Steel, Ch H, No. 4 x 5/8-in.....	1	Z2	ZB/CAN 2872	PC 30130		X	X	R	
7	● ARM AND BUSHING ASSEMBLIES, Couplings Flexible.....		Z1	ZA/CAN 0002	PC 76389 C		X	X	R	
8	● COVER AND DIAL ASSEMBLIES, No. C1.....	1	Z1	ZA/CAN 0024	PC 75478 C-191		X	X	R	
9	COVERS, Cases, Metal, No. 1.....	1	Z1	ZA 14677	PC 45975				R	
10	DIALS, Engraved, No. 10.....	1	Z1	ZA 14679	PC 90752 C				R	
11	GASKETS, Cork, 3.1/4-in. Dia, .032-in. Thick.	2	Z1	ZA/CAN 0033	PC 45979 C-191				R	
12	● HANDLES, No. 82.....	1	Z1	ZA 14681	PC 76423		X	X	R	
13	PLATES, Securing, No. 1.....	1	Z1	ZA 14686	PC 45980				R	
14	PLATES, Spacing, No. 1.....	1	Z1	ZA 14687	PC 45977 C				R	
15	PLATES, Spacing, No. 2.....	1	Z1	ZA 14688	PC 45978 C				R	
16	● SCREWS, Thread-Cutting, RH, 4-40 x 1/2-in....	4	Z2	ZB/CAN 3381			X	X	R	
17	COVERS, Cases Metal, No. 2.....	1	Z1	ZA 14678	PC 76490				R	
18	● COVERS, Waterproof, No. 16.....	1	Z1	ZA 10411	PC 64778 C		X	X	R	
19	HOUSINGS, Dummy, 3.1/16-in. Dia.....	1	Z1	ZA/CAN 0022	PC 76553				R	
20	LEADS, Earth, 18-in, No. C3.....	1	Z1	ZA/CAN 0331	PC 75608 C-191				R	
21	● BRAID, Copper, 1/8-in.....	18-in.	W2	WB/CAN 0330	X 1829		X	R	R	
22	LUGS, Solder, 15-Amp, 3/16-in. Hole.....	1	W2	WB/CAN 0328	R 15245				R	
23	LUGS, Solder, 15-Amp, 1/4-in. End Slot.....	1	W2	WB/CAN 0329	R 15246				R	
24	● PLUGS, Single, No. 26 U (See Index).....	1	Z1	ZA/CAN 0035	PC 75512 C	PL4B	X	R	R	
	MOUNTING HARDWARE									
25	● SCREWS, BA, Steel, Ch H, No. 2 x 3/8-in.....		Z2	ZB/CAN 2855	PC 30158		X	X	R	
26	● SCREWS, BA, Steel, Ch H, No. 4 x 1/2-in.....		Z2	ZB/CAN 2870	PC 30128		X	X	R	
27	● SCREWS, Self-Tapping, P-K Type 2, BH, No. 4 x 5/16-in.....		Z2	ZB/CAN 3408			X	X	R	

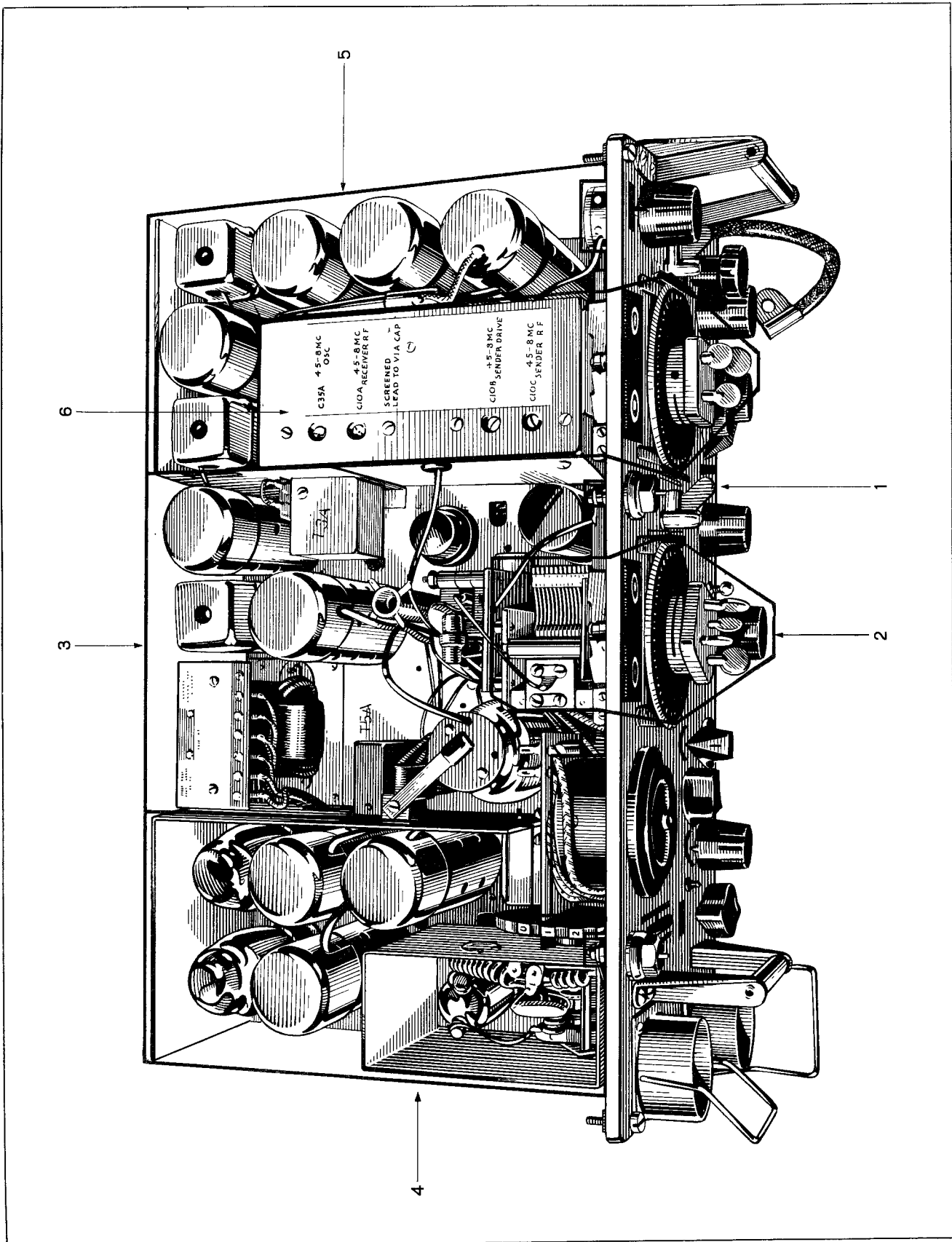
● These items only are carried in Ordnance as Spares. Full designation and V A O S number MUST be quoted on indents



AERIAL VARIOMETER, MK II COIL ASSEMBLY

Det. No.	DESIGNATION	No. per Illus.	V. A. O. S.		Manufacturers Number	Cir. Ref.	Repair Schedule			
			Sect.	Number			Unit	Echelon		
								1st	2nd	4th
AERIAL VARIOMETERS, MK II										
COIL ASSEMBLY										
1	● ARM AND BUSHING ASSEMBLIES, Couplings Flexible.....	1	Z1	ZA/CAN 0002	PC 76389 C		X	X	R	
	CAPACITOR ASSEMBLIES, Mica, 1000-uuF, 2500-Volt, 20%.....	1	Z1	ZA/CAN 1666	PC 45984 C		R	R	R	
2	● CAPACITORS, Mica, 1000-uuF, 2500-Volt, 20%.....	1	Z1	ZA/CM 45A102M	PC 66147 C	C 24 A	EX	X	X	
3	● CHOKES, Filter, No. 5.....	1	Z1	ZA 14480	PC 79115 C	L2.1A	EX	R	R	
4	CONTACTS, Cam, No. 1.....	1	Z1	ZA 14674				R	R	
5	CONTACTS, Cam, No. 2.....	1	Z1	ZA 14675				R	R	
6	CONTACTS, Spring, No. 1.....	4	Z1	ZA 14676	PC 90751 C		A	A	R	
7	● INDUCTANCE UNITS, RF, No. 6.....	1	Z1	ZA/CAN/BR 14683	PC 76343 C		EX	R	R	
8	BUSHES, Insulating, No. 2.....	1	Z1	ZA 14670	PC 90749			R	R	
9	CANS, Screening, Coil, No. 10.....	1	Z1	ZA 14671	PC 76398			R	R	
10	COVERS, Screening Can, No. 5.....	1	Z1	ZA 14672	PC 76399			R	R	
11	● SCREWS, BA, Brass, RH, No. 6 x 3/16-in.....	1	Z2	ZB/CAN 0360	R 11706-3		X	X	R	
12	● CAPACITORS, Mica, 1000-uuF, 500-Volt, 20%.....	1	Z1	ZA/CM 20A102M	PC 66758 C	C 26 A			X	
13	● CHOKES, Filter, No. 5.....	1	Z1	ZA 14480	PC 79115 C	I 2 A	ER	R	R	
14	● GROMMETS, Rubber, 1/8-in. ID, 7/32-in. x 1/16-in. Panel.....	1	Z1	ZA/CAN 0063	K 4534-1				X	
15	GROMMETS, Rubber, 5/16-in. ID, 9/16-in. x 3/32-in. Panel.....	1	Z1	ZA/CAN 0062					X	
16	PLATES, Phenolic, Insulating, 2.1/4-in. x 1.7/8-in. x .023-in.....	1	Z1	ZA/CAN 0069					R	
17	RECTIFIERS, Metal, WM 112.....	1	Z1	ZA 12151	PC 90747 C	W 1 A			R	
18	RESISTORS, Wirewound, 1/2-Watt, 27-Ohms, 10%.....	1	Z1	ZA/CAN 0071	PC 70740 C	R 28 A			R	
19	● RESISTORS, Metallized, 1/2-Watt, 470-Ohms, 10%.....	1	Z1	ZA/RC21AE471K	PC 70735 C	R 10 A	EX	X	X	
20	TAGS, Cinch No. 2440.....	1	Z1	ZA/CAN 0077	K 4755-3				R	
21	TRANSFORMERS, RF, No. 7.....	1	Z1	ZA 14690	PC 77371 C	T 1 A			R	
22	PANELS, Phenolic, Component Mounting, 2.1/4-in. x 1.7/8-in.....	1	Z1	ZA/CAN 0068					R	
23	WASHERS, Phenolic, 3/4-in. OD, 3/8-in. ID, .031-in. thick.....	1	Z1	ZA/CAN 0080					R	
24	INDUCTANCES, Variometer Assemblies, No. Cl.	1	Z1	ZA/CAN 0043	RCA 110186-501	L 1 A	ER	R	R	
25	BUSHES, Metal, Extruded, 5/8-in. OD, 3/8-in. ID, 0.210-in. thick.....	1	Z1	ZA/CAN 5361	PC 32221				R	
26	COILS, Fixed, Variometer, No. Cl.....	1	Z1	ZA/CAN 0044	PC 78441 C				R	
27	COILS, Moving, Variometer, No. Cl.....	1	Z1	ZA/CAN 0045	PC 78440 C				R	
28	PLATES, Side Supporting, Variometer.....	2	Z1	ZA/CAN 0084	PC 45998 C				R	
29	PLATES, Phenolic, Bottom, Variometer.....	1	Z1	ZA/CAN 0086	PC 45993 C				R	
30	PLATES, Phenolic, Top, Variometer.....	1	Z1	ZA/CAN 0085	PC 45992 C				R	
31	SHAFTS, Phenolic, 5.3/8-in. long x 5/16-in. Dia., Grooved.....	1	Z1	ZA/CAN 5241	PC 32108 C			X	R	
32	PANELS, Component Mounting, No. 11.....	1	Z1	ZA 14684	PC 45973 C				R	
33	PILLARS, Mounting, No. 12.....	2	Z1	ZA 14685	PC 32223 C				R	
34	● RESISTANCES, Variable, 20,000-Ohms, No. Cl.	1	Z1	ZA/CAN 0051	PC 81264 C	R 29 A	ER	R	R	
35	NUTS, AN, Steel, Hex, 5/8-32, 1/2-in. af.....	1	Z2	ZB/CAN 0052	PC 81246 C (3)				R	
36	WASHERS, Shakeproof No. 1220.....	1	Z2	ZB/CAN 0349	RCA 59049-25				X	
37	SPACERS, Phenolic, 1-in. x 1/2-in. x .0937-in. thick.....	2	Z1	ZA/CAN 0076	RCA 109996-1				R	
38	STRIPS, Tag, 1-Way, 3/4-in. long, No. C2...	1	Z1	ZA/CAN 0056	RCA 109991-1				R	
39	TAGS, Shakeproof No. 2103-4.....	1	Z1	ZA/CAN 0054	K 30042-2				X	
40	TAGS, Shakeproof No. 2103-6.....	1	Z1	ZA/CAN 0078	K 30042-1		R	R	R	
MOUNTING HARDWARE										
41	NUTS, ANC, Brass, Hex, 6-32.....		Z2	ZB/CAN 3226	R 15016-6				R	
42	NUTS, ASC, Brass, Square, 4-36.....		Z2	ZB/CAN 0357					R	
43	NUTS, BA, Brass, Hex, No. 4.....		Z2	ZB/CAN 3205	R 11733-4				R	
44	SCREWS, ANC, Steel, Fil H, 6-32 x 5/8-in.....		Z2	ZB/CAN 3561					R	
45	SCREWS, ANC, Steel, RH, 6-32 x 11/16-in.....		Z2	ZB/CAN 3025	RCA 57456-16				R	
46	SCREWS, ASC, Brass, RH, 4-36 x 3/8-in.....		Z2	ZB/CAN 0359	K 1546-3				R	
47	SCREWS, BA, Steel, Ch H, No. 4 x 1/4-in.....		Z2	ZB/CAN 2866	PC 30124				R	
48	SCREWS, BA, Steel, Grub, No. 4 x 3/16-in.....		Z2	ZB/CAN 0365					R	
49	SCREWS, Thread-Cutting, RH, 4-40 x 1/4-in.....		Z2	ZB/CAN 3377	RCA 109892-1				R	
50	WASHERS, Phenolic, 5/16-in. OD, 5/32-in. ID, .062-in. thick.....		Z1	ZA/CAN 0013	RCA 59111-16				R	
51	WASHERS, Phenolic, 0.320-in. OD, .125-in. ID, .050-in. thick.....		Z1	ZA/CAN 0083					R	
52	WASHERS, Shakeproof No. 1204.....		Z2	ZB/CAN 0344	RCA 59049-18 R 15019-4				X	
53	WASHERS, Shakeproof No. 1206.....		Z2	ZB/CAN 0345	RCA 59049-19 R 15019-6				X	
54	WASHERS, Steel, 5/16-in. OD, 5/32-in. ID, .032-in. thick.....		Z2	ZB/CAN 0352	RCA 102548-6				R	

● These items only are carried in Ordnance as Spares. Full designation and V.A.O.S. number MUST be quoted on indents.

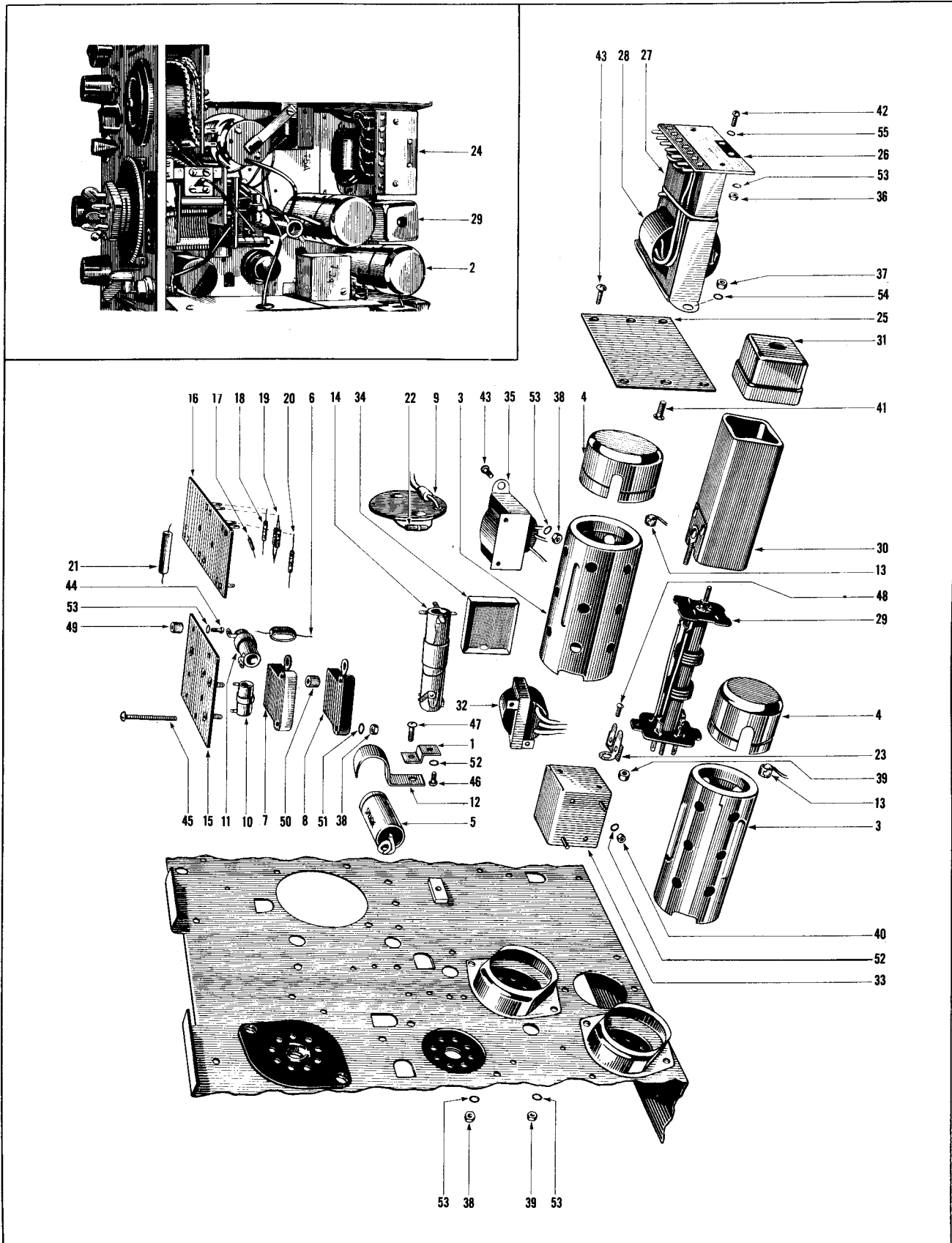


TOP VIEW OF W/S CDN NO. 19, MK III

Det. No.	DESIGNATION	No. per Illus.	V. A. O. S.		Manufacturers Number	Cir. Ref.	Repair Schedule			
			Sect.	Number			Echelon			
							Unit	1st	2nd	4th
	TOP VIEW OF W/S, CDN, NO. 19, MK III									
1	Front Panel.....			(See Index)						
2	P.A. Capacitor Assembly.....			(See Index)						
3	"A" Set, AF and Power Amplifier.....			(See Index)						
4	"B" Set.....			(See Index)						
5	"A" Set, RF Section.....			(See Index)						
6	Units, Capacitor and Drive, No. C3.....			(See Index)						

Det. No.	DESIGNATION	No. per Illus.	V. A. O. S.		Manufacturers Number	Cir. Ref.	Repair Schedule					
			Sect.	Number			Unit	Echelon				
								1st	2nd	4th		
	UNDERSIDE OF W/S, CDN, NO. 19 MK III											
1	Underchassis Illustration No. 1.....			(See Index)								
2	Underchassis Illustration No. 2.....			(See Index)								
3	Underchassis Illustration No. 3.....			(See Index)								
4	Underchassis Illustration No. 4.....			(See Index)								
5	Underchassis Illustration No. 5.....			(See Index)								
6	Local Oscillator and Frequency Change Switch Assembly.....			(See Index)								

Det. No.	DESIGNATION	No. per Illus.	V. A. O. S.		Manufacturers Number	Cir. Ref.	Repair Schedule			
			Sect.	Number			Unit	Echelon		
								1st	2nd	4th
FRONT PANEL										
1	● CAPACITORS, Mica, 2000-uuf, 500-V, 20%, No. C2	1	Z1	ZA/CM30A202M	PC 68152C	C 17 C	X	X	X	
2	● CHARTS, Calibration, No. 2	1	Z1	ZA 14680	PC 90672C		X	X	R	
3	● CONNECTIONS, Earthen, Single Lug, 6-in.	1	Z1	ZA/CAN 0393	PC 76721C		X	R	R	
4	● DIALS, Engraved, No. C1	1	Z1	ZA/CAN 0210	PC 90685C-192		X	R	R	
5	● DIALS, Engraved, No. C2	1	Z1	ZA/CAN 0485	PC 90686C-192		X	R	R	
6	● DIALS, Engraved, No. 7	1	Z1	ZA 14491	PC 55451C		X	R	R	
7	● DRIVES, Slow Motion, No. C1	1	Z1	ZA/CAN 0238	PC 65106C		X	X	R	
8	● DRIVES, Slow Motion, No. 14	1	Z1	ZA 14494	PC 76351C-1		X	X	R	
9	● GROMMETS, Rubber, 9/32-in. ID, 3/8-in. x 1/16-in. Panel	1	Z1	ZA/CAN 0394	K 4534-6		X	R	R	
10	● HANDLES, No. 1	4	Z1	ZN 0333	PC 90613C		R	R	R	
11	● HANDLES, No. 7	2	Z1	ZN 0339	PC 90612C		R	R	R	
12	● HANDLES, No. 37	3	Z1	ZA 12585	PC 55437C		R	R	R	
13	● HANDLES, No. 72	2	Z1	ZA 14496	PC 59028C		R	R	R	
14	● HANDLES, No. 79	1	Z1	ZA 14497	PC 32098C		R	R	R	
15	● HANDLES, No. 80	2	Z1	ZA 14556	PC 59029C		R	R	R	
16	HANDLES, Large, Drives Slow Motion (Part of Detail 7)	1	Z1	ZA/CAN 0240	PC 55516					X
17	● HANDLES, Set, No. C1	2	Z1	ZA/CAN 0396	PC 76872C		X	R		X
18	HANDLES, Small, Drives Slow Motion (Part of Detail 7)	1	Z1	ZA/CAN 0239	PC 55515					X
19	INSULATORS, Phenolic, Cup-Type	1	Z1	ZA/CAN 0265	PC 76150C-1911					X
20	● JACKS, Microphone, No. C1	1	Z1	ZA/CAN 0264	PC 76150C-1912 RCA 111820-1	J 1 A	R	R		R
21	● METERS, Test, No. C1	1	Z1	ZA/CAN 0267	PC 90609C		X	R	R	
22	● NUTS, ANC, Brass, Hex, 8-32	4	Z2	ZB/CAN 3227	R 15016-7		X	X	R	
23	● WASHERS, Brass, 7/16-in. OD, 5/32-in. ID, .031-in. Thick	2	Z2	ZB/CAN 0336			X	X	R	
24	● WASHERS, Steel, 3/8-in. OD, 3/16-in. ID, .031-in. Thick	2	Z2	ZB/CAN 0351			X	X	R	
25	NAMEPLATES, Wireless Sets Canadian No. 19 Mk III	1	Z1	ZA/CAN 0397	RCA 113928-1					R
26	PANELS, Front, Wireless Sets Canadian No. 19 Mk III	1	Z1	ZA/CAN 0398	RCA 101997-1					R
27	● PLATES, Panel Mounting, No. C2	1	Z1	ZA/CAN 0399	RCA 113936-1		X	X	R	
28	PLATES, Panel Mounting, No. C1	1	Z1	ZA/CAN 0401	PC 45756C-191					R
29	PLATES, Stop, No. 1	4	Z1	ZA 14522	PC 45742 C					R
30	● PLUGS, 12-Point, No. 1 (See Index)	2	Z1	ZA/CAN/BR 2816	PC 75423C		R	R		R
31	PLUGS, Single, No. 26V (See Index)	1	Z1	ZA/CAN 0388	PC 75512C					R
32	PLUGS, Single, No. 26W (See Index)	1	Z1	ZA/CAN 0389	PC 75512C-194					R
33	● RESISTANCES, Variable, 6-Ohms, No. C1	1	Z1	ZA/CAN 0404	PC 81258C		X	ER	R	
34	● RESISTANCES, Variable, 100,000-Ohms, No. C1	1	Z1	ZA/CAN 0263	PC 81257C		X	R	R	
35	● RESISTANCES, Variable, 1-Megohm, No. 3	1	Z1	ZA 2809	PC 81256C		X	R	R	
36	● RESISTANCES, Wirewound, Variable, 10,000-Ohms	1	Z1	ZA/CAN 0408	RCA 113925-1		X	R	R	
37	● RESISTORS, Metallized, 1/2-Watt, 470-Ohms, 10%	1	Z1	ZA/RO21AE471K	K 5974-105B PC 70735		X	X	X	
38	● SWITCHES, On-Off, DP, No. 12	3	Z1	ZA 2844	PC 83220C	S/C 104A	X	R	R	
39	● SWITCHES, On-Off, SP, No. 2	2	Z1	ZA 8724	PC 83223	S/C 105A S/C 105B	X	R	R	
40	● SWITCHES, Rotary Disc, 2-Pole, 6-Position, No. 1	1	Z1	ZA 2813	PC 83206C	S 8 A	X	R	R	
41	● SWITCHES, Rotary Disc, 3-Pole, 3-Position, 3-Bank, No. 1	1	Z1	ZA 2828	PC 83217C	S 7 A		R	R	
MOUNTING HARDWARE										
42	NUTS, AN, Brass, 3/8-32, 9/16-in. af.		Z1	ZA/CAN 0405						R
43	NUTS, AN, Brass, Hex, 3/8-32, .1-in. thick, 1/2-in. af.		Z1	ZA/CAN 0514	RCA 59158-29					R
44	NUTS, AN, Brass, Hex, 15/32-32, 9/16-in. af.		Z1	ZA/CAN 0196			X	X		R
45	● NUTS, BA, Brass, Hex, No. 4		Z2	ZB/CAN 3205	R 11733-4 PC 31992C					R
46	RIVETS, Shouldered, Special, No. 1		Z1	ZA 14272	R 15126-2					R
47	SCREWS, ANC, Steel, RH, 4-40 x 1/8-in.		Z2	ZB/CAN 0411	R 11705-6					R
48	SCREWS, BA, Brass, RH, No. 4 x 3/8-in.		Z2	ZB/CAN 2539	R 11710-8					R
49	SCREWS, BA, Steel, Csk H, No. 6 x 1/2-in.		Z2	ZB/CAN 3179	PC 30031C		X	X		R
50	● SCREWS, BA, Steel, Grub, No. 4 x 1/4-in.		Z2	ZB/CAN 0366	R 11701-4		X	X		R
51	● SCREWS, BA, Steel, RH, No. 4 x 1/4-in.		Z2	ZB/CAN 2937	R 11701-6		X	X		R
52	● SCREWS, BA, Steel, RH, No. 4 x 3/8-in.		Z2	ZB/CAN 2939	R 11702-5		X	X		R
53	● SCREWS, BA, Steel, RH, No. 6 x 5/16-in.		Z2	ZB/CAN 2951	PC 32090C		X	X		R
54	● SCREWS, Captive, No. 4		Z1	ZA 14527	RCA 109892-1		X	X		R
55	SCREWS, Thread-Cutting, RH, 4-40 x 1/4-in.		Z2	ZB/CAN 3377						R
56	SCREWS, Thread-Cutting, RH, 4-40 x 3/8-in.		Z2	ZB/CAN 3379						R
57	SCREWS, Thread-Cutting, RH, 6-32 x 1/4-in.		Z2	ZB/CAN 3385	RCA 109892-9					R
58	WASHERS, Phenolic, Extruded, 19/32-in. OD, 3/8-in. ID, .094-in. thick		Z1	ZA/CAN 0406						R
59	WASHERS, Phenolic, 3/4-in. OD, 3/8-in. ID, .0625-in. thick		Z1	ZA/CAN 0407						R
60	● WASHERS, Shakeproof No. 1204		Z2	ZB/CAN 0344	RCA 59049-18 R 15019-4		X	X		X
61	● WASHERS, Shakeproof No. 1206		Z2	ZB/CAN 0345	RCA 59049-19 R 15019-6		X	X		X
62	WASHERS, Shakeproof No. 1218		Z2	ZB/CAN 0348	RCA 59049-24					X
63	WASHERS, Shakeproof No. 1220		Z2	ZB/CAN 0349	RCA 59049-25					X

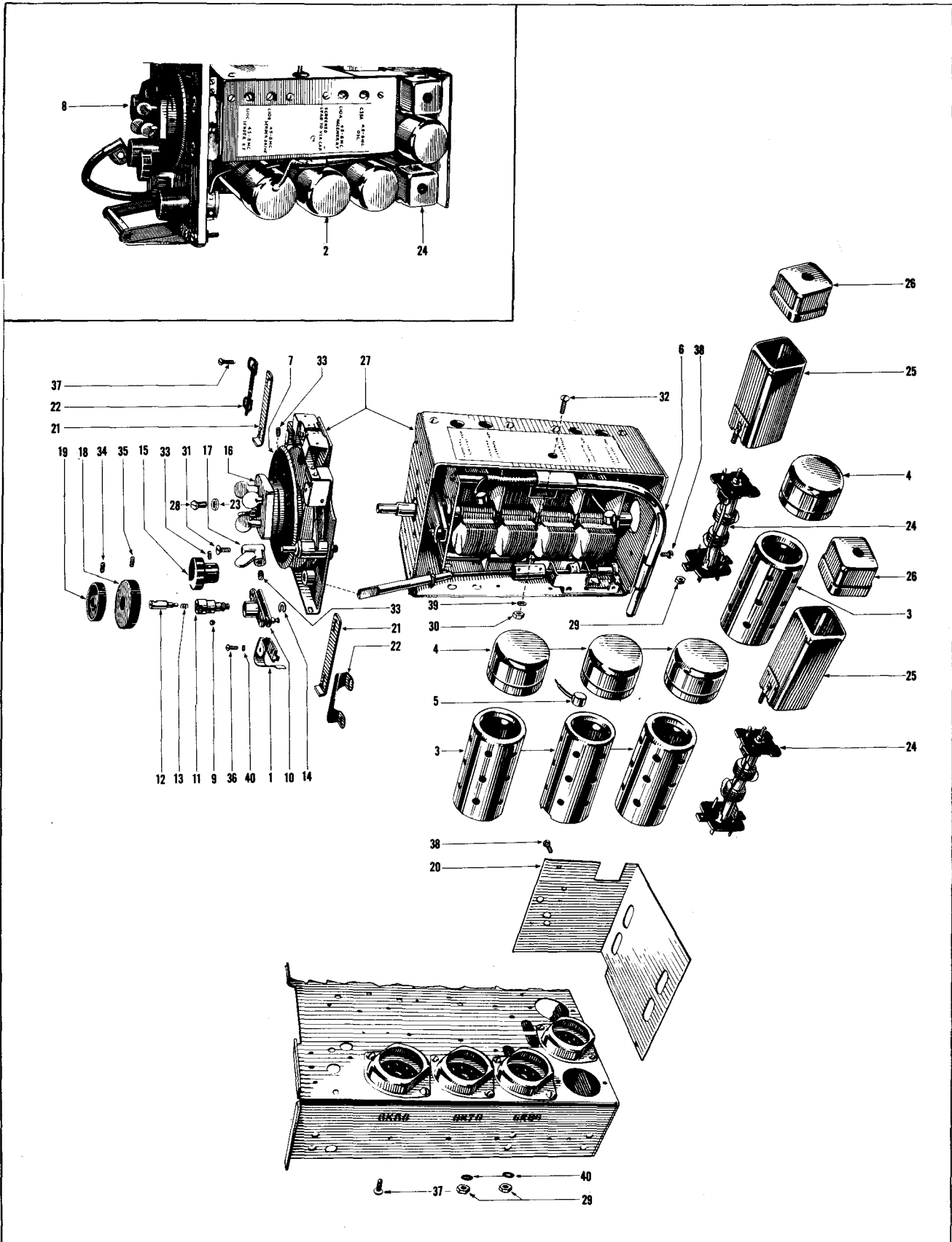


"A" SET, AF AND POWER AMPLIFIER

**ELECTRICAL & MECHANICAL
ENGINEERING REGULATIONS**

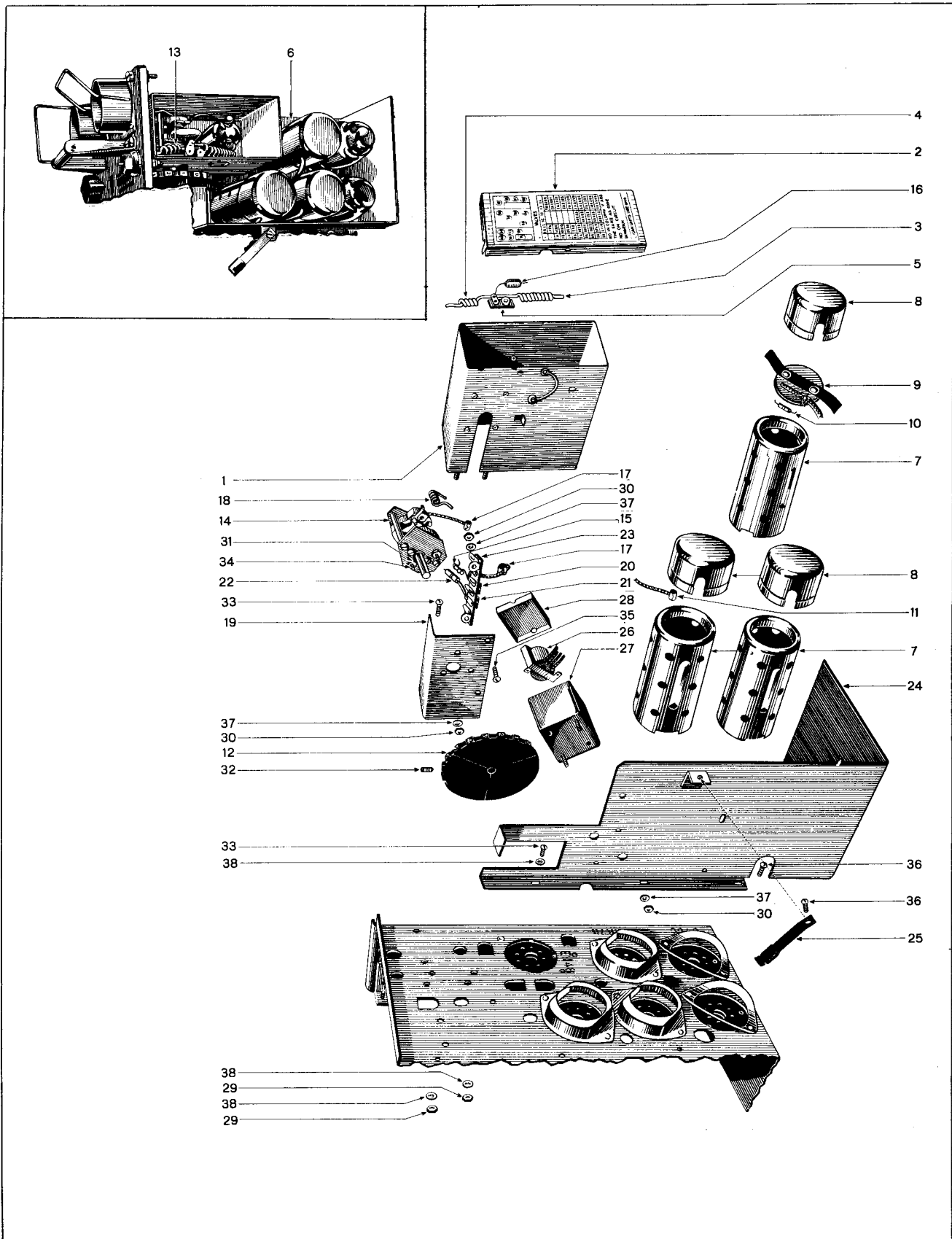
Det. No.	DESIGNATION	No. per Illus.	V. A. O. S.		Manufacturers Number	Cir. Ref.	Repair Schedule			
			Sect.	Number			Unit	Echelon		
								1st	2nd	4th
"A" SET, AF AND POWER AMPLIFIER										
1	BRACKETS, Coil Mounting, 1.1/8-in. x 5/8-in.....	1	Z1	ZA/CAN 0428	PC 78465 C-191					R
2	● CANS, Screening, Valve, No. 8.....	2	Z1	ZA 14474						R
3	● BODIES, Cans Screening Valve, No. C1.....	2	Z1	ZA/CAN 0419	PC 90643 C		X	X		R
4	● COVERS, Screening Can, No. C1.....	2	Z1	ZA/CAN 0420	PC 90645 C		X	X		R
5	● CAPACITORS, Oil-Paper, 0.1-uF, 750-Volts, 10%.....	1	Z1	ZA/CAN 0099	PC 68121 C	C33B	X	X	X	
6	● CAPACITORS, Mica, 500-uuF, 500-Volts, 20%..	1	Z1	ZA/CAN 0014	PC 66095 C	C2A	X	X	X	
7	● CAPACITORS, Mica, 4000-uuF, 1200-Volts, 20%	1	Z1	ZA/CAN 0032	PC 66109 C	C1A	X	X	X	
8	● CAPACITORS, Mica, 10,000-uuF, 1,200-Volts, 10%.....	1	Z1	ZA/CAN 0066	PC 66148 C	636A	X	X	X	
9	● CAPS, Valve Connection, Insulated, No. 9...	1	Z1	ZA/CAN/BR 14173	PC 76381 C		R	R	R	
10	● CHOKES, RF, Air-Core, 1.575-mH.....	1	Z1	ZA/CAN 0432	PC 79116 C	L10A		R	R	
11	● CHOKES, RF, Air-Core, 470-uH.....	1	Z1	ZA/CAN 0433	PC 79115 C-191	L2B		R	R	
12	● CLEATS, Condenser, No. 5.....	1	Z1	ZA 14484	PC 42967 C-2			R	R	
13	● CLIPS, Valve Connection, No. 1.....	2	Z1	ZA 11949	PC 72489 C			R	R	
14	● INDUCTANCES, RF, No. C1.....	1	Z1	ZA/CAN 0435	PC 78465 C	L3A		R	R	
15	● PANELS, Component Mounting, No. C1.....	1	Z1	ZA/CAN 0437	PC 80179 C-196			R	R	
16	● PANELS, Component Mounting, No. C2.....	1	Z1	ZA/CAN 0438	PC 90609 C-192		EX	EX	R	
17	● RESISTORS, Metallized, 1/4-Watt, 10,000-Ohms, 10%.....	1	Z1	ZA/RC10AE103K	PC 72648 C	R42B		X	X	
18	● RESISTORS, Metallized, 1/4-Watt, 27,000-Ohms, 10%.....	1	Z1	ZA/RC10AE273K	PC 70724 C	R21C	X	X	X	
19	● RESISTORS, Metallized, 1/4-Watt, 58,000-Ohms, 20%.....	2	Z1	ZA/CAN 0440		R26A	X	X	X	
20	● RESISTORS, Metallized, 1/2-Watt, 1.2-Megohms, 5%.....	1	Z1	ZA/RC2 AE125J	PC 71901 C	R24A	X	X	X	
21	● RESISTORS, Metallized, 1-Watt, 1.2-Megohms, 5%.....	1	Z1	ZA/RC31AE125J	PC 90459 C	R25A	X	X	X	
22	● RESISTORS, Wirewound, 1/2-Watt, 47-Ohms, 10%.....	1	Z1	ZA/CAN 0298	PC 70733 C	R22A	X	X	X	
23	● STRIPS, Tag, 2-Way, No. 4.....	1	Z1	ZA 14529	PC 90202 C		X	R	R	
24	● TRANSFORMER ASSEMBLIES, No. C1.....	1	Z1	ZA/CAN 0446	PC 76332 C	T5A-T6A		R	R	
25	● PLATES, Metal, Mounting, 2.15/16-in. x 2.1/8-in.....	1	Z1	ZA/CAN 0439	PC 76332 C-193			R	R	
26	● STRIPS, Tag, 9-Way, 2.3/4-in. long.....	1	Z1	ZA/CAN 0445	PC 76332 C-192			R	R	
27	● TRANSFORMERS, Output, No. C1.....	1	Z1	ZA/CAN 0447	PC 77372 C	T6A		R	R	
28	● TRANSFORMERS, Output, No. C2.....	1	Z1	ZA/CAN 0448	PC 77373 C	T5A		R	R	
29	● TRANSFORMERS, IF, End Tuning, No. C2.....	1	Z1	ZA/CAN 0449	RCA 104779-502	L9A		R	R	
30	● CANS, Coil Screening, End Tuning, No. C1...	1	Z1	ZA/CAN 0429	RCA 78945-1			R	R	
31	● CANS, Cans Coil Screening, No. C1.....	1	Z1	ZA/CAN 0430	RCA 78945-3			R	R	
32	● TRANSFORMERS, Microphone, No. C2.....	1	Z1	ZA/CAN 0451	[RCA 109955-502 PC 77370 C	T3A	ER	R	R	
33	● CANS, Screening, Coil, No. 11.....	1	Z1	ZA 14991	PC 45748 C					R
34	● COVERS, Screening Can, No. 3.....	1	Z1	ZA 14992	PC 45749 C					R
35	● TRANSFORMERS, Output, No. 12.....	1	Z1	ZA 14537	[RCA 109953-501 PC 77369 C	T2A		R		R
MOUNTING HARDWARE										
36	● NUTS, ANC, Brass, Hex, 6-32.....		Z2	ZB/CAN 3226						R
37	● NUTS, ANC, Brass, Hex, 8-32.....		Z2	ZB/CAN 3227						R
38	● NUTS, BA, Brass, Hex, No. 4.....		Z2	ZB/CAN 3205	R 11733-4		X	X		R
39	● NUTS, BA, Brass, Hex, No. 4, 3/32-in. thick		Z2	ZB/CAN 0436	RCA 11556-1					R
40	● NUTS, BA, Brass, Hex, No. 6.....		Z2	ZB/CAN 3207	R 11733-6		X	X		R
41	● SCREWS, ANC, Steel, RH, 8-32 x 1/4-in.....		Z2	ZB/CAN 3099	R 15146-4		X	X		R
42	● SCREWS, ANC, Steel, RH, 6-32 x 3/8-in.....		Z2	ZB/CAN 3336						R
43	● SCREWS, BA, Steel, RH, No. 4 x 3/8-in.....		Z2	ZB/CAN 2939	R 11701-6		X	X		R
44	● SCREWS, BA, Steel, RH, No. 4 x 7/16-in.....		Z2	ZB/CAN 2940	R 11701-7		X	X		R
45	● SCREWS, BA, Steel, RH, No. 4 x 1.3/8-in....		Z2	ZB/CAN 0441						R
46	● SCREWS, BA, Steel, RH, No. 6 x 7/16-in.....		Z2	ZB/CAN 2953	R 11702-7		X	X		R
47	● SCREWS, Self-Tapping, P-K Type Z, RH, No. 6 x 3/8-in.....		Z2	ZB/CAN 3451						R
48	● SCREWS, Thread-Cutting, RH, 6-32 x 1/4-in..		Z2	ZB/CAN 3385						R
49	● SPACERS, Brass, 1/4-in. OD, 5/32-in. ID, 0.1875-in. thick.....		Z1	ZA/CAN 0442						R
50	● SPACERS, Fibre, 21/64-in. OD, 13/64-in. ID, 0.25-in. thick.....		Z1	ZA/CAN 0443	PC 80179 C-195					R
51	● WASHERS, Brass, 5/16-in. OD, 5/32-in. ID, .036-in. thick.....		Z2	ZB/CAN 0335	R 11734-4					R
52	● WASHERS, Shakeproof No. 1204.....		Z2	ZB/CAN 0334	RCA 59049-18		X	X	X	
53	● WASHERS, Shakeproof No. 1206.....		Z2	ZB/CAN 0345	RCA 59049-19		X	X	X	
54	● WASHERS, Shakeproof No. 1208.....		Z2	ZB/CAN 0346	RCA 59049-20					X
55	● WASHERS, Steel, 5/16-in. OD, 1/8-in. ID, .067-in. thick.....		Z2	ZB/CAN 0453						R

Det. No.	DESIGNATION	No. per Illus.	V. A. O. S.		Manufacturers Number	Cir. Ref.	Repair Schedule			
			Sect.	Number			Unit	Echelon		
								1st	2nd	4th
	<p>★ NOTE:- IF TRANSFORMER illustrated is style used by R.C.A. Victor Co. Wireless Sets built by Northern Electric Co. and Canadian Marconi Co. use IF TRANSFORMERS supplied by these Companies. They are as follows:-</p> <p>MARCONI IF TRANSFORMERS</p> <p>● TRANSFORMERS, IF, Side Tuning, No. C3..... CANS, Coil Screening, Side Tuning, No. C2..</p> <p>NORTHERN ELECTRIC IF TRANSFORMERS</p> <p>● TRANSFORMERS, IF, Side Tuning, No. C2..... CANS, Transformers IF, No. C1.....</p>									
			Z1 Z1	ZA/CAN 5386 ZA/CAN 5387	CMC/PC 77367 C CMC 106-370	L9A				R R
			Z1 Z1	ZA/CAN 1547 ZA/CAN 1548	PC 77367 C	L9A				R R
	<p>● These items only are carried in Ordnance as Spares. Full designation and V.A.O.S. number MUST be quoted on indents.</p>									



"A" SET, RF SECTION

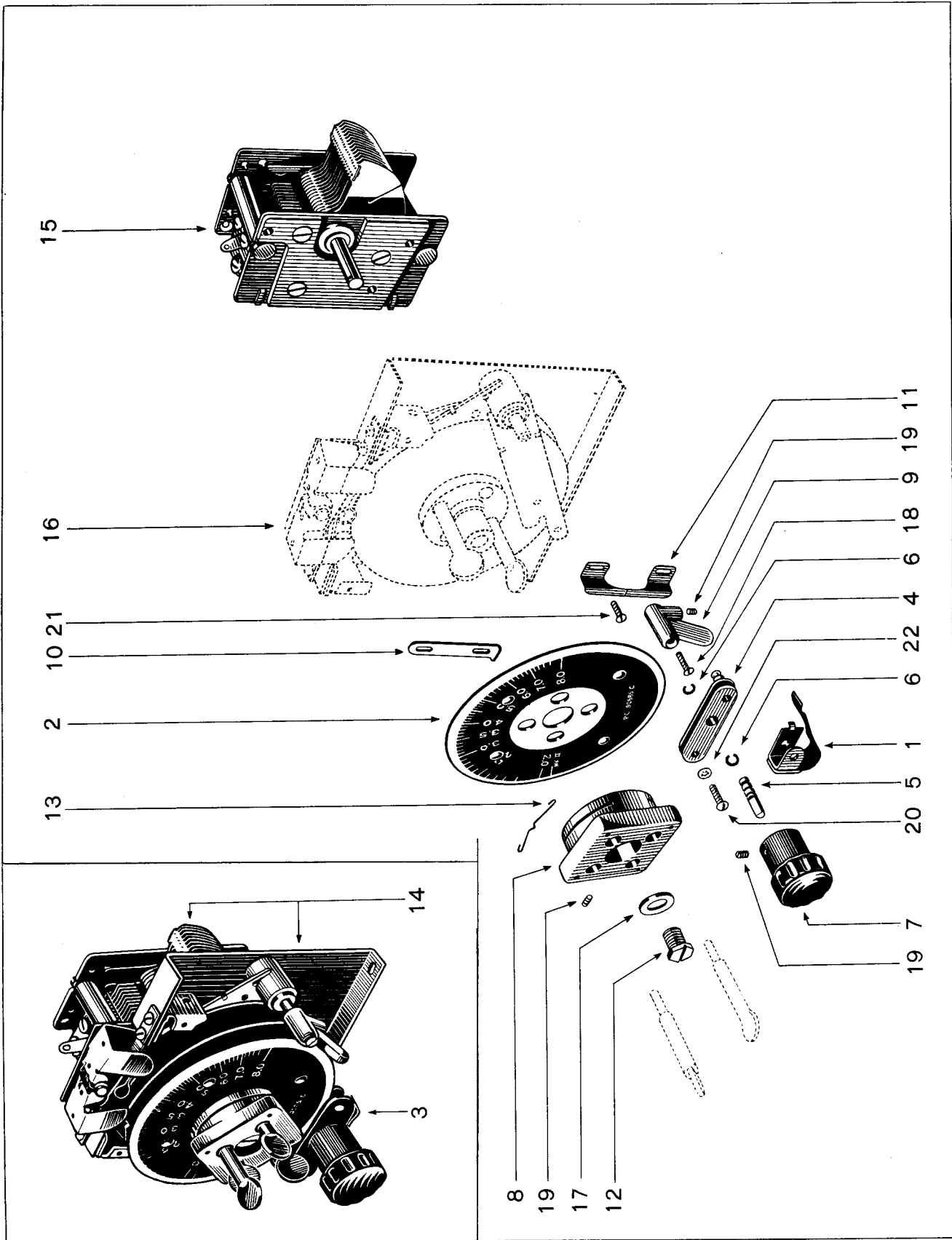
Det. No	DESIGNATION	No per Illus	V. A. O. S.		Manufacturers Number	Cur Ref	Repair Schedule			
			Sect	Number			Unit	Echelon		
								1st	2nd	4th
"A" SET, RF SECTION										
1	● BRACKET AND SPRING ASSEMBLIES, No. C1.....	1	Z1	ZA/CAN 0233	PC 76542 C		X	X	R	
2	● CANS, Screening, Valve, No. 8.....	4	Z1	ZA 14474			X	X	R	
3	● BODIES, Cans Screening Valve, No. C1.....	4	Z1	ZA/CAN 0419	PC 90643 C		X	X	R	
4	● COVERS, Screening Can, No. C1.....	4	Z1	ZA/CAN 0420	PC 90645 C		X	X	R	
5	● CLIPS, Valve Connection, No. J.....	3	Z1	ZA 11949	PC 72489 C		X	X	R	
6	● CONNECTIONS, Shielded, Curved, 7.3/4-in....	1	Z1	ZA/CAN 0484	PC 76429 C		X	X	R	
7	● DIALS, Engraved, No. C2.....	1	Z1	ZA/CAN 0485	PC 90686 C-192		X	X	R	
8	● DRIVES, Slow Motion, No. C1.....	1	Z1	ZA/CAN 0238	PC 65106 C		X	X	R	
9	● BALLS, Bearing, 5/32-in. dia.....	4	Z1	ZA/CAN 0460					R	
10	● PLATES, Bearing, Drive Slow Motion, No. C1.....	1	Z1	ZA/CAN 0486					R	
11	● SPINDLES, Large, Drive Slow Motion.....	1	Z1	ZA/CAN 0487	PC 33739 C				R	
12	● SPINDLES, Small, Drive Slow Motion.....	1	Z1	ZA/CAN 0488	PC 33738 C				R	
13	● SPRINGS, Wire, No. C1.....	1	Z1	ZA/CAN 0489	PC 65312 C-2				R	
14	● WASHERS, "C", Steel, 5/16-in. OD, 11/64-in. ID, .034-in. thick.....	1	Z1	ZA/CAN 0236	K 2895				R	
15	● HANDLES, No. 7.....	1	Z1	ZN 0339	PC 90612 C		R	R	R	
16	● HANDLES, No. 72.....	1	Z1	ZA 14496	PC 59028 C		R	R	R	
17	● HANDLES, No. 80.....	1	Z1	ZA 14556	PC 59029 C		R	R	R	
18	● HANDLES, Large, Drives Slow Motion.....	1	Z1	ZA/CAN 0240	PC 55516				R	
19	● HANDLES, Small, Drives Slow Motion.....	1	Z1	ZA/CAN 0239	PC 55515				R	
20	● PLATES, Screening, No. 3.....	1	Z1	ZA 14517	PC 45734 C		X	X	R	
21	● PLATES, Stop, No. 1.....	2	Z1	ZA 14522	PC 45742 C		X	X	R	
22	● POINTERS, No. 7.....	2	Z1	ZA 14524	PC 45859 C		X	X	R	
23	● SCREWS, Brass, 5/16-in. x 3/8-in., Special, No. 1.....	1	Z1	ZA 14562	PC 32088 C		X	X	R	
24	● TRANSFORMERS, IF, End Tuning, No. C1.....	2	Z1	ZA/CAN 0491	RCA 104770-501	L 8 A-B			R	
25	● CANS, Coil Screening, End Tuning, No. C1.....	2	Z1	ZA/CAN 0429	RCA 78945-1				R	
26	● CAPS, Cans Coil Screening, No. C2.....	2	Z1	ZA/CAN 0471	RCA 78945-4				R	
27	● UNITS, Capacitor and Drive, No. C3 (See Index)	1	Z1	ZA/CAN 0492	RCA 105492-501	C9A-B-C-D C10A-B-C, C35A			ER	R
28	● WASHERS, Steel, 5/16-in., Special, No. 1....	1	Z1	ZA 14327	PC 45989					R
MOUNTING HARDWARE										
29	● NUTS, BA, Brass, Hex, No. 4.....		Z2	ZB/CAN 3205	R 11733-4		X	X	R	
30	● NUTS, BA, Brass, Hex, No. 6.....		Z2	ZB/CAN 3207	R 11733-6		X	X	R	
31	● SCREWS, BA, Steel, Csk H, No. 6 x 3/8-in....		Z2	ZB/CAN 3177	R 11710-6		X	X	R	
32	● SCREWS, BA, Steel, Fil H, No. 6 x 5/16-in....		Z2	ZB/CAN 3666					R	
33	● SCREWS, BA, Steel, Grub, No. 4 x 1/4-in....		Z2	ZB/CAN 0366	PC 30031 C		X	X	R	
34	● SCREWS, BA, Steel, Grub, No. 6 x 7/16-in....		Z2	ZB/CAN 0497					R	
35	● SCREWS, BA, Steel, Grub, No. 6 x 1/2-in. Special.....		Z2	ZB/CAN 0495	PC 33742 C				R	
36	● SCREWS, BA, Steel, RH, No. 4 x 3/4-in....		Z2	ZB/CAN 2945	R 11701-12		X	X	R	
37	● SCREWS, Thread-Cutting, RH, 4-40 x 1/4-in..		Z2	ZB/CAN 3377					R	
38	● SCREWS, Thread-Cutting, RH, 6-32 x 1/4-in..		Z2	ZB/CAN 3385					R	
39	● WASHERS, Shakeproof No. 1204.....		Z2	ZB/CAN 0344					R	
40	● WASHERS, Shakeproof No. 1206.....		Z2	ZB/CAN 0345	RCA 59049-18 R 15019-4 RCA 59049-19 R 15019-6		X	X	X	
	★ IF Transformer illustrated is style used by RCA Victor Co. Wireless Sets built by Canadian Marconi Co. and Northern Electric Co. use IF Transformers supplied by these companies. They are as follows:-									
MARCONI IF TRANSFORMER										
	● TRANSFORMERS, IF, Side Tuning, No. C4.....		Z1	ZA/CAN 5384	CMC/PC 77366C	L8A-B			R	R
	● CANS, Coil Screening, Side Tuning, No. C1.....		Z1	ZA/CAN 5385	CMC 106-353				R	R
NORTHERN ELECTRIC IF TRANSFORMER										
	● TRANSFORMERS, IF, Side Tuning, No. C1.....		Z1	ZA/CAN 1549	PC 77366 C	L8A-B			R	R
	● CANS, Transformers IF, No. C2.....		Z1	ZA/CAN 1550					R	R
The Northern Electric Co. IF Transformers include a lossy Resistor in each Assembly:										
	● RESISTORS, Metallized, 1/4-Watt, 100,000-Ohms, 20%.....		Z1	ZA/RC10AE104K	PC 70743 C	R7A-B				R
● These items only are carried in Ordnance as Spares Full designation and V A O S number MUST be quoted on indents										



"B" SET

Det. No.	DESIGNATION	No. per Illus.	V. A. O. S.		Manufacturers Number	Cir. Ref.	Repair Schedule			
			Sect.	Number			Unit	Echelon		
								1st	2nd	4th
"B" SET										
1	● CANS, Screening, Coil, No. 7.....	1	Z1	ZA 14472	PC 3335 C					R
2	● COVERS, Screening Can, No. 1.....	1	Z1	ZA 14541	PC 5751 C	L12A	X			R
3	● CHOKES, RF, No. 92.....	1	Z1	ZA 14481	PC 79125 C	L26A				R
4	● CHOKES, RF, No. 104.....	1	Z1	ZA 15447	PC 79126 C					R
5	● STRIPS, Tag, 1-Way, 3/4-in. Long, No. C1.....	1	Z1	ZA/CAN 0190	RCA 81641-5		ER			R
6	● CANS, Screening, Valve, No. 8.....	3	Z1	ZA 14474						R
7	● BODIES, Cans Screening Valve, No. C1.....	3	Z1	ZA/CAN 0419	PC 90643 C		X	X		R
8	● COVERS, Screening Can, No. C1.....	3	Z1	ZA/CAN 0420	PC 90645 C		X	X		R
9	● CAPS, Valve Connection, Insulated, No. 8.....	2	Z1	ZA/CAN/BR 12780	PC 76432 C		R	R		R
10	● RESISTORS, Metallized, 1/4-Watt, 22,000-Ohms, 10%.....	2	Z1	ZA/RC 10AE223K	PC 70725 C K 5988-65B	R23B	X	X	X	
11	● CLIPS, Valve Connection, No. 1.....	1	Z1	ZA 11949	PC 72489 C		R	R	R	
12	● DIALS, Engraved, No. 7.....	1	Z1	ZA 14491	PC 55451 C			X	R	R
13	● INDUCTANCE UNITS, RF, No. 5.....	1	Z1	ZA/CAN/BR 14510	PC 82269			X	R	R
14	● CAPACITORS, Variable, 2-Gang, 3.4-6.8-uuF, 500-V.....	1	Z1	ZA/CAN 0262	PC 80162 C PC 80199 C	G25A		R	R	
15	● CAPACITORS, Ceramic, Tubular, 20-uuF, 500-V, 10%.....	1	Z1	ZA/CAN 0274	PC 66152 C	G27A			X	X
16	● CAPACITORS, Mica, 7-uuF, 500-V, 10%.....	1	Z1	ZA/CAN 0007	PC 66240 C	G21B			X	X
17	● CLIPS, Valve Connection, No. 1.....	2	Z1	ZA 11949	PC 72489 C		R		X	R
18	● INDUCTANCES, UHF, No. C1.....	1	Z1	ZA/CAN 0197	PC 78432 C	L11A			R	R
19	● PANELS, Component Mounting, No. 10.....	1	Z1	ZA 14540	PC 45743 C				R	R
20	● RESISTORS, Metallized, 1/4-Watt, 15,000-Ohms, 10%.....	1	Z1	ZA/RC 10AE153K	PC 72658 C K 5988-69B	R32A			X	X
21	● RESISTORS, Metallized, 1/4-Watt, 270,000-Ohms 10%.....	1	Z1	ZA/RC 10AE274K	PC 70727 C K 5988-39B	R18C			X	X
22	● RESISTORS, Metallized, 1/2-Watt, 2,200-Ohms, 10%.....	1	Z1	ZA/RC 21AE222K	PC 70741 C K 5974-89B	R31A			X	X
23	● STRIPS, Tag, 6-Way, 2.1/4-in. Long.....	1	Z1	ZA/CAN 0189	PC 70683 C				R	R
24	● PLATES, Screening, No. 7.....	1	Z1	ZA 14521	PC 76715 C		X		R	R
25	● SPRINGS, Valve Retaining, No. 3.....	1	Z1	ZA 14528	PC 64037 C		R		R	R
26	● TRANSFORMERS, Microphone, No. C1.....	1	Z1	ZA/CAN 0427	PC 77368 C RCA 109955-501	T4A	ER		R	R
27	● CANS, Screening, Coil, No. 11.....	1	Z1	ZA 14991	PC 45748 C					R
28	● COVERS, Screening Can, No. 3.....	1	Z1	ZA 14992	PC 45749 C					R
MOUNTING HARDWARE										
29	● NUTS, BA, Brass, Hex, No. 4.....		Z2	ZB/CAN 3205	R 11733-4		X	X		R
30	● NUTS, BA, Brass, Hex, No. 6.....		Z2	ZB/CAN 3207	R 11733-6		X	X		R
31	● NUTS, BA, Brass, Hex, No. 6, .113-in. thick..		Z2	ZB/CAN 0424						R
32	● SCREWS, BA, Steel, Grub, No. 4 x 1/4-in.....		Z2	ZB/CAN 0366	PC 30031 C		X	X		R
33	● SCREWS, BA, Steel, RH, No. 4 x 3/8-in.....		Z2	ZB/CAN 2939	R 11701-6		X	X		R
34	● SCREWS, BA, Steel, RH, No. 6 x 1/4-in.....		Z2	ZB/CAN 2950	R 11702-4		X	X		R
35	● SCREWS, BA, Steel, RH, No. 6 x 5/16-in.....		Z2	ZB/CAN 2951	R 11702-5		X	X		R
36	● SCREWS, Thread-Cutting, RH, 6-32 x 1/4-in.....		Z2	ZB/CAN 3385	RCA 109892-9					R
37	● WASHERS, Shakeproof No. 1204.....		Z2	ZB/CAN 0344	RCA 59049-18 R 15019-4		X	X	X	
38	● WASHERS, Shakeproof No. 1206.....		Z2	ZB/CAN 0345	RCA 59049-19 R 15019-6		X	X	X	

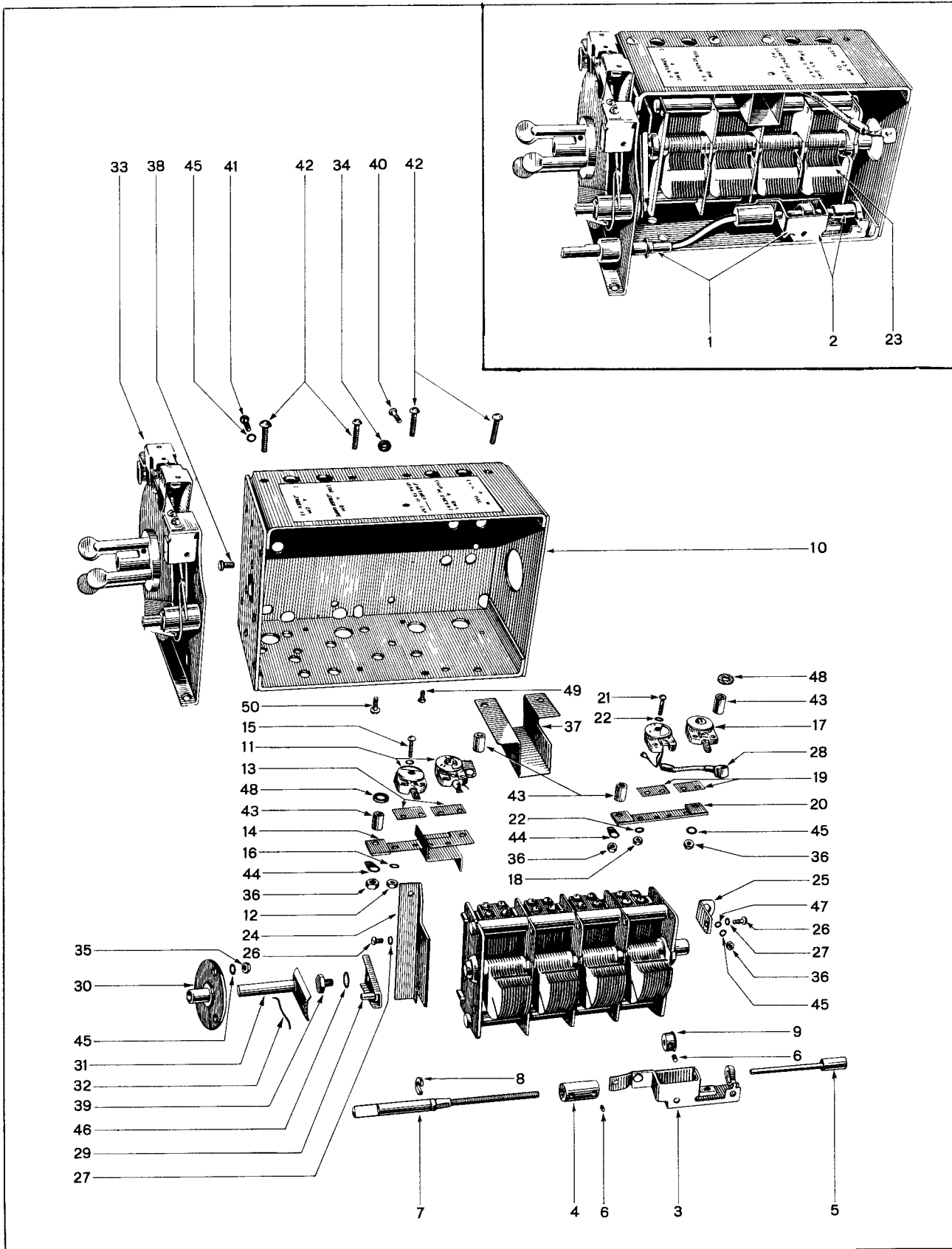
● These items only are carried in Ordnance as Spares. Full designation and V.A.O.S. number MUST be quoted on indents.



P.A. CAPACITOR ASSEMBLY

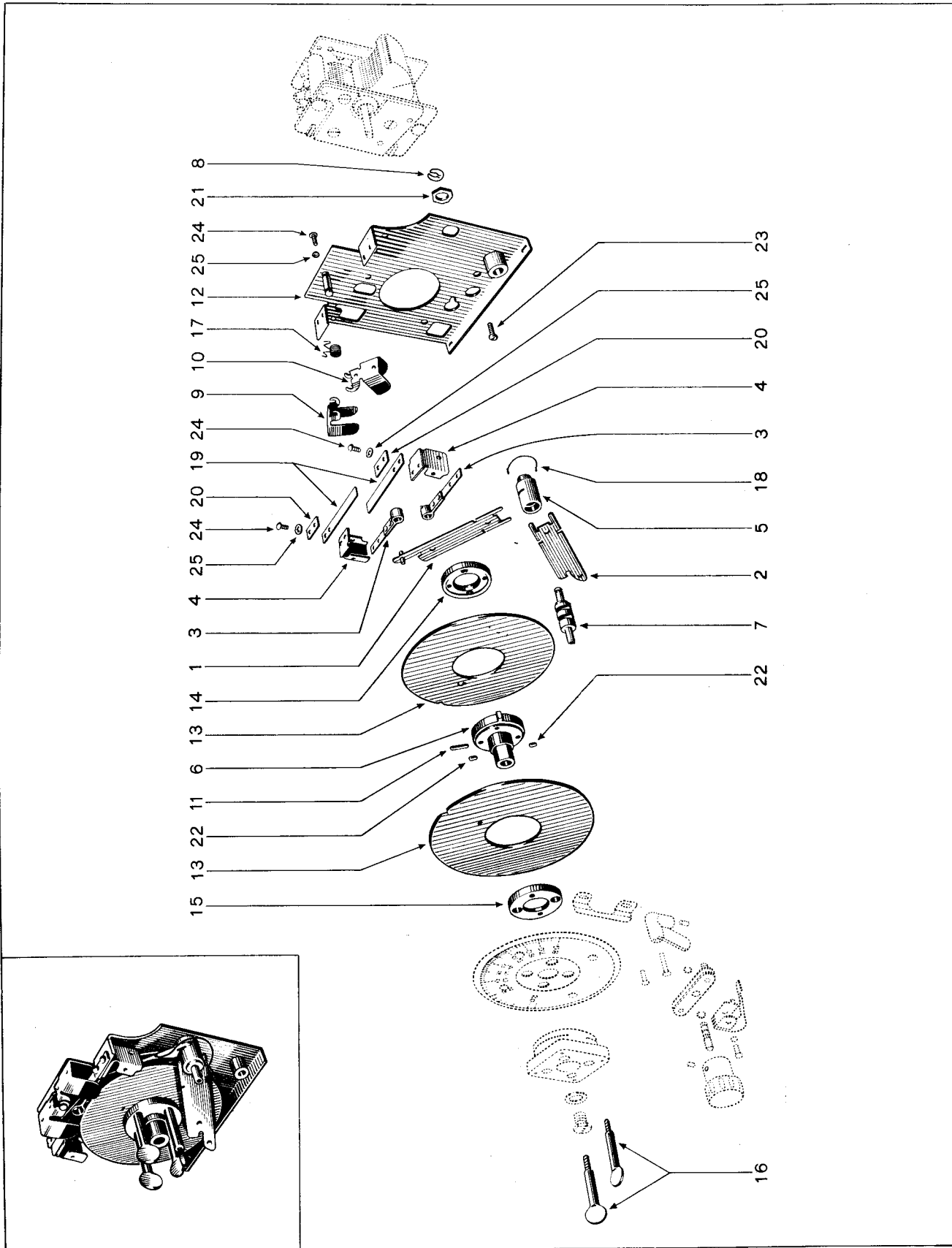
Det. No.	DESIGNATION	No. per Illus.	V. A. O. S.		Manufacturers Number	Cir. Ref.	Repair Schedule			
			Sect.	Number			Unit	Echelon		
								1st	2nd	4th
P. A. CAPACITOR ASSEMBLY										
1	BRACKET & SPRING ASSEMBLIES, No. C1.....	1	Z1	ZA/CAN 0233	PC 76542 C		X	X	R	
2	● DIALES, Engraved, No. C1.....	1	Z1	ZA/CAN 0210	PC 90685C-192		X	X	R	
3	● DRIVES, Slow Motion, No. 14.....	1	Z1	ZA 14494	PC 76351C-1		X	X	R	
4	PLATES, Bearing, Drives Slow Motion, No. C2..	1	Z1	ZA/CAN 0232	PC 43041C				R	
5	SPINDLES, Drive Slow Motion No. 14.....	1	Z1	ZA/CAN 0231	PC 32135C				R	
6	WASHERS, "C" Steel, 5/16-in. OD, 11/64-in. ID, .034-in. thick.....	2	Z2	ZB/CAN 0236	K 2895				R	
7	● HANDLES, No. 7.....	1	Z1	ZN 0339	PC 90612C		X	X	R	
8	● HANDLES, No. 72.....	1	Z1	ZA 14496	PC 59028C		X	X	R	
9	● HANDLES, No. 80.....	1	Z1	ZA 14556	PC 59029C		X	X	R	
10	PLATES, Stop, No. 1.....	2	Z1	ZA 14522	PC 45742C				R	
11	● POINTERS, No. 7.....	1	Z1	ZA 14524	PC 45859C		X	X	R	
12	● SCREWS, Brass, 5/16-in. x 3/8-in., Special, No. 1.....	1	Z1	ZA 14562	PC 32088C		X	X	R	
13	SPRINGS, Steel, Wire, No. 1.....	2	Z1	ZA 14271	PC 64284		X	X	R	
14	● UNITS, Capacitor and Drive, No. C2.....	1	Z1	ZA/CAN 0384	PC 76348C			X	R	
15	CAPACITORS, Variable, 1-Cang, 16-550-uuF....	1	Z1	ZA/CAN 0387	PC 80179C			X	R	
16	DRIVES, Condenser, No. 1.....(See Index)	1	Z1	ZA 14495				X	R	
17	WASHERS, Steel, 5/16-in. Special, No. 1.....	1	Z1	ZA 14327	PC 45989				R	
MOUNTING HARDWARE										
18	SCREWS, BA, Steel, Csk Hd, No. 6 x 1/2-in....	1	Z2	ZB/CAN 3179	R 11710-8				R	
19	SCREWS, BA, Steel, Grub, No. 4 x 1/4-in....	3	Z2	ZB/CAN 0366	PC 30031C				R	
20	● SCREWS, BA, Steel, RH, No. 4 x 3/4-in....	1	Z2	ZB/CAN 2945	R 11701-12		X	X	R	
21	SCREWS, Thread-Cutting, RH, 4-40 x 1/4-in....	2	Z2	ZB/CAN 3377	RCA 109892-1				R	
22	● WASHERS, Shakeproof No. 1206.....	1	Z2	ZB/CAN 0345	RCA 59049-19 R 15019-6		X	X	X	

● These items only are carried in Ordnance as Spares. Full designation and V.A.O.S. number MUST be quoted on indents.



UNITS, CAPACITOR AND DRIVE, NO. C3

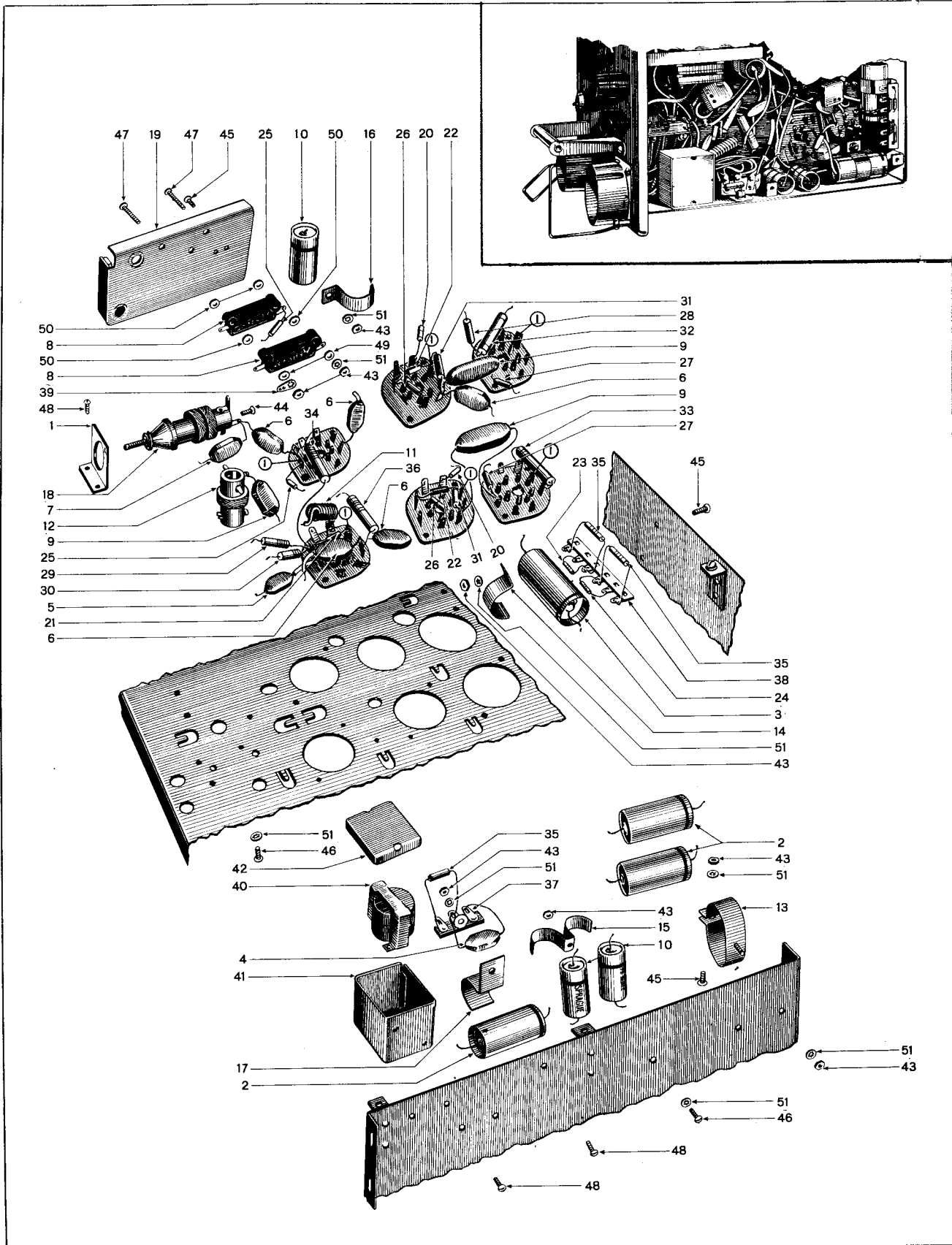
Det. No.	DESIGNATION	No. per Illus.	V. A. O. S.		Manufacturers Number	Cir. Ref.	Repair Schedule			
			Sect.	Number			Unit	Echelon		
								1st	2nd	4th
	• UNITS, CAPACITOR AND DRIVE, NO. C3		Z1	ZA/CAN 0492	RCA 105492-501	C9A-B-C-D C10A-B-C C35A			ER	R
1	ADJUSTERS, Frequency, No. C1.....	1	Z1	ZA/CAN 0524						R
2	BRACKET AND CORE ASSEMBLIES, Adjusters Frequency.....	1	Z1	ZA/CAN 0454	RCA 113825-501	L/C103A	X		R	R
3	BRACKETS, Bracket and Core Assemblies Adjusters Frequency.....	1	Z1	ZA/CAN 0455	RCA 111878-501					R
4	COUPLINGS, Adjusters Frequency.....	1	Z1	ZA/CAN 0458	RCA 111875					R
5	ROD AND CORE, Brackets and Core Assemblies Adjusters Frequency.....	1	Z1	ZA/CAN 0456	RCA 113803					R
6	SCREWS, BA, Steel, Grub, No. 4 x 1/8-in....	5	Z2	ZB/CAN 0496	RCA 113803					R
7	SHAFT ASSEMBLIES, Flexible, Adjusters Frequency.....	1	Z1	ZA/CAN 0459	RCA 113837-501					R
8	WASHERS, C, Steel, 7/16-in. OD, 3/16-in. ID, .025-in. thick.....	1	Z2	ZB/CAN 0501	RCA 113851-1		X	X		R
9	WHEELS, Index, Bracket and Core Assemblies Adjusters Frequency.....	1	Z1	ZA/CAN 0457	RCA 113801					R
10	CANS, Screening, Capacitor, No. C1.....	1	Z1	ZA/CAN 0462	RCA 105495					R
11	CAPACITOR ASSEMBLIES, Semi-Fixed, Double, 4-30-uuf, No. C1.....	1	Z1	ZA/CAN 0476	PC 80168 C					R
12	CAPACITORS, Ceramic, Semi-Fixed, 4-30-uuf, 500-Volt.....	2	Z1	ZA/CAN 0163	R 15196-1	C10B-C				R
13	NUTS, ANC, Brass, Hex, 2-56.....	4	Z2	ZB/CAN 3223	R 15016-2					R
14	PLATES, Fibre, Mounting, 11/16-in. x 1/2-in.....	2	Z1	ZA/CAN 0478	PC 92049 C-203					R
15	PLATES, Mounting and Screening, No. C1.....	1	Z1	ZA/CAN 0477	PC 46182 C-191					R
16	SCREWS, ANC, Brass, Fil H, 2 56 x 7/16-in..	4	Z2	ZB/CAN 3477						X
17	WASHERS, Shakeproof No. 1202.....	8	Z2	ZB/CAN 0500	RCA 59049-17					R
18	CAPACITOR ASSEMBLIES, Semi-Fixed, Double, 4-30-uuf, No. C2.....	1	Z1	ZA/CAN 0472	PC 80174 C					R
19	CAPACITORS, Ceramic, Semi-Fixed, 4-30-uuf, 500-Volt.....	2	Z1	ZA/CAN 0163	R 15196-1					R
20	NUTS, ANC, Brass, Hex, 2-56.....	4	Z2	ZB/CAN 3223	R 15016-2					R
21	PLATES, Fibre, Mounting, 11/16-in. x 1/2-in	2	Z1	ZA/CAN 0478	PC 92049 C-203					R
22	PLATES, Metal, Mounting, 2.3/8-in. x 21/32-in.....	1	Z1	ZA/CAN 0474	PC 80168 C-1					R
23	SCREWS, ANC, Brass, Fil H, 2-56 x 7/16-in..	4	Z2	ZB/CAN 3477						R
24	WASHERS, Shakeproof No. 1202.....	8	Z2	ZB/CAN 0500	RCA 59049-17					X
25	CAPACITORS, Variable, 4-Gang, 16-550-uuf...	1	Z1	ZA/CAN 0273	PC 80180 C	C9A-B-C-D				R
26	BRACKETS, Metal, Mounting, No. C1.....	1	Z1	ZA/CAN 0452						R
27	BRACKETS, Metal, Mounting, No. C2.....	1	Z1	ZA/CAN 0461						R
28	SCREWS, ANC, Steel, RH, 8-32 x 3/16-in....	2	Z2	ZB/CAN 0498						R
29	WASHERS, Steel, Lock, 5/16-in. OD, 3/16-in. ID, .038-in. thick.....	2	Z2	ZB/CAN 0503						R
30	CONNECTIONS, Valve Clip and Shielded Wire, 4-in. long.....	1	Z1	ZA/CAN 5254	PC 76428					R
31	CLIPS, Valve Connection, No. 1.....	1	Z1	ZA 11949	PC 72489 C					R
32	COUPLING ASSEMBLIES, Units Capacitor and Drive.....	1	Z1	ZA/CAN 0479						R
33	LEVER AND PIN, Coupling Assemblies Units Capacitor and Drive, No. C1.....	1	Z1	ZA/CAN 0480	PC 80180 C-221					R
34	PLATE AND BUSHING, Coupling Assemblies Units Capacitor and Drive, No. C1.....	1	Z1	ZA/CAN 0481	PC 80180 C-224					R
35	SHAFT AND LEVER, Coupling Assemblies Units Capacitor and Drive, No. C1.....	1	Z1	ZA/CAN 0482	PC 80180 C-225					R
36	SPRINGS, Coupling Assemblies Units Capacitor and Drive, No. C1.....	1	Z1	ZA/CAN 0483	PC 80180 C-219					R
37	DRIVES, Condenser, No. 1.....(See Index)	1	Z1	ZA 14495						R
38	GROMMETS, Rubber 9/32-in. ID, 3/8-1/16-in. Panel.....	1	Z1	ZA/CAN 0394	K 4534-6					X
39	NUTS, ANC, Brass, Hex, 6-32.....	3	Z2	ZB/CAN 3226	R 15016-6					R
40	NUTS, BA, Brass, Hex, No. 4.....	5	Z2	ZB/CAN 3205	R 11733-4		X	X		R
41	PLATES, Screening, No. C1.....	1	Z1	ZA/CAN 0494	PC 80180 C-228					R
42	SCREWS, ANC, Steel, Csk H, 6-32 x 1/4-in....	3	Z2	ZB/CAN 3086	R 15069-4					R
43	SCREWS, ANC, Steel, Hex, 8-32 x 1/4-in....	1	Z1	ZA/CAN 0499	PC 0716					R
44	SCREWS, BA, Steel, Csk H, No. 4 x 3/8-in....	1	Z2	ZB/CAN 3164	R 11709-6		X	X		R
45	SCREWS, BA, Steel, RH, No. 4 x 3/8-in....	2	Z2	ZB/CAN 2939	R 11701-6		X	X		R
46	SCREWS, BA, Steel, RH, No. 4 x 3/4-in....	4	Z2	ZB/CAN 2945	R 11701-12		X	X		R
47	SPACERS, Brass, 1/4-in. OD, 5/32-in. ID, 23/64-in. long.....	4	Z1	ZA/CAN 0490	PC 30390 C					R
48	TAGS, Shakeproof No. 2106-6.....	2	Z1	ZA/CAN 0332	R 15011-6					R
49	WASHERS, Shakeproof No. 1206.....	6	Z2	ZB/CAN 0345	R 15019-6		X	X		X
50	WASHERS, Shakeproof No. 1210.....	1	Z2	ZB/CAN 0347	R 15019-10		X	X		X
	WASHERS, Steel, 5/16-in. OD, 5/32-in. ID, .035-in. thick.....	1	Z2	ZB/CAN 0502						R
	WASHERS, Steel, 3/8-in. OD, 11/64-in. ID, .060-in. thick.....	2	Z2	ZB/CAN 0475						R
	MOUNTING HARDWARE									
49	SCREWS, BA, Steel, Csk H, No. 4 x 1/4-in....	2	Z2	ZB/CAN 3162	R 11709-4					R
50	SCREWS, Thread-cutting, RH, 6-32 x 3/8-in..	5	Z2	ZB/CAN 3387	RCA 109892-11					R



DRIVES, CONDENSER, NO. 1

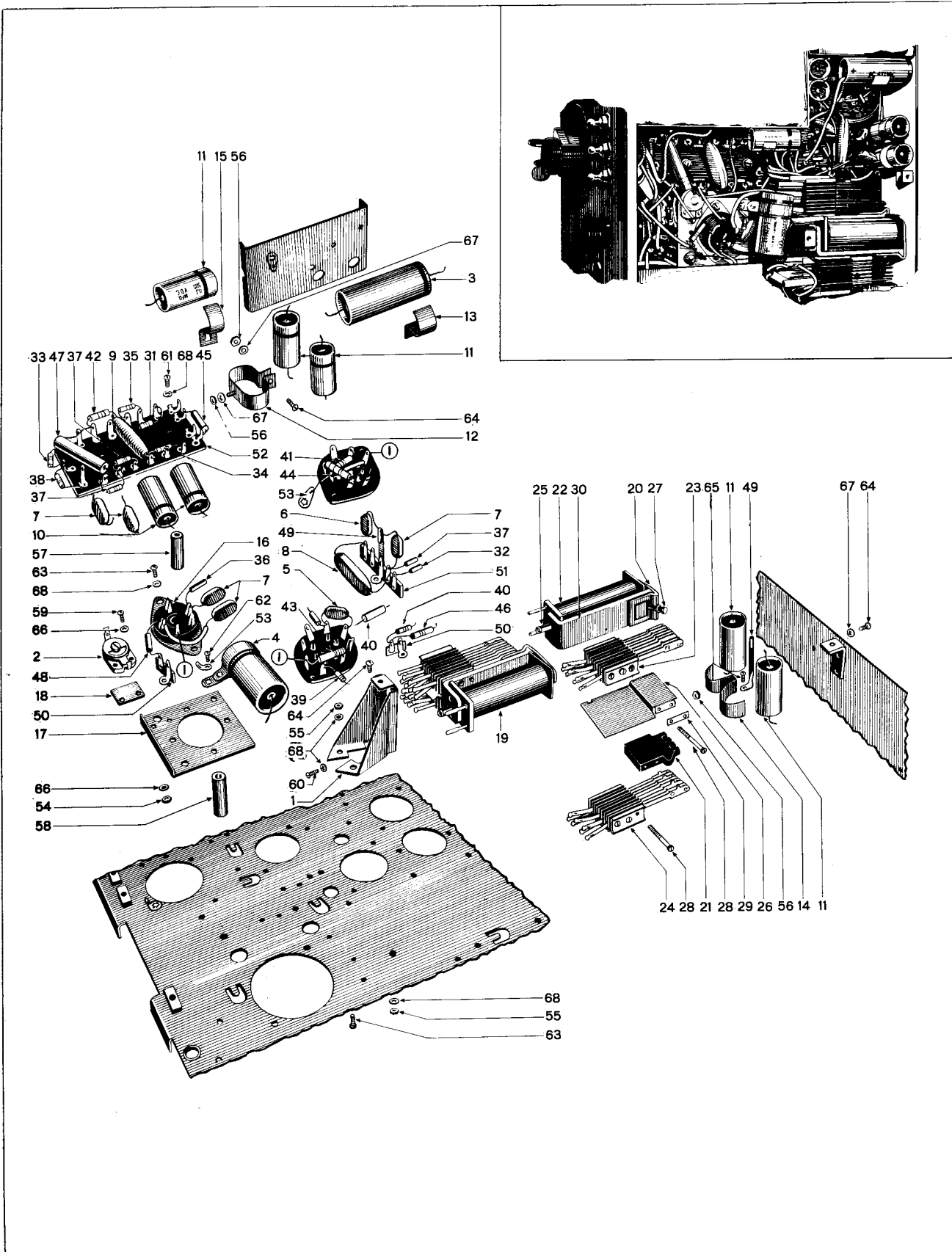
Det. No.	DESIGNATION	No. per Illus.	V. A. O. S.		Manufacturers Number	Cir. Ref.	Repair Schedule			
			Sect.	Number			Unit	Echelon		
								1st	2nd	4th
	DRIVES, CONDENSER, NO. 1		Z1	ZA 14495					R	R
1	● ARMS, Flick Control, No. 1.....	1	Z1	ZA 14550	PC 45758 C-191				R	R
2	ARMS, Flick Control, No. 2.....	1	Z1	ZA 14549	PC 45758 C				R	R
3	ARMS, Flick Locating, No. 1.....	2	Z1	ZA 14548	PC 90650 C				R	R
4	BRACKETS, Supporting, No. 1.....	2	Z1	ZA 14553	PC 45745 C				ER	R
5	BUSHES, Bearing, No. 2.....	1	Z1	ZA 14551	PC 32081 C				R	R
6	BUSHES, Dial Mounting, No. 2.....	1	Z1	ZA 14552	PC 59027 C				R	R
7	CAMS, Metal, No. 1.....	1	Z1	ZA 14554	PC 32082 C				R	R
8	● CIRCLIPS, No. 1.....	1	Z1	ZA 14555	PC 71502 G		X		X	R
9	INDICATORS, Flick, Left-Hand, No. Cl.....	1	Z1	ZA/CAN 0219	PC 45759 C/B				R	R
10	INDICATORS, Flick, Right-Hand, No. Cl.....	1	Z1	ZA/CAN 0220	PC 45759 C/A				R	R
11	PINS, Metal, Taper, 13/16-in. long.....	1	Z1	ZA/CAN 0215	PC 31862 C				R	R
12	PLATES, Drive Mounting, No. 2.....	1	Z1	ZA 14558	PC 45755 C				R	R
13	PLATES, Location, No. 1.....	2	Z1	ZA 14559	PC 45757 C				R	R
14	PLATES, Locking, No. 1.....	1	Z1	ZA 14560	PC 32085 C				R	R
15	PLATES, Locking, No. 2.....	1	Z1	ZA 14561	PC 32085 C-192				R	R
16	● SCREWS, Clamping, No. C2.....	4	Z1	ZA/CAN 4363	PC 32089 C-Det.2		X	X	X	X
17	SPRINGS, Coil, 1/4-in. x 1/4-in., Special, No. 1.....	1	Z1	ZA 14563	PC 90646 C				X	R
18	● SPRINGS, Hairpin, No. 1.....	1	Z1	ZA 14564	PC 90647 C		X	X	X	R
19	SPRINGS, Steel, Flat, No. 1.....	2	Z1	ZA 14565	PC 90648 C				X	R
20	STRIPS, Spring, 5/8-in. x 1/4-in.....	2	Z1	ZA/CAN 0225	PC 90648 C-191				X	R
	MOUNTING HARDWARE									
21	NUTS, Brass, Hex, 3/8-26, Special.....		Z1	ZA/CAN 0244						R
22	SCREWS, ANF, Steel, Grub, Cup Point, 10-32 x 3/16-in.....		Z2	ZB/CAN 2788					X	R
23	● SCREWS, BA, Steel, RH, No. 4 x 5/16-in.....		Z2	ZB/CAN 2938	R 11701-5		X	X	X	R
24	● SCREWS, BA, Steel, RH, No. 6 x 5/16-in.....		Z2	ZB/CAN 2951			X	X	X	R
25	● WASHERS, Shakeproof No. 1204.....		Z2	ZB/CAN 0344	RCA 59049-18 R 15019-4		X	X	X	X

● These items only are carried in Ordnance as Spares. Full designation and V.A.O.S. number MUST be quoted on indents.



UNDERCHASSIS ILLUSTRATION NO. 1

Det. No.	DESIGNATION	No. per Illus.	V. A. O. S.		Manufacturers Number	Cir. Ref.	Repair Schedule			
			Sect.	Number			Unit	Echelon		
								1st	2nd	4th
UNDERCHASSIS ILLUSTRATION NO. 1										
1	BRACKET, Metal, Coil Mounting, No. C1.....	1	Z1	ZA/CAN 0504	PC 45744 C					R
2	● CAPACITORS, Electrolytic, Dry, 2-uF, 400-Volt, -0% 100%.....	3	Z1	ZA/CAN 0276	PC 67193 C	C31A-B-C	X	X	X	
3	● CAPACITORS, Electrolytic, Dry, 12-uF, 50-Volt, -0% 100%.....	1	Z1	ZA/CAN 0275	PC 67136 C	C16 B	X	X	X	
4	● CAPACITORS, Mica, 100-uuF, 500-Volt, 20%....	1	Z1	ZA/CM20A101M	PC 66096 C PC 66718 C	C 14 B	X	X	X	
5	● CAPACITORS, Mica, 500-uuF, 500-Volt, 2%.....	1	Z1	ZA/CAN 0015	PC 66172 C	C 37 A C 15 G	X	X	X	
6	● CAPACITORS, Mica, 500-uuF, 500-Volt, 20%....	5	Z1	ZA/CAN 0014	PC 66095 C	C15H-J-K-L	X	X	X	
7	● CAPACITORS, Mica, 700-uuF, 500-Volt, 5%.....	1	Z1	ZA/CAN 0018	PC 66202 C	C 28 A	X	X	X	
8	● CAPACITORS, Mica, 1000-uuF, 500-V, 20%, No. C1	2	Z1	ZA/CAN 0021	PC 66747C (Sh.1)	C30A-B	X	X	X	
9	● CAPACITORS, Mica, 10,000-uuF, 600-Volt, -60% + 20%.....	3	Z1	ZA/CAN 0057	PC 68184 C	C29A-B-C	X	X	X	
10	● CAPACITORS, Oil-Paper, 0.1-uF, 500-Volt, 20%, No. C1.....	3	Z1	ZA/CAN 0097	PC 68182 C	C4V-W-X	X	X	X	
11	● CHOKES, RF, No. C1.....	1	Z1	ZA/CAN 0506	PC 78320 C	L 15 A	R	R	R	
12	● CHOKES, RF, No. C2.....	1	Z1	ZA/CAN 0505	PC 79114 C	L 13 A	R	R	R	
13	● CLAMPS, Capacitor, Double, No. C2.....	1	Z1	ZA/CAN 0507	PC 92049 C-201		X	R	R	
14	● CLEATS, Capacitor, No. C1.....	1	Z1	ZA/CAN 0508	PC 92049 C-199				R	
15	● CLEATS, Capacitor, Double, No. C1.....	1	Z1	ZA/CAN 0509	PC 45752 C				R	
16	● CLEATS, Condenser, No. 3.....	1	Z1	ZA 11831	PC 42968 C Det.2		X	R	R	
17	● CLEATS, Condenser, No. 5.....	1	Z1	ZA 14484	PC 42967 C-2		X	R	R	
18	● INDUCTANCES, Variable, No. C1.....	1	Z1	ZA/CAN 0512	PC 78437 C	L 14 A			R	
19	PANELS, Metal, Component Mounting, No. C1...	1	Z1	ZA/CAN 0513	PC 76493 C				R	
20	● RESISTORS, Metallized, 1/4-Watt, 1000-Ohms, 10%.....	2	Z1	ZA/RC10AE102K	PC 72988 C	R9B-C	X	X	X	
21	● RESISTORS, Metallized, 1/4-Watt, 3300-Ohms, 10%.....	1	Z1	ZA/RC10AE332K	PC 70713 C	R 11 B		X	X	
22	● RESISTORS, Metallized, 1/4-Watt, 22,000-Ohms, 10%.....	2	Z1	ZA/RC10AE223K	PC 70725 C	R23 C-E	X	X	X	
23	● RESISTORS, Metallized, 1/4-Watt, 27,000-Ohms, 10%.....	1	Z1	ZA/RC10AE273K	PC 70724 C	R 21 B	X	X	X	
24	● RESISTORS, Metallized, 1/4-Watt, 39,000-Ohms, 10%.....	1	Z1	ZA/RC10AE393K	PC 70736 C	R 36 A	X	X	X	
25	● RESISTORS, Metallized, 1/4-Watt, 47,000-Ohms, 10%.....	2	Z1	ZA/RC10AE473K	PC 70729 C	R 6 G-H	X	X	X	
26	● RESISTORS, Metallized, 1/4-Watt, 470,000-Ohms, 20%.....	2	Z1	ZA/RC10AE474M	PC 70722 C	R 1AF	X	X	X	
27	● RESISTORS, Metallized, 1/4-Watt, 1-Megohm, 20%.....	2	Z1	ZA/RC10AE105M	PC 70723 C	R 8D-F	X	X	X	
28	● RESISTORS, Metallized, 1/2-Watt, 1000-Ohms, 10%.....	1	Z1	ZA/RC21AE102K	PC 72988 C-1	R 9 D	X	X	X	
29	● RESISTORS, Metallized, 1/2-Watt, 27,000-Ohms, 10%.....	1	Z1	ZA/RC21AE273K	PC 90474 C	R 33 A	EX	X	X	
30	● RESISTORS, Metallized, 1/2-Watt, 47,000-Ohms, 10%.....	1	Z1	ZA/RC21AE473K	PC 70721 C	R33.1A	EX	X	X	
31	● RESISTORS, Metallized, 1/2-Watt, 100,000-Ohms, 20%.....	2	Z1	ZA/RC21AE104M	PC 70743 C-1	R7J-K	X	X	X	
32	● RESISTORS, Metallized, 1-Watt, 390-Ohms, 10%	1	Z1	ZA/RC31AE391K	PC 70731 C	R 37 A	X	X	X	
33	● RESISTORS, Metallized, 1-Watt, 820-Ohms, 10%	1	Z1	ZA/RC31AE821K	PC 70714 C-2	R 39 A	X	X	X	
34	● RESISTORS, Metallized, 1-Watt, 47,000-Ohms, 10%.....	1	Z1	ZA/RC31AE473K	PC 70742 C-2	R 34 A		X	X	
35	● RESISTORS, Wirewound, 1/2-Watt, 220-Ohms, 10%.....	3	Z1	ZA/CAN 0278	PC 70732 C	R20C-D-E	X	X	X	
36	● RESISTORS, Wirewound, 1-Watt, 56-Ohms, 5%	1	Z1	ZA/CAN 0310	PC 89034 C	R 38 A	X	R	R	
37	● STRIPS, Tag, 3-Way, No. 2.....	1	Z1	ZA 12462	PC 70253 C		X	R	R	
38	● STRIPS, Tag, 6-Way, 2.1/4-in. Long.....	1	Z1	ZA/CAN 0189	PC 70683 C		X	R	R	
39	● TAGS, Shakeproof No. 2102-6.....	1	Z1	ZA/CAN 0322	R 15057-6				R	
40	● TRANSFORMERS, Microphone, No. C1.....	1	Z1	ZA/CAN 0427	RCA 109955-501 PC 77368 C	T4B	EX	R	R	
41	● CANS, Screening, Coil, No. 11.....	1	Z1	ZA 14991	PC 45748 C				R	
42	● COVERS, Screening Can, No. 3.....	1	Z1	ZA 14992	PC 45749 C				R	
MOUNTING HARDWARE										
43	● NUTS, BA, Brass, Hex, No. 6.....	Z2	ZB/CAN 3207	R 11733-6			X	X	R	
44	● SCREWS, BA, Steel, Csk H, No. 4 x 1/4-in....	Z2	ZB/CAN 3162	R 11709-4					R	
45	● SCREWS, BA, Steel, RH, No. 6 x 5/16-in....	Z2	ZB/CAN 2951	R 11702-5			X	X	R	
46	● SCREWS, BA, Steel, RH, No. 6 x 7/16-in....	Z2	ZB/CAN 2953	R 11702-7			X	X	R	
47	● SCREWS, BA, Steel, RH, No. 6 x 7/8-in....	Z2	ZB/CAN 2960	R 11702-14			X	X	R	
48	● SCREWS, Self-Tapping, P-K Type Z, RH, No. 6 x 1/4-in.....	Z2	ZB/CAN 3449	NE 1032-2					R	
49	● WASHERS, Brass, 9/32-in. OD, 1/8-in. ID, .032-in. Thick.....	Z2	ZB/CAN 0511	RCA 102548-10					R	
50	● WASHERS, Phenolic, 1/4-in. OD, 7/64-in. ID, .062-in. Thick.....	Z1	ZA/CAN 0510	PC 40933 C R 15019-4					R	
51	● WASHERS, Shakeproof No. 1204.....	Z2	ZB/CAN 0344	RCA 59049-18			X	X	X	



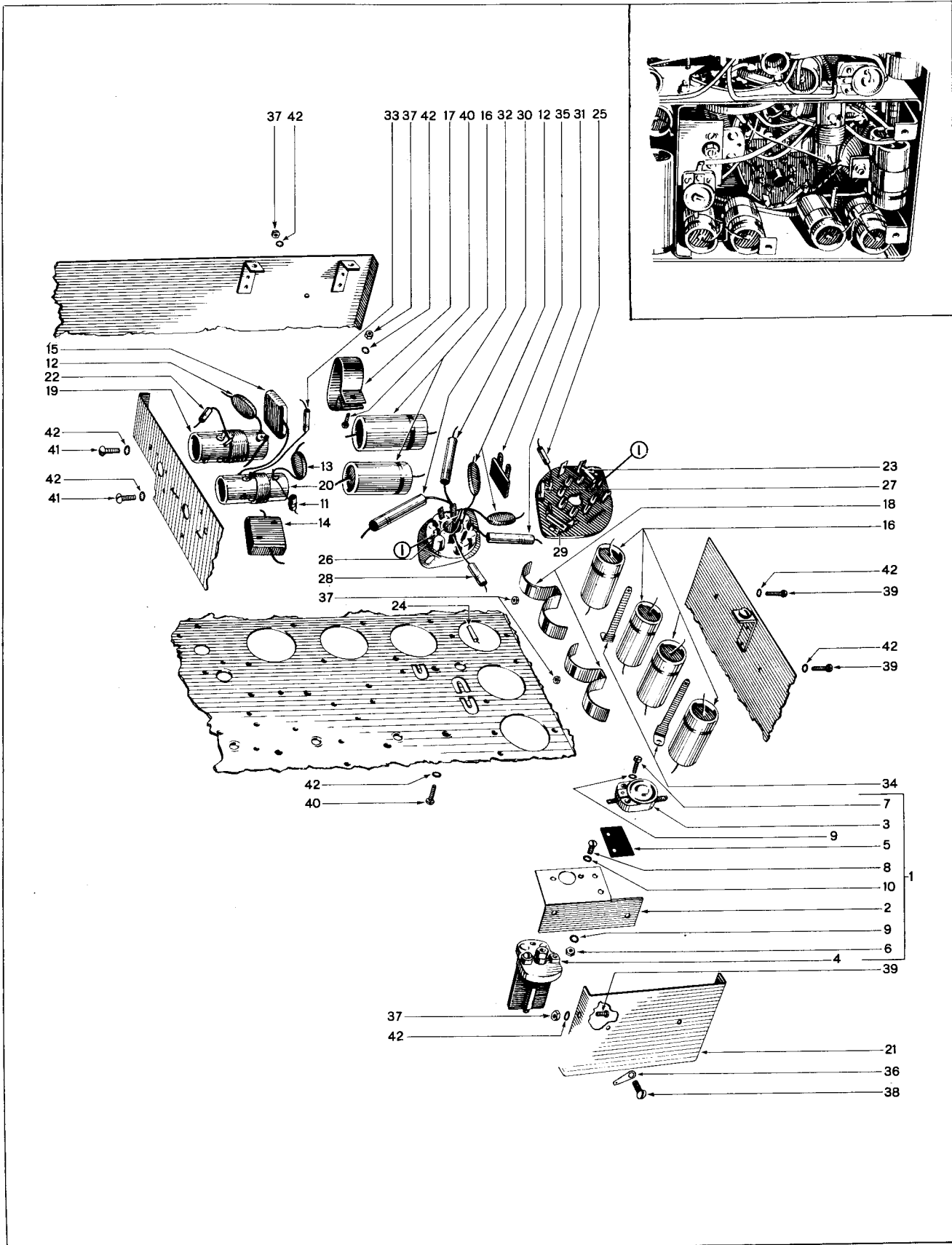
UNDERCHASSIS ILLUSTRATION NO. 2

**ELECTRICAL & MECHANICAL
ENGINEERING REGULATIONS**

Det. No.	DESIGNATION	No. per Illus.	V. A. O. S.		Manufacturers Number	Cir. Ref.	Repair Schedule			
			Sect.	Number			Unit	Echelon		
								1st	2nd	4th
UNDERCHASSIS ILLUSTRATION NO. 2										
1	● BRACKETS, Relay, Mounting, No. 5.....	2	Z1	ZA 14566	PC 45853 C			X	X	R
2	● CAPACITORS, Ceramic, Semi-Fixed, 7-45-uuF, 500-Volt.....	1	Z1	ZA/CAN 0516	R 15196-2	C 34 A			R	R
3	● CAPACITORS, Electrolytic, Dry, 12-uuF, 50-Volt, -0% 100%.....	1	Z1	ZA/CAN 0275	PC 67136 C	C 16 A		X	X	X
4	● CAPACITORS, Electrolytic, Dry, 12-uuF, 100-Volt.....	1	Z1	ZA/CAN 0277	RCA 113927-1	C/C107A		X	X	X
5	● CAPACITORS, Mica, 20-uuF, 500-Volt, 20%....	1	Z1	ZA/CM 20A200M	PC 66242 C	C 18 A		X	X	X
6	● CAPACITORS, Mica, 100-uuF, 500-Volt, 20%....	1	Z1	ZA/CM 20A101M	PC 66718 C					
7	● CAPACITORS, Mica, 500-uuF, 500-Volt, 20%....	5	Z1	ZA/CAN 0014	PC 66096 C	C 14 A		X	X	X
8	● CAPACITORS, Mica, 2000-uuF, 500-Volt, 20%, No. C2.....	1	Z1	ZA/CM 30A202M	PC 68152 C	C 17 A		X	X	X
9	● CAPACITORS, Mica, 5000-uuF, 500-Volt, 20%....	1	Z1	ZA/CAN 0050	PC 68147 C	C 23 A		X	X	X
10	● CAPACITORS, Oil-Paper, .025-uuF, 500-Volt, 20%.....	2	Z1	ZA/CAN 0100	PC 68183 C					
11	● CAPACITORS, Oil-Paper, 0.1-uuF, 500-Volt, 20%, No. C1.....	5	Z1	ZA/CAN 0097	PC 68182 C	C4K-L-M-N-O		X	X	X
12	● CLAMPS, Capacitor, Double, No. C1.....	1	Z1	ZA/CAN 0539	PC 92049 C-200			X	X	R
13	● CLEATS, Capacitor, No. C1.....	1	Z1	ZA/CAN 0508	PC 92049 C-199					R
14	● CLEATS, Capacitor, Double, No. C1.....	1	Z1	ZA/CAN 0509	PC 45752 C					R
15	● CLEATS, Condenser, No. 3.....	1	Z1	ZA 11831	PC 42968 C Det.2			X	X	R
16	● HOLDERS, Valve, 5-Pin, No. 12..... OR	1	Z1	ZA 11058						R
17	● HOLDERS, Valve, 5-Pin, 1.1/2-in. Centres, No. C1.....	1	Z1	ZA/CAN 5346	PC 90649 C			X	X	R
18	● PANELS, Component Mounting, No. 8.....	1	Z1	ZA 14513	PC 45740 C			X	X	R
19	● PLATES, Phenolic, 7/8-in. x 41/64-in. x .020-in. thick.....	1	Z1	ZA/CAN 5243	PC 6106 C					R
20	● RELAYS, WT, No. 26.....	2	Z1	ZA/CAN/BR 2811	PC 90611 C	S 5A-B		EA	R	R
21	● ARMATURES, Relays WT.....	2	Z1	ZA/CAN 0526						R
22	● BLOCKS, Phenolic, Relays WT.....	2	Z1	ZA/CAN 0528						R
23	● COILS, Relays WT.....	2	Z1	ZA/CAN 0530	PC 58732	I 19A-B				R
24	● CONTACT SPRING ASSEMBLIES, Left, Relays WT.....	2	Z1	ZA/CAN 0532						R
25	● CONTACT SPRING ASSEMBLIES, Right, Relays WT.....	2	Z1	ZA/CAN 0533						R
26	● NUTS, Coil Securing, BA, No. 2, Relays WT.....	2	Z1	ZA/CAN 0531						R
27	● PLATES, Screening, Relays WT.....	2	Z1	ZA/CAN 0534	PC 45927 C					R
28	● SCREW ASSEMBLIES, Armature Relays WT.....	2	Z1	ZA/CAN 0527						R
29	● SCREWS, BA, Steel, Ch H, No. 6 x 1.1/4-in.....	4	Z1	ZA/CAN 0529	PC 30103					R
30	● SPRINGS, Relays WT.....	2	Z1	ZA/CAN 0546						R
31	● YOKES, Metal, Relays WT.....	2	Z1	ZA/CAN 0535	PC 58740					R
32	● RESISTORS, Metallized, 1/4-Watt, 1000-Ohms, 10%.....	1	Z1	ZA/RC 10AE102K	PC 72988 C	R 9 E		X	X	X
33	● RESISTORS, Metallized, 1/4-Watt, 2200-Ohms, 10%.....	1	Z1	ZA/RC 10AE222K	PC 70726 C	R 5 C		X	X	X
34	● RESISTORS, Metallized, 1/4-Watt, 10,000-Ohms, 10%.....	1	Z1	ZA/RC 10AE103K	PC 72648 C	R 42 B			X	X
35	● RESISTORS, Metallized, 1/4-Watt, 27,000-Ohms, 10%.....	1	Z1	ZA/RC 10AE273K	PC 70724 C	R 21 A		X	X	X
36	● RESISTORS, Metallized, 1/4-Watt, 47,000-Ohms, 10%.....	1	Z1	ZA/RC 10AE473K	PC 70729 C	R 6 F		X	X	X
37	● RESISTORS, Metallized, 1/4-Watt, 82,000-Ohms, 10%.....	1	Z1	ZA/RC 10AE823K	PC 70728 C	R 19 A		X	X	X
38	● RESISTORS, Metallized, 1/4-Watt, 100,000-Ohms, 20%.....	3	Z1	ZA/RC 10AE104M	PC 70743 C					X
39	● RESISTORS, Metallized, 1/4-Watt, 220,000-Ohms, 20%.....	1	Z1	ZA/RC 10AE224M	PC 70744 C	R 15 B			X	X
40	● RESISTORS, Metallized, 1/4-Watt, 470,000-Ohms, 20%.....	1	Z1	ZA/RC 10AE474M	PC 70722 C	R 1 B		X	X	X
41	● RESISTORS, Metallized, 1/4-Watt, 1-Megohm, 20%.....	2	Z1	ZA/RC 10AE105M	PC 70723 C	R 8 A-B		X	X	X
42	● RESISTORS, Metallized, 1/2-Watt, 270-Ohms, 10%.....	1	Z1	ZA/RC 21AE271K	PC 70730 C	R 3 B		X	X	X
43	● RESISTORS, Metallized, 1/2-Watt, 3,300-Ohms, 10%.....	1	Z1	ZA/RC 21AE332K	PC 70713 C-1	R 11 A		X	X	X
44	● RESISTORS, Metallized, 1/2-Watt, 68,000-Ohms, 10%.....	1	Z1	ZA/RC 21AE683K	PC 70717 C-1	R 12 A		X	X	X
45	● RESISTORS, Metallized, 1/2-Watt, 82,000-Ohms, 10%.....	1	Z1	ZA/RC 21AE823K	PC 70728 C-1	R 19 B		X	X	X
46	● RESISTORS, Metallized, 1/2-Watt, 270,000-Ohms, 10%.....	1	Z1	ZA/RC 21AE274K	PC 70727 C-1	R 18 B		X	X	X
47	● RESISTORS, Metallized, 1/2-Watt, 1-Megohm, 20%.....	1	Z1	ZA/RC 21AE105M	RCA 113804-4	R/C103A		X	X	X
48	● RESISTORS, Metallized, 2-Watt, 1500-Ohms, 10%.....	1	Z1	ZA/RC 41AE152K	RCA 113804-3	R/C104A		X	X	X
49	● STRIPS, Metal, Earthing, 2.1/2-in. x 9/32-in.....	1	Z1	ZA/CAN 0520	PC 92049-191	R 20 A		X	X	X

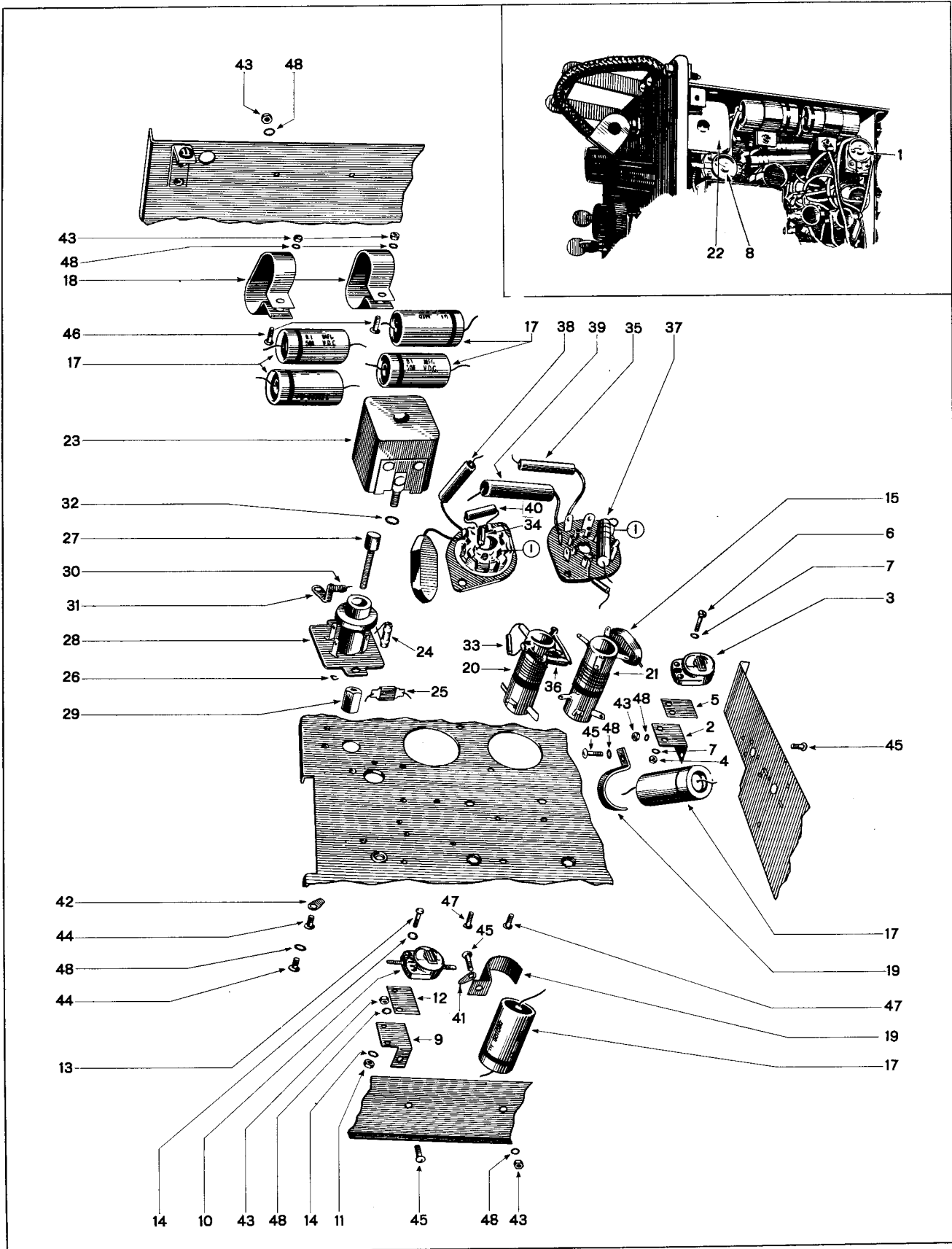
Det. No.	DESIGNATION	No. per Illus.	V. A. O. S.		Manufacturers Number	Cir. Ref.	Repair Schedule			
			Sect.	Number			Unit	Echelon		
								1st	2nd	4th
50	● STRIPS, Tag, 2-Way, No. 4.....	2	Z1	ZA 14529	PC 90202 C					
51	● STRIPS, Tag, 5-Way, No. 2.....	1	Z1	ZA 12699	PC 90794 C					
52	● STRIPS, Tag, 19-Way, 3.9/16-in. long.....	1	Z1	ZA/CAN 0522	PC 90744 C					
53	● TAGS, Shakeproof No. 2106-6.....	4	Z1	ZA/CAN 0332	R 15011-6					
MOUNTING HARDWARE										
54	● NUTS, ANC, Brass, Hex, 2-56.....		Z2	ZB/CAN 3223	R 15016-2					R
55	● NUTS, BA, Brass, Hex, No. 4.....		Z2	ZB/CAN 3205	R 11733-4		X	X		R
56	● NUTS, BA, Brass, Hex, No. 6.....		Z2	ZB/CAN 3207	R 11733-6		X	X		R
57	● PILLARS, Metal, Mounting, 5/16-in. OD, 3/4-in. long.....		Z1	ZA/CAN 0523	PC 90744C-192					R
58	● PILLARS, Metal, Mounting, 5/16-in. OD, 1.13/64-in. long.....		Z1	ZA/CAN 0519	PC 32103 C		X	X		R
59	● SCREWS, ANC, Steel, Fil H, 2-56 x 3/8-in....		Z2	ZB/CAN 3530						R
60	● SCREWS, BA, Steel, Ch H, No. 4 x 1/4-in....		Z2	ZA/CAN 2866	R 11725-4 LPC 30124					R
61	● SCREWS, BA, Steel, RH, No. 4 x 1/4-in.....		Z2	ZB/CAN 2937	R 11701-4		X	X		R
62	● SCREWS, BA, Steel, RH, No. 4 x 5/16-in.....		Z2	ZB/CAN 2938	R 11701-5		X	X		R
63	● SCREWS, BA, Steel, RH, No. 4 x 3/8-in.....		Z2	ZB/CAN 2939	R 11701-6		X	X		R
64	● SCREWS, BA, Steel, RH, No. 6 x 3/8-in.....		Z2	ZB/CAN 2952	R 11702-6		X	X		R
65	● SCREWS, Thread-Cutting, RH, 6-32 x 1/4-in..		Z2	ZB/CAN 3385	RCA 109892		X	X		R
66	● WASHERS, Shakeproof No. 1202.....		Z2	ZB/CAN 0500	RCA 59049-17					X
67	● WASHERS, Shakeproof No. 1204.....		Z2	ZB/CAN 0344	RCA 59049-18		X	X		X
68	● WASHERS, Shakeproof No. 1206.....		Z2	ZB/CAN 0345	RCA 59049-19		X	X		X
	★ EARLIER SETS HAD RESISTOR SHOWN BELOW:									
	● RESISTORS, Metallized, 1/2-Watt, 470-Ohms, 10%.....		Z1	ZA/RC 21A8471K	PC 70735 C	R 9 E	X	X		X
	▼ EARLIER SETS HAD CAPACITOR "C 17 B" MOUNTED ON TOP OF STRIP. IT WAS A MICA CAPACITOR AS BELOW:									
	● CAPACITORS, Mica, 2000-uuF, 500-Volt, 20%, No. C2.....		Z1	ZA/CM 30A202M	PC 68152 C	C 17 B	X	X		X
	■ SOME SETS USED THE ALTERNATIVE SHOCK-ABSORBING PLATE SHOWN BELOW:									
	PLATES, Fibre, Mounting, 11/16-in. x 1/2-in.....		Z1	ZA/CAN 0478	PC 92049C-203					R

● These items only are carried in Ordnance as Spares. Full designation and V A O S number MUST be quoted on indents



UNDERCHASSIS ILLUSTRATION NO. 3

Det. No.	DESIGNATION	No. per Illus.	V. A. O. S.		Manufacturers Number	Cir. Ref.	Repair Schedule			
			Sect.	Number			Unit	Echelon		
								1st	2nd	4th
UNDERCHASSIS ILLUSTRATION NO. 3										
1	● CAPACITOR ASSEMBLIES, 3-13-uuf, 6.5-140-uuf.....	1	Z1	ZA/CAN 1664	PC 80128C-191				X	R
2	BRACKETS, Metal, Component Mounting, No. Cl.....	1	Z1	ZA/CAN 0537	PC 80128C-194					R
3	● CAPACITORS, Ceramic, Semi-Fixed, 3-13-uuf, 500-Volts.....	1	Z1	ZA/CAN 1529	R 15196-3	C35B			X	X
4	CAPACITORS, Variable, 1-Gang, 6.5-140-uuf, 500-Volts.....	1	Z1	ZA/CAN 0272	PC 80128C	C11A			R	R
5	PLATES, Phenolic, 7/8-in. x 4 1/2-in. x .020-in. thick.....	1	Z1	ZA/CAN 5243	PC 6106C					R
6	NUTS, ANC, Brass, Hex, 2-56.....	2	Z2	ZB/CAN 3223	[RCA 57435-51 R 15016-2 R 15051-6 R 1754-4 RCA 59049-17 [RCA 59049-18 R 15019-4					R R R X
7	● SCREWS, ANC, Brass, Fil H, 2-56 x 3/8-in....	2	Z2	ZB/CAN 3476				X	X	R
8	SCREWS, ASC, Steel, RH, 4036 x 1/4-in.....	2	Z2	ZB/CAN 0540						R
9	WASHERS, Shakeproof No. 1202.....	2	Z2	ZB/CAN 0500						R
10	● WASHERS, Shakeproof No. 1204.....	2	Z2	ZB/CAN 0344						X
11	● CAPACITORS, Ceramic, Tubular, 50-uuf, 500-Volts, 5%.....	1	Z1	ZA/CAN 0538	PC 66123C	C6A			X	X
12	● CAPACITORS, Mica, 30-uuf, 500-Volts, 20%...	2	Z1	ZA/CM 20A300M	[PC 66240C-191 [PC 66717C	C21A C7A			X	X
13	● CAPACITORS, Mica, 100-uuf, 500-Volts, 20%..	1	Z1	ZA/CM 20A101M	[PC 66718C [PC 66096C	C2B			X	X
14	● CAPACITORS, Mica, 1,780-uuf, 500-Volts, 3%.	1	Z1	ZA/CAN 0075	PC 66133C	C12A			X	X
15	● CAPACITORS, Mica, 3,100-uuf, 300-Volts, 5%.	1	Z1	ZA/CAN 0067	PC 66267C	C8A			X	X
16	● CAPACITORS, Oil-Paper, 0.1-uuf, 500-Volts, 20%, No. Cl.....	6	Z1	ZA/CAN 0097	PC 68182C	[C4E, C4D [C4F, C4H C4I, C3BA		EX	X	X
17	● CLAMPS, Capacitor, Double, No. Cl.....	1	Z1	ZA/CAN 0539	PC 90249C-200			X	X	X
18	CLEATS, Capacitor, Double, No. Cl.....	2	Z1	ZA/CAN 0509	PC 45752C				X	R
19	● INDUCTANCES, I.O, No. C2.....	1	Z1	ZA/CAN 0541	PC 78467C	L25A, L25B			R	R
20	● INDUCTANCES, I.O, No. Cl.....	1	Z1	ZA/CAN 0542	PC 78466C	L24A, L24B			R	R
21	PLATES, Metal, Screening, 3.1/2-in. x 2.3/32-in.....	1	Z1	ZA/CAN 0543	PC 76346C					R
22	● RESISTORS, Metallized, 1/4-Watt, 820-Ohms, 10%.....	1	Z1	ZA/RC10AE821K	PC 70714C	R39B		X	X	X
23	● RESISTORS, Metallized, 1/4-Watt, 1,000-Ohms, 10%.....	1	Z1	ZA/RC10AE102K	PC 72988C	R9A			X	X
24	● RESISTORS, Metallized, 1/4-Watt, 2,200-Ohms, 10%.....	1	Z1	ZA/RC10AE222K	PC 70726C	R5B		X	X	X
25	● RESISTORS, Metallized, 1/4-Watt, 10,000-Ohms, 10%.....	1	Z1	ZA/RC10AE103K	PC 72648C	R42C			X	X
26	● RESISTORS, Metallized, 1/4-Watt, 47,000-Ohms, 10%.....	1	Z1	ZA/RC10AE473K	PC 70729C	R6B			X	X
27	● RESISTORS, Metallized, 1/4-Watt, 100,000-Ohms, 20%.....	1	Z1	ZA/RC10AE104K	PC 70743C	R7L			X	X
28	● RESISTORS, Metallized, 1/2-Watt, 270-Ohms, 10%.....	1	Z1	ZA/RC21AE271K	PC 70730C	R3A			X	X
29	● RESISTORS, Metallized, 1/2-Watt, 100,000-Ohms, 20%.....	1	Z1	ZA/RC21AE104M	PC 70743C-1	R7.1J		X	X	X
30	● RESISTORS, Metallized, 1-Watt, 22,000-Ohms, 5%.....	1	Z1	ZA/RC31AE223J	K 5976-65A	R4A		EX	X	X
31	● RESISTORS, Metallized, 1-Watt, 47,000-Ohms, 10%.....	1	Z1	ZA/RC31AE473K	PC 70742C-2	R34B		X	X	X
32	● RESISTORS, Metallized, 2-Watt, 22,000-Ohms, 10%.....	1	Z1	ZA/RC41AE223K	PC 72385C-3	R45A		EX	X	X
33	● RESISTORS, Wirewound, 1/2-Watt, 220-Ohms, 10%.....	1	Z1	ZA/CAN 0278	PC 70732C	R2F		X	X	X
34	STRIPS, Metal, Earthing, 2.1/2-in. x 9/32-in.....	2	Z1	ZA/CAN 0520	PC 92049C-191					R
35	● STRIPS, Tag, 2-Way, No. 4.....	1	Z1	ZA 14529	PC 90202C			X	X	R
36	TAGS, Shakeproof No. 2102-6.....	1	Z1	ZA/CAN 0322	R 15057-6					X
MOUNTING HARDWARE										
37	● NUTS, BA, Brass, Hex, No. 6.....		Z2	ZB/CAN 3207	R 11733-6			X	X	R
38	● SCREWS, BA, Steel, RH, No. 4 x 5/16-in.....		Z2	ZB/CAN 2938	R 11701-5			X	X	R
39	● SCREWS, BA, Steel, RH, No. 6 x 5/16-in.....		Z2	ZB/CAN 2951	R 11702-5			X	X	R
40	● SCREWS, BA, Steel, RH, No. 6 x 3/8-in.....		Z2	ZB/CAN 2952	R 11702-6			X	X	R
41	● SCREWS, BA, Steel, RH, No. 6 x 1/2-in.....		Z2	ZB/CAN 2954	R 11702-8			X	X	R
42	● WASHERS, Shakeproof No. 1204.....		Z2	ZB/CAN 0344	[RCA 59049-18 R 15019-4			X	X	X
<p>★ These resistors are found on the terminals of some I.F. Transformers only.</p> <p>■ Some sets used the alternative shock-absorbing plate shown below:</p>										
	PLATES, Fibre, Mounting, 1 1/16-in. x 1/2-in.		Z1	ZA/CAN 0478	PC 92049 C-203					

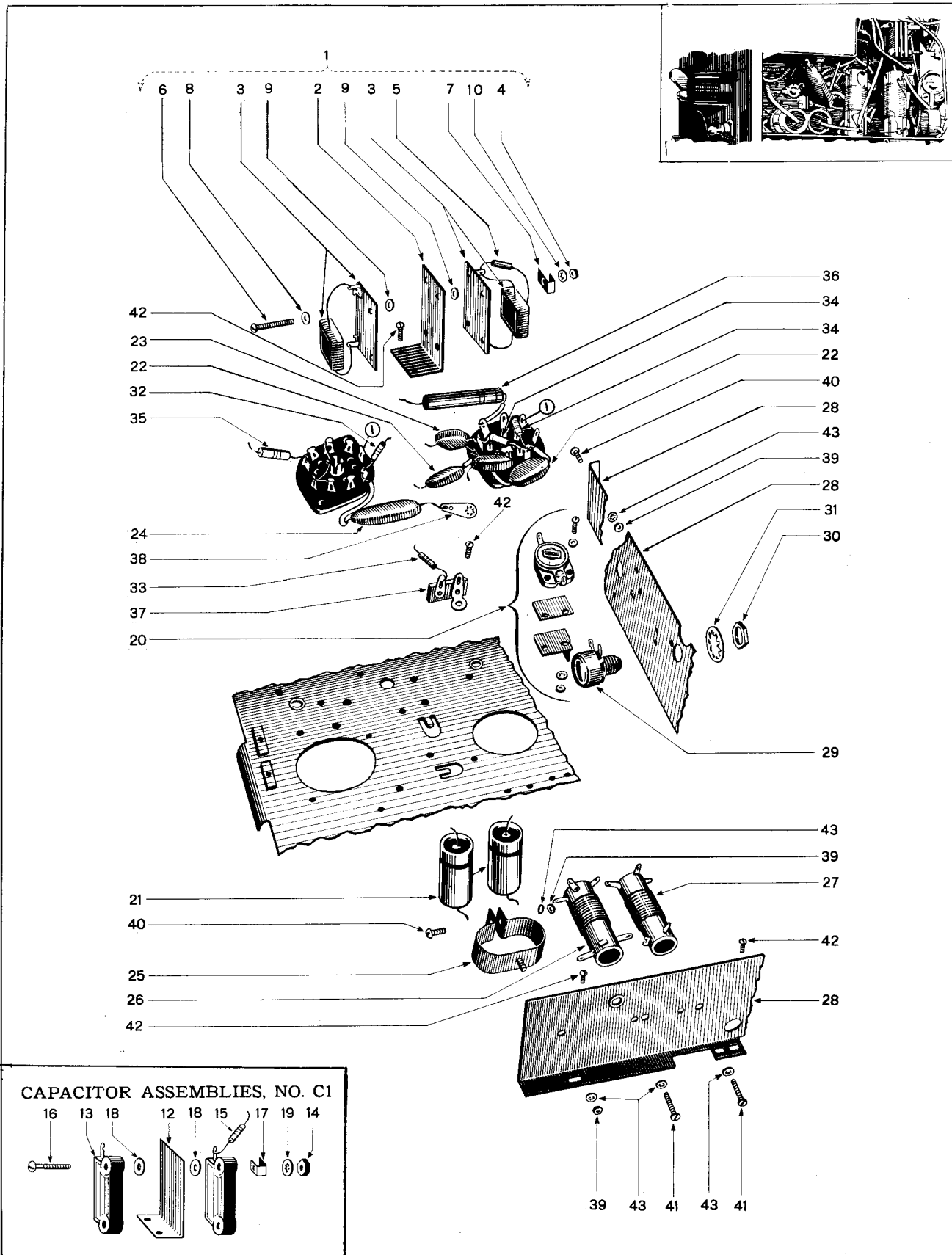


UNDERCHASSIS ILLUSTRATION, NO. 4

**ELECTRICAL & MECHANICAL
ENGINEERING REGULATIONS**

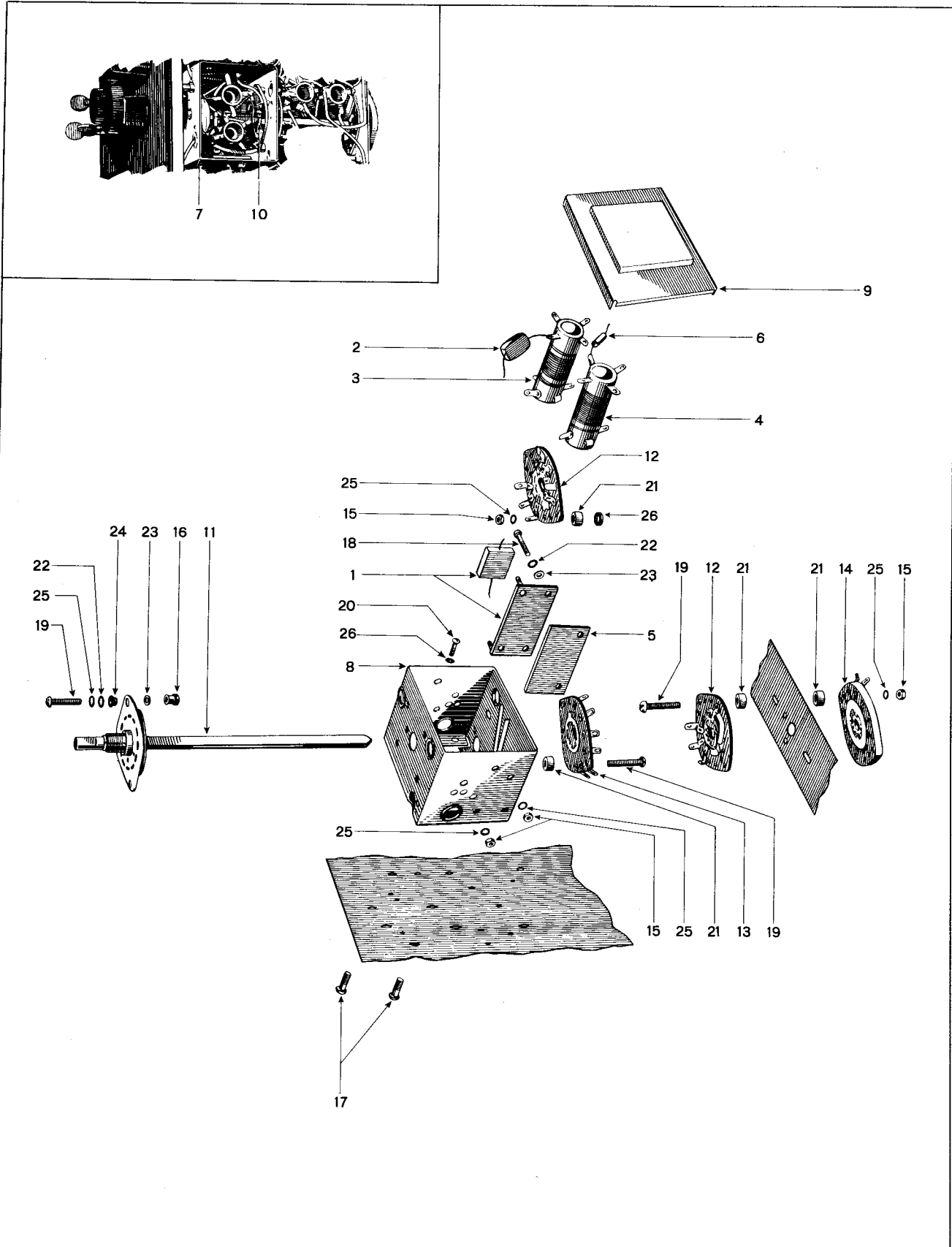
Det. No.	DESIGNATION	No. per Illus.	V. A. O. S.		Manufacturers Number	Cir. Ref.	Repair Schedule			
			Sect.	Number			Unit	Echelon		
								1st	2nd	4th
UNDERCHASSIS ILLUSTRATION NO. 4										
1	● CAPACITOR ASSEMBLIES, 4-30-uuf.....	1	Z1	ZA/CAN 1663	PC 80177 C-191				R	R
2	BRACKETS, Capacitor Mounting, No. C2.....	1	Z1	ZA/CAN 5312	PC 80177 C-2					R
3	● CAPACITORS, Ceramic, Semi-Fixed, 4-30-uuf, 500-Volt.....	1	Z1	ZA/CAN 0163	R 15196-1	C10D			R	R
4	NUTS, ANC, Brass, Hex, 2-56.....	2	Z2	ZB/CAN 3223	[RCA 57435-51 R 15016-2					R
5	PLATES, Phenolic, 7/8-in. x 41/64-in. x .020-in. thick.....	1	Z1	ZA/CAN 5243	PC 6106 C					R
6	● SCREWS, ANC, Brass, Fil H, 2-56 x 3/8-in....	2	Z2	ZB/CAN 3476	R 15051-6		X	X		R
7	WASHERS, Shakeproof No. 1202.....	4	Z2	ZB/CAN 0500	[RCA 59049-17 R 15019-2					R
8	● CAPACITOR ASSEMBLIES, Semi-Fixed, 4-30-uuf.	1	Z1	ZA/CAN 1761	PC 80177 C				R	R
9	BRACKETS, Capacitor Mounting, No. C1.....	1	Z1	ZA/CAN 0319	PC 80177 C-1					R
10	● CAPACITORS, Ceramic, Semi-Fixed, 4-30-uuf, 500-Volt.....	1	Z1	ZA/CAN 0163	R 15196-1	C10E			R	R
11	NUTS, ANC, Brass, Hex, 2-56.....	2	Z2	ZB/CAN 3223	[RCA 57435-51 R 15016-2					R
12	PLATES, Phenolic, 7/8-in. x 41/64-in. x .020-in. thick.....	1	Z1	ZA/CAN 5243	PC 6106 C					R
13	● SCREWS, ANC, Brass, Fil H, 2-56 x 3/8-in....	2	Z2	ZB/CAN 3476	R 15051-6		X	X		R
14	WASHERS, Shakeproof No. 1202.....	2	Z2	ZB/CAN 0500	[RCA 59049-17 R 15019-2					R
15	CAPACITORS, Mica, 10-uuf, 500-Volt, 20%....	1	Z1	ZA/CAN 0065	PC 80174C-191	C10.1A			BR	R
16	● CAPACITORS, Mica, 2000-uuf, 500-Volt, 20%, No. C2.....	1	Z1	ZA/CM 30A202M	PC 68152 C	C20A			X	X
17	● CAPACITORS, Oil-Paper, 0.1-uuf, 500-Volt, 20%, No. C1.....	6	Z1	ZA/CAN 0097	PC 68182 C	C4A-B-C C4Q-T-U	X	X	X	X
18	● CLAMPS, Capacitor, Double, No. C1.....	2	Z1	ZA/CAN 0539	PC 92049 C-200		X	X	X	X
19	● CLEATS, Condenser, No. 3.....	2	Z1	ZA 11831	PC 42968C-Det.2		X	X	X	X
20	● INDUCTANCES, RF, No. C2.....	1	Z1	ZA/CAN 0473	PC 78469 C	L23A-B				R
21	● INDUCTANCES, RF, No. C3.....	1	Z1	ZA/CAN 0463	PC 78468 C	L22A-B				R
22	● INDUCTANCE UNITS, BFO, No. C1.....	1	Z1	ZA/CAN 0547	RCA 104769-501					R
23	● CANS, Screening, Coil, No. C2.....	1	Z1	ZA/CAN 0549	RCA 111583-501					R
24	● CAPACITORS, Ceramic, Tubular, 91-uuf, 500-Volt, 5%.....	1	Z1	ZA/CAN 0552	[RCA 72052-132 PC 66061 C					R
25	● CAPACITORS, Mica, 30-uuf, 500-Volt, 5%, No. C2.....	1	Z1	ZA/CAN 0551	RCA 80388-620				X	X
26	● CIRCLIPS, No. C1.....	1	Z1	ZA/CAN 0550	RCA 75969-1					R
27	● CORES, Iron Dust, IF Transformer, No. C1....	1	Z1	ZA/CAN 0553	RCA 79963-512					R
28	● INDUCTANCES, BFO, No. C2.....	1	Z1	ZA/CAN 0554	RCA 100680-511	L5A-B			R	R
29	● PILLARS, Metal, Mounting, Hex, 1/2-in. long	2	Z1	ZA/CAN 0548	RCA 111585-1					R
30	● RESISTORS, Wirewound, 1/2-Watt, 1/2-Ohm, 5%	1	Z1	ZA/CAN 0291	[RCA 111533-1 PC 89038 C	R 16A			X	X
31	● TAGS, Shakeproof No. 2103-6.....	1	Z1	ZA/CAN 0078	RCA 113889-2		X	R		R
32	● WASHERS, Shakeproof No. 1206.....	1	Z2	ZB/CAN 0345	[RCA 59049-19 R 15019-6					R
33	● RESISTORS, Metallized, 1/4-Watt, 2200-Ohms, 10%.....	1	Z1	ZA/RC10AE222K	PC 70726 C	R 5 A	X	X	X	
34	● RESISTORS, Metallized, 1/4-Watt, 47,000- Ohms, 10%.....	1	Z1	ZA/RC10AE473K	PC 70729 C	R 6 D			X	X
35	● RESISTORS, Metallized, 1/2-Watt, 47,000-Ohms, 10%.....	2	Z1	ZA/RC21AE473K	PC 70721 C	R45B			X	X
36	● RESISTORS, Metallized, 1/2-Watt, 270,000-Ohms, 10%.....	1	Z1	ZA/RC21AE274K	PC 70727 C-1	R18A			X	X
37	● RESISTORS, Metallized, 1-Watt, 39,000-Ohms, 10%.....	1	Z1	ZA/RC31AE393K	PC 70745 C-2	R44A	X	X	X	
38	● RESISTORS, Metallized, 1-Watt, 47,000-Ohms, 10%.....	1	Z1	ZA/RC 31AE473K	PC 70742 C-2	R34C			X	X
39	● RESISTORS, Metallized, 2-Watt, 22,000-Ohms, 10%.....	1	Z1	ZA/RC41AE223K	PC 72385 C-3	R4D	EX	X	X	
40	● RESISTORS, Wirewound, 1/2-Watt, 220-Ohms, 10%.....	1	Z1	ZA/CAN 0278	PC 70732 C	R2A-B			X	X
41	● TAGS, Shakeproof No. 2103-6.....	1	Z1	ZA/CAN 0078	RCA 113889-2					R
42	● TAGS, Shakeproof No. 2106-6.....	1	Z1	ZA/CAN 0332	R 15011-6					R
MOUNTING HARDWARE										
43	● NUTS, BA, Brass, Hex, No. 6.....	7	Z2	ZB/CAN 3207	[PP 57309 R 11733-6		X	X		R
44	● SCREWS, BA, Steel, RH, No. 4 x 3/16-in....	2	Z2	ZB/CAN 0545	R 11701-3				X	R
45	● SCREWS, BA, Steel, RH, No. 6 x 5/16-in....	4	Z2	ZB/CAN 2951	R 11702-5		X	X	X	R
46	● SCREWS, BA, Steel, RH, No. 6 x 3/8-in....	3	Z2	ZB/CAN 2952	R 11702-6		X	X	X	R
47	● SCREWS, BA, Steel, RH, No. 6 x 1/2-in....	2	Z2	ZB/CAN 2954	R 11702-8		X	X	X	R
48	● WASHERS, Shakeproof No. 1204.....	8	Z2	ZB/CAN 0344	[RCA 59049-18 R 15019-4		X	X		X
★ Alternative Inductance Unit is shown below:										
	● INDUCTANCE UNITS, BFO, No. C3.....		Z1	ZA/CAN 1841	PC 78436 C				R	R

Det. No.	DESIGNATION	No. per Illus.	V. A. O. S.		Manufacturers Number	Cir. Ref.	Repair Schedule					
			Sect.	Number			Unit	Echelon				
								1st	2nd	4th		
	▼ EARLIER SETS HAD RESISTORS AS SHOWN BELOW											
	● RESISTORS, Metallized, 1-Watt, 22,000-Ohms, 5%.....		Z1	ZA/RC31AE223J	K 5976-65A	R 4 D	X	X	X			
	● RESISTORS, Metallized, 2-Watt, 22,000-Ohms, 10%.....		Z1	ZA/RC41AE223K	PG 72385 G-3	R45B	X	X	X			
	■ Some sets used the alternative shock-absorbing plate shown below:											
	PLATES, Fibre, Mounting, 11/16-in. x 1/2-in.....		Z1	ZA/GAN 0478	PG 92049 G-203							
	● These items only are carried in Ordnance as Spares. Full designation and V.A.O.S. number MUST be quoted on indents.											



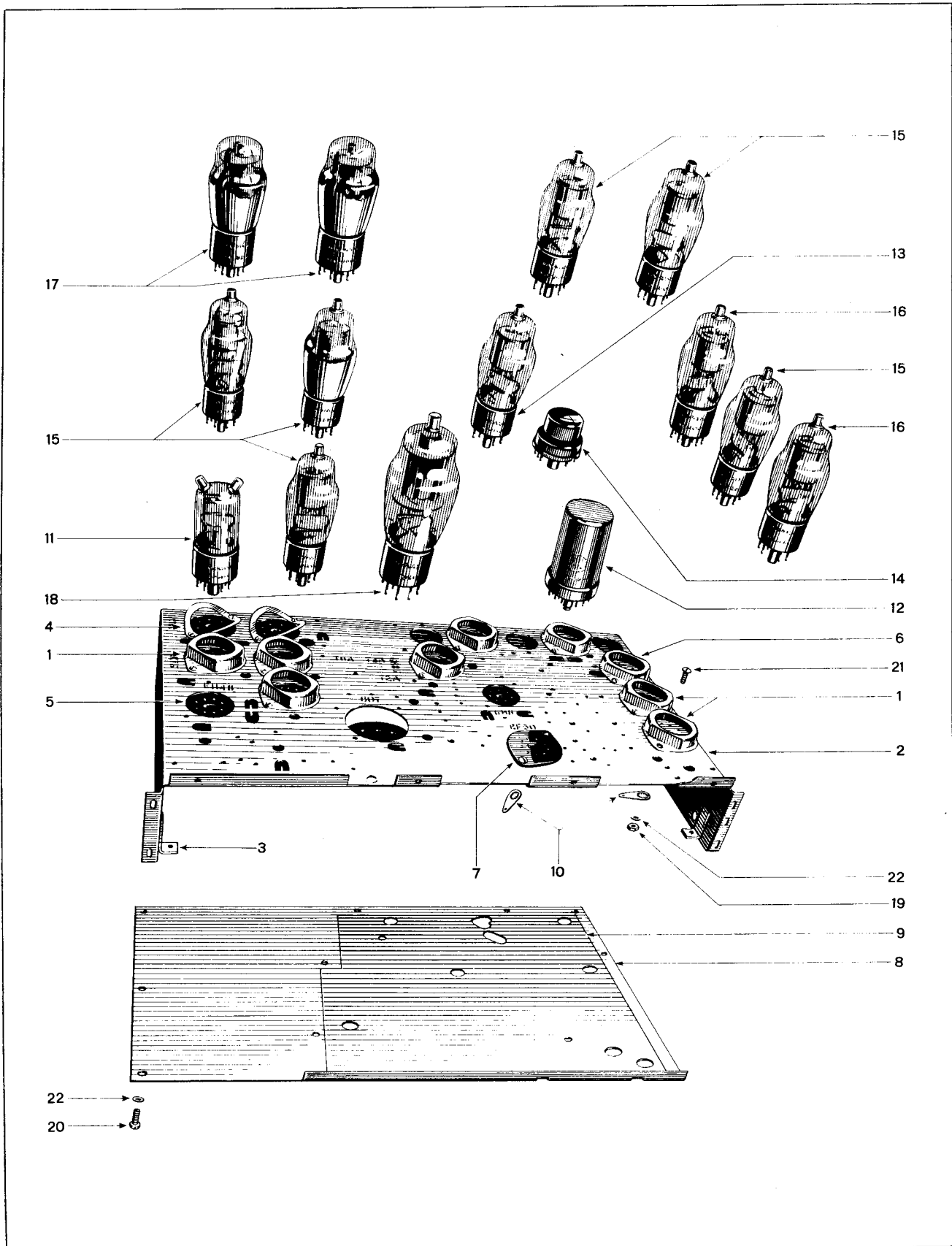
UNDERCHASSIS ILLUSTRATION NO. 5

Det. No.	DESIGNATION	No. per Illus.	V. A. O. S.		Manufacturers Number	Cir. Ref.	Repair Schedule			
			Sect.	Number			Unit	Echelon		
								1st	2nd	4th
UNDERCHASSIS ILLUSTRATION NO. 5										
1	CAPACITOR ASSEMBLIES, No. C2.....	1	Z1	ZA/CAN 0562						R
2	BRACKETS, Metal, Capacitor Mounting, 3/4-in. x 1.15/16-in.....	1	Z1	ZA/CAN 0556	PC 45856 C					R
3	● CAPACITOR ASSEMBLIES, Mica, 10,000-uμF, 500-V, 10%.....	2	Z1	ZA/CAN 1689	PC 66110 C(Sh.2)	[C5A C5B			X	X
4	● NUTS, BA, Brass, Hex, No. 6.....	2	Z2	ZB/CAN 3207	R 11733-6			X	X	R
5	● RESISTORS, Metallized, 1/4-Watt, 10,000-Ohms, 10%.....	1	Z1	ZA/RC 10AE103K	[PC 72648 C K 5988-73 B R 11702-14 PC 40562 C	R42A				X
6	● SCREWS, BA, Steel, RH, No. 6 x 7/8-in.....	2	Z2	ZB/CAN 2960				X	X	R
7	● STRIPS, Bonding, 1.5/32-in. x 11/32-in.....	2	Z1	ZA/CAN 0557				X	R	R
8	● WASHERS, Brass, 5/16-in. OD, 5/32-in. ID, .036-in. thick.....	2	Z2	ZB/CAN 0335	R 11734-4					R
9	● WASHERS, Phenolic, 1/4-in. OD, 7/64-in. ID, .062-in. thick.....	4	Z1	ZA/CAN 0510	PC 40933 C					R
10	● WASHERS, Shakeproof No. 1204.....	2	Z2	ZB/CAN 0344	[RCA 59049-18 R 15019-4			X	X	X
OR										
11	CAPACITOR ASSEMBLIES, No. C1.....	1	Z1	ZA/CAN 0555						R
12	BRACKETS, Metal, Capacitor Mounting, 3/4-in. x 1.15/16-in.....	1	Z1	ZA/CAN 0556	PC 45856 C					R
13	● CAPACITORS, Mica, 10,000-uμF, 500-V, 10%, No. C2.....	2	Z1	ZA/CAN 0563	PC 66110 C(Sh.1)	[C5A C5B				X
14	● NUTS, BA, Brass, Hex, No. 6.....	2	Z2	ZB/CAN 3207	R 11733-6			X	X	R
15	● RESISTORS, Metallized, 1/4-Watt, 10,000-Ohms, 10%.....	1	Z1	ZA/RC 10AE103K	[PC 72648 C K 5988-73 B R 11702-14 PC 40562 C	R42A			X	X
16	● SCREWS, BA, Steel, RH, No. 6 x 7/8-in.....	2	Z2	ZB/CAN 2960				X	X	R
17	● STRIPS, Bonding, 1.5/32-in. x 11/32-in.....	2	Z1	ZA/CAN 0557				X	R	R
18	● WASHERS, Phenolic, 1/4-in. OD, 7/64-in. ID, .062-in. thick.....	4	Z1	ZA/CAN 0510	PC 40933 C					R
19	● WASHERS, Shakeproof No. 1204.....	2	Z2	ZB/CAN 0344	[RCA 59049-18 R 15019-4			X	X	X
20	● CAPACITOR ASSEMBLIES, Semi-fixed, 4-30-uμF, No. C1.....	1	Z1	ZA/CAN 1761	PC 80177 C	C10F				R
21	● CAPACITORS, Oil-Paper, 0.1-uμF, 500-V, 20% No. C1.....	2	Z1	ZA/CAN 0097	PC 68182 C	[C4R C4S		X	X	X
22	● CAPACITORS, Mica, 100-uμF, 500-V, 20%.....	2	Z1	ZA/CM 20A101M	[PC 66718 C PC 66096 C PC 66095 C	[C2D C2E C15B C15D			X	X
23	● CAPACITORS, Mica, 500-uμF, 500-V, 20%.....	2	Z1	ZA/CAN 0014					X	X
24	● CAPACITORS, Mica, 2,000-uμF, 500-V, 20%, No. C1.....	1	Z1	ZA/CAN 0031	PC 66045 C	C20B			X	X
25	● CLAMPS, Capacitor, Double, No. C1.....	1	Z1	ZA/CAN 0539	PC 92049 C-200		X	R	R	R
26	● INDUCTANCES, RF, No. C4.....	1	Z1	ZA/CAN 0559	PC 78470 C	L4A		R	R	R
27	● INDUCTANCES, RF, No. C5.....	1	Z1	ZA/CAN 0560	PC 78471 C	L6A		R	R	R
28	● PLATES, Screening, No. 4.....	1	Z1	ZA 14518	PC 45857 C					R
29	● RESISTANCES, Variable, 100,000-Ohms, No. C2	1	Z1	ZA/CAN 0318	PC 81265 C	R43A			R	R
30	● NUTS, AN, Brass, Hex, 3/8-32, 1/2-in. af, 0.1-in. thick.....	1	Z2	ZB/CAN 0514	RCA 59158-29					R
31	● WASHERS, Shakeproof No. 1218.....	1	Z2	ZB/CAN 0348	RCA 59049-24					X
32	● RESISTORS, Metallized, 1/4-Watt, 3,900-Ohms 10%.....	1	Z1	ZA/RC 10AE392K	[PC 70734 C K 5988-83 B	RL7A			X	X
33	● RESISTORS, Metallized, 1/4-Watt, 2,200-Ohms 10%.....	1	Z1	ZA/RC 10AE222K	PC 70726 C	R5D			X	X
34	● RESISTORS, Metallized, 1/4-Watt, 470,000-Ohms, 20%.....	2	Z1	ZA/RC 10AE474M	[PC 70722 C K 5988-33 C	[R1C R1D			X	X
35	● RESISTORS, Wirewound, 1/2-Watt, 100-Ohms, 10%.....	1	Z1	ZA/CAN 0320	[PC 72657 C K 5975-20 B PC 90461 C	R20B		X	X	R
36	● RESISTORS, Wirewound, 2-Watt, 30-Ohms, 5%..	1	Z1	ZA/CAN 0302	[K 5985-33 A PC 90202 C R 15057-4	R30A			X	R
37	● STRIPS, Tag, 2-Way, No. 4.....	1	Z1	ZA 14529					R	R
38	● TAGS, Shakeproof No. 2102-4.....	1	Z1	ZA/CAN 0321						X
MOUNTING HARDWARE										
39	● NUTS, BA, Brass, Hex, No. 6.....		Z2	ZB/CAN 3207	R 11733-6			X	X	R
40	● SCREWS, BA, Steel, RH, No. 6 x 3/8-in.....		Z2	ZB/CAN 2952	R 11702-6			X	X	R
41	● SCREWS, BA, Steel, RH, No. 6 x 7/16-in.....		Z2	ZB/CAN 2953	R 11702-7			X	X	R
42	● SCREWS, Thread-Cutting, RH, 6-32 x 1-4-in.....		Z2	ZB/CAN 3385	RCA 109892-9					R
43	● WASHERS, Shakeproof No. 1204.....		Z2	ZB/CAN 0344	[RCA 59049-18 R 15019-4			X	X	X
<p>★ This item is the preferred type as against Item 3.</p> <p>● These items only are carried in Ordnance as Spares Full designation and V A O.S. number MUST be quoted on indents.</p>										



LOCAL OSCILLATOR AND FREQUENCY CHANGE SWITCH ASSEMBLY

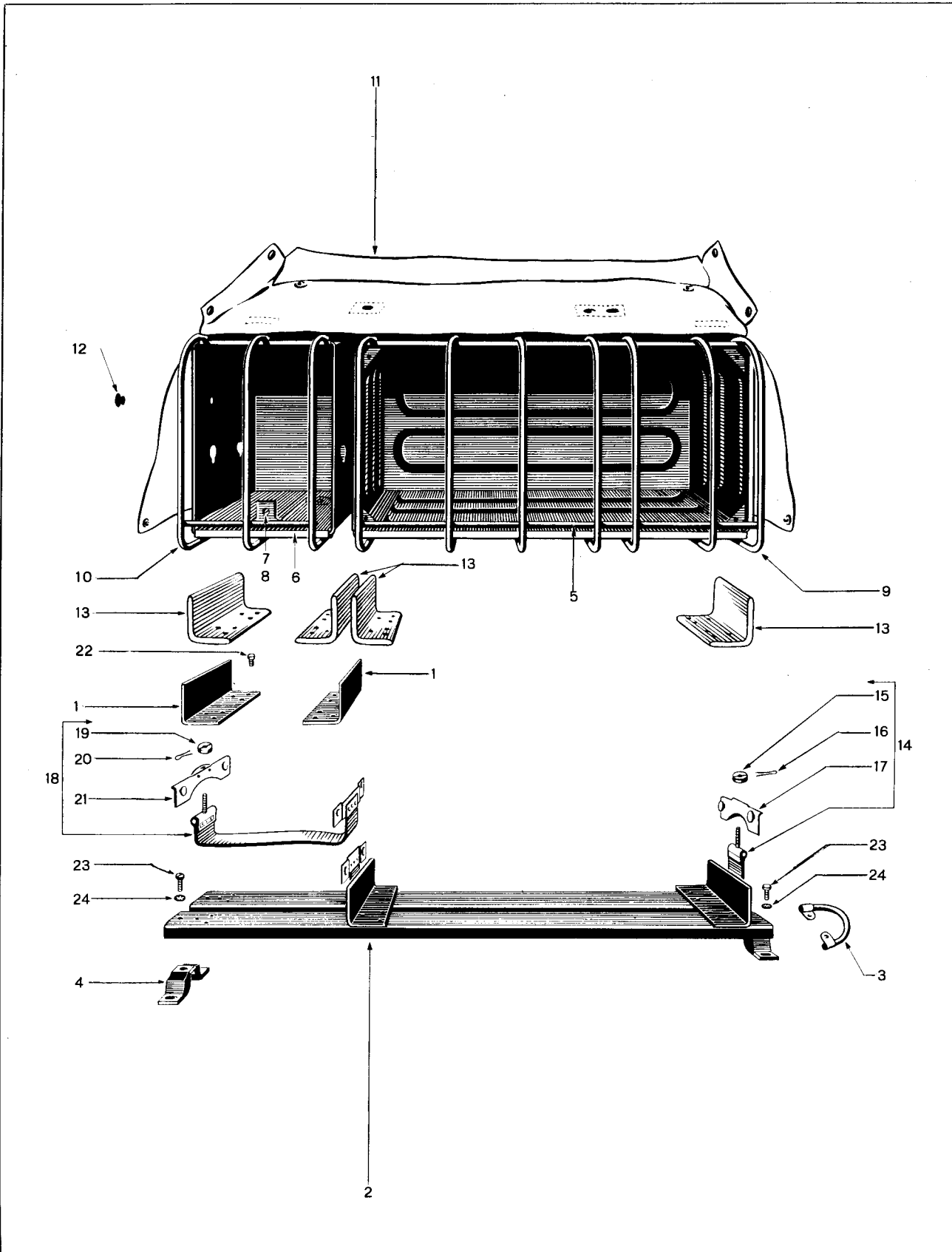
Det. No.	DESIGNATION	No. per Illus.	V. A. O. S.		Manufacturers Number	Cir. Ref.	Repair Schedule			
			Sect.	Number			Unit	Echelon		
								1st	2nd	4th
LOCAL OSCILLATOR AND FREQUENCY CHANGE SWITCH ASSEMBLY										
1	● CAPACITOR ASSEMBLIES, Mica, 10,000-uuF, 500-Volts, 10%.....	1	Z1	ZA/CAN 1689	PC 66110 C(Sht 2)	C5C			EX	X
2	● CAPACITORS, Mica, 100-uuF, 500-Volts, 20%..	1	Z1	ZA/CM 20A101M	[PC 66096 C PC 66718 C	C2C			X	X
3	● INDUCTANCES, Oscillator, No. C1.....	1	Z1	ZA/CAN 0573	PC 78472 C	L7A			R	R
4	● INDUCTANCES, Oscillator, No. C2.....	1	Z1	ZA/CAN 0574	PC 78473 C	L21A			R	R
5	PLATES, Phenolic, Insulating, 1.5/8-in. x 3/4-in. x .015-in.....	1	Z1	ZA/CAN 1842						R
6	● RESISTORS, Metallized, 1/4-Watt, 470,000-Ohms, 20%.....	1	Z1	ZA/RC 10AE474M	[K 70722 C K 5988-33 C		R1E		X	X
7	SWITCH ASSEMBLIES, Frequency Change, W/S No. 19.....	1	Z1	ZA/CAN 0581						ER
8	● CANS, Screening, Coil, No. C1.....	1	Z1	ZA/CAN 0570	PC 76382 C				X	R
9	● COVERS, Screening Can No. 2.....	1	Z1	ZA 14542	PC 45727 C-2			X	X	R
10	● SWITCHES, Frequency Change, No. C1.....	1	Z1	ZA/CAN 0582	PC 83211 C		S11A			ER
11	CLICK-PLATES, 2-Position, No. 3.....	1	Z1	ZA 14487	PC 83211 C/A					R
12	WAFERS, Switch, 3-Pole, No. 2.....	2	Z1	ZA 14538	PC 83211 C/B					R
13	WAFERS, Switch, 3-Pole, No. 3.....	1	Z1	ZA 14539	PC 83211 C/C					R
14	WAFERS, Switch, 3-Pole, No. C1.....	1	Z1	ZA/CAN 0579	PC 83211 C-1					R
MOUNTING HARDWARE										
15	● NUTS, BA, Brass, Hex, No. 6.....		Z2	ZB/CAN 3207	R 11733-6			X	X	R
16	PILLARS, Metal, Mounting, 1/4-in. OD, 17/64-in. long.....		Z1	ZA/CAN 0576	PC 32125					R
17	● SCREWS, BA, Steel, RH, No. 6 x 7/16-in.....		Z2	ZB/CAN 2953	R 11702-7			X	X	R
18	● SCREWS, BA, Steel, RH, No. 6 x 5/8-in.....		Z2	ZB/CAN 2956	R 11702-10			X	X	R
19	● SCREWS, BA, Steel, RH, No. 6 x 3/4-in.....		Z2	ZB/CAN 2958	R 11702-12			X	X	R
20	SCREWS, Thread-cutting, RH, 6-32 x 1/4-in..		Z2	ZB/CAN 3385	RCA 109892-9					R
21	SPACERS, Brass, 1/4-in. OD, 1/8-in. ID, 9/64-in. long.....		Z1	ZA/CAN 0575	PC 30749 C					R
22	WASHERS, Brass, 9/32-in. OD, 1/8-in. ID, .032-in. thick.....		Z2	ZB/CAN 0511	RCA 102548-10					R
23	WASHERS, Phenolic, 1/4-in. OD, 7/64-in. ID, .062-in. thick.....		Z1	ZA/CAN 0510	PC 40933 C					R
24	WASHERS, Phenolic, Extruded, 5/16-in. OD, 7/64-in. ID, .062-in. thick.....		Z1	ZA/CAN 0580	PC 45861 C					R
25	● WASHERS, Shakeproof No. 1204.....		Z2	ZB/CAN 0344	[RCA 59049-18 R 15019-4			X	X	X
26	WASHERS, Steel, 5/16-in. OD, 5/32-in. ID, .032-in. thick.....		Z2	ZB/CAN 0352	RCA 102548-6					R
	★ The Following is a preferred type to be used in place of item 1									
	● CAPACITORS, Mica, 10,000-uuF, 500-Volts, 10%, No. C2.....	1	Z1	ZA/CAN 0563	PC 66110 C(Sht 1)				EX	X
● These items only are carried in Ordnance as Spares. Full designation and V.A.O.S. number MUST be quoted on indents.										



CHASSIS AND VALVE LAYOUT

Det. No.	DESIGNATION	No. per Illus.	V. A. O. S.		Manufacturers Number	Cir. Ref.	Repair Schedule			
			Sect.	Number			Unit	Echelon		
								1st	2nd	4th
CHASSIS AND VALVE LAYOUT										
1	● BASES, Cans Screening Valve, No. Cl.....	9	Z1	ZA/CAN 0515	PC 90644 C			X	X	R
2	● CHASSIS, Wireless Sets, No. Cl.....	1	Z1	ZA/CAN 0569	RCA 110075-501					R
3	● BRACKETS, Metal, 1-in. x 3/8-in.....	8	Z1	ZA/CAN 1670	PC 45905 C			X	X	R
4	● CLIPS, Valve, Retaining, No. Cl.....	2	Z1	ZA/CAN 0564	PC 92049 C-223			X	X	R
5	● HOLDERS, Valve, Octal, International, No. 3	11	Z1	ZA 2824	PC 90287 C				X	X
6	● HOLDERS, Valve, Octal, International, 1.1/2-in. Centres, No. Cl.....	2	Z1	ZA/CAN 0565	PC 90287 C-1					X
7	● HOLDERS, Valve, 9-Pin, No. 3.....	1	Z1	ZA 2810	PC 90340 C				X	X
8	● PLATES, Cover, No. Cl.....	1	Z1	ZA/CAN 0567	PC 45738 C-3			X	X	R
9	● PLATES, Fibre, Insulating, 10.5/32-in. x 8.1/8-in.....	1	Z1	ZA/CAN 0568	PC 46910 C					R
10	● TAGS, Shakeproof No. 2106-6.....	4	Z1	ZA/CAN 0332	R 15011-6					R
11	● VALVES, WT, Type E 1148.....	1	Z1	ZA 3055	PC 86187 C		EX	EX	X	X
12	● VALVES, WT, Type EP 50.....	1	Z1	ZA 20035	PC 86097 C		X	X	X	X
13	● VALVES, WT, Type 6B8G.....	1	Z1	ZA/JAN 6B8G	PC 86183 C		X	X	X	X
14	● VALVES, WT, Type 6H6.....	1	Z1	ZA/JAN 6H6	PC 86170 C		X	X	X	X
15	● VALVES, WT, Type 6K7G.....	6	Z1	ZA/JAN 6K7G	PC 86182 C		X	X	X	X
16	● VALVES, WT, Type 6K8G.....	2	Z1	ZA/JAN 6K8G	PC 86184 C		EX	EX	X	X
17	● VALVES, WT, Type 6V6G.....	2	Z1	ZA/JAN 6V6G	PC 86185 C		X	X	X	X
18	● VALVES, WT, Type 807.....	1	Z1	ZA/JAN 807	PC 86186 C		X	X	X	X
MOUNTING HARDWARE										
19	● NUTS, BA, Brass, Hex, No. 4.....		Z2	ZB/CAN 3205	R 11733-4				X	X
20	● SCREWS, BA, Steel, RH, No. 4 x 1/4-in.....		Z2	ZB/CAN 2937	R 11701-4				X	X
21	● SCREWS, BA, Steel, RH, No. 4 x 5/16-in.....		Z2	ZB/CAN 2938	R 11701-5				X	X
22	● WASHERS, Shakeproof No. 1206.....		Z2	ZB/CAN 0345	RCA 59049-19 R 15019-6				X	X

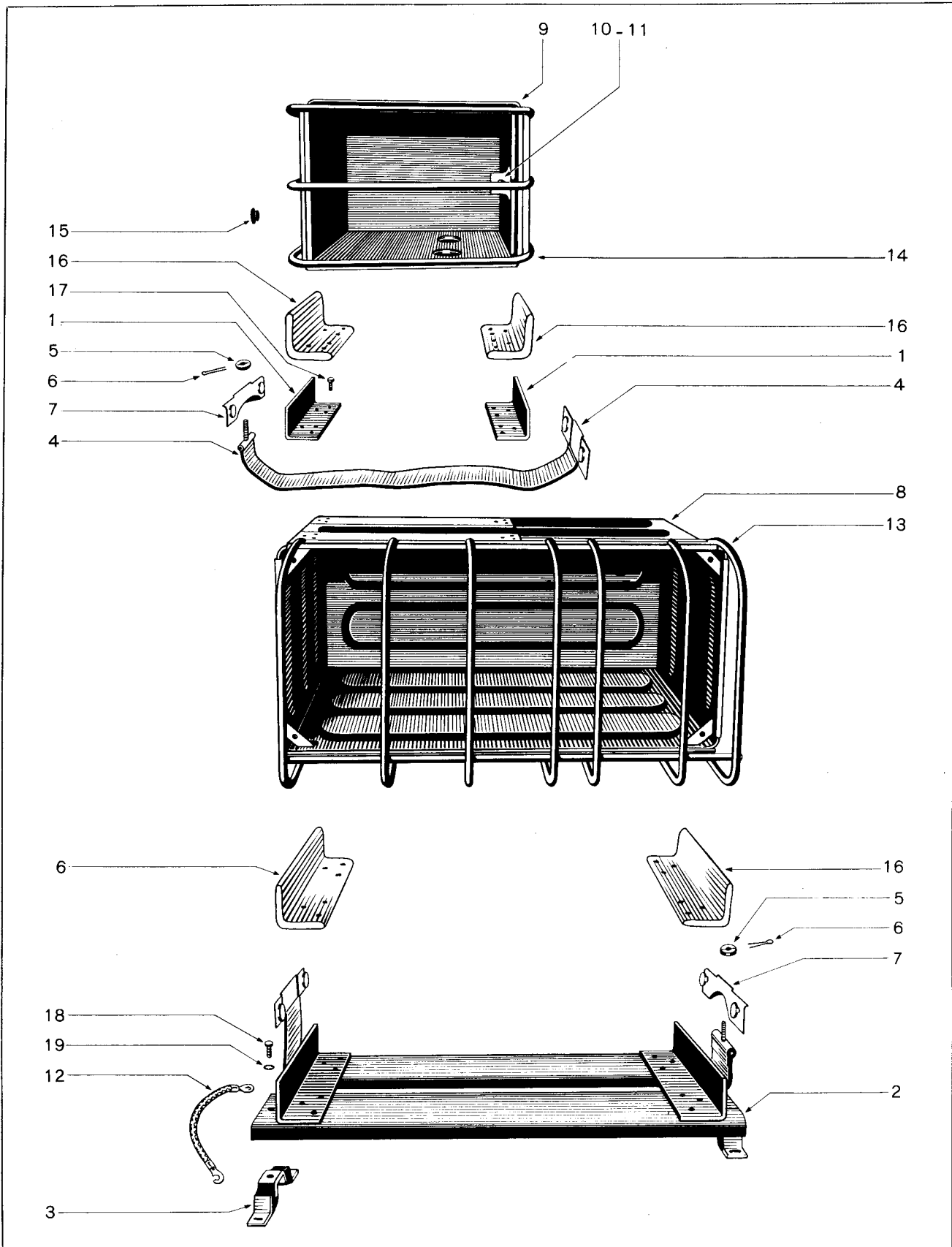
● These items only are carried in Ordnance as Spares. Full designation and V.A.O.S. number MUST be quoted on indents.



CARRIERS, SETS, NO. 21 AND CASE

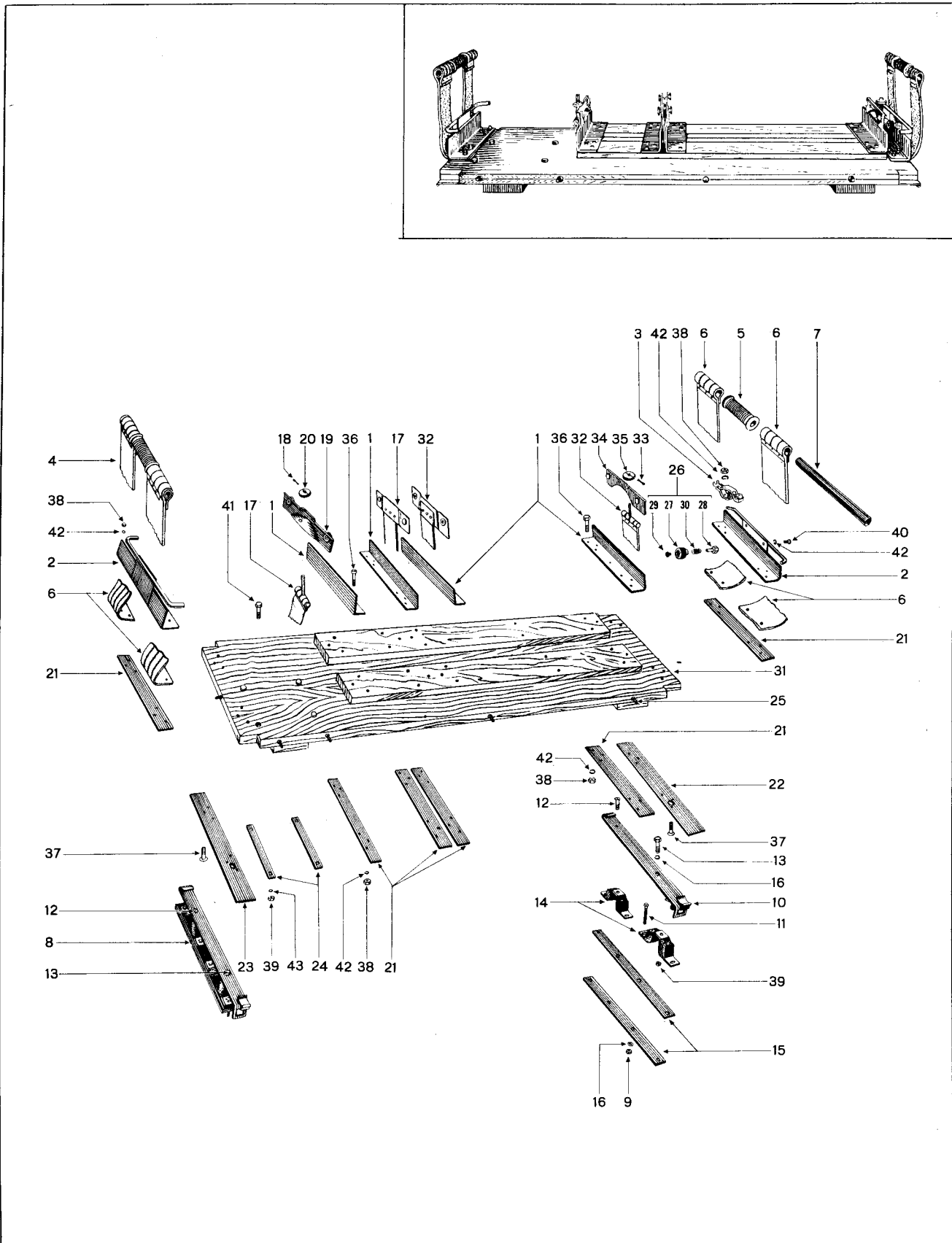
Det. No.	DESIGNATION	No. per Illus.	V. A. O. S.		Manufacturers Number	Cir. Ref.	Repair Schedule			
			Sect.	Number			Unit	Echelon		
								1st	2nd	4th
CARRIERS, SETS, NO. 21 AND CASE										
1	● CARRIERS, Sets, No. 21.....	1	Z1	ZA 3102	PC 82286 C		X	X	R	
2	BRACKETS, Angle, No. 9.....	2	Z1	ZA 10430	PC 45891 C				R	
2	BASES, Carrier, No. 1.....	1	Z1	ZA 14971	PC 76481 C				R	
3	● CONNECTIONS, Earth, No. 2.....	1	Z1	ZA 16050	PC 76459 C		X		R	
4	SHOCK ABSORBERS, Bridge, No. 2, Mk II.....	4	Z1	ZA 14030	PC 90682 C				R	
5	● CASES, Metal, No. 2.....	1	Z1	ZA 14479	PC 76334 C		X	X	R	
6	● CASES, Metal, No. Cl.....	1	Z1	ZA/CAN 0110	RCA 106505-50		X	X	R	
7	● NUTS, Hinged, Flap.....	1	Z1	ZA/CAN 0182	PC 76357 C		X	X	R	
8	● PINS, Nuts Hinged Flap.....	1	Z1	ZA/CAN 0183	PC 32126 C		X	X	R	
9	● COVERS, Protecting, No. 1.....	1	Z1	ZA 2950	PC 90795 C		X	X	R	
10	● COVERS, Protecting, No. 2.....	1	Z1	ZA 2951	PC 90781 C		X	X	R	
11	● COVERS, Waterproof, No. 1.....	1	Z1	ZA 2952	PC 90816 C		X	X	X	
12	GROMMETS, Rubber, Blind, No. Cl.....	8	Z1	ZA/CAN 0671	PC 76280 C-191		X	X	X	
13	● PADS, Shock, Mounting, No. Cl.....	4	Z1	ZA/CAN 0655	PC 90818 C		X	X	X	
14	● WIRELESS SETS, NO. 19:-									
14	● STRAPS, Clamping, No. 1.....	1	Z1	ZA 2987	PC 76454 C		X	X	R	
15	● NUTS, Special, No. 73.....	1	Z1	ZA 14974	PC 32234 C				R	
16	● PINS, Keep, Split, 1/16-in. x 1/2-in.....	1	Z2	ZB/CAN 0656					R	
17	● PLATES, Clamping, No. 11.....	1	Z1	ZA 14973	PC 46213 C				R	
18	● STRAPS, Clamping, No. 2, W/S, No. 19.....	1	Z1	ZA 2988	PC 76455 C		X	X	R	
19	● NUTS, Special, No. 73.....	1	Z1	ZA 14974	PC 32234 C				R	
20	● PINS, Keep, Split, 1/16-in. x 1/2-in.....	1	Z2	ZB/CAN 0656					R	
21	● PLATES, Clamping, No. 11.....	1	Z1	ZA 14973	PC 46213 C				R	
MOUNTING HARDWARE										
22	● SCREWS, BA, Steel, Ch H, No. 2 x 3/8-in.....		Z2	ZB/CAN 2855			X	X	R	
23	● SCREWS, BSF, Steel, Ch H, 1/4-26 x 5/8-in...		Z2	ZB/CAN 0658	PC 32019 C				R	
24	● WASHERS, Shakeproof No. 1214.....		Z2	ZB/CAN 0659	RCA 59049-23		X	X	X	

● These items only are carried in Ordnance as Spares. Full designation and V.A.O.S. number MUST be quoted on indents.



CARRIERS, SETS. NO. 22 AND CASE

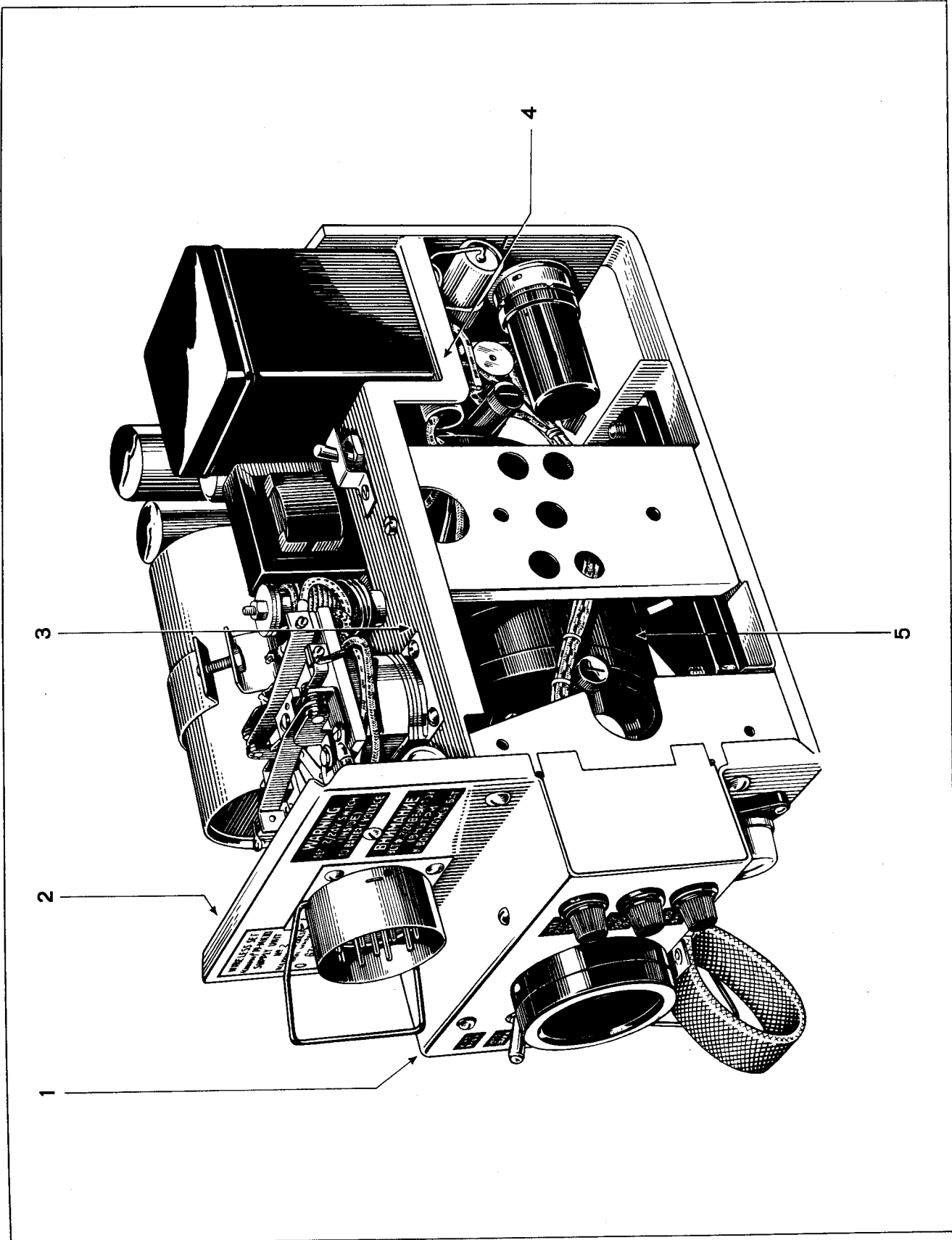
Det. No.	DESIGNATION	No. per Illus.	V. A. O. S.		Manufacturers Number	Cir. Ref.	Repair Schedule			
			Sect.	Number			Unit	Echelon		
								1st	2nd	4th
CARRIERS, SETS, NO. 22 AND CASE										
1	BRACKETS, Angle, No. 9.....	2	Z1	ZA 10430	PC 45891C					R
	CARRIERS, Sets, No. 22.....	1	Z1	ZA 3103	PC 75465C					R
2	BASES, Carrier, No. 2.....	1	Z1	ZA 14972	PC 76482C					R
3	SHOCK ABSORBERS, Bridge, No. 2, Mk II.....	4	Z1	ZA 14030	PC 90682C					R
4	● STRAPS, Clamping, No. 3.....	1	Z1	ZA 2949	PC 76485C		X	X		R
5	● NUTS, Special, No. 73.....	1	Z1	ZA 14974	PC 32234C					R
6	● PINS, Keep, Split, 1/16-in. x 1/2-in.....	1	Z2	ZB/CAN 0656						R
7	● PLATES, Clamping, No. 11.....	1	Z1	ZA 14973	PC 46213C					R
8	● CASES, Metal, No. 2.....	1	Z1	ZA 14479	PC 76334C		X	X		R
9	● CASES, Metal, No. Cl.....	1	Z1	ZA/CAN 0110	RCA 106505-501		X	X		R
10	● NUTS, Hinged, Flap.....	1	Z1	ZA/CAN 0182	PC 76357C		X	X		R
11	● PINS, Nuts Hinged Flap.....	1	Z1	ZA/CAN 0183	PC 32126C					R
12	● CONNECTIONS, Earth, No. 2.....	1	Z1	ZA 16050	PC 76459C		X	R		R
13	● COVERS, Protecting, No. 1.....	1	Z1	ZA 2950	PC 90795C		X	X		R
14	● COVERS, Protecting, No. 2.....	1	Z1	ZA 2951	PC 90781C		X	X		R
15	● GROMMETS, Rubber, Blind, No. Cl.....	8	Z1	ZA/CAN 0671	PC 76280C-191		X	X		R
16	● PADS, Shock, Mounting, No. Cl.....	4	Z1	ZA/CAN 0655	PC 90818C		X	X		R
MOUNTING HARDWARE										
17	SCREWS, BA, Steel, Ch H, No. 2 x 3/8-in....	Z2	ZB/CAN	2855						R
18	SCREWS, BSF, Steel, Ch H, 1/4-26 x 5/8-in...	Z2	ZB/CAN	0658	PC 32019C					R
19	WASHERS, Shakeproof No. 1214.....	Z2	ZB/CAN	0659	RCA 59049-23					X
<p>The following item is a later model for the above Carriers, Sets, No. 22 and consists of the same items with exception of Straps, Clamping, No. 3 which are omitted.</p>										
	● CARRIER SETS, No. 22, Less Fixing Straps....	1	Z1	ZA/CAN 1497	PC 82287C		X	X		R
<p>● These items only are carried in Ordnance as Spares. Full designation and V.A.O.S. number MUST be quoted on indents.</p>										



CARRIERS, SETS, NO. 23

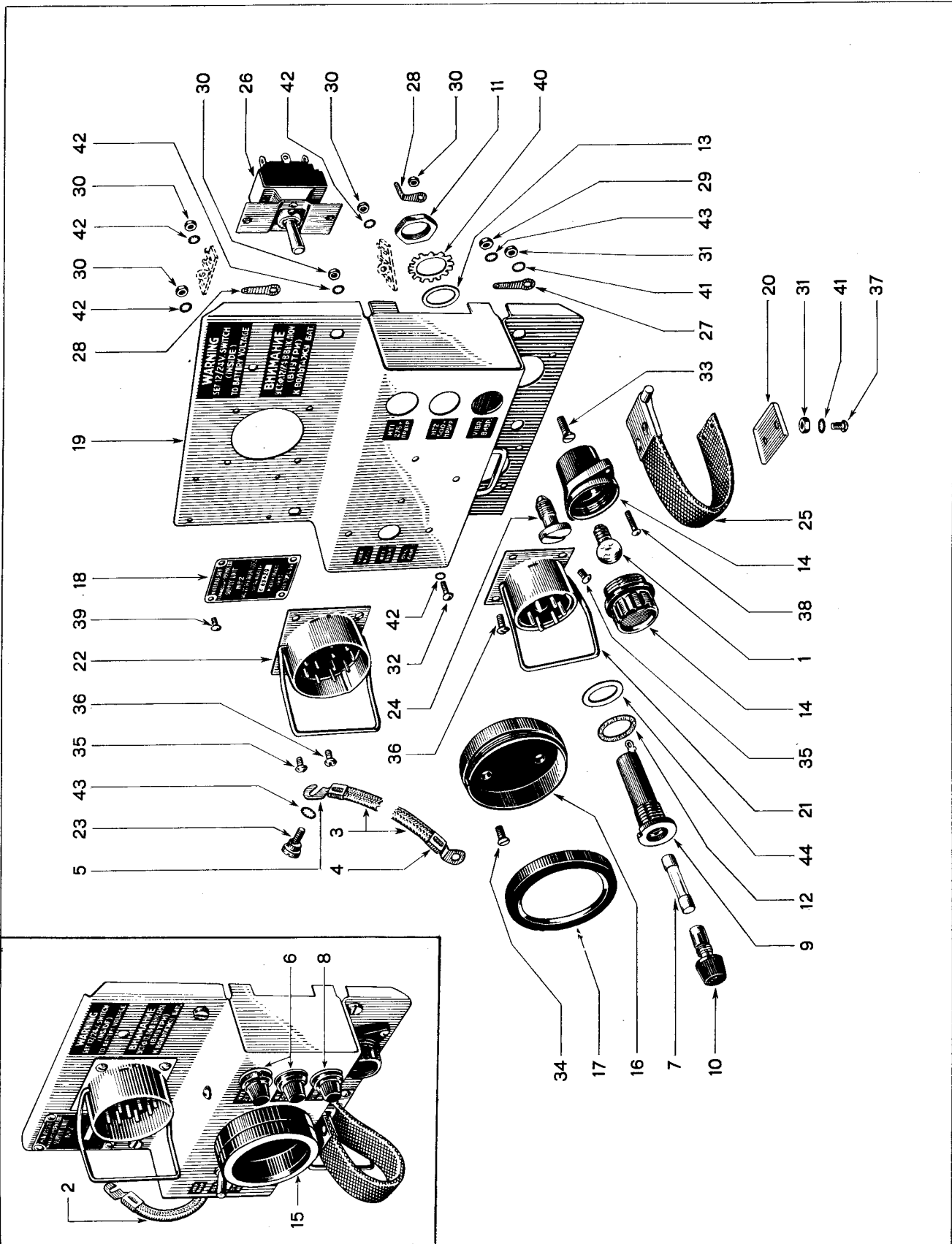
Det. No.	DESIGNATION	No. per Illus.	V. A. O. S.		Manufacturers Number	Cir. Ref.	Repair Schedule			
			Sect.	Number			Unit	Echelon		
								1st	2nd	4th
	• CARRIERS, SETS, NO. 23		Z1	ZA 10315	PC 82507		X	R	R	
1	BRACKETS, Angle, No. 9.....	4	Z1	ZA 10430	PC 45891 C					R
2	BRACKETS, Angle, No. 10.....	2	Z1	ZA 14995	PC 82512					R
3	CLIPS, Battery, 25-Amp., No. Cl.....	1	Z1	ZA/CAN 0679	PC 64523 C-191					R
4	HANDLES, Carrying, No. 11.....	2	Z1	ZA 14997						R
5	GRIPS, Handle, No. Cl.....	2	Z1	ZA/CAN 1089	PC 64518		X	R	R	R
6	STRAPS, Handle, No. Cl.....	4	Z1	ZA/CAN 1091	PC 47425 C		X	R	R	R
7	TUBES, Handle, No. Cl.....	2	Z1	ZA/CAN 1097	PC 32493		X	R	R	R
8	MOUNTINGS, Carriers, No. 1.....	2	Z1	ZA 10316	PC 82508 C		X	R	R	R
9	NUTS, ANC, Steel, Hex, 1/4-20.....	8	Z2	ZB/CAN 3238	R 15075-10		X	X		R
10	PLATES, Locking, Carriers, No. Cl.....	12	Z1	ZA/CAN 1100	PC 47471					R
11	SCREWS, ANC, Steel, Hex H, 1/4-20 x 1.3/4-in.	8	Z2	ZB/CAN 1104			X	X		R
12	SCREWS, BSF, Steel, Csk H, 1/4-26 x 3/4-in.	2	Z2	ZB/CAN 1101	PC 32181					R
13	SCREWS, BSF, Steel, Hex H, 1/4-26 x 3/4-in.	2	Z2	ZB/CAN 1387	PC 32015C-193					R
14	SHOCK ABSORBERS, Bridge, No. 2, Mk II.....	4	Z1	ZA 14030	PC 90682 C					R
15	STRIPS, Clamping, No. Cl.....	4	Z1	ZA/CAN 1103	PC 47429					R
16	WASHERS, Lock, Steel, 29/64-in. OD, 9/32-in. ID, .068-in. thick.....	12	Z2	ZB/CAN 1098	R 15088-1					X
17	STRAPS, Clamping, No. 2, W/S No. 19.....	1	Z1	ZA 2988	PC 76455 C		X	R		R
18	PINS, Keep, Split, 1/16-in. x 1/2-in.....	1	Z2	ZB/CAN 0656			X	R	R	R
19	PLATES, Clamping, No. 11.....	1	Z1	ZA 14973	PC 46213 C					R
20	WIRELESS SETS, No. 19:- NUTS, Special, No. 73	1	Z1	ZA 14974	PC 32234 C					R
21	STRIPS, Clamping, No. 1.....	6	Z1	ZA 15000	PC 47428		X	R	R	R
22	STRIPS, Clamping, No. 5.....	1	Z1	ZA 14998	PC 82511		X	R	R	R
23	STRIPS, Clamping, No. 6.....	1	Z1	ZA 14999	PC 82510		X	R	R	R
24	STRIPS, Clamping, No. 8.....	2	Z1	ZA 15001	PC 47491		X	R	R	R
25	STUDS, Fastener, No. 1.....	10	Z1	ZA 14994	PC 64525		X	X	X	X
26	TERMINALS, Spring-Loaded, No. 4.....	1	Z1	ZA 9264	PC 64527		X	X		R
27	HOLDERS, Terminals Spring-Loaded.....	1	Z1	ZA/CAN 1301						R
28	PILLARS, Terminals Spring-Loaded.....	1	Z1	ZA/CAN 1302						R
29	SCREWS, ANC, Brass, BH, 8-32 x 5/16-in.	1	Z2	ZB/CAN 3293						R
30	SPRINGS, Steel, 1/4-in. Dia, x 5/8-in.	1	Z1	ZA/CAN 1303						R
31	WIRELESS SETS, No. 19:- BASES, No. 3.....	1	Z1	ZA 14996	PC 63410 C		X	R		R
32	WIRELESS SETS, No. 19:- STRAPS, Clamping, No. 1.....	1	Z1	ZA 2987	PC 76454 C		X	R		R
33	PINS, Keep, Split, 1/16-in. x 1/2-in.....	1	Z2	ZB/CAN 0656						R
34	PLATES, Clamping, No. 11.....	1	Z1	ZA 14973	PC 46213 C					R
35	WIRELESS SETS, No. 19:- NUTS, Special, No. 73	1	Z1	ZA 14974	PC 32234 C					R
	MOUNTING HARDWARE									
36	BOLTS, BA, Steel, Ch H, No. 2 x 2-in.....		Z2	ZB/CAN 1084	PC 31055		X	X		R
37	BOLTS, BA, Steel, Csk H, No. 2 x 1.3/4-in....		Z2	ZB/CAN 1087	PC 31266		X	X		R
38	NUTS, BA, Steel, Hex, No. 2.....		Z2	ZB/CAN 3214	PC 30368					R
39	NUTS, BSF, Steel, Hex, 1/4-26.....		Z2	ZB/CAN 1094	PC 30355		X	X		R
40	SCREWS, BA, Steel, Ch H, No. 2 x 3/8-in....		Z2	ZB/CAN 2855	PC 30158					R
41	SCREWS, BSF, Steel, Hex H, 1/4-26 x 1.1/2-in.		Z2	ZB/CAN 1093	PC 30584		X	X		R
42	WASHERS, Lock, Steel, 5/16-in. OD, 3/16-in. ID, .038-in. thick.....		Z2	ZB/CAN 0503			X	X		X
43	WASHERS, Shakeproof No. 1214.....		Z2	ZB/CAN 0659	[RCA 59049-23 R 15019-14					X

• These items only are carried in Ordnance as Spares. Full designation and V.A.O.S. number MUST be quoted on indents.



SUPPLY UNITS, NO. 2

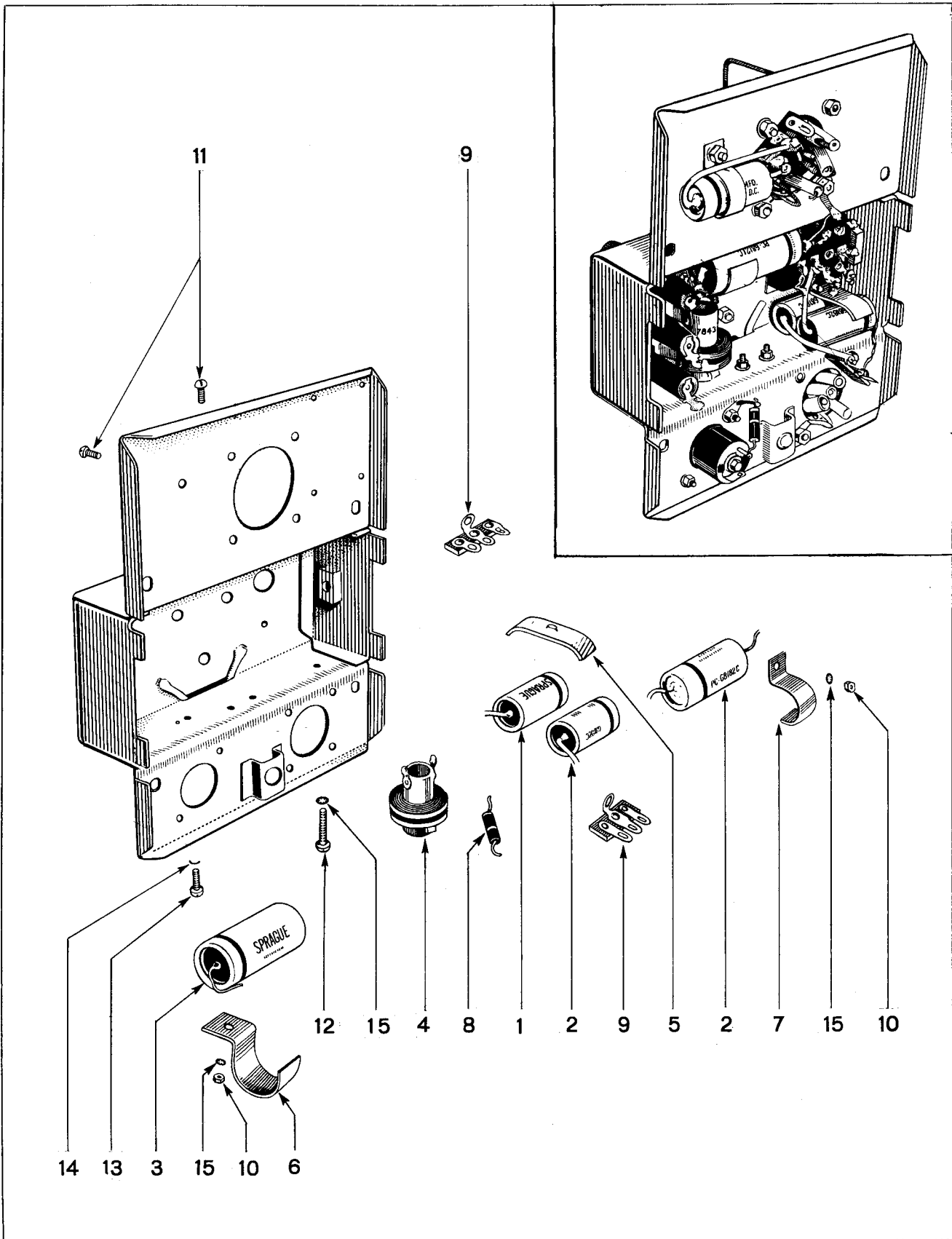
Det. No.	DESIGNATION	No. per Illus.	V. A. O. S.		Manufacturers Number	Cir. Ref.	Repair Schedule			
			Sect.	Number			Unit	Echelon		
								1st	2nd	4th
	WIRELESS SETS, CANADIAN, NO. 19, MK III									
	SUPPLY UNITS No. 2									
1	Front Panel.....			(See Index)						
2	Rear of Front Panel.....			(See Index)						
3	Top of Platform.....			(See Index)						
4	Bottom of Platform.....			(See Index)						
5	Rotary Transformer.....			(See Index)						



SUPPLY UNITS, NO. 2 - FRONT PANEL

Det. No.	DESIGNATION	No. per Illus.	V. A. O. S.		Manufacturers Number	Cir. Ref.	Repair Schedule						
			Sect.	Number			Unit	Echelon					
								1st	2nd	4th			
	SUPPLY UNITS, NO. 2		Z1	ZA/CAN/BR 10572	RCA 101988-88								
	FRONT PANEL												
1	● BULBS, 12-Volt, Miniature, 0.2-Amp.....	1	W2	WB/CAN 0093	PC 90615 C	PLA	X	X	X	X			
2	● CONNECTIONS, Earth, 7-in., No. Cl.....	1	Z1	ZA/CAN 0143	RCA 113897-501		EX	R	R	R			
3	BRAID, Copper, 1/4-in.....	7-in	Z1	ZA/CAN 0354	PC 92049 C-212								
4	LUGS, Solder, 25-Amp, 5/16-in. Hole OR LUGS, Solderless, 35-Amp, 1/4-in. Hole.....	1	Z1	ZA/CAN 0362	PC 90796 C								
5	LUGS, Solder, 25-Amp, 1/4-in. Side Slot OR LUGS, Solderless, 25-Amp, 3/16-in. Side Slot.....	1	Z1	ZA/CAN 0364	ICA 113974-1								
		1	Z1	ZA/CAN 0361	IJA 113900-1								
6	● FUSES, Cartridge, No. 1, 250-ma.....	1	Z1	ZA/CAN 0363	PC 76721 C-191								
7	● FUSES, Cartridge, 10-Amp.....	2	Z1	ZA 3579	PC 90267 C	FLA-B	X	X	X	X			
8	● HOLDERS, Fuse, No. Cl.....	1	Z1	ZA/CAN 0074	RCA 113838-1	F/C 101A	X	X	X	X			
9	BODIES, Holders Fuse, No. Cl.....	3	Z1	ZA/CAN 0128	PC 90266 C-1								
10	● CAPS, Holders Fuse, No. Cl.....	3	Z1	ZA/CAN 0129	PC 90266 C-2								
11	NUTS, Special, Holders Fuse (part of item 9).....	3	Z1	ZA/CAN 0130	PC 90266 C-3		X	R	R	R			
12	WASHERS, Fibre, 3/4-in. OD, 1/2-in. ID, .025-in. thick.....	3	Z1	ZA/CAN 0131	PC 90266 C-(2)								
13	WASHERS, Rubber, 5/8-in. OD, 1/2-in. ID, .032-in. thick.....	3	Z1	ZA/CAN 0132	RCA 102548-13								
14	● HOLDERS, Lamp, No. 1 (See Index).....	3	Z1	ZA/CAN 0134									
15	● HOLDERS, Watch, No. Cl.....	1	Z1	ZA 4201	PC 90614 C-1		R	R	R	R			
16	BASES, Holders Watch, No. Cl.....	1	Z1	ZA/CAN 0140	PC 90817 C		X	X	X	X			
17	CAPS, Holders Watch, No. Cl.....	1	Z1	ZA/CAN 0141	PC 90817 C-192								
18	CAPS, Holders Watch, No. Cl.....	1	Z1	ZA/CAN 0142	PC 90817 C-191								
19	NAMETABLES, Supply Unit No. 2.....	1	Z1	ZA/CAN 0159	RCA 113935								
20	PANELS, Front, Supply Unit No. 2 (See Index).....	1	Z1	ZA/CAN 0146	RCA 110046-502								
21	PLATES, Fixing, Carrying Assemblies, No. Cl.....	1	Z1	ZA/CAN 0176	PC 45903 C								
22	● PLUGS, 6-Point, No. 4 (See Index).....	1	Z1	ZA/CAN/BR 2815	PC 75429 C	PL1C							
23	● PLUGS, 12-Point, No. 1 (See Index).....	1	Z1	ZA/CAN/BR 2816	PC 75423 C	PL2C	R	R	R	R			
24	● SCREWS, BA, Brass, Thumb, No. 2 x 7/16-in.....	1	Z1	ZA/CAN 0174	RCA 113944		X	X	X	X			
25	● SCREWS, Captive, No. 5.....	1	Z1	ZA 14582	PC 32101 C		X	X	X	X			
26	● STRAPS, Web, Carrying, 6.1/2-in. long.....	1	Z1	ZA/CAN 0175	PC 45921 C		X	X	X	X			
27	● SWITCHES, Toggle, 4-pole, 3-position, No. Cl.....	1	Z1	ZA/CAN 0178	RCA 110063-1	S/C 101A	X	X	X	X			
28	TAGS, Shakeproof No. 2103-4.....	1	Z1	ZA/CAN 0054	K 30042-2								
		3	Z1	ZA/CAN 0078	[K 30042-1 RCA 11389-2		X	R	R	R			
	MOUNTING HARDWARE												
29	NUTS, BA, Brass, Hex, No. 2.....		Z2	ZB/CAN 3203	R 11733-2								R
30	NUTS, BA, Brass, Hex, No. 4.....		Z2	ZB/CAN 3205	R 11733-4								R
31	NUTS, BA, Brass, Hex, No. 6.....		Z2	ZB/CAN 3207	R 11733-6								R
32	SCREWS, ANC, Steel, RH, 6-32 x 5/16-in.....		Z2	ZB/CAN 3019	R 15104-5								R
33	SCREWS, BA, Steel, Ch H, No. 2 x 3/8-in.....		Z2	ZB/CAN 2855	R 11724-6								R
34	SCREWS, BA, Steel, Csk H, No. 4 x 3/8-in.....		Z2	ZB/CAN 3164	R 11709-6								R
35	SCREWS, BA, Steel, RH, No. 4 x 5/16-in.....		Z2	ZB/CAN 2938	R 11701-5								R
36	SCREWS, BA, Steel, RH, No. 4 x 3/8-in.....		Z2	ZB/CAN 2939	R 11701-6								R
37	SCREWS, BA, Steel, RH, No. 6 x 3/8-in.....		Z2	ZB/CAN 2952	R 11702-6								R
38	SCREWS, BA, Steel, RH, No. 6 x 1/2-in.....		Z2	ZB/CAN 2954	R 11702-8								R
39	SCREWS, Thread-cutting, RH, 4-40 x 1/4-in.....		Z2	ZB/CAN 3377									R
40	WASHERS, Shakeproof No. 1124.....		Z2	ZB/CAN 0343	RCA 59049-11								R
41	WASHERS, Shakeproof No. 1204.....		Z2	ZB/CAN 0344	[RCA 59049-18 LR 15019-4								R
42	WASHERS, Shakeproof No. 1206.....		Z2	ZB/CAN 0345	[RCA 59049-19 LR 15019-6								R
43	WASHERS, Shakeproof No. 1210.....		Z2	ZB/CAN 0347	R 15019-10								R
44	WASHERS, Steel, 3/4-in. OD, 9/16-in. ID, .032-in. thick.....		Z2	ZB/CAN 0133	PC 90266C-191								R

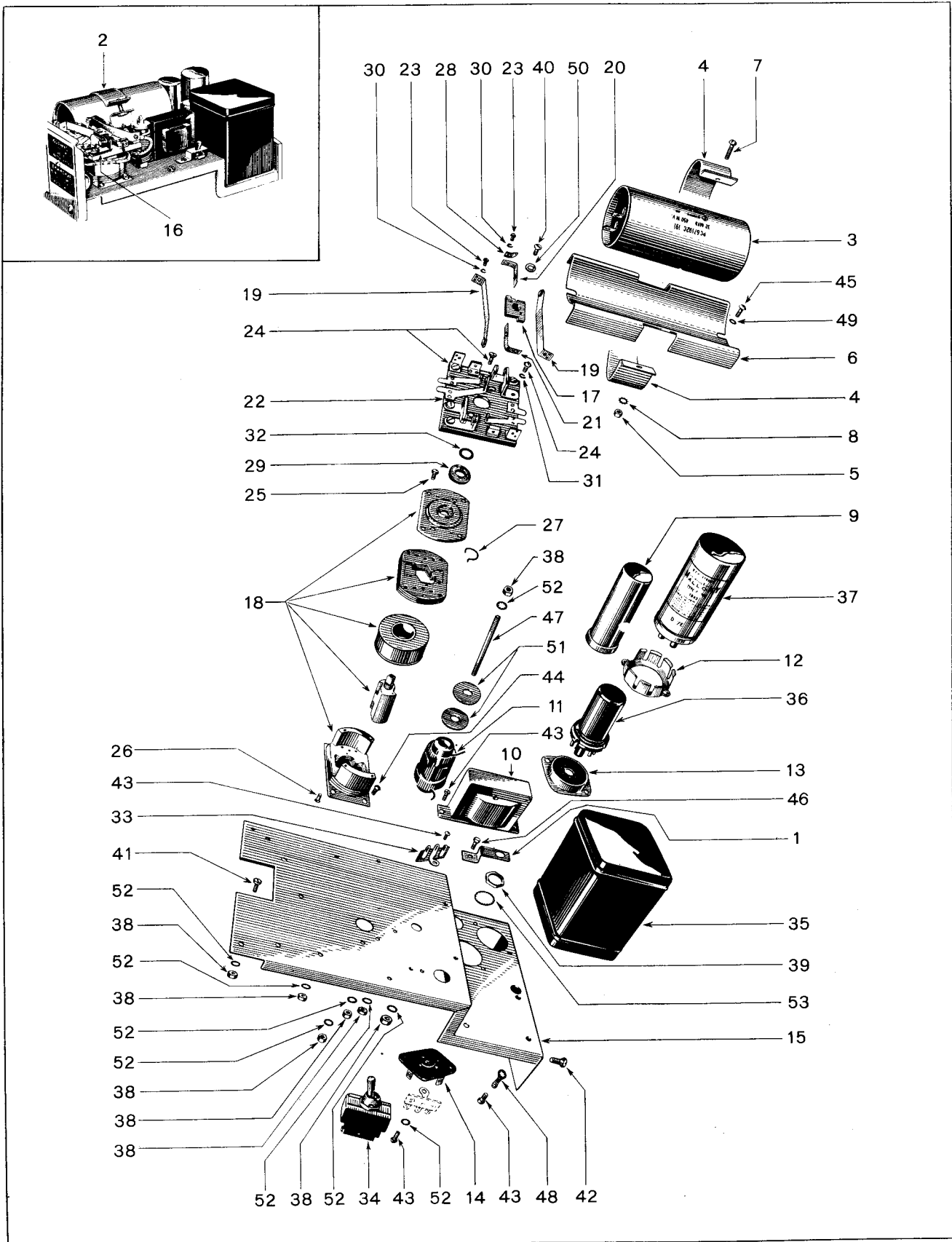
● These items only are carried in Ordnance as Spares. Full designation and V.A.O.S. number MUST be quoted on indents.



SUPPLY UNITS, NO. 2 - REAR OF FRONT PANEL

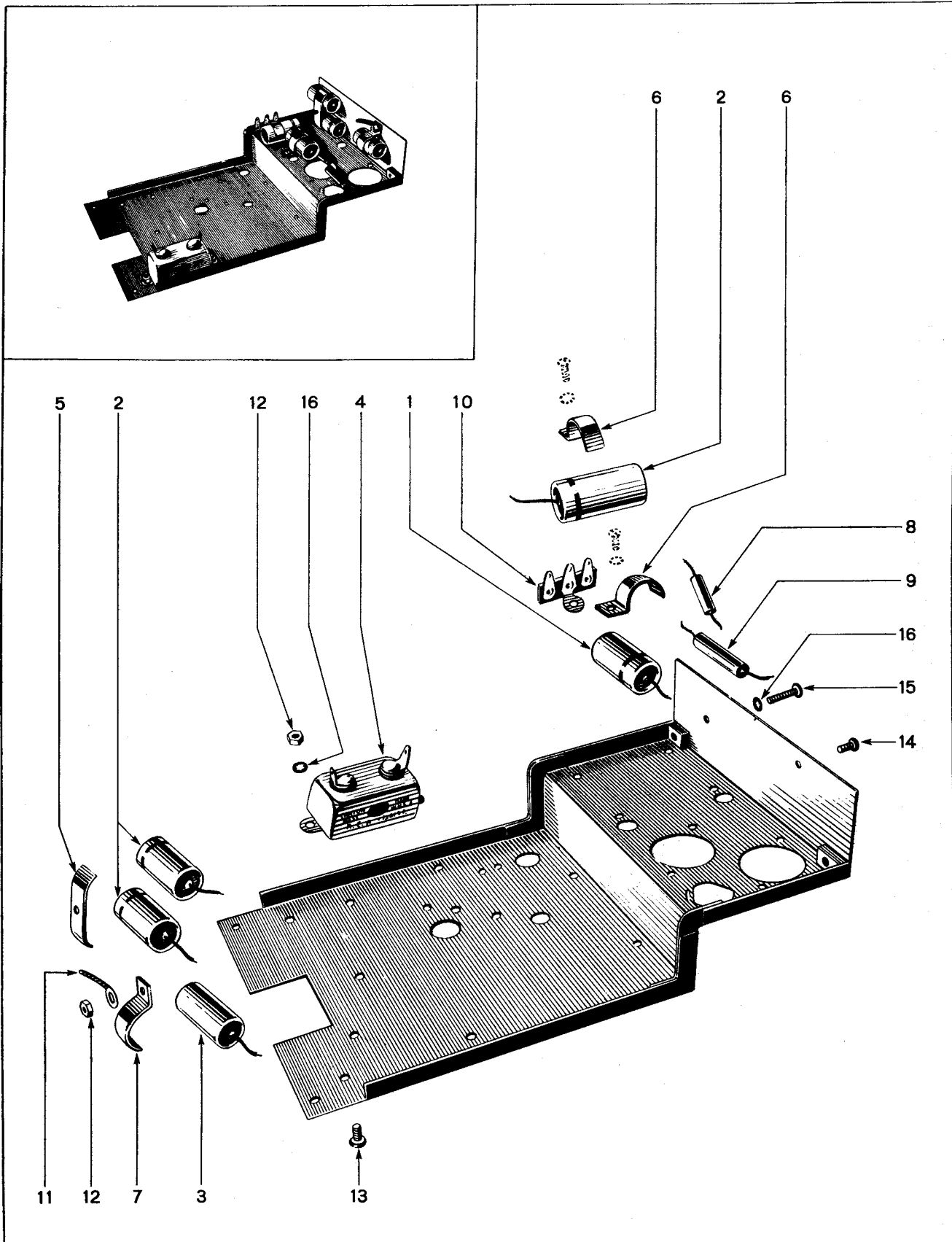
Det. No.	DESIGNATION	No. per Illus.	V. A. O. S.		Manufacturers Number	Cir. Ref.	Repair Schedule			
			Sect.	Number			Unit	Echelon		
								1st	2nd	4th
SUPPLY UNITS, NO. 2										
REAR OF FRONT PANEL										
1	● CAPACITORS, Oil-Paper, .025-uF, 500-Volts, 20%.....	1	Z1	ZA/CAN 0100	PC 68183 C	C 22 C	X	X	X	
2	● CAPACITORS, Oil-Paper, 0.1-uF, 500-Volts, 20%, No. Cl.....	2	Z1	ZA/CAN 0097	PC 68182 C	C 4 CP C/C101C	X	X	X	
3	● CAPACITORS, Oil-Paper, 0.1-uF, 750-Volts, 10%.....	1	Z1	ZA/CAN 0099	PC 68121 C	C/C106A	X	X	X	
4	● CHOKES, RF, No. 95.....	1	Z1	ZA 14579	PC 78439 C	L 18 A	R	R	R	
5	● CLEATS, Capacitor, Double, No. C2.....	1	Z1	ZA/CAN 0120	RCA 113828-1		R	R	R	
6	● CLEATS, Condenser, No. 2.....	1	Z1	ZA 11710	PC 43841 C Det 2		R	R	R	
7	● CLEATS, Condenser, No. 3.....	1	Z1	ZA 11831	PC 42968 C Det 2		R	R	R	
8	● RESISTORS, Wirewound, 1/2-Watt, 20-Ohms, 10%.....	1	Z1	ZA/CAN 0095	[PC 90460 C K 5975-37B	R 40 A	X	X	R	
9	● STRIPS, Tag, 3-Way, No. 2.....	2	Z1	ZA 12462	PC 70253 C		X	R	R	
MOUNTING HARDWARE										
10	● NUTS, BA, Brass, Hex, No. 4.....		Z2	ZB/CAN 3205	R 11733-4		X	X	R	
11	● SCREWS, BA, Steel, RH, No. 4 x 5/16-in.....		Z2	ZB/CAN 2938	R 11701-5		X	X	R	
12	● SCREWS, BA, Steel, RH, No. 4 x 15/16-in.....		Z2	ZB/CAN 2948	R 11701-15				R	
13	● SCREWS, BA, Steel, RH, No. 6 x 7/16-in.....		Z2	ZB/CAN 2953	R 11702-7		X	X	R	
14	● WASHERS, Shakeproof No. 1204.....		Z2	ZB/CAN 0344	[RCA 59049-18 R 15019-4		X	X	R	
15	● WASHERS, Shakeproof No. 1206.....		Z2	ZB/CAN 0345	[RCA 59049-19 R 15019-6		X	X	R	

● These items only are carried in Ordnance as Spares. Full designation and V.A.O.S. number MUST be quoted on indents.



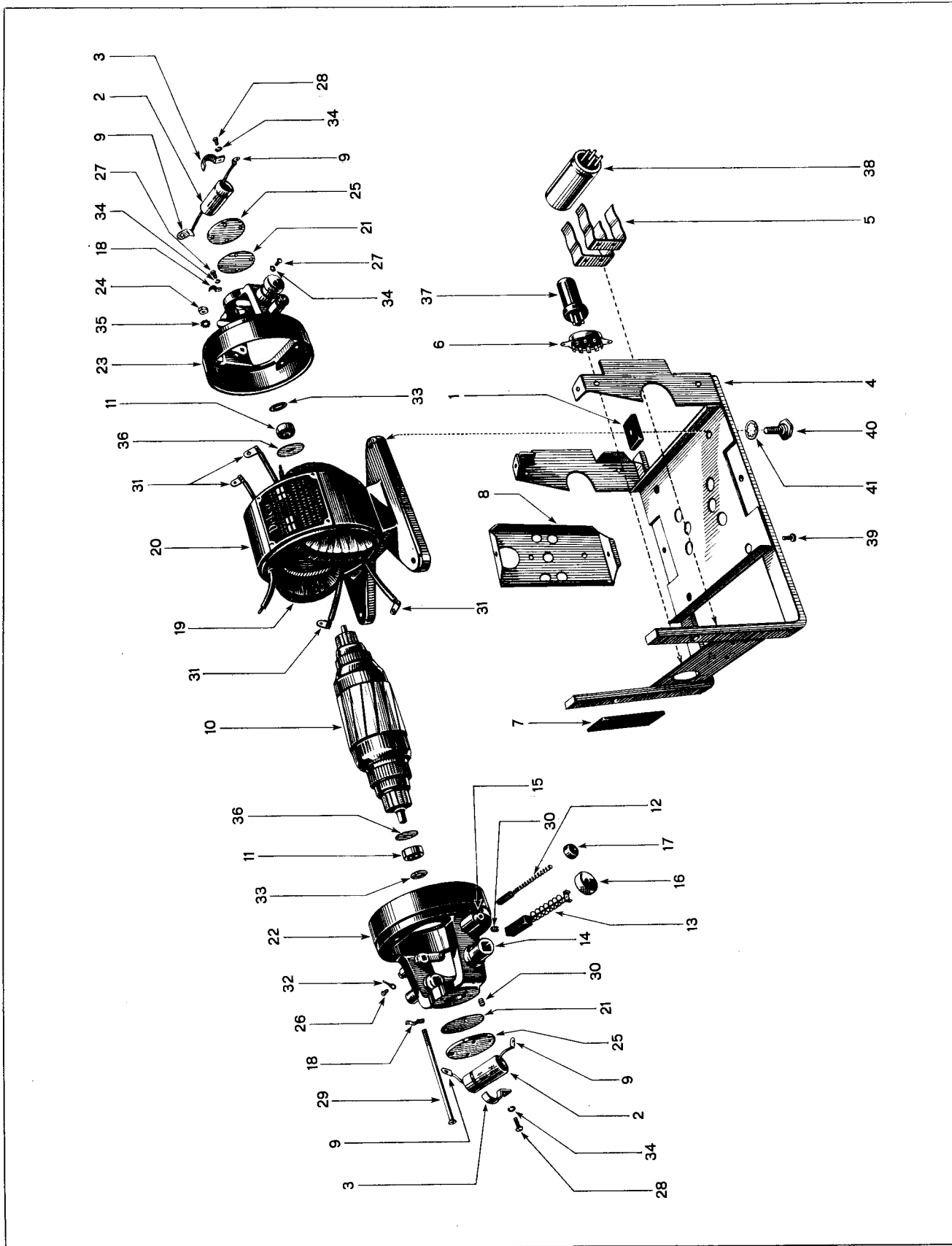
SUPPLY UNITS, NO. 2 - TOP OF PLATFORM

Det. No.	DESIGNATION	No. per Illus.	V. A. O. S.		Manufacturers Number	Cir. Ref.	Repair Schedule			
			Sect.	Number			Unit	Echelon		
								1st	2nd	4th
SUPPLY UNITS, NO. 2										
TOP OF PLATFORM										
1	BRACKETS, Locking, No. Cl.....	1	Z1	ZA/CAN 0094	RCA 113943					R
2	● CAPACITOR ASSEMBLIES, Electrolytic, 32-uF, 450-v.....	1	Z1	ZA/CAN 0102	PC 67192 C		X	X	X	
3	● CAPACITORS, Electrolytic, Dry, 32-uF, 450-v, -10% 50%.....	1	Z1	ZA/CAN 0162	PC 67192 C-191	C32A	X	X	X	
4	CLAMPS, Capacitor Assemblies, 6.1/2-in. x 1-in.....	1	Z1	ZA/CAN 0106	PC 67192 C-193					R
5	NUTS, ANC, Steel, Hex, 6-32.....	1	Z2	ZB/CAN 3234	R 15075-6					R
6	PLATES, Capacitor Assemblies, 5.5/8-in. long, 2.3/8-in. wide.....	1	Z1	ZA/CAN 0103	PC 67192 C-192					R
7	SCREWS, ANC, Steel, RH, 6-32 x 5/8-in.....	1	Z2	ZB/CAN 3024	R 15104-9		X	X	X	R
8	WASHERS, Shakeproof No. 1106.....	1	Z2	ZB/CAN 0356	RCA 59049-3					X
9	● CAPACITORS, Electrolytic, Dry, 20/20-uF, 450-v, -10% 50%.....	1	Z1	ZA/CAN 0101	RCA 113827-1	C/C105A C/C105B	X	X	X	
10	● CHOKES, Filter, No. Cl.....	1	Z1	ZA/CAN 0112	RCA 113806-501	L/C101A L18A	X	X	X	
11	● CHOKES, RF, LT, Filter.....	1	Z1	ZA/CAN 0114	RCA 113865-501		X	X	X	
12	● CLIPS, Vibrator Retaining, No. 1.....	1	Z1	ZN 2434	RCA 113844-1		X	X	X	
13	● HOLDERS, Valve, Octal, International, 1.1/2-in. Centres, No. Cl.....	1	Z1	ZA/CAN 0138	RCA 113802-1		X	X	X	R
14	● HOLDERS, Valve, 4-pin, No. Cl.....	1	Z1	ZA/CAN 0139	RCA 113843-1		X	X	X	R
15	● PLATFORMS, Steel, 9.9/16-in. x 5.11/16-in.....	1	Z1	ZA/CAN 0148	RCA 105489-501				EX	R
16	● RELAYS, 3-Pole, DT, No. Cl.....	1	Z1	ZA/CAN 0171	RCA 110053-1	S/C103A	X		R	
17	CAMS, Operating, Relay.....	1	Z1	ZA/CAN 0203						R
18	COILS, Operating, Relay.....	1	Z1	ZA/CAN 0105						R
19	CONTACTS, Relay, No. C1.....	2	Z1	ZA/CAN 0199						R
20	CONTACTS, Relay, No. C2.....	1	Z1	ZA/CAN 0201						R
21	CONTACTS, Relay, No. C3.....	1	Z1	ZA/CAN 0202						R
22	PANELS, Contact, Relay.....	1	Z1	ZA/CAN 0164						R
23	SCREWS, ANC, Brass, RH, 2-56 x 3/16-in.....	4	Z2	ZB/CAN 2651						R
24	SCREWS, ANC, Brass, BH, 4-40 x 5/16-in.....	8	Z2	ZB/CAN 3267						R
25	SCREWS, ANC, Steel, BH, 4-40 x 1/2-in.....	4	Z2	ZB/CAN 3324						R
26	SCREWS, ANC, Steel, Csk H, 4-40 x 1/2-in.....	4	Z2	ZB/CAN 3063						R
27	SPRINGS, Armature, Relay.....	1	Z1	ZA/CAN 0205						R
28	TAGS, Relay, 3-Pole DT.....	2	Z1	ZA/CAN 0242						R
29	WASHERS, Felt, 7/16-in. OD, 1/4-in. ID, 1/8-in. thick.....	1	Z1	ZA/CAN 0204						R
30	WASHERS, Phosphor Bronze, Lock, 5/32-in. OD, .09-in. ID, .032-in. thick.....	4	Z2	ZB/CAN 0338						R
31	WASHERS, Phosphor Bronze, Lock, 7/32-in. OD, 1/8-in. ID, .034-in. thick.....	6	Z2	ZB/CAN 0339						R
32	WASHERS, Steel, 7/16-in. OD, 1/4-in. ID, .006-in. thick.....	1	Z1	ZA/CAN 0241						R
33	● STRIPS, Tag, 3-Way, No. 2.....	1	Z1	ZA 12462	PC 70253 C		X	X	X	
34	● SWITCHES, Toggle, DPDT, No. Cl.....	1	Z1	ZA/CAN 0177	RCA 113808-1	S/C102A	X	X	X	
35	● TRANSFORMERS, Vibrator, No. Cl.....	1	Z1	ZA/CAN 0179	RCA 113807-501	T/C101A V/C101A	X	X	X	
36	● VALVES, W/T, Type OZ4A.....	1	Z1	JAN OZ4A/1003			X	X	X	
37	● VIBRATORS, No. Cl.....	1	Z1	ZA/CAN 0181	RCA 110050-1		X	X	X	
MOUNTING HARDWARE										
38	● NUTS, BA, Brass, Hex, No. 4.....		Z2	ZB/CAN 3205	R 11733-4		X	X		R
39	NUTS, SAE, Brass, Hex, 15/32-32, 9/16-in. A/F.....		Z1	ZA/CAN 0196						R
40	SCREWS, ANC, Brass, BH, 4-40 x 5/16-in.....		Z2	ZB/CAN 3267						R
41	● SCREWS, BA, Brass, Ch H, No. 4 x 3/8-in.....		Z2	ZB/CAN 2816	R 11729-6		X	X		R
42	SCREWS, BA, Steel, Csk H, No. 2 x 9/16-in.....		Z2	ZB/CAN 0353	R 11708-9					R
43	● SCREWS, BA, Steel, RH, No. 4 x 1/4-in.....		Z2	ZB/CAN 2937	R 11701-4		X	X		R
44	● SCREWS, BA, Steel, RH, No. 4 x 5/16-in.....		Z2	ZB/CAN 2938	R 11701-5		X	X		R
45	● SCREWS, BA, Steel, RH, No. 4 x 3/8-in.....		Z2	ZB/CAN 2939	R 11701-6		X	X		R
46	SCREWS, Self-tapping, P-K type Z, Steel, Hex, Slotted, No. 6 x 1/4-in.....		Z2	ZB/CAN 0355	K 73159-1					R
47	STUDS, BA, Brass, No. 4 x 2.3/8-in.....		Z1	ZA/CAN 0115	PC 30597 C-191					R
48	● TAGS, Shakeproof No. 2103-6.....		Z1	ZA/CAN 0078	K 30042-1		X	X		R
49	WASHERS, Brass, 5/16-in. OD, 5/32-in. ID, .036-in. thick.....		Z2	ZB/CAN 0335	R 11734-4					R
50	WASHERS, Phosphor Bronze Lock, 17/64-in. OD, 11/64-in. ID, .044-in. thick.....		Z2	ZB/CAN 0340						R
51	● WASHERS, Phenolic, 3/4-in. OD, 5/32-in. ID, .062-in. thick.....		Z1	ZA/CAN 0116	PC 40371 C		X	X		R
52	● WASHERS, Shakeproof No. 1206.....		Z2	ZB/CAN 0345	RCA 59049-19 R 15019-6		X	X		X
53	WASHERS, Shakeproof No. 1222-1.....		Z2	ZB/CAN 0350						X



SUPPLY UNITS, NO. 2 - BOTTOM OF PLATFORM

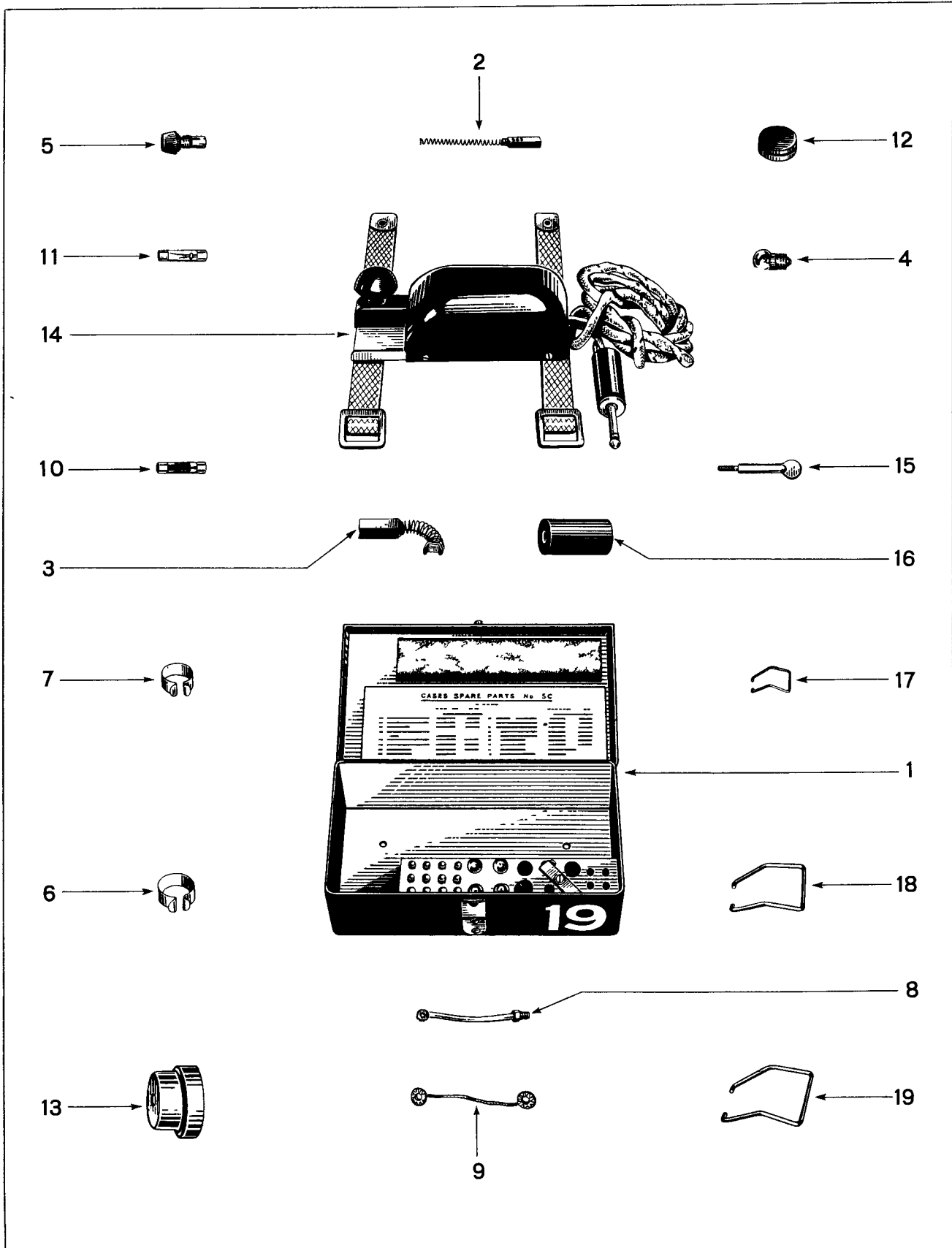
Det. No.	DESIGNATION	No. per Illus.	V. A. O. S.		Manufacturers Number	Cir. Ref.	Repair Schedule			
			Sect.	Number			Unit	Echelon		
								1st	2nd	4th
SUPPLY UNITS, NO. 2										
BOTTOM OF PLATFORM										
1	● CAPACITORS, Oil-Paper, .004-uF, 500-Volts, 10%.....	1	Z1	ZA/CAN 0096	RCA 113809-1		X	X	X	
2	● CAPACITORS, Oil-Paper, 0.1-uF, 500-Volts, 20%, No. C1.....	3	Z1	ZA/CAN 0097	PC 68182C		X	X	X	
3	● CAPACITORS, Oil-Paper, 0.1-uF, 500-Volts, 20%, No. C2.....	1	Z1	ZA/CAN 0098	RCA 114045-1		X	X	X	
4	● CAPACITORS, Oil-Paper, 1-uF, 65-Volts, 10%.....	1	Z1	ZA/CAN 0108	RCA 113810-1		X	X	X	
5	● CLEATS, Capacitor, Double, No. C2.....	1	Z1	ZA/CAN 0120	RCA 113828-1		R	R	R	
6	● CLEATS, Condenser, No. 3.....	2	Z1	ZA 11831	PC 42968C		R	R	R	
7	● CLEATS, Condenser, No. 3 (Bent to 5/16-in. Radius).....	1	Z1	ZA 11831	PC 42968C		R	R	R	
8	● RESISTORS, Metallized, 1/2-Watt, 15,000-Ohms, 10%.....	1	Z1	ZA/RC 21AE153K	RCA 113804-2		X	X	X	
9	● RESISTORS, Wirewound, 1-Watt, 47-Ohms, 20%.....	1	Z1	ZA/CAN 0157	RCA 113804-1		X	X	X	
10	● STRIPS, Tag, 3-Way, No. 2.....	1	Z1	ZA 12462	PC 70253C		X	X	X	
11	● TAGS, Shakeproof No. 2103-6.....	1	Z1	ZA/CAN 0078	K 30042-1					X
MOUNTING HARDWARE										
12	● NUTS, BA, Brass, Hex, No. 4.....		Z2	ZB/CAN 3205	R 11733-4		X	X	R	
13	● SCREWS, BA, Steel, RH, No. 4 x 1/4-in.....		Z2	ZB/CAN 2937	R 11701-4		X	X	R	
14	● SCREWS, BA, Steel, RH, No. 4 x 5/16-in.....		Z2	ZB/CAN 2938	R 11701-5		X	X	R	
15	● SCREWS, BA, Steel, RH, No. 4 x 15/16-in.....		Z2	ZB/CAN 2948	R 11701-15		X	X	R	
16	● WASHERS, Shakeproof No. 1206.....		Z2	ZB/CAN 0345	RCA 59049-19 R 15019-6					X
<p>● These items only are carried in Ordnance as Spares. Full designation and V.A.O.S. number MUST be quoted on indents.</p>										



SUPPLY UNITS, NO. 2 - ROTARY TRANSFORMER

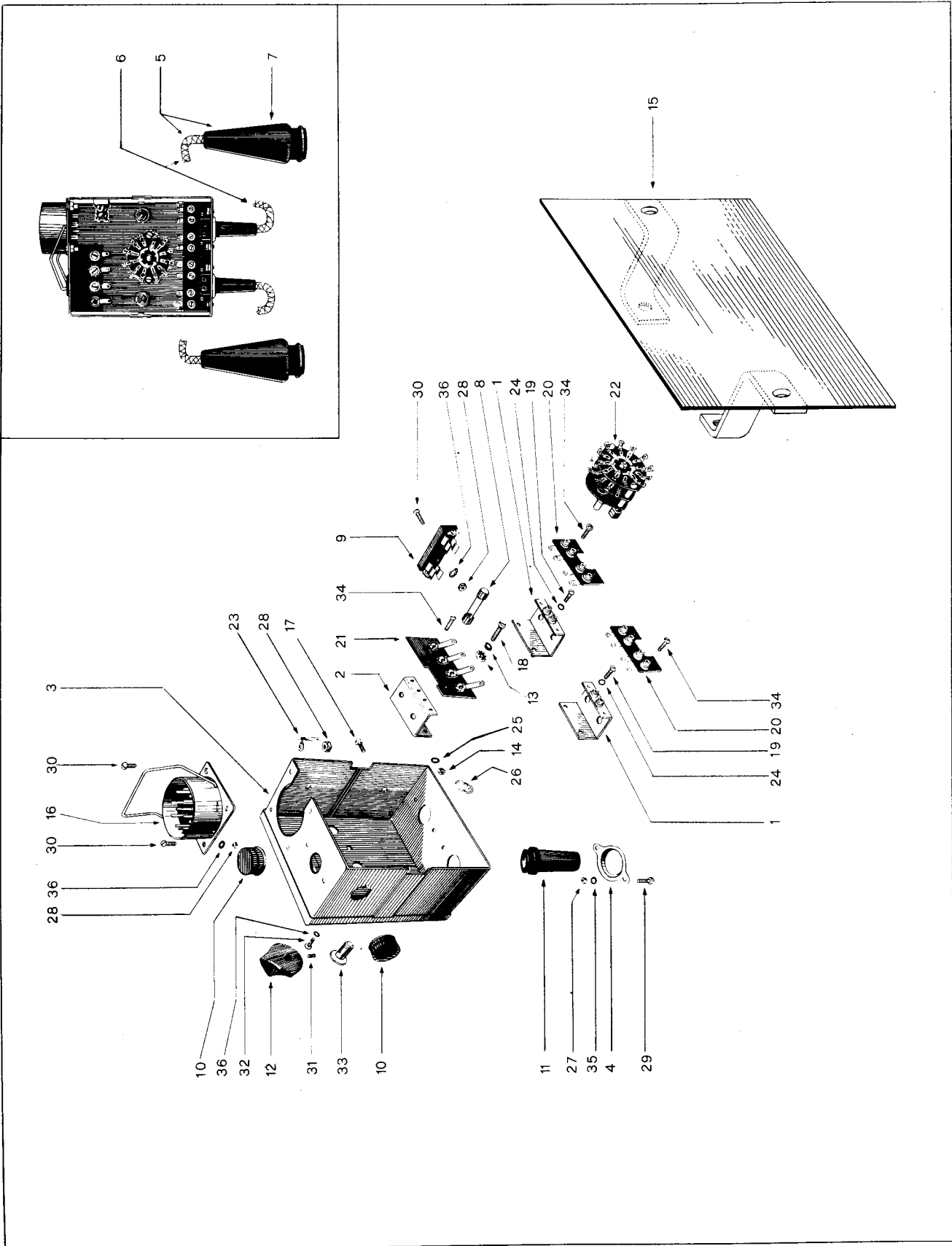
Det. No.	DESIGNATION	No. per Illus.	V. A. O. S.		Manufacturers Number	Cir. Ref.	Repair Schedule			
			Sect.	Number			Unit	Echelon		
								1st	2nd	4th
SUPPLY UNITS, NO. 2										
ROTARY TRANSFORMER										
1	● BUFFERS, Rubber, No. 9.....	4	Z1	ZA 14575	PC 45725		X	X	X	
2	● CAPACITORS, Oil-Paper, 0.1-uF, 500-V, 20%, No. C1.....	2	Z1	ZA/CAN 0097	PC 68182 C		X	X	X	
3	● CLEATS, Capacitor, No. C2.....	2	Z1	ZA/CAN 0118	CA 113962-1		X	X	X	
4	● FRAMES, Metal, No. C1.....	1	Z1	ZA/CAN 0111	CA 101984-501		EX	X	X	
5	● HOLDERS, Metal, Vibrator, No. C1.....	2	Z1	ZA/CAN 0121	RCA 113816-1		X	X	X	
6	● HOLDERS, Valve, Octal, International, 1.1/2-in. Centres, No. C2.....	1	Z1	ZA/CAN 0138	RCA 113802-1		X	X	X	
7	● PADS, Rubber, 2-in. x 1-in. x 1/8-in. OR	2	Z1	ZA/CAN 0145	PC 45723 C		X	X	X	
	● PADS, Felt, 2-in. x 1-in. x 1/8-in.....	2	Z1	ZA/CAN 0243	PC 45723 C		X	X	X	
8	● PLATES, Side-Supporting, S.U. No. 2.....	2	Z1	ZA/CAN 0147	PC 45866 C		X	X	X	
9	● TAGS, Shakeproof No. 2539-8.....	4	Z1	ZA/CAN 0251	RCA 113891-1				X	
	● TRANSFORMERS, Rotary, HT, 46-Watts.....	1	Z1	ZA/CAN 0123	RCA 101985-1		EX	X	X	
10	● ARMATURES, Transformers Rotary HT.....	1	Z1	ZA/CAN 0245	RCA 110180-1				X	
11	● BEARINGS, ND No. C8036.....	2	Z1	ZA/CAN 0246					X	
12	● BRUSHES, Dynamo or Motor, No. 4.....	4	Z1	ZA 0742	PC 90769 C		R	R	R	
13	● BRUSHES, Dynamo or Motor, No. 18.....	4	Z1	ZA 1823	PC 90770 C		R	R	R	
14	● BRUSH-HOLDERS, Dynamotor, No. C1.....	4	Z1	ZA/CAN 0253	RCA 118393-1				R	
15	● BRUSH-HOLDERS, Dynamotor, No. C2.....	4	Z1	ZA/CAN 0254	RCA 118393-2				R	
16	● CAPS, Brass, Brush-Holders LT, 9/16-27 Female Thread.....	4	Z1	ZA/CAN 0126	RCA 118394-1				R	
17	● CAPS, Phenolic, Brush-Holders HT, 5/16-32 Female Thread No. C1.....	4	Z1	ZA/CAN 0185	RCA 118394-2				R	
18	● CLIPS, Cable, 3/4-in. x 5/16-in.....	2	W2	WB/CAN 0247					R	
19	● COILS, Field Assemblies, Transformers Rotary HT 46-Watt.....	2	Z1	ZA/CAN 0248					R	
20	● FIELD ASSEMBLIES, Transformers Rotary HT 46-Watt.....	1	Z1	ZA/CAN 0249					R	
21	● GASKETS, Fibre, Transformers Rotary HT 46-Watt.....	2	Z1	ZA/CAN 0250					R	
22	● HOUSINGS, Brush-Holders, Dynamotor, No. C1.....	1	Z1	ZA/CAN 0256					R	
23	● HOUSINGS, Brush-Holders, Dynamotor, No. C2.....	1	Z1	ZA/CAN 0257					R	
24	● NUTS, ANC, Steel, Hex, 8-32.....	3	Z2	ZB/CAN 3235	R 15075-7				R	
25	● PLATES, Cover, Dynamotor, No. C1.....	2	Z1	ZA/CAN 0259					R	
26	● SCREWS, ANC, Steel, RH, 6-32 x 1/4-in.....	4	Z2	ZB/CAN 3018	R 15104-4		X	X	R	
27	● SCREWS, ANC, Steel, RH, 8-32 x 1/4-in.....	5	Z2	ZB/CAN 3031					R	
28	● SCREWS, ANC, Steel, RH, 8-32 x 3/8-in.....	8	Z2	ZB/CAN 3033	R 15095-6				R	
29	● SCREWS, ANC, Steel, RH, 8-32 x 4.1/2-in.....	3	Z1	ZA/CAN 0258					R	
30	● SCREWS, ANC, Steel, Socket Head, Grub, Cup Point, 8-32 x 3/16-in.....	8	Z2	ZB/CAN 2787					R	
31	● TAGS, Patton-MacGuyre No. 3020.....	4	Z1	ZA/CAN 0252					X	
32	● TAGS, Shakeproof No. 2106-6.....	4	Z1	ZA/CAN 0332	R 15011-6		X	X	X	
33	● WASHERS, Fibre, Transformers Rotary HT 46-Watt.....	6	Z1	ZA/CAN 0260					R	
34	● WASHERS, Steel, Lock, 1/4-in. OD, 5/32-in. ID, .046-in. thick.....	13	Z2	ZB/CAN 0341					X	
35	● WASHERS, Shakeproof No. 1108.....	3	Z2	ZB/CAN 0342	RCA 59049-4				X	
36	● WASHERS, Steel, Extruded, Transformers Rotary HT 46-Watt.....	2	Z1	ZA/CAN 0261					R	
37	● VALVES, W/T, Type O24A.....	1	Z1	ZA/JAN 0244/1003			X	X	X	
38	● VIBRATORS, No. C1.....	1	Z1	ZA/CAN 0181	RCA 110050-1		X	X	X	
MOUNTING HARDWARE										
39	● SCREWS, Self-Tapping, P-K Type Z, Csk H, No. 6 x 1/2-in.....		Z2	ZB/CAN 3116	NE 3593-4				R	
40	● SCREWS, Shouldered, ANC, Steel, Hex Hd, 1/4-20 x 13/16-in.....		Z1	ZA/CAN 0127	PC 32102 C		X	X	R	
41	● WASHERS, Shakeproof No. 1218.....		Z2	ZB/CAN 0348	RCA 59049-24		X	X	X	

● These items only are carried in Ordnance as Spares. Full designation and V.A.O.S. number MUST be quoted on indents.



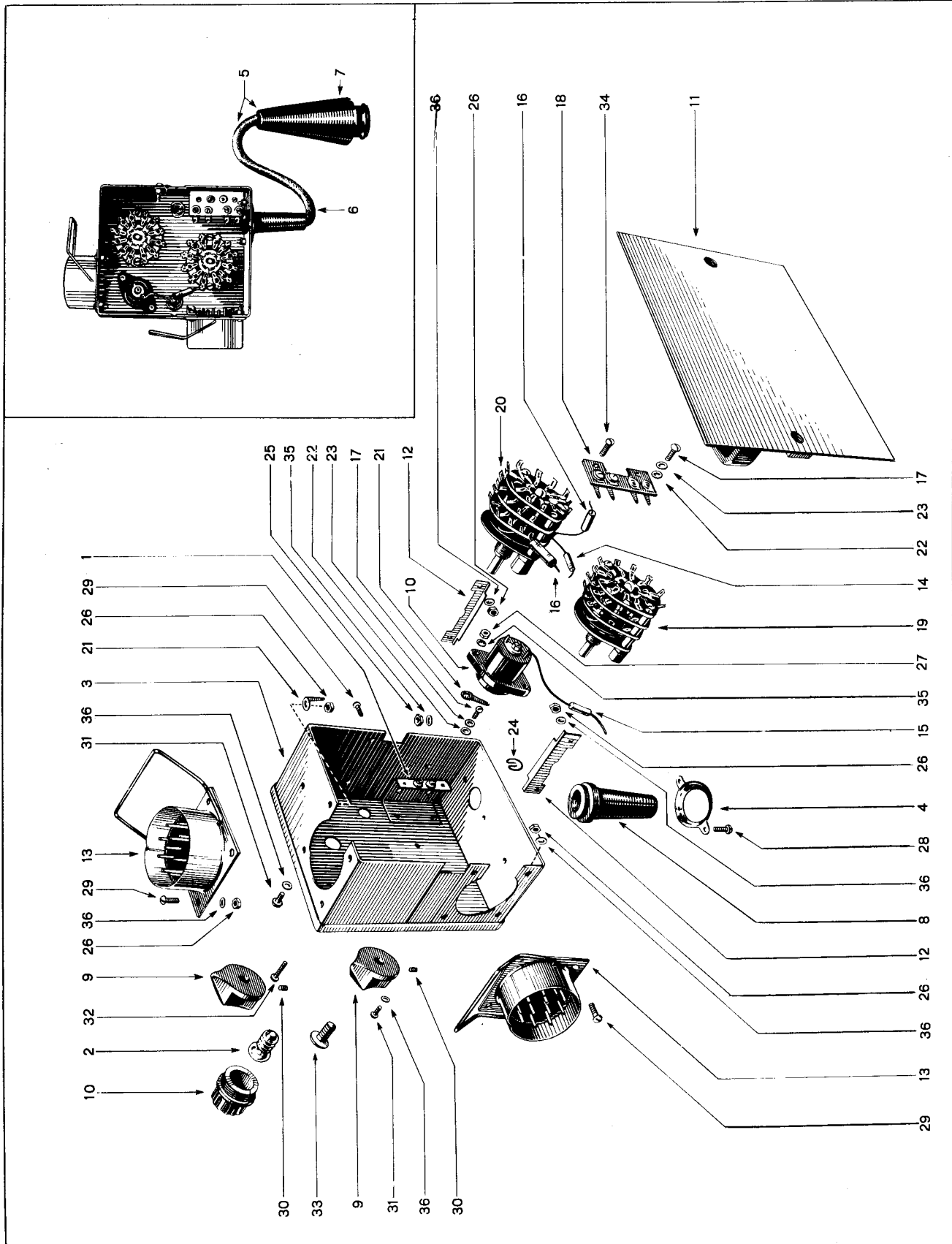
SPARE PARTS CASE

Det. No.	DESIGNATION	No. per Illus.	V. A. O. S.		Manufacturers Number	Cir. Ref.	Repair Schedule			
			Sect.	Number			Unit	Echelon		
								1st	2nd	4th
SPARE PARTS CASE										
1	● CASES, Spare Parts, No. C1.....	1	Z1	ZA/CAN 0712	PC 76550 C		X	R	R	R
2	● BRUSHES, Dynamo or Motor, No. 4.....	4	Z1	ZA 0742	PC 90769 C		R	R	R	R
3	● BRUSHES, Dynamo or Motor, No. 18.....	4	Z1	ZA 1823	PC 90770 C		X	X	X	X
4	● BULBS, 12-V, Miniature, 0.2-Amp.....	6	W2	WB/CAN 0093	PC 90615 C		X	X	X	X
5	● CAPS, Holders Fuse, No. C1.....	2	Z1	ZA/CAN 0130	PC 90266 C-3		X	X	X	X
6	● CLIPS, Spring, No. 18.....	5	Z1	ZA 10298	PC 90545 C		X	X	X	X
7	● CLIPS, Spring, No. 19.....	2	Z1	ZA 10297	PC 90546 C		X	X	X	X
8	● CONNECTORS, Pigtail, No. 1.....	2	Z1	ZA 1868	PC 76556 C		X	X	X	X
9	● CONNECTORS, Pigtail, No. 2.....	2	Z1	ZA 10024	PC 76557 C		X	X	X	X
10	● FUSES, Cartridge, 10-Amp.....	12	Z1	ZA/CAN 0074	RCA 113838-1		X	X	X	X
11	● FUSES, Cartridge, No. 1, 250-mA.....	12	Z1	ZA 3579	PC 90267 C		X	X	X	X
12	● GROMMETS, Rubber, Blind, No. C2.....	6	Z1	ZA/CAN 0237	PC 90816 C-191		X	X	X	X
13	● INSETS, Microphone, Moving Coil, No. C1.....	1	Z1	ZA/CAN 0605	PC 90617 C		X	X	X	X
14	● KEY & PLUG ASSEMBLIES, Canadian, No. 9 Type 2.....(See Index)	1	Z1	ZA/CAN 0715	RCA 110072-1		X	X	R	R
15	● SCREWS, Clamping, No. C2.....	6	Z1	ZA/CAN 4363	PC 32089 C-Det.2		X	X	X	R
16	● SLEEVING, Sponge-Rubber, 3/4-in. OD, 1.1/2-in. Long.....	2	Z1	ZA/CAN 0326	PC 90653 C		X	X	X	X
17	● SPRINGS, Retaining, No. C1.....	3	Z1	ZA/CAN 0041	PC 90154 C		X	X	X	R
18	● SPRINGS, Retaining, No. C2.....	2	Z1	ZA/CAN 0154	PC 90521 C		X	X	X	R
19	● SPRINGS, Retaining, No. C3.....	5	Z1	ZA/CAN 0167	PC 90520 C		X	X	X	R
<p>NOTE: (a) Alternative Types of Key & Plug Assemblies may be found. See Index for other types.</p> <p>(b) Earlier Designation of Item 1 was Cases, Spare Parts, No. 5C. This is not correct for Spare Parts Case used with W/S, Cdn, No. 19, Mk III.</p>										
<p>● These items only are carried in Ordnance as Spares. Full designation and V A O S number MUST be quoted on indents</p>										



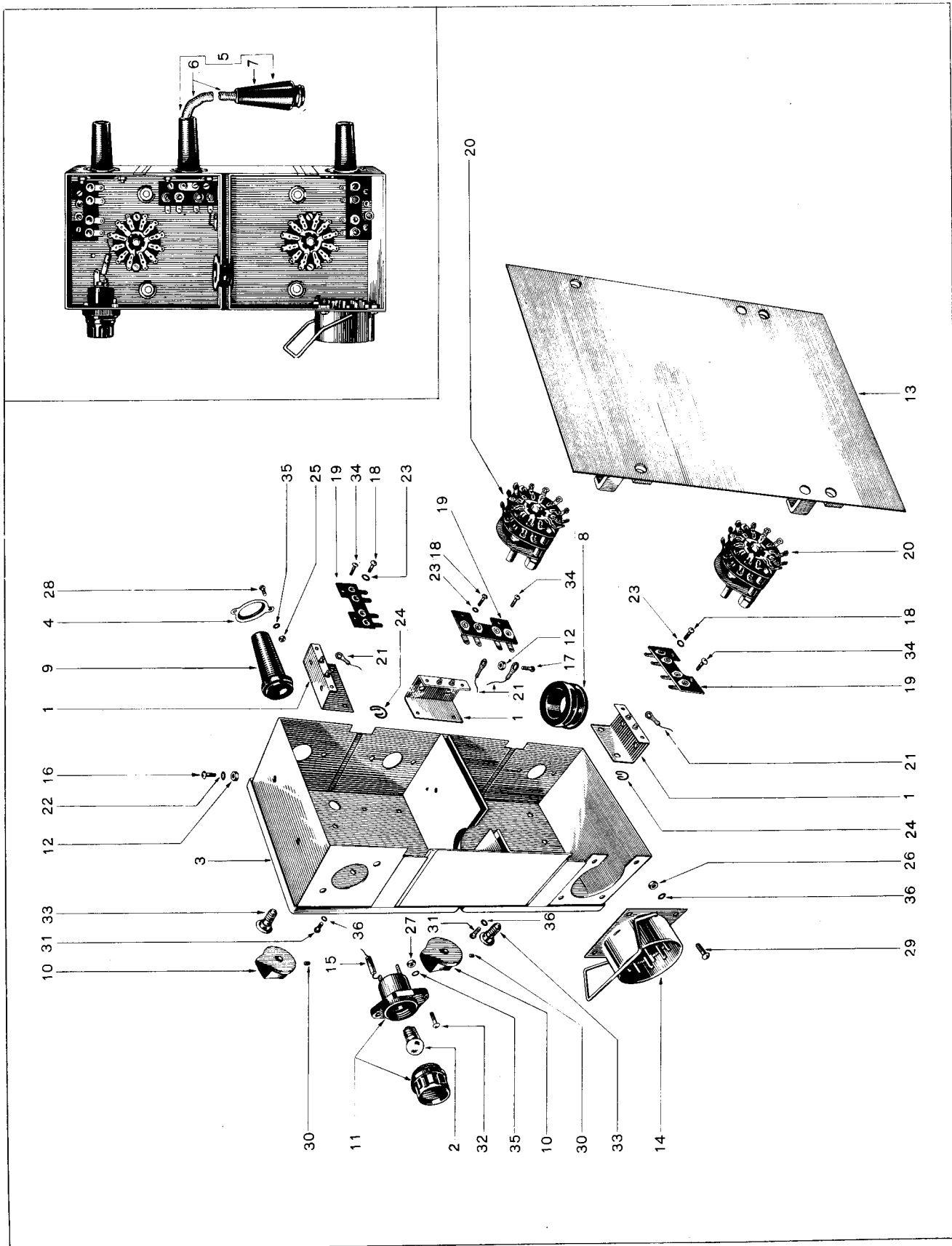
CONTROL UNITS, NO. 1, MK II

Det. No.	DESIGNATION	No. per Illus.	V. A. O. S.		Manufacturers Number	Cir. Ref.	Repair Schedule			
			Sect.	Number			Unit	Echelon		
								1st	2nd	4th
	● CONTROL UNITS, NO. 1, MK II		Z1	ZA/CAN/BR 10243	PC 75524C		X	R	R	
1	BRACKETS, Supporting, No. 2.....	2	Z1	ZA 14697	PC 76359					R
2	BRACKETS, Supporting, No. 3.....	1	Z1	ZA 14698	PC 45951C					R
3	● CASES, Metal, No. 25.....	1	Z1	ZA 10415	PC 45846C/E		EX	R	R	R
4	● CLAMPS, Retaining, No. 4.....	2	Z1	ZA 14720	PC 45939		X	X	R	R
5	● CONNECTORS, Flexible, 5-Point, No. 2.....	2	Z1	ZA/CAN/BR 10339	PC 76340C		X	R	R	R
6	● CORDS, 5-Core, No. 1.....	2	Y1	YA 4867	PC 60105		X	R	R	R
7	● SOCKETS, 5-Point, No. 5.....(See Index)	2	Z1	ZA 2994	RCA 118392-1		X	X	R	R
8	● FUSES, Cartridge, No. 1, 250-mA.....	1	Z1	ZA 3579	PC 90267C		X	X	X	X
9	● FUSE CARTRIDGE HOLDERS, No. 8.....	1	Z1	ZA 14771	PC 70908C		X	X	R	R
10	● GROMMETS, Blind, No. 1.....	2	Z1	ZA 14721	PC 90764		X	R	R	R
11	● GROMMETS, Sleeve, No. 2	2	Z1	ZA 14723	PC 90688		X	R	R	R
	● PROTECTORS, Cable, 1.11/16-in. long AND	2	Z1	ZA/CAN 0780	PC 65135C		X	R	R	R
	● WASHERS, Steel, Extruded, 13/16-in. OD,									
	13/32-in. ID, 0.1-in. deep.....	2	Z2	ZB/CAN 0779	PC 65135C-191		X	X	R	R
12	● HANDLES, No. 37.....	1	Z1	ZA 12585	PC 55437C		R	R	R	R
13	LUGS, Ross-Courtney Type WE 503.....	4	W2	WB/CAN 0740	PC 90791C					
14	NUTS, ANC, Steel, Hex, 4-40.....	2	Z2	ZB/CAN 3233	R 15075-4					
15	● PLATES, Cover, No. 3.....	1	Z1	ZA 14725	PC 76329C		X	R	R	R
16	● PLUGS, 12-Point, No. 1.....(See Index)	1	Z1	ZA/CAN/BR 2816	PC 75423C		R	R	R	R
17	SCREWS, ANC, Steel, RH, 4-40 x 1/4-in.....	2	Z2	ZB/CAN 2991	PC 30144C					
18	SCREWS, BA, Brass, Ch H, No. 4 x 1/2-in.....	4	Z2	ZB/CAN 2818	R 11706-6		X	X	R	R
19	● SCREWS, BA, Brass, RH, No. 6 x 3/8-in.....	10	Z2	ZB/CAN 2552	PC 76360C		X	R	R	R
20	● STRIPS, Tag, 4-Way, No. 4.....	2	Z1	ZA 14736	PC 76974C		X	R	R	R
21	● STRIPS, Tag, 4-Way, No. 5.....	1	Z1	ZA 14737						
22	● SWITCHES, Rotary Disc, 3-Pole, 3-Position,									
	2-Bank, No. 3.....	1	Z1	ZA 2827	PC 83212C	SLA	EX	R	R	X
23	TAGS, Shakeproof No. 2103-6.....	4	Z1	ZA/CAN 0078	K 30042-1					
24	● WASHERS, Brass, 9/32-in. OD, 1/8-in. ID,									
	.032-in. thick.....	10	Z2	ZB/CAN 0511	RCA 102548-10		X	X	R	X
25	● WASHERS, Shakeproof No. 1204.....	12	Z2	ZB/CAN 0344	[RCA 59049-18 R 15019-4		X	X	R	X
	MOUNTING HARDWARE									
26	● CIRCLIPS, No. 2.....		Z1	ZA 14719	PC 71519		X	X	R	R
27	NUTS, ANC, Steel, Hex, 4-40.....		Z2	ZB/CAN 3233	R 15075-4					
28	NUTS, ANC, Steel, Hex, 6-32.....		Z2	ZB/CAN 3234	R 15075-6					
29	SCREWS, ANC, Steel, RH, 4-40 x 1/4-in.....		Z2	ZB/CAN 2991	R 15126-4					
30	SCREWS, ANC, Steel, RH, 6-32 x 3/8-in.....		Z2	ZB/CAN 3020	R 15104-6					
31	● SCREWS, BA, Steel, Grub, No. 4 x 1/4-in....		Z2	ZB/CAN 0366	PC 30031C		X	X	R	R
32	● SCREWS, BA, Steel, RH, No. 4 x 1/4-in.....		Z2	ZB/CAN 2937	R 11701-4		X	X	R	R
33	● SCREWS, Captive, No. 7.....		Z1	ZA 14729	PC 32104C		X	X	R	R
34	● SCREWS, Thread-Cutting, RH, 4-40 x 1/4-in..		Z2	ZB/CAN 3377			X	X	R	X
35	● WASHERS, Shakeproof No. 1204.....		Z2	ZB/CAN 0344	[RCA 59049-18 R 15019-4		X	X	R	X
36	● WASHERS, Shakeproof No. 1206.....		Z2	ZB/CAN 0345	[RCA 59049-19 R 15019-6		X	X	R	X
	★ A later modification supersedes Screws, Captive, No. 7 using the following assembly									
	BUSHES, Rubber, 3/4-in. Dia. x 5/16-in. Bore, No. 2.....		Z1	ZA 10679	PC 57332C					
	SCREWS, Captive, 1-1/4-in. lg, 1/4-20 Thd, No. C1.....		Z1	ZA/CAN 5342	PC 34424C					
	WASHERS, Steel, 3/4-in. OD, 21/64-in. ID, .050-in. Thick.....		Z2	ZB/CAN 1379	PC 40299C					
	● These items only are carried in Ordnance as Spares. Full designation and V.A.O.S. number MUST be quoted on indents.									



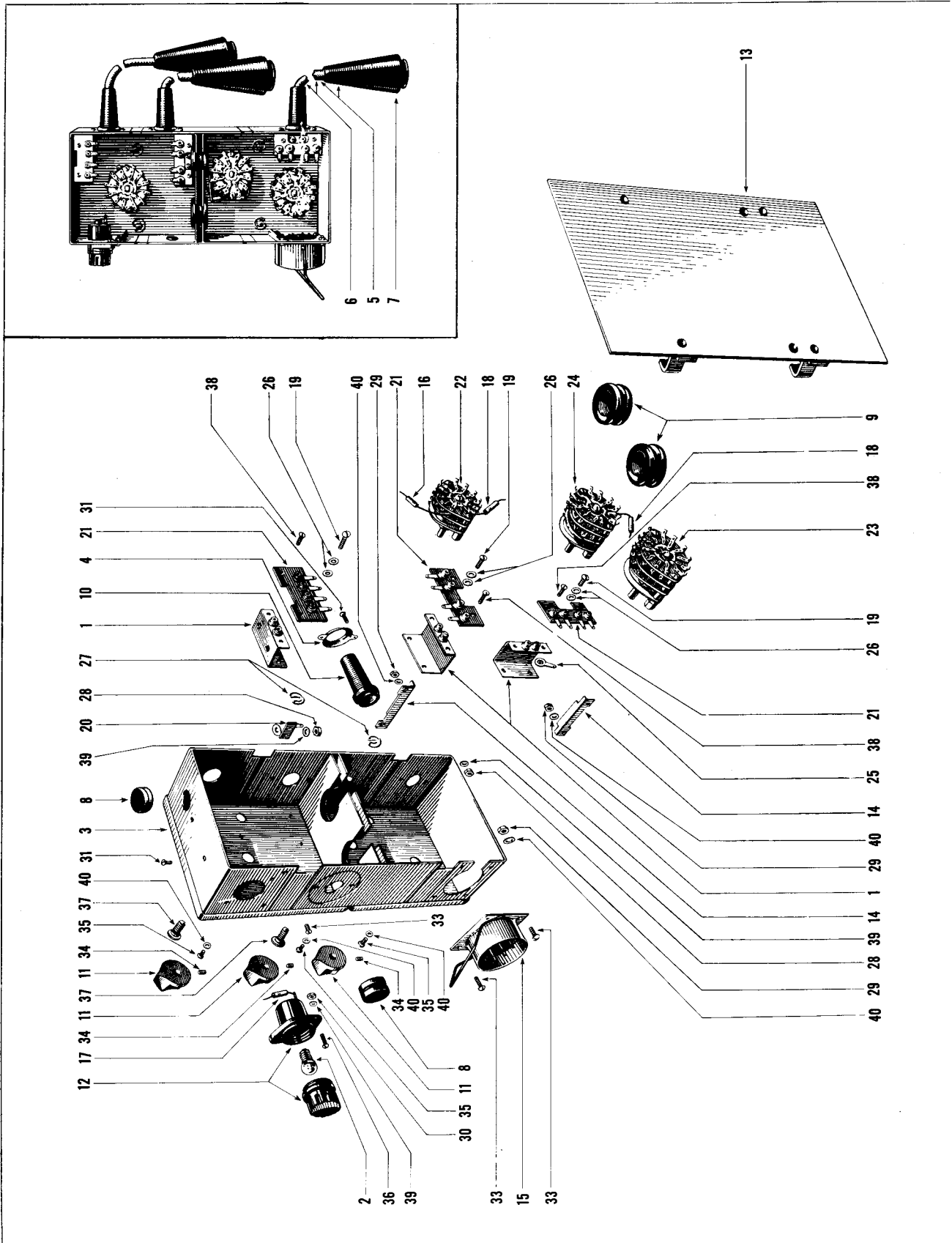
CONTROL UNITS, NO. 2, MK II

Det. No.	DESIGNATION	No. per Illus.	V. A. O. S.		Manufacturers Number	Cir. Ref.	Repair Schedule			
			Sect.	Number			Unit	Echelon		
								1st	2nd	4th
	CONTROL UNITS, NO. 2, MK II		Z1	ZA/CAN/BR 10358	PC 75732C					
1	BRACKETS, Supporting, No. 2.....	1	Z1	ZA 14697	PC 76359					R
2	● BULBS, 12-Volt, Miniature, 0.2-Amps.....	1	W2	WB/CAN 0093	PC 90615C	X	X	X	X	R
3	● CASES, Metal, No. 9.....	1	Z1	ZA 14703	PC 45846C/R		EX	X	X	R
4	● CLAMPS, Retaining, No. 4.....	1	Z1	ZA 14720	PC 45939		X	X	X	R
5	● CONNECTORS, Flexible, 5-Point, No. 2.....	1	Z1	ZA/CAN/BR 10339	PC 76340C		R	R	R	R
6	● CORDS, 5-Core, No. 1.....	1	Y1	YA 4867	PC 60105		X	R	R	R
7	● SOCKETS, 5-Point, No. 5 (See Index).....	1	Z1	ZA 2994	RCA 118392-1		X	R	R	R
8	● GROMMETS, Sleeve, No. 2 OR ● PROTECTORS, Cable, 1.11/16-in. long AND ● WASHERS, Steel, Extruded, 13/16-in. OD, 13/32-in. ID, 0.1-in. deep.....	1	Z1	ZA 14723	PC 90688		X	R	R	R
		1	Z1	ZA/CAN 0780	PC 65135C		X	R	R	R
9	● HANDLES, No. 37.....	1	Z2	ZB/CAN 0779	PC 65135C-191		X	X	R	R
10	● HOLDERS, Lamp, No. 1 (See Index).....	2	Z1	ZA 12585	PC 55437C		R	R	R	R
11	● PLATES, Cover, No. 3.....	1	Z1	ZA 4201	PC 90614-1		R	R	R	R
12	● PLATES, Guide, No. 1.....	1	Z1	ZA 14725	PC 76329C		X	X	R	R
13	● PLUGS, 12-Point, No. 1 (See Index).....	2	Z1	ZA 14727	PC 47557C					R
14	● RESISTORS, Metallized, 1/4-Watt, 10,000-Ohms, 10%.....	2	Z1	ZA/CAN/BR 2816	PC 75423C		R	R	R	R
15	● RESISTORS, Wirewound, 1/2-Watt, 20-Ohms, 10%.	1	Z1	ZA/RC 10AE103K	[PC 72648C K 5988-73B PC 90460C K 5975-37B PC 72657C K 5975-20B R 11706-6 PC 76360C	B 40 B				X
16	● RESISTORS, Wirewound, 1/2-Watt, 100-Ohms, 10%	1	Z1	ZA/CAN 0095			X	X	R	R
17	● SCREWS, BA, Brass, RH, No. 6 x 3/8-in.....	2	Z1	ZA/CAN 0320			X	X	R	R
18	● STRIPS, Tag, 4-Way, No. 4.....	5	Z2	ZB/CAN 2552	R 11706-6		X	X	R	R
19	● SWITCHES, Rotary Disc, 3-Pole, 3-Position, 3-Bank, No. 1.....	1	Z1	ZA 14736	PC 76360C		X	R	R	R
20	● SWITCHES, Rotary Disc, 4-Pole, 2-Position, 3-Bank, No. 1.....	1	Z1	ZA 2828	PC 83217C	8 13 A		EX	R	R
21	TAGS, Shakeproof No. 2103-5.....	1	Z1	ZA 14080	PC 83249C	S 14 A		EX	R	R
22	● WASHERS, Brass, 9/32-in. OD, 1/8-in. ID, .032-in. thick.....	1	Z1	ZA/CAN 0078	K 30042-1					X
23	● WASHERS, Shakeproof No. 1204.....	5	Z2	ZB/CAN 0511	RCA 102548-10		X	X	R	X
		5	Z2	ZB/CAN 0344	[RCA 59049-18 R 15019-4		X	X	X	X
	MOUNTING HARDWARE									
24	● CIRCLIPS, No. 2.....		Z1	ZA 14719	PC 71519		X	X	R	R
25	NUTS, ANC, Steel, Hex, 4-40.....		Z2	ZB/CAN 3233	R 15075-4					R
26	NUTS, ANC, Steel, Hex, 6-32.....		Z2	ZB/CAN 3234	R 15075-6					R
27	NUTS, BA, Steel, Hex, No. 6.....		Z2	ZB/CAN 3218						R
28	SCREWS, ANC, Steel, RH, 4-40 x 1/4-in.....		Z2	ZB/CAN 2991	R 15126-4					R
29	SCREWS, ANC, Steel, RH, 6-32 x 3/8-in.....		Z2	ZB/CAN 3020	R 15104-6					R
30	● SCREWS, BA, Steel, Grub, No. 4 x 1/4-in.....		Z2	ZB/CAN 0366	PC 30031C		X	X	R	R
31	● SCREWS, BA, Steel, RH, No. 4 x 1/4-in.....		Z2	ZB/CAN 2937	R 11701-4		X	X	R	R
32	● SCREWS, BA, Steel, RH, No. 6 x 1/2-in.....		Z2	ZB/CAN 2954	R 11702-8		X	X	R	R
33	● SCREWS, Captive, No. 7.....		Z1	ZA 14729	PC 32104C		X	X	R	R
34	SCREWS, Thread-Cutting, RH, 4-40 x 1/4-in.....		Z2	ZB/CAN 3377						R
35	● WASHERS, Shakeproof No. 1204.....		Z2	ZB/CAN 0344	[RCA 59049-18 R 15019-4 RCA 59049-19 R 15019-6		X	X	X	X
36	● WASHERS, Shakeproof No. 1206.....		Z2	ZB/CAN 0345			X	X	X	X
	★ A later modification supersedes Screws, Captive, No. 7 using the following assembly									
	BUSHES, Rubber, 3/4-in. Dia. x 5/16-in. Bore, No. 2.....		Z1	ZA 10679	PC 57332 C					
	SCREWS, Captive, 1.1/4-in. long, 1/4-20 Thd, No. C1.....		Z1	ZA/CAN 5342	PC 34424 C					
	WASHERS, Steel, 3/4-in. OD, 21/64-in. ID, .050-in. thick.....		Z2	ZB/CAN 1379	PC 40299 C					
	● These items only are carried in Ordnance as Spares. Full designation and V.A.O.S. number MUST be quoted on indents.									



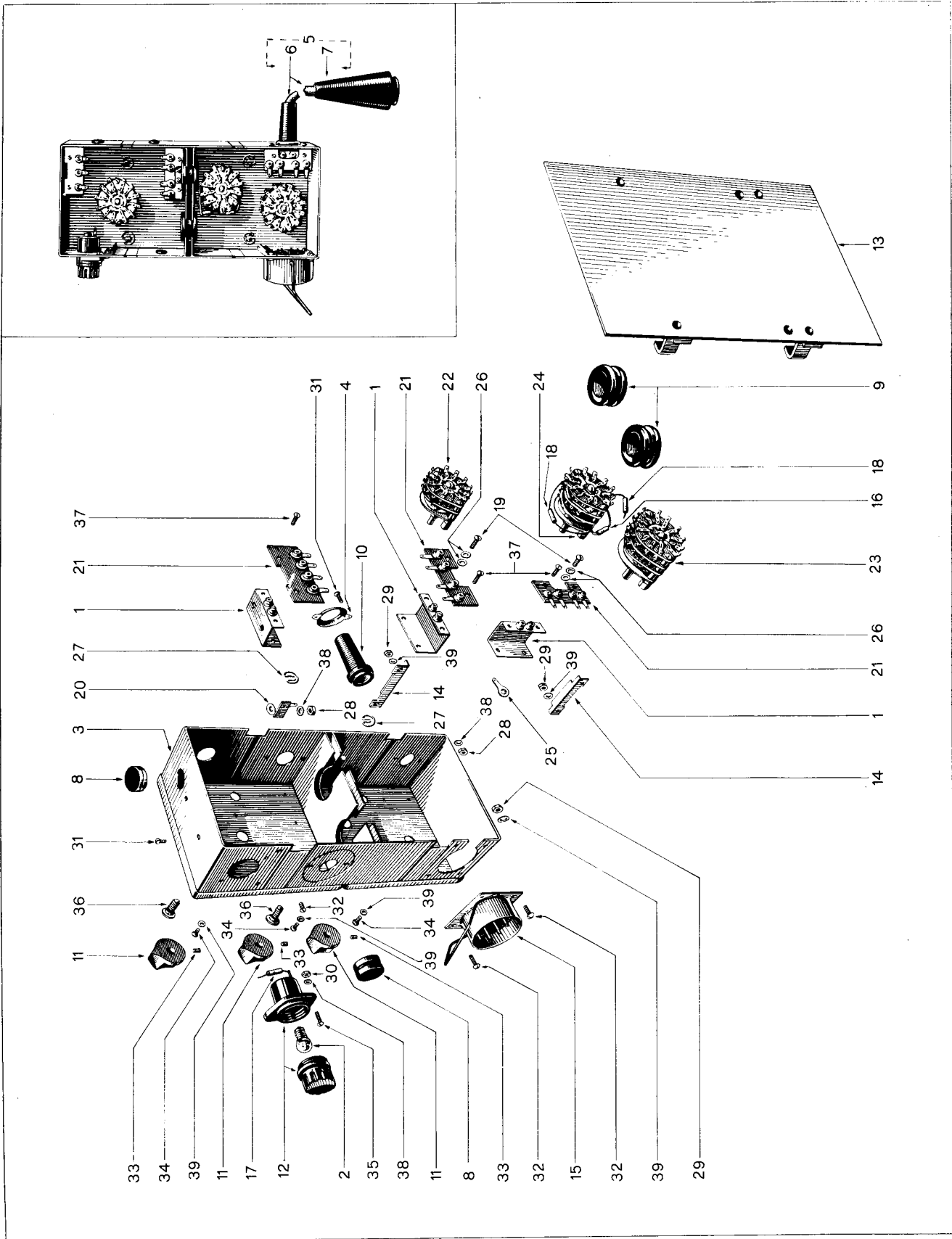
CONTROL UNITS. NO. 3A. MK I

Det. No.	DESIGNATION	No. per Illus.	V. A. O. S.		Manufacturers Number	Cir. Ref.	Repair Schedule			
			Sect.	Number			Unit	Echelon		
								1st	2nd	4th
	● CONTROL UNITS, NO. 3A, MK I		Z1	ZA/CAN/BR 10267	PC 75520 C		X	R	R	
1	BRACKETS, Supporting, No. 2.....	3	Z1	ZA 14697	P: 76359					R
2	● BULBS, 12-V, Miniature, 0.2-Amp.....	1	W2	WB/CAN 0093	PC 90615 C	X	X	X		R
3	CASES, Metal, No. 12.....	1	Z1	ZA 14706	PC 82547 C					R
4	CLAMPS, Retaining, No. 4.....	3	Z1	ZA 14720	PC 45939					R
5	CONNECTORS, Flexible, 5-Point, No. 2.....	3	Z1	ZA/CAN/BR 10339	PC 76340 C					R
6	CORDS, 5-Core, No. 1.....	3	Y1	YA 4867	PC 60105					R
7	SOCKETS, 5-Point, No. 5 (See Index).....	3	Z1	ZA 2994	RCA 118392-1					R
8	GROMMETS, Rubber, 3/4-in. ID, 1-in. x 19/64-in. Panel.....	1	Z1	ZA/CAN 0738	RCA 109927-1					R
9	● GROMMETS, Sleeve, No. 2 OR	3	Z1	ZA 14723	PC 90688		X		R	R
	● PROTECTORS, Cable, 1.11/16-in. Long AND	3	Z1	ZA/CAN 0780	PC 65135 C		X		R	R
	● WASHERS, Steel, Extruded, 13/16-in. OD, 13/32-in. ID, 0.1-in. Deep.....	3	Z2	ZB/CAN 0779	PC 65135 C-191		X		R	R
10	● HANDLES, No. 37.....	2	Z1	ZA 12585	PC 55437 C		R		R	R
11	● HOLDERS, Lamp, No. 1 (See Index).....	1	Z1	ZA 4201	PC 90614 C		R		R	R
12	NUTS, ANC, Steel, Hex, 4-40.....	3	Z2	ZB/CAN 3233	R 15075-4					R
13	PLATES, Cover, No. 2.....	1	Z1	ZA 14724	PC 76353 C					R
14	● PLUGS, 12-Point, No. 1 (See Index).....	1	Z1	ZA/CAN/BR 2816	PC 75423 C		R		R	R
15	● RESISTORS, Wirewound, 1/2-Watt, 20-Ohms, 10 %	1	Z1	ZA/CAN 0095	PC 90460 C	R 40 C	X		X	R
16	SCREWS, ANC, Steel, RH, 4-40 x 1/4-in.....	2	Z2	ZB/CAN 2991	R 15126-8					R
17	SCREWS, ANC, Steel, RH, 4-40 x 1/2-in.....	1	Z2	ZB/CAN 2995	R 11706-6					R
18	SCREWS, BA, Brass, RH, No. 6 x 3/8-in.....	15	Z2	ZB 10624	PC 76360 C		X		R	R
19	● STRIPS, Tag, 4-Way, No. 4.....	3	Z1	ZA 14736						R
20	● SWITCHES, Rotary Disc, 3-Pole, 3-Position, 2-Bank, No. 3.....	2	Z1	ZA 2827	PC 83212 C	S 1 F	EX		R	R
21	TAGS, Shakeproof No. 2103-6.....	4	Z1	ZA/CAN 0078	K 30042-1					X
22	● WASHERS, Shakeproof No. 1204.....	3	Z2	ZB/CAN 0344	RCA 59049-18 LR 15019-4		X		X	X
23	WASHERS, Brass, 9/32-in. OD, 1/8-in. ID, .032-in. Thick.....	15	Z2	ZB/CAN 0511	RCA 102548-10					R
	MOUNTING HARDWARE									
24	● CIRCLIPS, No. 2.....		Z1	ZA 14719	PC 71519		X		X	R
25	NUTS, ANC, Steel, Hex, 4-40.....		Z2	ZB/CAN 3233	R 15075-4					R
26	NUTS, ANC, Steel, Hex, 6-32.....		Z2	ZB/CAN 3234	R 15075-6					R
27	NUTS, BA, Steel, Hex, No. 6.....		Z2	ZB/CAN 3218						R
28	SCREWS, ANC, Steel, RH, 4-40 x 1/4-in.....		Z2	ZB/CAN 2991	R 15126-4					R
29	SCREWS, ANC, Steel, RH, 6-32 x 3/8-in.....		Z2	ZB/CAN 3020	R 15104-6					R
30	SCREWS, BA, Steel, Grub, No. 4 x 1/4-in.....		Z2	ZB/CAN 0366	PC 30031 C					R
31	SCREWS, BA, Steel, RH, No. 4 x 1/4-in.....		Z2	ZB/CAN 2937	R 11701-4					R
32	SCREWS, BA, Steel, RH, No. 6 x 1/2-in.....		Z2	ZB/CAN 2954	R 11702-8					R
33	● SCREWS, Captive, No. 7.....		Z1	ZA 14729	PC 32104 C		X		X	R
34	SCREWS, Thread-Cutting, RH, 4-40 x 1/4-in.....		Z2	ZB/CAN 3377						X
35	● WASHERS, Shakeproof No. 1204.....		Z2	ZB/CAN 0344	RCA 59049-18 LR 15019-4		X		X	X
36	● WASHERS, Shakeproof No. 1206.....		Z2	ZB/CAN 0345	RCA 59049-19 LR 15019-6		X		X	X
	★ A later modification supersedes Screws, Captive, No. 7 using the following assembly.									
	BUSHES, Rubber, 3/4-in. Dia. x 5/16-in. Bore, No. 2.....		Z1	ZA 10679	PC 57332 C					
	SCREWS, Captive, 1.1/4-in. long, 1/4-20 Thd, No. C1.....		Z1	ZA/CAN 5342	PC 34424 C					
	WASHERS, Steel, 3/4-in. OD, 21/64-in. ID, .050-in. thick.....		Z2	ZB/CAN 1379	PC 40299 C					
	● These items only are carried in Ordnance as Spares. Full designation and V.A.O.S. number MUST be quoted on indents.									



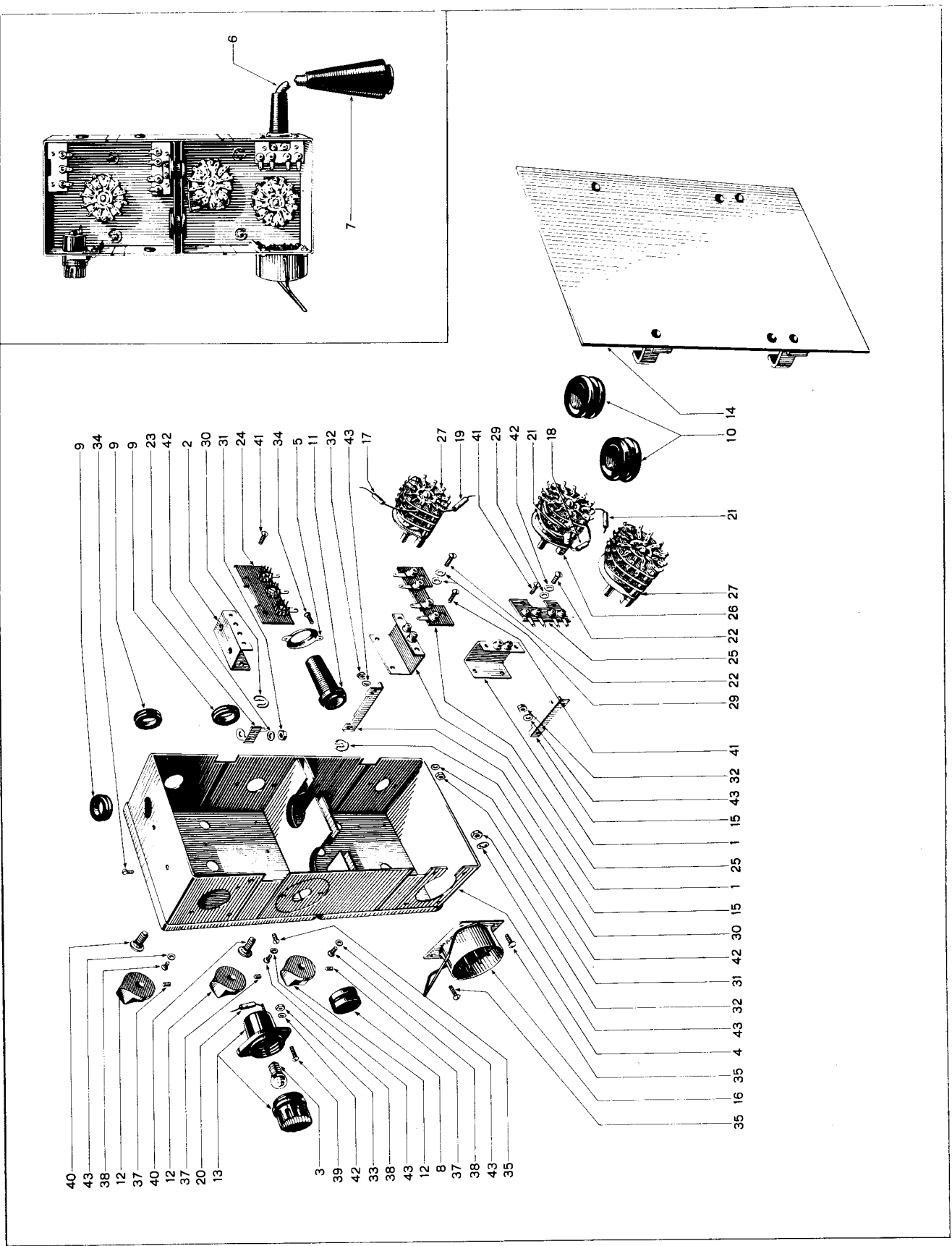
CONTROL UNITS. NO. 3A. MK II

Det. No.	DESIGNATION	No. per Illus.	V. A. O. S.		Manufacturers Number	Cir. Ref.	Repair Schedule			
			Sect.	Number			Unit	Echelon		
								1st	2nd	4th
	● CONTROL UNITS, NO. 3A, MK II		Z1	ZA/CAN/BR 10360	PC 75734 C		X	R	R	
1	BRACKETS, Supporting, No. 2.....	3	Z1	ZA 14697	PC 76359					R
2	BULBS, 12-Volt, Miniature, 0.2-Amp.....	1	W2	WB/CAN 0035	PC 90615 C	P 1	X	X	X	R
3	CASES, Metal, No. 13.....	1	Z1	ZA 14707	PC 82547			X	X	R
4	CLAMPS, Retaining, No. 4.....	3	Z1	ZA 14720	PC 45939		X	X	X	R
5	CONNECTORS, Flexible, 5-Point, No. 2.....	3	Z1	ZA/CAN/BR 10339	PC 76340 C		R	R	R	R
6	CORDS, 5-Core, No. 1.....	3	Y1	YA 4867	PC 60105		X	R	R	R
7	SOCKETS, 5-Point, No. 5 (See Index).....	3	Z1	ZA 2994	RCA 118392-1		X	R	R	R
8	GROMMETS, Blind, No. 1.....	2	Z1	ZA 14721	PC 90764		X	R	R	R
9	GROMMETS, Rubber, 3/4-in. ID, 1-in. x 9/64-in. Panel.....	2	Z1	ZA/CAN 0738	RCA 109927-1					R
10	GROMMETS, Sleeve, No. 2.....	3	Z1	ZA 14723	PC 90688		X	R	R	R
	PROTECTORS, Cable, 1.11/16-in. long AND	3	Z1	ZA/CAN 0780	PC 65135 C		X	R	R	R
	WASHERS, Steel, Extruded, 13/16-in. OD, 13/32-in. ID, 0.1-in. deep.....	3	Z2	ZB/CAN 0779	PC 65135 C-191		X	R	R	R
11	HANDLES, No. 37.....	3	Z1	ZA 12585	PC 55437 C		R	R	R	R
12	HOLDERS, Lamp, No. 1 (See Index).....	1	Z1	ZA 4201	PC 90614 C-1		R	R	R	R
13	PLATES, Cover, No. 2.....	1	Z1	ZA 14724	PC 76353					R
14	PLATES, Guide, No. 1.....	2	Z1	ZA 14727	PC 47557 C					R
15	PLUGS, 12-Point, No. 1 (See Index).....	1	Z1	ZA/CAN/BR 2816	PC 75423 C		R	R	R	R
16	RESISTORS, Metallized, 1/4-Watt, 10,000-Ohms, 10%.....	1	Z1	ZA/RC10AEL03K	[PC 72648 C [K 5988-73B PC 90460 C	R 40 C	X	X	X	R
17	RESISTORS, Wirewound, 1/2-Watt, 20-Ohms, 10%.....	1	Z1	ZA/CAN 0095	PC 72657 C		X	X	X	R
18	RESISTORS, Wirewound, 1/2-Watt, 100-Ohms, 10%.....	2	Z1	ZA/CAN 0320	[K 5975-20B R 11706-6		X	X	X	R
19	SCREWS, BA, Brass, RH, No. 6 x 3/8-in.....	15	Z2	ZB/CAN 2552	RCA 109991-1		X	R	R	R
20	STRIPS, Tag, 1-Way, 3/4-in. Long, No. C2.....	1	Z1	ZA/CAN 0056	PC 76360 C		X	R	R	R
21	STRIPS, Tag, 4-Way, No. 4.....	3	Z1	ZA 14736						R
22	SWITCHES, Rotary Disc, 3-Pole, 3-Position, 2-Bank, No. 3.....	1	Z1	ZA 2827	PC 83212 C	S 1 F		EX	R	R
23	SWITCHES, Rotary Disc, 3-Pole, 3-Position, 3-Bank, No. 1.....	1	Z1	ZA 2828	PC 83217 C	S 13 A		EX	R	R
24	SWITCHES, Rotary Disc, 4-Pole, 2-Position, 3-Bank, No. 1.....	1	Z1	ZA 14080	PC 83249 C	S 14 A		EX	R	R
25	TAGS, Shakeproof No. 2103-6.....	3	Z1	ZA/CAN 0078	K 30042-1					X
26	WASHERS, Brass, 9/32-in. OD, 1/8-in. ID, .032-in. thick.....	15	Z2	ZB/CAN 0511	RCA 102548-10		X	X	X	R
	MOUNTING HARDWARE									
27	CIRCLIPS, No. 2.....		Z1	ZA 14719	PC 71519		X	X	X	R
28	NUTS, ANC, Steel, Hex, 4-40.....		Z2	ZB/CAN 3233	R 15075-4					R
29	NUTS, ANC, Steel, Hex, 6-32.....		Z2	ZB/CAN 3234	R 15075-6					R
30	NUTS, BA, Steel, Hex, No. 6.....		Z2	ZB/CAN 3218						R
31	SCREWS, ANC, Steel, RH, 4-40 x 1/4-in.....		Z2	ZB/CAN 2991	R 15126-4					R
32	SCREWS, ANC, Steel, RH, 4-40 x 3/8-in.....		Z2	ZB/CAN 2993	R 15126-6					R
33	SCREWS, ANC, Steel, RH, 6-32 x 3/8-in.....		Z2	ZB/CAN 3020	R 15104-6					R
34	SCREWS, BA, Steel, Grub, No. 4 x 1/4-in.....		Z2	ZB/CAN 0366	PC 30031 C		X	X	X	R
35	SCREWS, BA, Steel, RH, No. 4 x 1/4-in.....		Z2	ZB/CAN 2937	R 11701-4		X	X	X	R
36	SCREWS, BA, Steel, RH, No. 6 x 1/2-in.....		Z2	ZB/CAN 2954	R 11702-8		X	X	X	R
37	SCREWS, Captive, No. 7.....		Z1	ZA 14729	PC 32104 C		X	X	X	R
38	SCREWS, Thread-Cutting, RH, 4-40 x 1/4-in.....		Z2	ZB/CAN 3377						R
39	WASHERS, Shakeproof No. 1204.....		Z2	ZB/CAN 0344	[RCA 59049-18 R 15019-4		X	X	X	R
40	WASHERS, Shakeproof No. 1206.....		Z2	ZB/CAN 0345	[RCA 59049-19 R 15019-6		X	X	X	R
	★ A later modification supersedes Screws, Captive, No. 7 using the following assembly									
	BUSHES, Rubber, 3/4-in. Dia. x 5/16-in. Bore, No. 2.....	1	Z1	ZA 10679	PC 57332 C					
	SCREWS, Captive, 1.1/4-in. long, 1/4-20 Thd, No. C1.....	1	Z1	ZA/CAN 5342	PC 34424 C					
	WASHERS, Steel, 3/4-in. OD, 21/64-in. ID, .050-in. thick.....	1	Z2	ZB/CAN 1379	PC 40299 C					
	● These items only are carried in Ordnance as Spares. Full designation and V.A.O.S. number MUST be quoted on indents.									



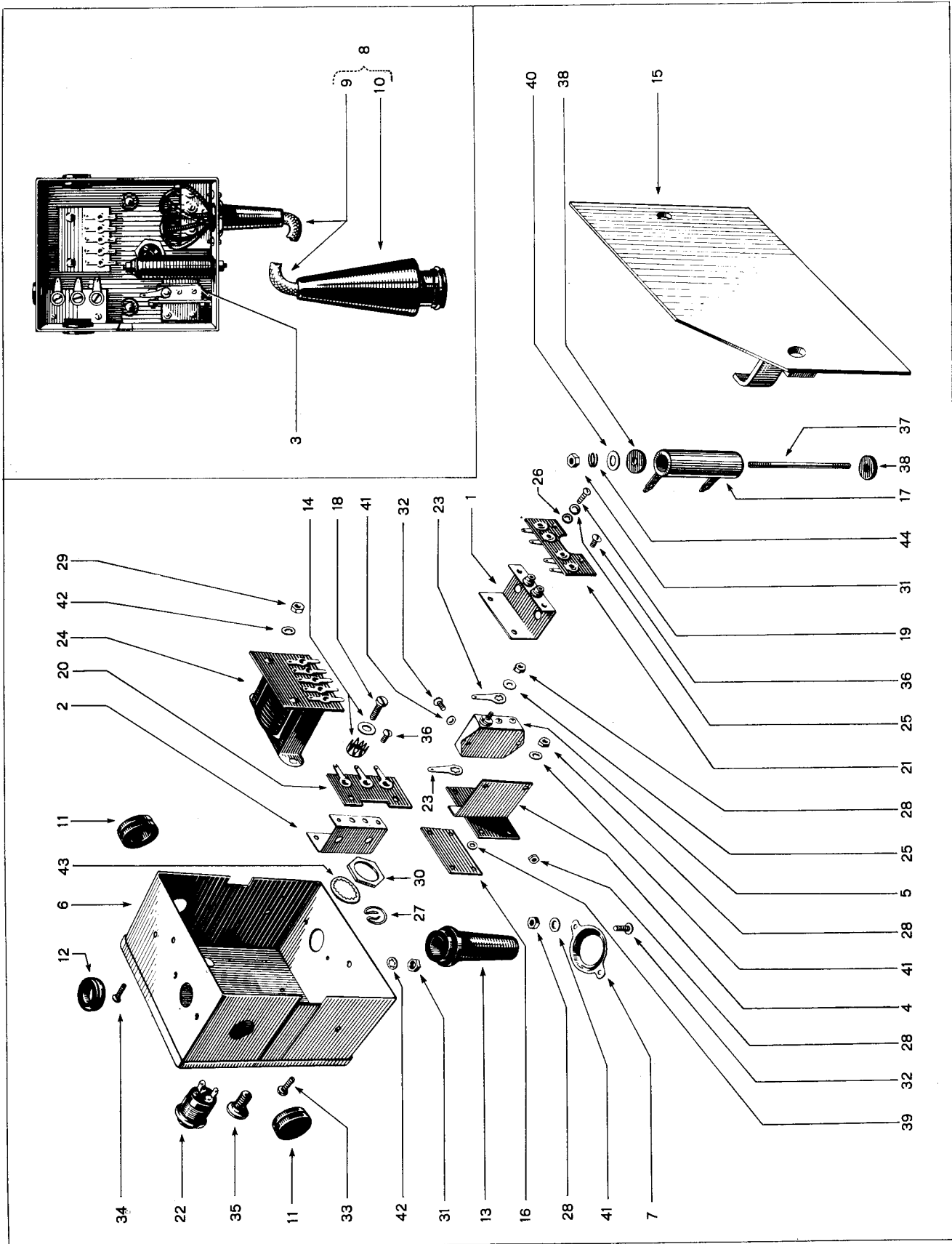
CONTROL UNITS. NO. 3B. MK II

Det. No.	DESIGNATION	No. per Illus.	V. A. O. S.		Manufacturers Number	Cir. Ref.	Repair Schedule			
			Sect.	Number			Unit	Echelon		
								1st	2nd	4th
	● CONTROL UNITS, NO. 3B, MK II		Z1	ZA/CAN/BR 10361	PC 75735 C		X	R	R	
1	BRACKETS, Supporting, No. 2.....	3	Z1	ZA 14697	PC 76359					R
2	● BULBS, 12-Volt, Miniature, 0.2-Amp.....	1	W2	WB/CAN 0093	PC 90615 C		X	X	X	R
3	CASES, Metal, No. 15.....	1	Z1	ZA 14709	PC 82548					R
4	● CLAMPS, Retaining, No. 4.....	3	Z1	ZA 14720	PC 45939		R	R	R	R
5	CONNECTORS, Flexible, 5-Point, No. 2.....	3	Z1	ZA/CAN/BR 10339	PC 76340 C					R
6	CORDS, 5-Core, No. 1.....	3	Y1	YA 4867	PC 60105					R
7	SOCKETS, 5-Point, No. 5 (See Index).....	3	Z1	ZA 2994	RCA 118392-1					R
8	● GROMMETS, Blind, No. 1.....	2	Z1	ZA 14721	PC 90764		X	X	X	R
9	GROMMETS, Rubber, 3/4-in. ID, 1-in. x 9/16-in. Panel.....	2	Z1	ZA/CAN 0738	RCA 109927-1					X
10	● GROMMETS, Sleeve, No. 2.....OR.....	3	Z1	ZA 14723	PC 90688		X	X	X	R
	● PROTECTORS, Cable, 1.11/16-in. long...AND....	3	Z1	ZA/CAN 0780	PC 65135 C		X	X	X	R
	● WASHERS, Steel, Extruded, 13/16-in. OD, 13/32-in. ID, 0.1-in. deep.....	3	Z2	ZB/CAN 0779	PC 65135 C-191		X	X	X	R
11	● HANDLES, No. 37.....	3	Z1	ZA 12585	PC 55437 C		R	R	R	R
12	● HOLDERS, Lamp, No. 1 (See Index).....	1	Z1	ZA 4201	PC 90614 C-1		R	R	R	R
13	PLATES, Cover, No. 2.....	1	Z1	ZA 14724	PC 76353					R
14	PLATES, Guide, No. 1.....	2	Z1	ZA 14727	PC 47557 C					R
15	● PLUGS, 12-Point, No. 1 (See Index).....	1	Z1	ZA/CAN/BR 2816	PC 75423 C		R	R	R	R
16	● RESISTORS, Metallized, 1/4-Watt, 10,000-Ohms, 10%.....	1	Z1	ZA/RC10AEL03K	PC 72648 C	R 42	X	X	X	R
17	● RESISTORS, Wirewound, 1/2-Watt, 20-Ohms, 10%.....	1	Z1	ZA/CAN 0095	PC 90460 C	R 40	X	X	X	R
18	● RESISTORS, Wirewound, 1/2-Watt, 100-Ohms, 10%.....	2	Z1	ZA/CAN 0320	PC 72657 C	R 20	X	X	X	R
19	SCREWS, BA, Brass, RH, No. 6 x 3/8-in.....	15	Z2	ZB/CAN 2552	R 11706-6		X	X	X	R
20	STRIPS, Tag, 1-Way, 3/4-in. long, No. C2.....	1	Z1	ZA/CAN 0056	RCA 109991-1					R
21	STRIPS, Tag, 4-Way, No. 4.....	3	Z1	ZA 14736	PC 76360 C					R
22	● SWITCHES, Rotary Disc, 3-Pole, 3-Position, 2-Bank, No. 3.....	1	Z1	ZA 2827	PC 83212 C	S1F				R
23	● SWITCHES, Rotary Disc, 3-Pole, 3-Position, 3-Bank, No. 1.....	1	Z1	ZA 2828	PC 83217 C	S 13 A				R
24	● SWITCHES, Rotary Disc, 4-Pole, 2-Position, 3-Bank, No. 1.....	1	Z1	ZA 14080	PC 83249 C	S 14 A				R
25	TAGS, Shakeproof No. 2103-6.....	3	Z1	ZA/CAN 0078	K 30042-1					R
26	WASHERS, Brass, 9/32-in. OD, 1/8-in. ID, .032-in. thick.....	27	Z2	ZB/CAN 0511	RCA 102548-10					R
	MOUNTING HARDWARE									
27	● CIRCLIPS, No. 2.....		Z1	ZA 14719	PC 71519		X	X	X	R
28	NUTS, ANC, Steel, Hex, 4-40.....		Z2	ZB/CAN 3233	R 15075-4					R
29	NUTS, ANC, Steel, Hex, 6-32.....		Z2	ZB/CAN 3234	R 15075-6					R
30	NUTS, BA, Steel, Hex, No. 6.....		Z2	ZB/CAN 3218						R
31	SCREWS, ANC, Steel, RH, 4-40 x 1/4-in.....		Z2	ZB/CAN 2991	R 15162-4					R
32	SCREWS, ANC, Steel, RH, 6-32 x 3/8-in.....		Z2	ZB/CAN 3020	R 15104-6					R
33	● SCREWS, BA, Steel, Grub, No. 4 x 1/4-in.....		Z2	ZB/CAN 0366	PC 30031 C		X	X	X	R
34	● SCREWS, BA, Steel, RH, No. 4 x 1/4-in.....		Z2	ZB/CAN 2937	R 11701-4		X	X	X	R
35	● SCREWS, BA, Steel, RH, No. 6 x 1/2-in.....		Z2	ZB/CAN 2954	R 11702-8		X	X	X	R
36	● SCREWS, Captive, No. 7.....		Z1	ZA 14729	PC 32104 C		X	X	X	R
37	SCREWS, Thread-Cutting, RH, 4-40 x 1/4-in....		Z2	ZB/CAN 3377						R
38	● WASHERS, Shakeproof No. 1204.....		Z2	ZB/CAN 0344	RCA 59049-18 R 15019-4		X	X	X	R
39	● WASHERS, Shakeproof No. 1206.....		Z2	ZB/CAN 0345	RCA 59049-19 R 15019-6		X	X	X	R
	★ A later modification supersedes Screws, Captive, No. 7 using the following assembly									
	BUSHES, Rubber, 3/4-in. Dia. x 5/16-in. Bore, No. 2.....	1	Z1	ZA 10679	PC 57332 C					
	SCREWS, Captive, 1.1/4-in. lg, 1/4-20 Thd, No. C1.....	1	Z1	ZA/CAN 5342	PC 34424 C					
	WASHERS, Steel, 3/4-in. OD, 21/64-in. ID, .050-in. thick.....	1	Z2	ZB/CAN 1379	PC 40299 C					
	● These items only are carried in Ordnance as Spares. Full designation and V.A.O.S. number MUST be quoted on indents.									



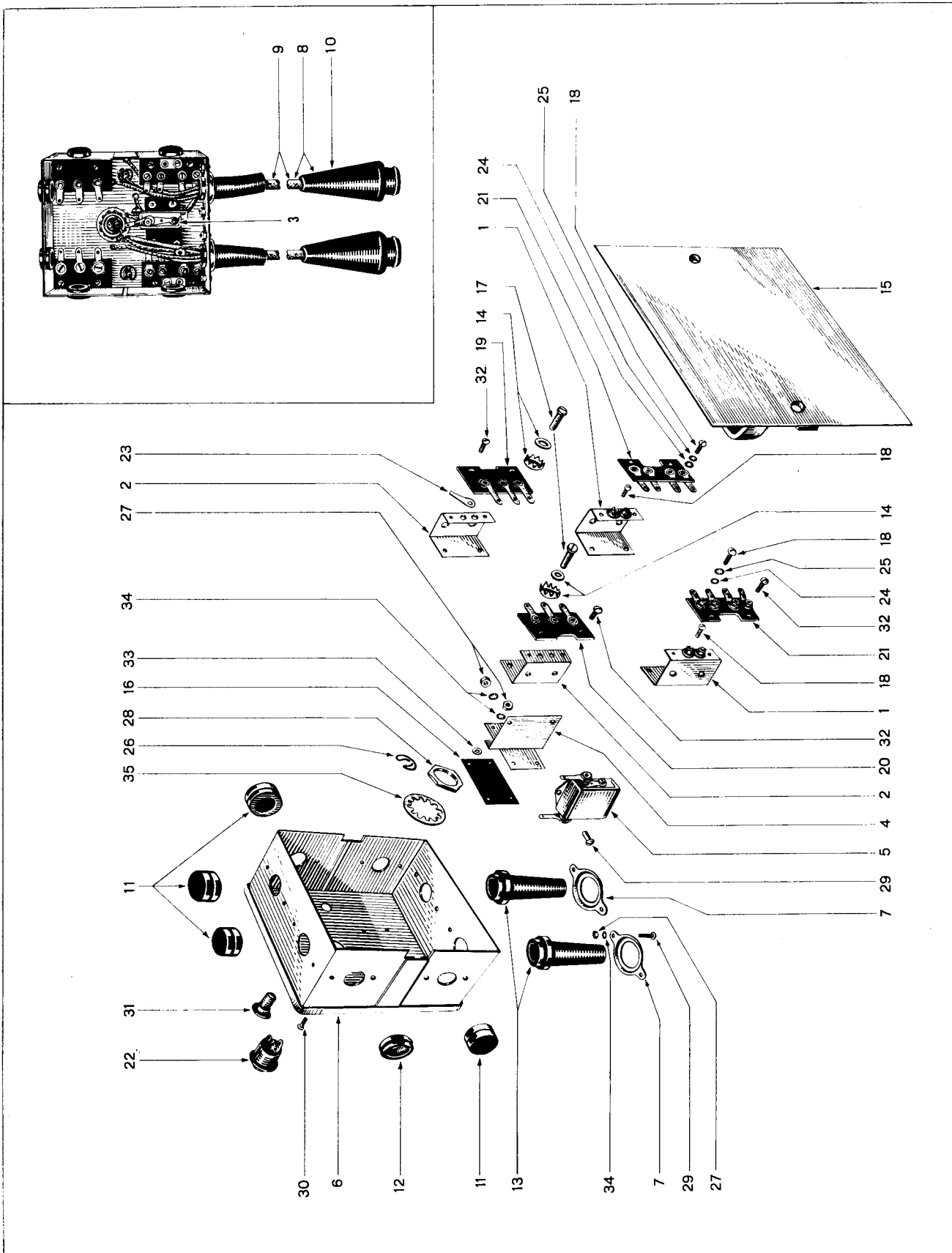
CONTROL UNITS. NO. 190. MK II

Det. No.	DESIGNATION	No. per Illus.	V. A. O. S.		Manufacturers Number	Cir. Ref.	Repair Schedule			
			Sect.	Number			Unit	Echelon		
								1st	2nd	4th
	● CONTROL UNITS, NO. 190, MK II		Z1	ZA/CAN 0813	PC 75733 C-190		X	R	R	
1	BRACKETS, Supporting, No. 2.....	2	Z1	ZA 14697	PC 76359					R
2	BRACKETS, Supporting, No. 3.....	1	Z1	ZA 14698	PC 45931					R
3	BULBS, 12-Volt, Miniature, 0.2-Amp.....	1	W2	WB/CAN 0093	PC 90615 C	X	X	X	X	R
4	CASES, Metal, No. C2.....	1	Z1	ZA/CAN 0814	RCA 107602-501					R
5	CLAMPS, Retaining, No. 4.....	1	Z1	ZA 14720	PC 45939		X	X	X	R
6	CONNECTORS, Flexible, 5-Point, No. 2.....	1	Z1	ZA/CAN/BR 10339	PC 76340 C		R	R	R	R
7	CORDS, 5-Core, No. 1.....	1	Y1	YA 4867	PC 60105		X	R	R	R
8	SOCKETS, 5-Point, No. 5.....(See Index)	1	Z1	ZA 2994	RCA 118392-1					R
9	GROMMETS, Blind, No. 1.....	1	Z1	ZA 14721	PC 90464		X	R	R	R
10	GROMMETS, Rubber, 7/16-in. ID, 5/8-in. x 1/16-in. Panel.....	3	Z1	ZA/CAN 0815	PC 71608					R
11	GROMMETS, Rubber, 3/4-in. ID, 1-in. x 9/64-in. Panel.....	2	Z1	ZA/CAN 0738	RCA 109927-1					R
	GROMMETS, Sleeve, No. 2 OR	1	Z1	ZA 14723	PC 90688		X	R	R	R
	PROTECTORS, Cable, 1.11/16-in. long.....	1	Z1	ZA/CAN 0780	PC 65135 C		X	R	R	R
	WASHERS, Steel, Extruded, 13/16-in. OD, 13/32-in. ID, 0.1-in. deep.....	1	Z2	ZB/CAN 0779	PC 65135 C-191		X	R	R	R
12	HANDLES, No. 37.....	3	Z1	ZA 12585	PC 55437 C		R	R	R	R
13	HOLDERS, Lamp, No. 1.....(See Index)	1	Z1	ZA 4201	PC 90614 C-1		R	R	R	R
14	PLATES, Cover, No. 2.....	1	Z1	ZA 14724	PC 76353					R
15	PLATES, Guide, No. 1.....	2	Z1	ZA 14727	PC 47557 C					R
16	PLUGS, 12-Point, No. 1.....(See Index)	1	Z1	ZA/CAN/BR 2816	PC 75423 C		R	R	R	R
17	RESISTORS, Metallized, 1/4-Watt, 5600-Ohms, 10%.....	1	Z1	ZA/RC 10AE562K	K 5988-79 B					X
18	RESISTORS, Metallized, 1/4-Watt, 10,000-Ohms, 10%.....	1	Z1	ZA/RC 10AE103K	PC 72648 C K 5988-73 B		X	X	X	X
19	RESISTORS, Metallized, 1/2-Watt, 270-Ohms, 10%.....	1	Z1	ZA/RC 21AE271K	K 5974-111 B					X
20	RESISTORS, Wirewound, 1/2-Watt, 20-Ohms, 10%.....	1	Z1	ZA/CAN 0095	PC 90460 C		X	X	R	R
21	RESISTORS, Wirewound, 1/2-Watt, 100-Ohms, 10%.....	2	Z1	ZA/CAN 0320	PC 72657 C K 5975-20 B		X	X	R	R
22	SCREWS, BA, Brass, RH, No. 6 x 3/8-in.....	10	Z2	ZB/CAN 2552	R 11706-6		X	X	R	R
23	STRIPS, Tag, 1-Way, 3/4-in. long, No. C2...	1	Z1	ZA/CAN 0056	RCA 109991-1					R
24	STRIPS, Tag, 3-Way, 1.27/32-in. long.....	1	Z1	ZA/CAN 0817	RCA 113911-501					R
25	STRIPS, Tag, 4-Way, No. 4.....	2	Z1	ZA 14736	PC 76360 C		X	R	R	R
26	SWITCHES, Rotary Disc, 4-Pole, 2-Position, 3-Bank, No. 1.....	1	Z1	ZA 14080	PC 83249 C		EX	R	R	R
27	SWITCHES, Rotary Disc, 3-Pole, 3-Position, 3-Bank, No. 1.....	2	Z1	ZA 2828	PC 83217 C		EX	R	R	R
28	TAGS, Shakeproof No. 2103-6.....	1	Z1	ZA/CAN 0078	K 30042-1					X
29	WASHERS, Brass, 9/32-in. OD, 1/8-in. ID, .032-in. thick.....	10	Z2	ZB/CAN 0511	RCA 102548-10		X	X	R	R
	MOUNTING HARDWARE									
30	CIRCLIPS, No. 2.....		Z1	ZA 14719	PC 71519		X	X	R	R
31	NUTS, ANC, Steel, Hex, 4-40.....		Z2	ZB/CAN 3233	R 15075-4					R
32	NUTS, ANC, Steel, Hex, 6-32.....		Z2	ZB/CAN 3234	R 15075-6					R
33	NUTS, BA, Steel, Hex, No. 6.....		Z2	ZB/CAN 3218	R 15126-4					R
34	SCREWS, ANC, Steel, RH, 4-40 x 1/4-in.....		Z2	ZB/CAN 2991	R 15104-6					R
35	SCREWS, ANC, Steel, RH, 6-32 x 3/8-in.....		Z2	ZB/CAN 3020	PC 30144 C		X	X	R	R
36	SCREWS, BA, Brass, Ch H, No. 4 x 1/2-in.....		Z2	ZB/CAN 2818	PC 30031 G		X	X	R	R
37	SCREWS, BA, Steel, Grub, No. 4 x 1/4-in.....		Z2	ZB/CAN 0366	R 11701-4		X	X	R	R
38	SCREWS, BA, Steel, RH, No. 4 x 1/4-in.....		Z2	ZB/CAN 2937	R 11702-8		X	X	R	R
39	SCREWS, BA, Steel, RH, No. 6 x 1/2-in.....		Z2	ZB/CAN 2954	PC 32104 C		X	X	R	R
40	SCREWS, Captive, No. 7.....		Z1	ZA 14729			X	X	R	R
41	SCREWS, Thread-Cutting, RH, 4-40 x 1/4-in.....		Z2	ZB/CAN 3377			X	X	R	R
42	WASHERS, Shakeproof No. 1204.....		Z2	ZB/CAN 0344	RCA 59049-18 R 15019-4		X	X	X	X
43	WASHERS, Shakeproof No. 1206.....		Z2	ZB/CAN 0345	RCA 59049-19 R 15019-6		X	X	X	X
	★ A later modification supersedes Screws, Captive, No. 7 using the following assembly									
	BUSHES, Rubber, 3/4-in. Dia. x 5/16-in. Bore, No. 2.....		Z1	ZA 10679	PC 57332 C					
	SCREWS, Captive, 1-1/4-in. lg, 1/4-20 Thd, No. C1.....		Z1	ZA/CAN 5342	PC 34421 C					
	WASHERS, Steel, 3/4-in. OD, 21/64-in. ID, .050-in. thick.....		Z2	ZB/CAN 1379	PC 40299 C					
	● These items only are carried in Ordnance as Spares. Full designation and V.A.O.S. number MUST be quoted on indents.									



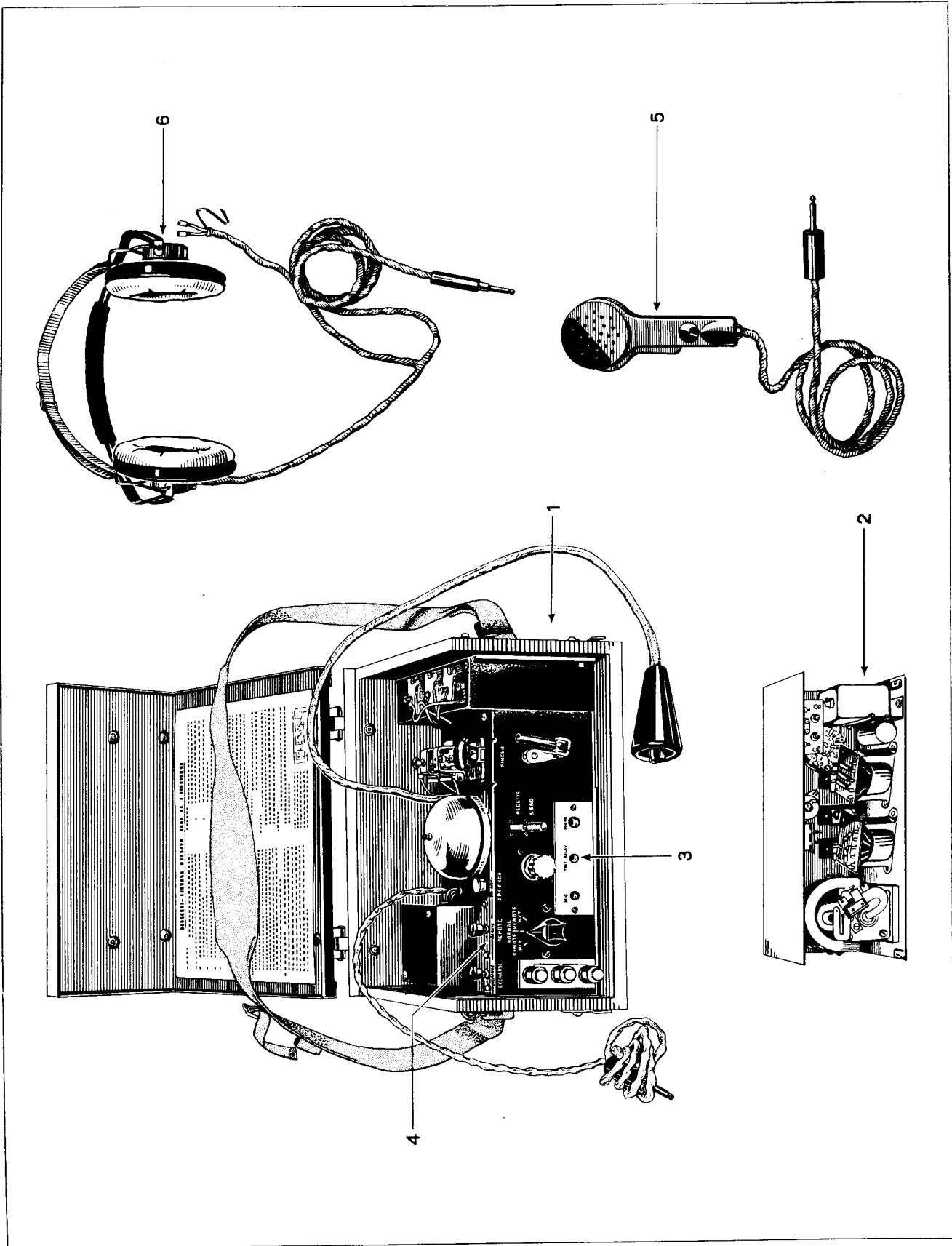
JUNCTIONS, DISTRIBUTION, NO. 1

Det. No.	DESIGNATION	No. per Illus.	V. A. O. S.		Manufacturers Number	Cir. Ref.	Repair Schedule			
			Sect.	Number			Unit	Echelon		
								1st	2nd	4th
	• JUNCTIONS, DISTRIBUTION, NO. 1		Z1	ZA/CAN/BR 3100	PC 75458C		X	R	R	
1	BRACKETS, Supporting, No. 2	1	Z1	ZA 14697	PC 76359					R
2	BRACKETS, Supporting, No. 3	1	Z1	ZA 14698	PC 45931C					R
3	BUZZER ASSEMBLIES, 12-Volts	1	Z1	ZA/CAN 0882	PC 90788C		X	R		R
4	BRACKETS, Mounting, No. C1	1	Z1	ZA/CAN 0855	PC 90788C-192					R
5	BUZZERS, 12-Volt	1	Z1	ZA/CAN 0854	PC 90788C-191	L20A				R
6	CASES, Metal, No. 22	1	Z1	ZA 14716	PC 45846C/P					R
7	CLAMPS, Retaining, No. 4	1	Z1	ZA 14720	PC 45939					R
8	CONNECTORS, Flexible, 5-Point, No. 2	1	Z1	ZA/CAN/BR 10339	I 76340C		R	R		R
9	CORDS, 5-Core, No. 1	1	Y1	YA 4867	JJ 60105		X	R		R
10	SOCKETS, 5-Point, No. 5 (See Index)	1	Z1	ZA 2994	RCA 118392-1		X	R		R
11	GROMMETS, Blind, No. 1	2	Z1	ZA 14721	PC 90764		X	R		R
12	GROMMETS, Rubber, 7/16-in. ID, 5/8-in. x 1/16-in. Panel	1	Z1	ZA/CAN 0815	PC 71608					R
13	GROMMETS, Sleeve, No. 2	1	Z1	ZA 14723	PC 90688		X	R		R
	PROTECTORS, Cable, 1.11/16-in. long AND WASHERS, Steel, Extruded, 13/16-in. OD, 13/32-in. ID, 0.1-in. deep	1	Z1	ZA/CAN 0780	PC 65135C		X	R		R
14	LUGS, Ross-Courtney Type WE 503	3	Z2	ZB/CAN 0779	PC 65135C-191					R
15	PLATES, Cover, No. 3	1	W2	WB/CAN 0740	PC 90791C					R
16	PLATES, Insulating, 1.9/16-in. x 1.1/16-in.	1	Z1	ZA 14725	PC 76329C					R
17	RESISTORS, Wirewound, 18-Watts, 2-Ohms, 10%	1	Z1	ZA/CAN 0856	PC 46237C	R41A	X	R		R
18	SCREWS, BA, Brass, Ch H, No. 4 x 1/2-in.	3	Z2	ZB/CAN 0886	PC 90790C					R
19	SCREWS, BA, Brass, RH, No. 6 x 3/8-in.	5	Z2	ZB/CAN 2552	R 11706-6		X	X		R
20	STRIPS, Tag, 3-Way, No. 8	1	Z1	ZA 14732	PC 76440C					R
21	STRIPS, Tag, 4-Way, No. 4	1	Z1	ZA 14736	PC 76360C					R
22	SWITCHES, Push Button, SP, No. C1	1	Z1	ZA/CAN 0890	RCA 109897-1	S3A	X	R		R
23	TAGS, Shakeproof No. 2103-6	1	Z1	ZA/CAN 0078	K 30042-1	T7A				X
24	TRANSFORMERS, Microphone, No. 11	1	Z1	ZA 2833	PC 77374					R
25	WASHERS, Brass, 9/32-in. OD, 1/8-in. ID, .032-in. thick	7	Z2	ZB/CAN 0511	RCA 102548-10					R
26	WASHERS, Shakeproof No. 1204	5	Z2	ZB/CAN 0344	RCA 59049-18 LR 15019-4		X	X		R
MOUNTING HARDWARE										
27	CIRCLIPS, No. 2		Z1	ZA 14719	PC 71519					R
28	NUTS, ANC, Steel, Hex, 4-40		Z2	ZB/CAN 3233	R 15075-4					R
29	NUTS, ANC, Steel, Hex, 6-32		Z2	ZB/CAN 3234	R 15075-6					R
30	NUTS, ANF, Steel, Hex, 5/8-27 x 25/32-in. A/F		Z1	ZA/CAN 0891						R
31	NUTS, BA, Brass, Hex, No. 4		Z2	ZB/CAN 3205	R 11733-4					R
32	SCREWS, ANC, Steel, RH, 4-40 x 1/4-in.		Z2	ZB/CAN 2991	R 15126-4					R
33	SCREWS, ANC, Steel, RH, 4-40 x 3/8-in.		Z2	ZB/CAN 2993	R 15126-6					R
34	SCREWS, ANC, Steel, RH, 6-32 x 3/8-in.		Z2	ZB/CAN 3020	R 15104-6					R
35	SCREWS, Captive, No. 7		Z1	ZA 14729	PC 32104C		X	X		R
36	SCREWS, Thread-Cutting, RH, 4-40 x 1/4-in.		Z2	ZB/CAN 3377						R
37	STUDS, BA, Brass, No. 4 x 2.3/4-in.		Z1	ZA/CAN 0887	PC 30589C					R
38	WASHERS, Bakelite, 17/32-in. OD, 9/64-in. ID, .062-in. thick		Z1	ZA/CAN 0881	PC 40286					R
39	WASHERS, Brass, 9/32-in. OD, 1/8-in. ID, .032-in. thick		Z2	ZB/CAN 0511	RCA 102548-10					R
40	WASHERS, Brass, 3/8-in. OD, 3/16-in. ID, .038-in. thick		Z2	ZB/CAN 0023	RCA 57428-55					R
41	WASHERS, Shakeproof No. 1204		Z2	ZB/CAN 0344	RCA 59049-18 LR 15019-4		X	X		R
42	WASHERS, Shakeproof No. 1206		Z2	ZB/CAN 0345	RCA 59049-19 LR 15019-6		X	X		X
43	WASHERS, Shakeproof No. 1228		Z2	ZB/CAN 1176	RCA 59049-29					X
44	WASHERS, Steel, Spring, 5/16-in. OD, 5/32-in. ID, .031-in. thick		Z2	ZB/CAN 0888	PC 71108					R
	★ A later modification supersedes Screws, Captive, No. 7 using the following assembly.									
	BUSHES, Rubber, 3/4-in. Dia. x 5/16-in. Bore, No. 2		Z1	ZA 10679	PC 57332C					
	SCREWS, Captive, 1.1/4-in. long, 1/4-20 Thd, No. C1		Z1	ZA/CAN 5342	PC 34424C					
	WASHERS, Steel, 3/4-in. OD, 21/64-in. ID, .050-in. thick		Z2	ZB/CAN 1379	PC 40299C					
	• These items only are carried in Ordnance as Spares. Full designation and V.A.O.S. number MUST be quoted on indents.									



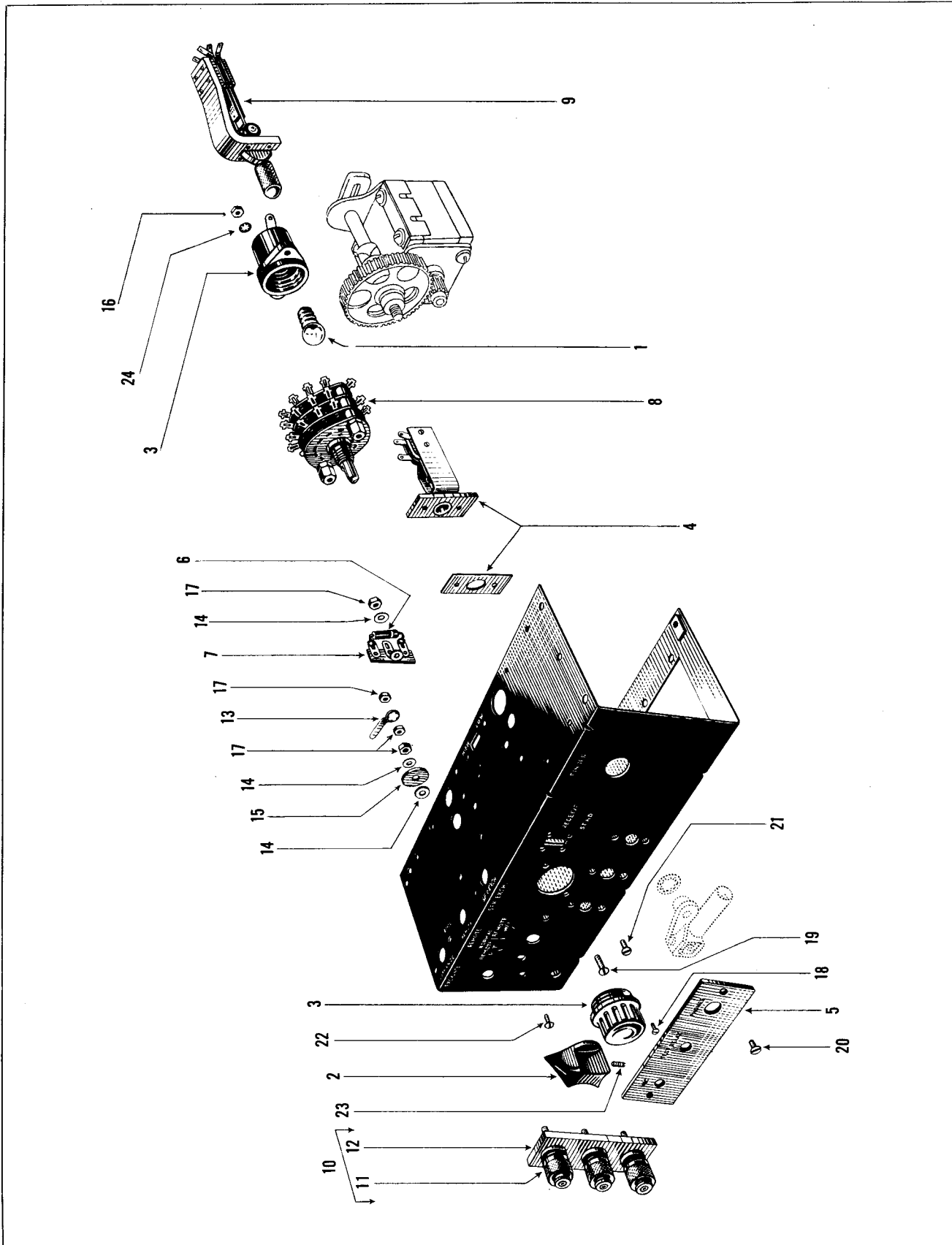
JUNCTIONS. DISTRIBUTION. NO. 3

Det. No.	DESIGNATION	No. per Illus.	V. A. O. S.		Manufacturers Number	Cir. Ref.	Repair Schedule			
			Sect.	Number			Unit	Echelon		
								1st	2nd	4th
	● JUNCTIONS, DISTRIBUTION, NO. 3		Z1	ZA/CAN/BR 10244	PC 75523C		X	R	R	
1	BRACKETS, Supporting, No. 2.....	2	Z1	ZA 14697	PC 76359					R
2	BRACKETS, Supporting, No. 3.....	2	Z1	ZA 14698	PC 45931C					R
3	BUZZER ASSEMBLIES, 12-Volt.....	1	Z1	ZA/CAN 0882	PC 90788C		X	R		R
4	BRACKETS, Mounting, No. Cl.....	1	Z1	ZA/CAN 0855	PC 90788C-192					R
5	BUZZERS, 12-Volt.....	1	Z1	ZA/CAN 0854	PC 90788C-191	L 20 A				R
6	CASES, Metal, No. 24.....	1	Z1	ZA 14718	PC 45846C/X		EX	R		R
7	CLAMPS, Retaining, No. 4.....	2	Z1	ZA 14720	PC 45939		X	R		R
8	CONNECTORS, Flexible, 5-Point No. 2.....	2	Z1	ZA/CAN/BR 10339	PC 76340C		X	R		R
9	CORDS, 5-Core, No. 1.....	2	Y1	YA 4867	PC 60105		X	R		R
10	SOCKETS, 5-Point, No. 5 (See Index).....	2	Z1	ZA 2994	RCA 118392-1		X	R		R
11	GROMMETS, Blind, No. 1.....	5	Z1	ZA 14721	PC 90764		X	R		R
12	GROMMETS, Rubber, 7/16-in. ID, 5/8-in. x 1/16-in. Panel.....	1	Z1	ZA/CAN 0815	PC 71608					R
13	GROMMETS, Sleeve, No. 2 OR	2	Z1	ZA 14723	PC 90688		X	R		R
	PROTECTORS, Cable, 1.11/16-in. Long AND	2	Z1	ZA/CAN 0780	PC 65135C		X	R		R
	WASHERS, Steel, Extruded, 13/16-in. OD, 13/32-in. ID, 0.1-in. deep.....	2	Z2	ZB/CAN 0779	PC 65135C-191		X	X		R
14	LUGS, Ross-Courtney, Type WE 503.....	6	W2	WB/CAN 0740	PC 90791C		X	X		R
15	PLATES, Cover, No. 4.....	1	Z1	ZA 14726	PC 76329C/A		X	X		R
16	PLATES, Insulating, 1.9/16-in. x 1.1/16-in..	1	Z1	ZA/CAN 0856	PC 46237C					R
17	SCREWS, BA, Brass, Ch H, No. 4 x 1/2-in.....	6	Z2	ZB/CAN 2818	PC 30144C		X	X		R
18	SCREWS, BA, Brass, RH, No. 6 x 3/8-in.....	10	Z2	ZB/CAN 2552	R 11706-6		X	X		R
19	STRIPS, Tag, 3-Way, No. 9.....	1	Z1	ZA 14733	PC 76973C		X	R		R
20	STRIPS, Tag, 3-Way, No. 10.....	1	Z1	ZA 14734	PC 76705C		X	R		R
21	STRIPS, Tag, 4-Way, No. 4.....	2	Z1	ZA 14736	PC 76360C		X	R		R
22	SWITCHES, Push-Button, S.P., No. 3.....	1	Z1	ZA 2812	RCA 109897-2		X	R		R
23	TAGS, Shakeproof No. 2103-6.....	1	Z1	ZA/CAN 0078	K 30042-1					X
24	WASHERS, Brass, 9/32-in. OD, 1/8-in. ID, .032-in. thick.....	10	Z2	ZB/CAN 0511	RCA 102548-10		X	X		R
25	WASHERS, Shakeproof No. 1204.....	10	Z2	ZB/CAN 0344	RCA 59049-18 R 15019-4		X	X		X
	MOUNTING HARDWARE									
26	CIRCLIPS, No. 2.....		Z1	ZA 14719	PC 71519		X	X		R
27	NUTS, ANC, Steel, Hex, 4-40.....		Z2	ZB/CAN 3233	R 15075-4					R
28	NUTS, ANF, Brass, Hex, 5/8-27 x 13/16-in. A/F		Z1	ZA/CAN 0862						R
29	SCREWS, ANC, Steel, RH, 4-40 x 1/4-in.....		Z2	ZB/CAN 2991	R 15126-4					R
30	SCREWS, ANC, Steel, RH, 4-40 x 3/8-in.....		Z2	ZB/CAN 2993	R 15126-6					R
31	SCREWS, Captive, No. 7.....		Z1	ZA 14729	PC 32104C		X	X		R
32	SCREWS, Thread-Cutting, RH, 4-40 x 1/4-in....		Z2	ZB/CAN 3377						R
33	WASHERS, Brass, 9/32-in. OD, 1/8-in. ID, .032-in. thick.....		Z2	ZB/CAN 0511	RCA 102548-10		X	X		R
34	WASHERS, Shakeproof No. 1204.....		Z2	ZB/CAN 0344	RCA 59049-18 R 15019-4					X
35	WASHERS, Shakeproof No. 1228.....		Z2	ZB/CAN 1176	RCA 59049-29					X
	★ A later modification supersedes Screws, Captive, No. 7 using the following assembly									
	BUSHES, Rubber, 3/4-in. Dia. x 5/16-in. Bore, No. 2.....	1	Z1	ZA 10679	PC 57332C					
	SCREWS, Captive, 1.1/4-in. long, 1/4-20 Thd, No. Cl.....	1	Z1	ZA/CAN 5342	PC 34424C					
	WASHERS, Steel, 3/4-in. OD, 21/64-in. ID, .050-in. thick.....	1	Z2	ZB/CAN 1379	PC 40299C					
	● These items only are carried in Ordnance as Spares. Full designation and V.A.O.S. number MUST be quoted on indents.									



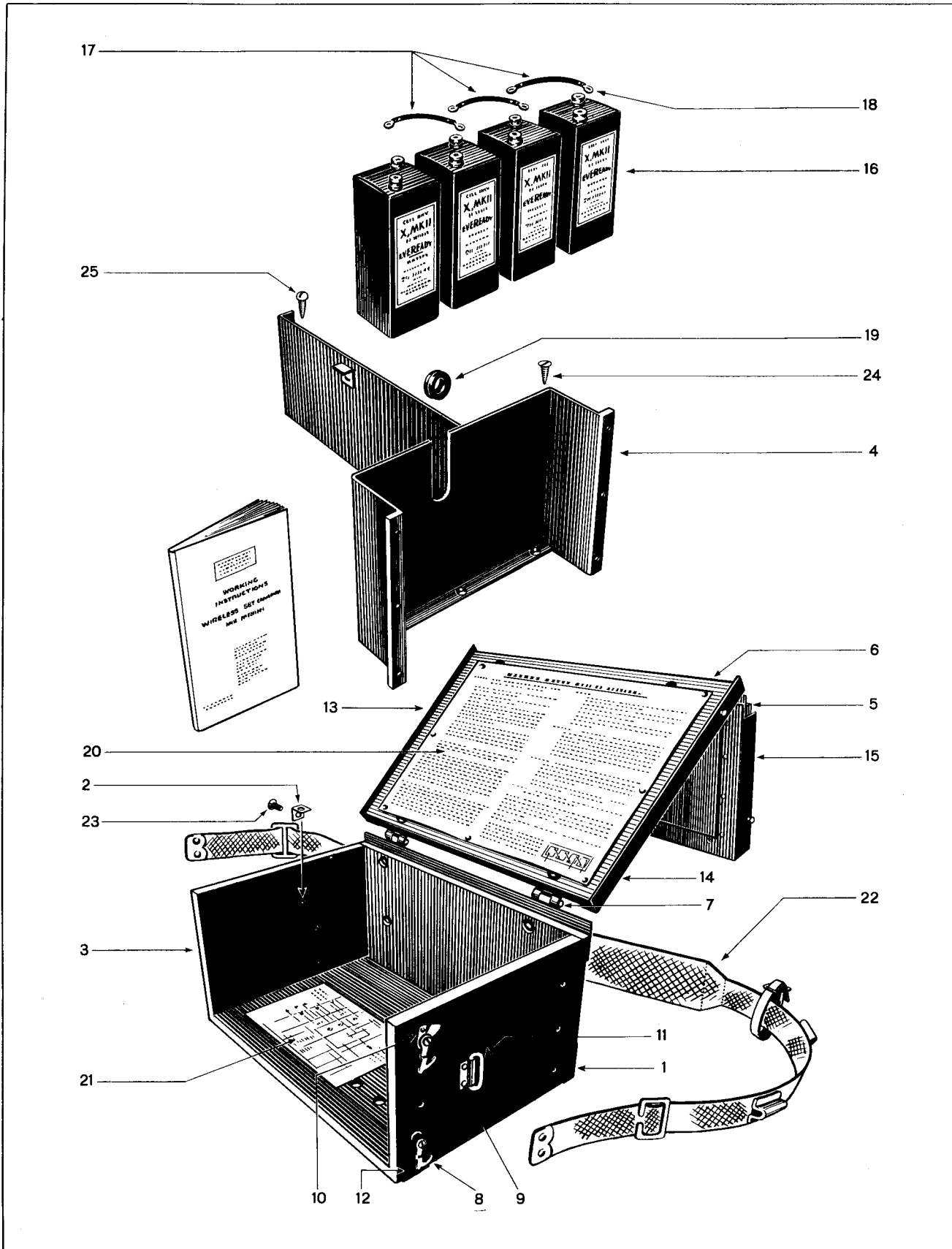
WIRELESS REMOTE CONTROL UNITS. CDN NO. 1

Det. No.	DESIGNATION	No. per Illus.	V. A. O. S.		Manufacturers Number	Cir. Ref.	Repair Schedule						
			Sect.	Number			Unit	Echelon					
								1st	2nd	4th			
	WIRELESS REMOTE CONTROL UNITS, CDN, NO. 1												
1	● CASES, Wood, Carrying, W/R/C Units, No. C1.....(See Index)	1	Z1	ZA/CAN 1332	PC 82506C-190								
2	● BOTTOM of Chassis.....(See Index)	1	Z1	ZA/CAN 1261	RCA 101977		R		R			R	R
3	● FRONT PANEL.....(See Index)	1										R	R
4	● TOP PLATFORM.....(See Index)	1										R	R
5	● MICROPHONES, Hand, No. C3 OR (See Index)	1	Z1	ZA/CAN 1759	CMC 114-648		R		R			R	R
	● MICROPHONES, Hand, No. 3 (See Index)	1	Z1	ZA/CAN/BR 5371	RCA 105465-501		R		R			R	R
6	● RECEIVERS, Headgear, MC, Mk I (See Index)	1	Z1	ZA/CAN 1638	RCA 107634-501		R		R			R	R
	RECEIVERS HEADGEAR and MICROPHONE are accessories and must be indented for separately.												
	● These items only are carried in Ordnance as Spares. Full designation and V.A.O.S. number MUST be quoted on indents.												

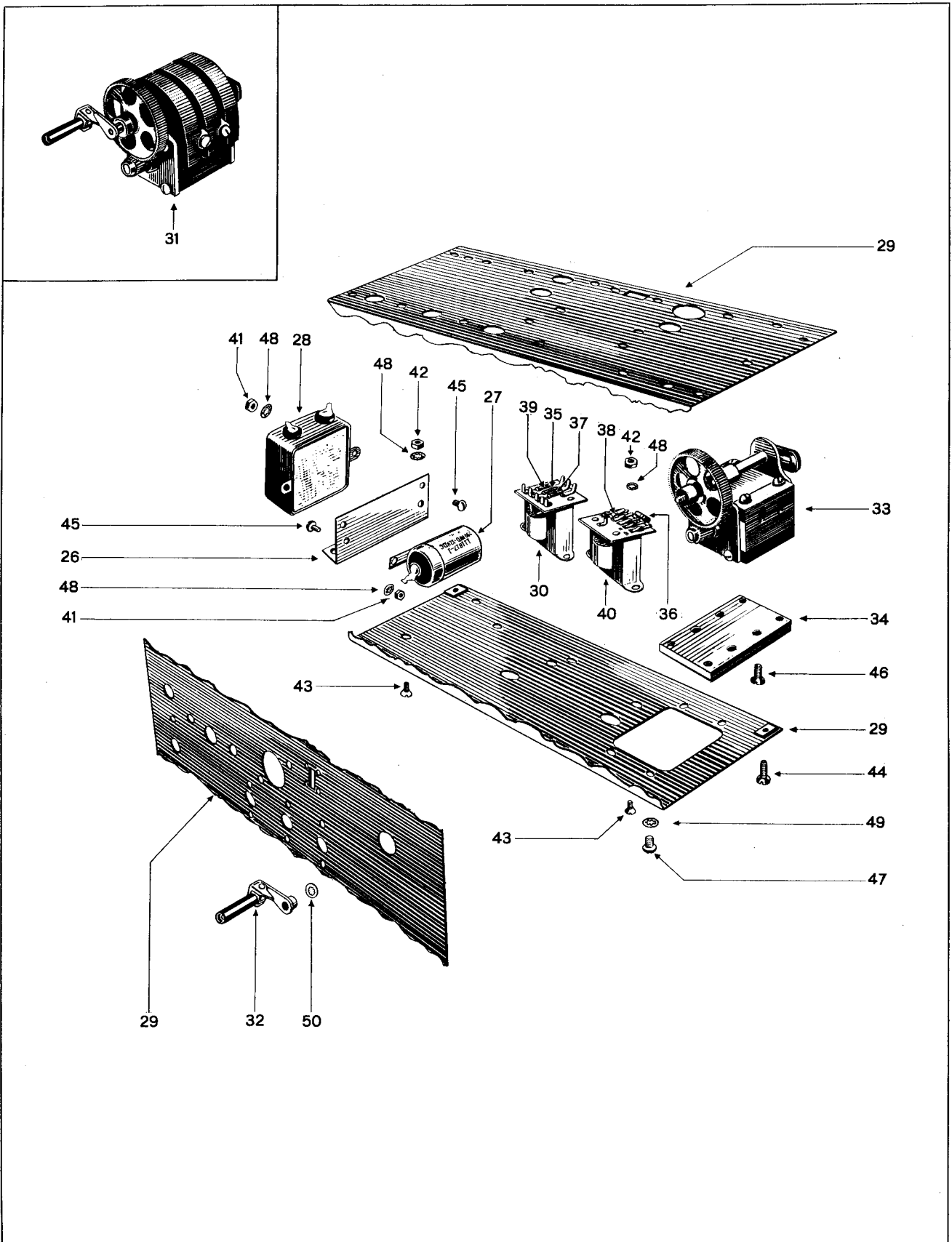


WIRELESS REMOTE CONTROL UNITS, CDN., NO. 1
FRONT PANEL

Det. No.	DESIGNATION	No. per Illus.	V. A. O. S.		Manufacturers Number	Cir. Ref.	Repair Schedule			
			Sect.	Number			Unit	Echelon		
								1st	2nd	4th
	WIRELESS REMOTE CONTROL UNITS, CDN, NO. 1		Z1	ZA/CAN 1332	PC 82506 C-190					
	FRONT PANEL									
1	● BULBS, 6-Volt, Miniature, 0.2-Amp.....	1	W2	WB/CAN 1082	RCA 61114-10					
2	● HANDLES, No. 37.....	1	Z1	ZA 12585	LPC 64521 C	P-1A	X	X	X	X
3	● HOLDERS, Lamp, No. 1.....(See Index)	1	Z1	ZA 4201	PC 55437 C Det.2		X	X	X	X
4	● JACKS, Microphone, No. Cl.....	3	Z1	ZA/CAN 0264	PC 90614 C-1		R	R	R	R
5	● PLATES, Phenolic, Jack Designating, W/R/C Units, No. Cl.....	1	Z1	ZA/CAN 1277	PC 76150 C-1912	J-1A-B-C		X	X	R
6	● RESISTORS, Wirewound, 1/2-Watt, 220-Ohms, 10%.....	1	Z1	ZA/CAN 0278	RCA 111820-1			X	X	X
7	● STRIPS, Tag, 3-Way, No. 2.....	1	Z1	ZA 12462	PC 70732 C	R 2A		X	X	R
8	● SWITCHES, Rotary Disc, 3-Pole, 3-Position, 3-Bank, No. 1.....	1	Z1	ZA 2828	PC 70253 C		R	R	R	R
9	● SWITCHES, Transfer, Toggle, Roller Type, No. Cl.....	1	Z1	ZA/CAN 1291	PC 83217 C	S 4A			X	R
10	● TERMINAL ASSEMBLIES, Wireless Remote Control Units, No. Cl.....	1	Z1	ZA/CAN 1292	RCA 110051-501	S 2A		X	X	R
11	● TERMINALS, Brass, Slotted, Screw Locking...	3	Z1	ZA/CAN 1293	RCA 111819-1			X	X	R
12	● PLATES, Phenolic, Terminal, Mounting, 2.3/4-in. long.....	1	Z1	ZA/CAN 1294	RCA 111770-501	TE-1A-B-C		X	X	R
13	● TAGS, Shakeproof No. 2103-8.....	2	Z2	ZB/CAN 0323	RCA 114142			X	X	R
14	● WASHERS, Brass, 9/32-in. OD, 1/8-in. ID, .022-in. thick.....	3	Z2	ZB/CAN 0334	RCA 111769			X	X	R
15	● WASHERS, Phenolic, Extruded, 5/8-in. OD, 3/16-in. ID, 0.133-in. thick.....	2	Z1	ZA/CAN 1295	K 30042-3			X	X	R
	MOUNTING HARDWARE									
16	● NUTS, ANC, Steel, Hex, 4-40.....		Z2	ZB/CAN 3233	RCA 102548-10			X	X	R
17	● NUTS, BA, Brass, Hex, No. 4.....		Z2	ZB/CAN 3205	RCA 111833-1			X	X	R
18	● SCREWS, ANC, Steel, Csk H, 2-56 x 1/4-in...		Z2	ZB/CAN 3045	R 15075-4			X	X	R
19	● SCREWS, ANC, Steel, Csk H, 4-40 x 7/16-in...		Z2	ZB/CAN 3062	R 11733-4			X	X	R
20	● SCREWS, ANC, Steel, Csk H, 4-40 x 1/4-in...		Z2	ZB/CAN 3059				X	X	R
21	● SCREWS, BA, Brass, Csk H, No. 6 x 5/16-in...		Z2	ZB/CAN 2626	R 11714-5			X	X	R
22	● SCREWS, BA, Steel, Csk H, No. 4 x 1/4-in...		Z2	ZB/CAN 3162	R 11709-4			X	X	R
23	● SCREWS, BA, Steel, Grub, No. 4 x 1/4-in...		Z2	ZB/CAN 0366	PC 30031 C			X	X	R
24	● WASHERS, Shakeproof No. 1204.....		Z2	ZB/CAN 0344	RCA 59049-18			X	X	R
					R 15019-4			X	X	R
	★ Alternative Terminal Shown Below:									
	TERMINALS, Instrument, Slotted, Single, No. 4 large.....	3	W1	WB 0986	PP 57302					
	● These items only are carried in Ordnance as Spares. Full designation and V.A.O.S. number MUST be quoted on indents.									



WIRELESS REMOTE CONTROL UNITS, CDN, NO. 1 CASE ASSEMBLIES

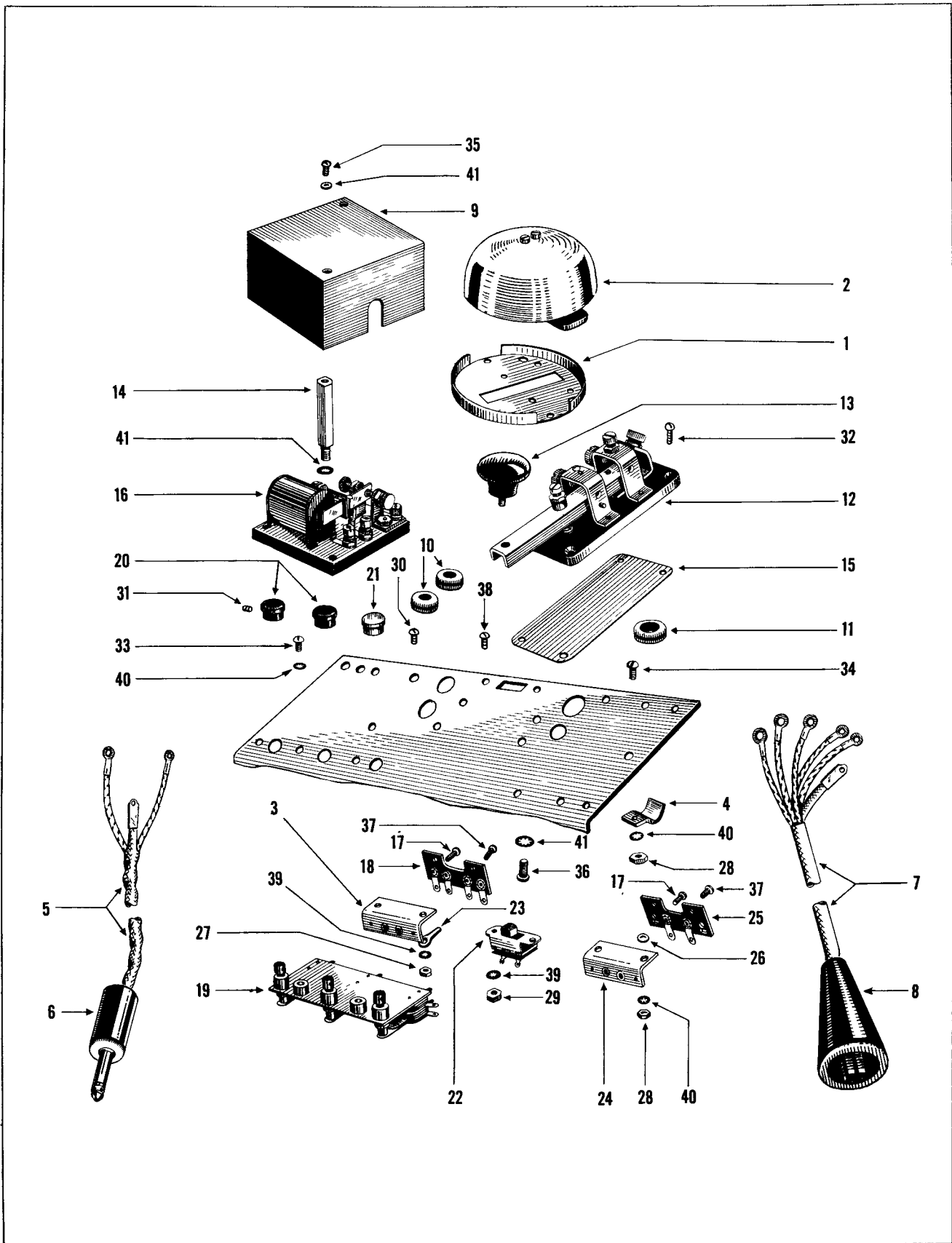


BOTTOM OF CHASSIS

**ELECTRICAL & MECHANICAL
ENGINEERING REGULATIONS**

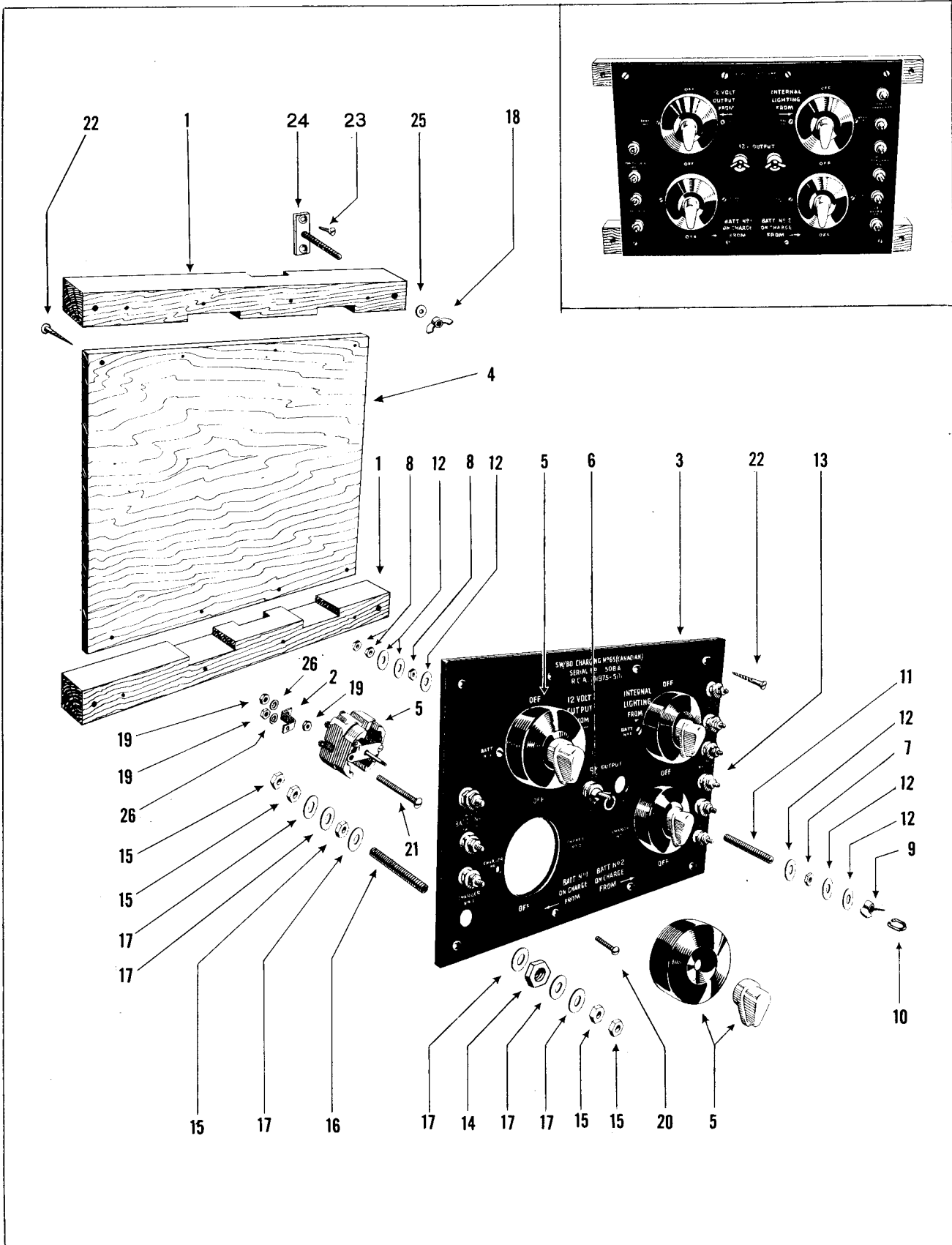
Det. No.	DESIGNATION	No. per Illus.	V. A. O. S.		Manufacturers Number	Cir. Ref.	Repair Schedule			
			Sect.	Number			Unit	Echelon		
								1st	2nd	4th
	WIRELESS REMOTE CONTROL UNITS, CDN, NO. 1		Z1	ZA/CAN 1332	PC 82506 C-190					
	CASE ASSEMBLIES									
1	CASES, Wood, Carrying, W/R/C Units, No. C1. BRACKETS, Metal, Corner, 90°, 1.1/2-in. x 1.1/2-in., No. C1.....	1 2	Z1 Z1	ZA/CAN 1261 ZA/CAN 5324	RCA 101977-1 RCA 111859-1			X	X	R
2	BRACKETS, Metal, Mounting, 1/2-in. x 3/8-in. x 11/16-in.....	2	Z1	ZA/CAN 1262	RCA 111777-1			X	R	R
3	CASES, Wood, 12.3/8-in. x 8.1/2-in. x 6.0/8-in. No. C1.....	1	Z1	ZA/CAN 5317	RCA 105487-1			X	R	R
4	CHASSIS, Case Mounting, W/R/C Units, No. C1	1	Z1	ZA/CAN 1263	RCA 110021-501			X	X	R
5	COVERS, Wood, 12.3/8-in. x 6-in. x 1/2-in., No. C1.....	1	Z1	ZA/CAN 5319	RCA 105487-2			X	R	R
6	COVERS, Wood, 12.1/2-in. x 8.7/8-in. x 1/2-in. No. C1.....	1	Z1	ZA/CAN 5318	RCA 105487-3			X	R	R
7	HINGES, Metal, Strap, 4-in.....	2	Z1	ZA/CAN 5333	RCA 111856-1			X	X	R
8	HOOKS, Safety, LH, No. C1.....	2	Z1	ZA/CAN 5336	RCA 111858-2			X	R	R
8	HOOKS, Safety, RH, No. C1.....	2	Z1	ZA/CAN 5335	RCA 111858-1			X	R	R
9	PLATES, Metal, 1.1/16-in. x 7/8-in. x 1/16-in., No. C1.....	2	Z1	ZA/CAN 5326	RCA 111889-1			X	X	R
10	PLATES, Tension, LH, No. 3.....	2	Z1	ZA 18227	PP 58229			X	R	R
11	PLATES, Tension, RH, No. 3.....	2	Z1	ZA 18528	PP 58228			X	R	R
11	SLINGS, "D" Rings.....	2	Y1	YA 0605	[RCA 111888-1 PP 57533			X	R	R
12	STRAPS, Metal, 12.1/2-in. x 1-in. x 1/16-in., No. C1.....	1	Z1	ZA/CAN 5323	RCA 111841-1			X	R	R
13	STRAPS, Metal, Angle, 9-in. x 3/4-in. x 3/4-in., No. C1.....	1	Z1	ZA/CAN 5321	RCA 111844-501			X	R	R
14	STRAPS, Metal, Angle, 9-in. x 3/4-in. x 3/4-in., No. C2.....	1	Z1	ZA/CAN 5322	RCA 111844-502			X	R	R
15	STRAPS, Metal, U-Shaped, 12.7/8-in. x 6.1/8-in. x 1/16-in., No. C1.....	1	Z1	ZA/CAN 5320	RCA 110025-501			X	R	R
16	CELLS, Dry, X, Mk II.....	4	W2	WB 0200				X	R	R
17	CONNECTORS, Single, 2.1/2-in.....	3	Z1	ZA/CAN 1279		Cell 1A-D	X	X	X	X
18	LUGS, Solder, 3-Amp, 1/64-in. Hole.....	6	W2	WB/CAN 1334				X	R	R
19	GROMMETS, Rubber, 7/16-in. ID, 5/8-in. x 1/16-in. Panel.....	1	Z1	ZA/CAN 0815	PC 71608			X	X	R
20	PLATES, Instruction, W/R/C Units Canadian No. 1.....	1	Z1	ZA/CAN 1275	RCA 110062-1					R
21	PLATES, Schematic, W/R/C Units Canadian No. 1.....	1	Z1	ZA/CAN 1276	RCA 101993-1					R
22	STRAPS, Carrying, "P".....	1	Y1	YA 1532	RCA 110031-1			X	X	R
22	WORKING INSTRUCTIONS, W/R/C Units Canadian No. 1.....	1	Z1	ZA/CAN 1304	RCA 113894-1			X	X	X
	MOUNTING HARDWARE									
23	SCREWS, ANC, Steel, Csk H, 6-32 x 5/8-in...		Z2	ZB/CAN 3092	R 15069-9					R
24	SCREWS, Wood, Steel, Csk H, No. 6 x 3/8-in.		Z2	ZB/CAN 1299	R 15231-1			X	X	R
25	SCREWS, Wood, Steel, RH, No. 6 x 3/8-in...		Z2	ZB/CAN 1300	R 15233-1			X	X	R
	BOTTOM OF CHASSIS									
26	BRACKETS, Metal, Mounting, 2.13/16-in. x 1.3/8-in.....	1	Z1	ZA/CAN 1259	RCA 111814			X	X	R
27	CAPACITORS, Electrolytic, Dry, 250-uF, 12-Volt, -10% 200%.....	1	Z1	ZA/CAN 1268	RCA 111817-1	C-2A		X	X	X
28	CAPACITORS, Oil-Paper, Metal Case, 2-uF, 200-Volts, 20%.....	1	Z1	ZA/CAN 1269	RCA 111795-1	C-1A		X	X	X
29	CHASSIS, Component Mounting, W/R/C Units, No. C1.....	1	Z1	ZA/CAN 1265	RCA 101971-501				R	R
30	CHOKES, AF, Iron-Core, No. C1.....	1	Z1	ZA/CAN 1266	RCA 109906-503	L-1A		X	R	R
31	GENERATORS, P/M, Hand Operated, 9-20 Cycles 110-Volt, No. C1.....	1	Y1	YA/CAN 1271	RCA 110011	Ringer-1A		R	R	R
32	HANDLES, Metal, Crank, Self-Closing..... OR	1	Y1	YA/CAN 1272						R
33	GENERATORS, P/M, Hand Operated, 9-20 Cycles, 110-Volt, No. C2.....	1	Y1	YA/CAN 1274	RCA 105935	Ringer-1A		R	R	R
33	HANDLES, Metal, Crank, Self-Closing.....	1	Y1	YA/CAN 1272						R
34	PLATES, Metal, Mounting, 2.7/8-in. x 2-in. x 1/4-in.....	1	Y1	YA/CAN 1273	RCA 111812			X	X	R
35	RESISTORS, Wirewound, 1/2-Watt, 10-Ohms, 10%.....	1	Z1	ZA/CAN 1284	[RCA 78727-38 K 5975-44B	R-5A		X	X	R
36	RESISTORS, Wirewound, 1/2-Watt, 27-Ohms, 10%.....	1	Z1	ZA/CAN 0071	[PC 70740 C K 5975-34B	R-1A				R
37	RESISTORS, Wirewound, 1/2-Watt, 56-Ohms, 10%.....	1	Z1	ZA/CAN 1283	[RCA 78727-47 K 5975-26B	R-4A		X	X	R

Det. No.	DESIGNATION	No. per Illus.	V. A. O. S.		Manufacturers Number	Cir. Ref.	Repair Schedule				
			Sect.	Number			Unit	Echelon			
								1st	2nd	4th	
38	● RESISTORS, Wirewound, 1/2-Watt, 220-Ohms, 10%.....	1	Z1	ZA/CAN 0278	[PC 70732 C K 5975-12B	R-2B		X	X	R	
39	● RESISTORS, Wirewound, 1/2-Watt, 330-Ohms, 10%.....	1	Z1	ZA/CAN 1282	[RCA 78727-56 K 5975-8B	R-3A		X	X	R	
40	● TRANSFORMERS, Microphone, No. C3.....	1	Z1	ZA/CAN 1296	RCA 109906-502	T-1A		X	X	R	
	MOUNTING HARDWARE										
41	NUTS, ANC, Brass, Hex, 6-32.....		Z2	ZB/CAN 3226	R 15016-6					R	
42	● NUTS, ANC, Steel, Hex, 6-32.....		Z2	ZB/CAN 3234	R 15075-6		X	X		R	
43	SCREWS, ANC, Steel, Csk H, 6-32 x 1/4-in...		Z2	ZB/CAN 3086	R 15069-4					R	
44	SCREWS, ANC, Steel, Csk H, 8-32 x 5/8-in...		Z2	ZB/CAN 3105	R 15146-10					R	
45	● SCREWS, ANC, Steel, RH, 6-32 x 1/4-in.....		Z2	ZB/CAN 3018	R 15104-4		X	X		R	
46	SCREWS, ANF, Steel, Csk H, 10-32 x 7/16-in...		Z2	ZB/CAN 1297						R	
47	SCREWS, ANF, Steel, RH, 10-32 x 5/16-in....		Z2	ZB/CAN 1298						R	
48	● WASHERS, Shakeproof No. 1206.....		Z2	ZB/CAN 0345	[RCA 59049-19 LR 15019-6		X	X		X	
49	WASHERS, Shakeproof No. 1210.....		Z2	ZB/CAN 0347	[RCA 59049-21 LR 15019-10					X	
50	WASHERS, Shakeproof No. 1214.....		Z2	ZB/CAN 0659	RCA 59049-23					X	
	★ NOTE: This item is not part of the Wireless Remote Control Units, Canadian, No. 1, and must be indented for separately.										
	● These items only are carried in Ordnance as Spares. Full designation and V.A.O.S. number MUST be quoted on indents.										



WIRELESS REMOTE CONTROL UNITS, CDN., NO. 1 TOP OF PLATFORM

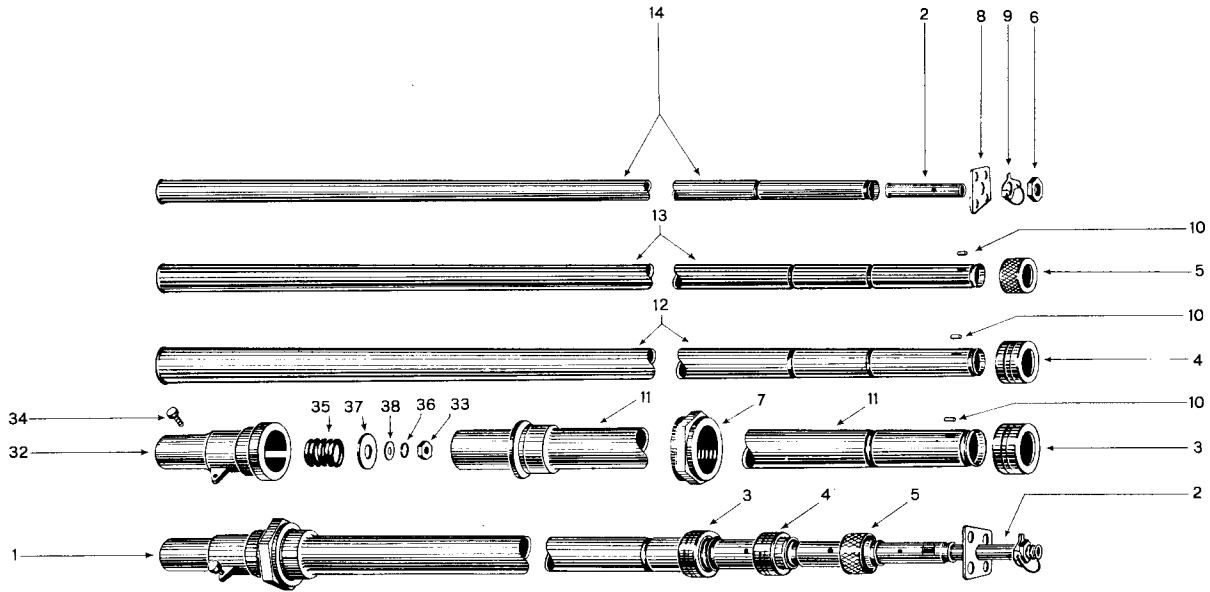
Det. No.	DESIGNATION	No. per Illus.	V. A. O. S.		Manufacturers Number	Cir. Ref.	Repair Schedule			
			Sect.	Number			Unit	Echelon		
								1st	2nd	4th
	WIRELESS REMOTE CONTROL UNITS, CDN, NO. 1		Z1	ZA/CAN 1332	PC 82506 C-190					
	TOP PLATFORM									
1	● BASES, Metal, Bells LF, No. Cl.....	1	Z1	ZA/CAN 1258	RCA 111811					
2	● BELLS, LF, Twin Coil, 1300-Ohms.....	1	Z1	ZA/CAN 1257	RCA 11823-1	Bell-1A		X	X	R
3	● BRACKETS, Metal, Mounting, 1.1/2-in. x 3/8-in. x 5/8-in.....	1	Z1	ZA/CAN 1260						R
4	● CLIPS, Fibre, Cable, No. Cl.....	1	Z1	ZA/CAN 1267	R 17301-18		X	X		R
	● CORD AND PLUG SINGLE ASSEMBLIES, No. Cl.....	1	Z1	ZA/CAN 1132	RCA 110017-501	PL-2A	X	X		R
5	● CORDS, 2-Core, No. Cl.....	1	Z1	ZA/CAN 1270	RCA 110020-J		R	R		R
6	● PLUGS, Single, No. Cl.....	1	Z1	ZA/CAN 0980	PC 90691C-25		X	X		R
	● CORD AND PLUG 5-POINT ASSEMBLIES, No. Cl.....	1	Z1	ZA/CAN 1133	RCA 110016-501	PL-1A	X	X		R
7	● CORDS, 5-Core, No. 1.....	1	Y1	YA 4867	PC 60095					R
8	● PLUGS, 5-Point, No. 5.....	1	Z1	ZA/CAN/BR 1853						R
9	● COVERS, Metal, Relays WT, No. Cl.....	1	Z1	ZA/CAN 1281	RCA 111816-1		X	X		R
10	● GROMMETS, Rubber, 9/32-in. ID, 3/8-in. x 1/16-in. Panel.....	4	Z1	ZA/CAN 0394	K 4534-6		X	X		R
11	● GROMMETS, Rubber, 7/16-in. ID, 5/8-in. x 1/16-in. Panel.....	1	Z1	ZA/CAN 0815	K 4534-9 PC 71608		X	X		R
12	● KEYS, WT, 8-Amp, No. Cl.....	1	Z1	ZA/CAN 0977	RCA 111809-1	K-1A	X	X		R
13	● KNOBS, Keys WT 8-Amp, No. C3.....	1	Z1	ZA/CAN 0975			X	X		R
14	● PILLARS, Metal, Mounting, Hex, 1.7/8-in. Long.....	2	Z1	ZA/CAN 1278	RCA 111824		X	X		R
15	● PLATES, Phenolic, Keys WT 8-Amp, No. Cl.....	1	Z1	ZA/CAN 0976	RCA 111810-1		X	X		R
16	● RELAYS, WT, 2.05-Volt, 300-Ohms.....	1	Z1	ZA/CAN 1280	RCA 111801-1	S-5A L-2A		R	R	R
17	● SCREWS, BA, Brass, RH, No. 6 x 3/8-in.....	7	Z2	ZB/CAN 2552	R 11706-6		X	X		R
18	● STRIPS, Tag, 4-Way, No. 4.....	1	Z1	ZA 14736	PC 76360 C					R
19	● SWITCH ASSEMBLIES, 3-Button, No. Cl.....	1	Z1	ZA/CAN 1287	RCA 111803-1	S-1A-B-C	X	X		R
20	● HANDLES, Phenolic, Switch, Black.....	2	Z1	ZA/CAN 1288						R
21	● HANDLES, Phenolic, Switch, White.....	1	Z1	ZA/CAN 1289						R
22	● SWITCHES, On-Off, SPDT, No. Cl.....	1	Z1	ZA/CAN 1290	RCA 111827-1	S-3A	X	X		R
23	● TAGS, Shakeproof No. 2103-8.....	1	Z1	ZA/CAN 0323	K 30042-3		X	X		X
	● TERMINAL ASSEMBLIES, 4-Point, 1.27/32-in. x 1.1/8-in. x 3/4-in. No. Cl.....	1	Z1	ZA/CAN 5325	RCA 111821-501		X	X		R
24	● BRACKETS, Metal, Mounting, 1.1/2-in. x 3/8-in. x 5/8-in.....	1	Z1	ZA/CAN 1260						R
25	● STRIPS, Tag, 2-Way, 1.7/8-in. Long.....	1	Z1	ZA/CAN 1286	RCA 113817					R
26	● WASHERS, Brass, 9/32-in. OD, 1/8-in. ID, .022-in. Thick.....	7	Z2	ZB/CAN 0334	PC 71072 C R 11734-6		X	X		R
	MOUNTING HARDWARE									
27	● NUTS, ANC, Steel, Hex, 4-40.....		Z2	ZB/CAN 3233	R 15075-4		X	X		R
28	● NUTS, ANC, Steel, Hex, 6-32.....		Z2	ZB/CAN 3234	R 15075-6		X	X		R
29	● NUTS, BA, Steel, Hex, No. 6.....		Z2	ZB/CAN 3218			X	X		R
30	● SCREWS, ANC, Steel, Csk H, 4-40 x 1/4-in.....		Z2	ZB/CAN 3059			X	X		R
31	● SCREWS, ANC, Steel, Fil H, 2-56 x 1/4-in.....		Z2	ZB/CAN 3258						R
32	● SCREWS, ANC, Steel, Inst H, 6-32 x 5/8-in.....		Z2	ZB/CAN 3004	RCA 57486-15		X	X		R
33	● SCREWS, ANC, Steel, RH, 6-32 x 1/4-in.....		Z2	ZB/CAN 3018	R 15104-4		X	X		R
34	● SCREWS, ANC, Steel, RH, 6-32 x 5/16-in.....		Z2	ZB/CAN 3019	R 15104-5		X	X		R
35	● SCREWS, ANC, Steel, RH, 8-32 x 1/4-in.....		Z2	ZB/CAN 3031			X	X		R
36	● SCREWS, ANC, Steel, RH, 8-32 x 3/8-in.....		Z2	ZB/CAN 3033	R 15095-6		X	X		R
37	● SCREWS, Thread-Cutting, RH, 4-40 x 1/4-in.....		Z2	ZB/CAN 3377						R
38	● SCREWS, BA, Steel, RH, No. 6 x 1/4-in.....		Z2	ZB/CAN 2950	R 11702-4		X	X		R
39	● WASHERS, Shakeproof No. 1204.....		Z2	ZB/CAN 0344	RCA 59049-18 R 15019-4		X	X		X
40	● WASHERS, Shakeproof No. 1206.....		Z2	ZB/CAN 0345	RCA 59049-19 R 15019-6		X	X		X
41	● WASHERS, Shakeproof No. 1208.....		Z2	ZB/CAN 0346	RCA 59049-20 R 15019-8					X
	★ NOTE: Keys, ZA/CAN 0977, is identical to Keys, ZA/CAN 0926, with the following exceptions:-									
	1. KNOBS, ZA/CAN 0975 replaces KNOBS, ZA/CAN 0968									
	2. GUARD, ZA/CAN 0967 is omitted.									
	(See Index under Keys, WT, 8-Amp, No. Cl)									
	● These items only are carried in Ordnance as Spares. Full designation and V.A.O.S. number MUST be quoted on indents.									



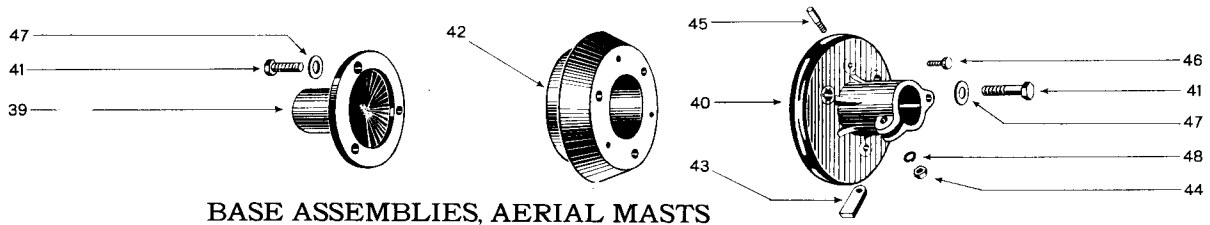
SWITCHBOARDS. CHARGING. NO. C5. CDN.

Det. No.	DESIGNATION	No. per Illus.	V. A. O. S.		Manufacturers Number	Cir. Ref.	Repair Schedule							
			Sect.	Number			Unit	Echelon						
								1st	2nd	4th				
	SWITCHBOARDS, CHARGING, NO. CS, CDN.													
			22	ZB/CAN/BR 0183	RCA 101975-501									R
1	BATTENS, Wood, Mounting, 18.1/2-in. x 1.1/2-in. x 1.1/2-in.....	2	Z2	ZB/CAN 1135	R A 110093								R	R
2	BRACKETS, Metal, Mounting, 1.11/16-in. Long..	8	Z2	ZB/CAN 1136	RCA 111774								R	R
3	PANELS, Phenolic, 16-in. x 11.1/4-in. x 3/8-in.....	1	Z2	ZB/CAN 1137	RCA 105482								R	R
4	PANELS, Wood, 16-in. x 11.1/4-in. x 1/2-in..	1	Z2	ZB/CAN 1139	RCA 107612								R	R
5	SWITCHES, Rotary Disc, D.P.D.T., No. C1.....	4	Z2	ZB/CAN 1140	RCA 110018-1								R	R
6	TERMINAL ASSEMBLIES, No. C2.....	2	Z2	ZB/CAN 1142	RCA 113992-501								R	R
7	NUTS, BSW, Brass, Hex, 5/16-18.....	1	Z2	ZB/CAN 1144	RCA 111748-3								R	R
8	NUTS, BSW, Brass, Hex, 5/16-18, 0.208-in. th.	3	Z2	ZB/CAN 1143	RCA 111748-4								R	R
9	NUTS, BSW, Brass, Wing, 5/16-18.....	1	Z2	ZB/CAN 1148	RCA 111745-1								R	R
10	RINGS, "D", 5/16-in. ID.....	1	Z2	ZB/CAN 1145	RCA 111756								R	R
11	STUDS, BSW, Brass, 5/16-18 x 2.7/8-in.....	1	Z2	ZB/CAN 1146	RCA 111755-2								R	R
12	WASHERS, Brass, 7/8-in. OD, 11/32-in. ID, .064-in. Thick.....	6	Z2	ZB/CAN 1147	RCA 57428-74								R	R
13	TERMINAL ASSEMBLIES, No. C1.....	10	Z2	ZB/CAN 1149	RCA 113991-501								R	R
14	NUTS, BA, Brass, Hex, No. 0, 0.239-in. thick.	1	Z2	ZB/CAN 1151	RCA 111748-1								R	R
15	NUTS, BA, Brass, Hex, No. 0, 0.118-in. thick.	5	Z2	ZB/CAN 1150	RCA 111748-2								R	R
16	STUDS, BA, Brass, No. 0 x 2.1/4-in.....	1	Z1	ZB/CAN 1152	RCA 111755-1								R	R
17	WASHERS, Brass, 11/16-in. OD, 17/64-in. ID, .054-in. Thick.....	6	Z2	ZB/CAN 1153	RCA 57428-73								R	R
	MOUNTING HARDWARE													
18	NUTS, ANC, Steel, Wing, 12-24.....		Z2	ZB/CAN 1195	RCA 59135-7								X	X
19	NUTS, BA, Brass, Hex, No. 2.....		Z2	ZB/CAN 3203	R 11733-2								X	X
20	SCREWS, BA, Brass, RH, No. 2 x 1-in.....		Z2	ZB/CAN 2523	R 11704-16								X	X
21	SCREWS, BA, Brass, RH, No. 2 x 1.3/4-in.....		Z2	ZB/CAN 1141	R 11704								X	X
22	SCREWS, Wood, Brass, Csk H, No. 6 x 1.1/4-in.		Z2	ZB/CAN 1138	RCA 56447-38								X	X
23	SCREWS, Wood, Steel, Csk H, No. 6 x 5/8-in..		Z2	ZB/CAN 1197									X	X
24	STUDS, Steel, Switchboard Mounting.....		Z1	ZB/CAN 1194	RCA 114022-501								X	X
25	WASHERS, Brass, 11/16-in. OD, 17/64-in. ID, .054-in. Thick.....		Z2	ZB/CAN 1153	RCA 59748-73								X	X
26	WASHERS, Shakeproof No. 1210.....		Z2	ZB/CAN 0347	R 15019-10								X	X

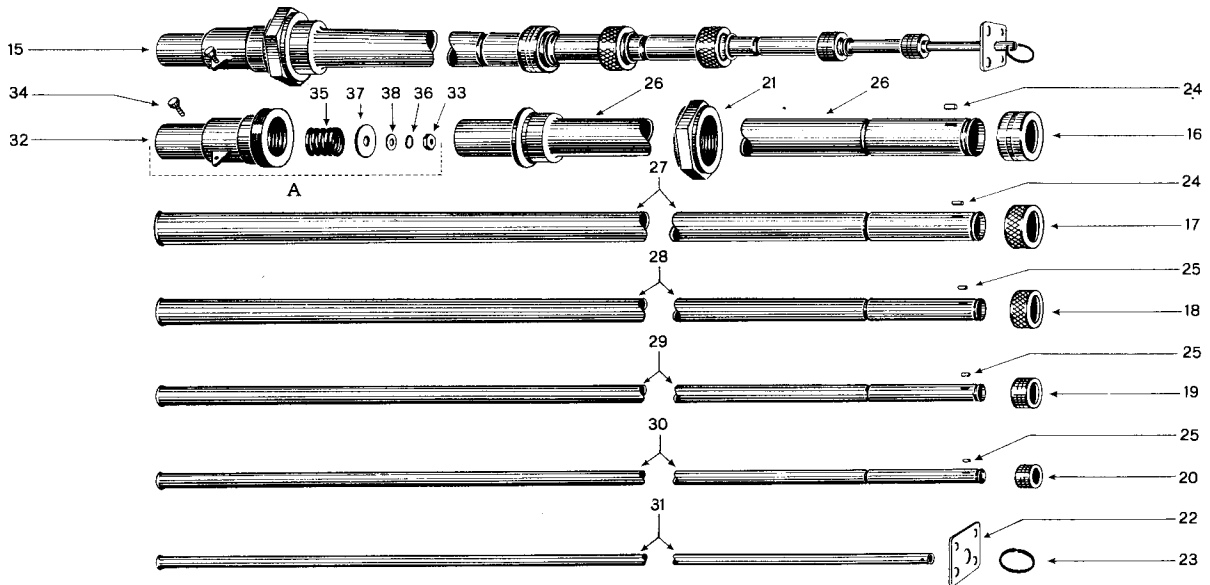
• These items only are carried in Ordnance as Spares. Full designation and V.A.O.S. number MUST be quoted on indents.



MASTS, STEEL, TELESCOPIC, 20-FT., ANTENNAE VERTICAL



BASE ASSEMBLIES, AERIAL MASTS



MASTS, STEEL TELESCOPIC, 34-FT., ANTENNAE VERTICAL

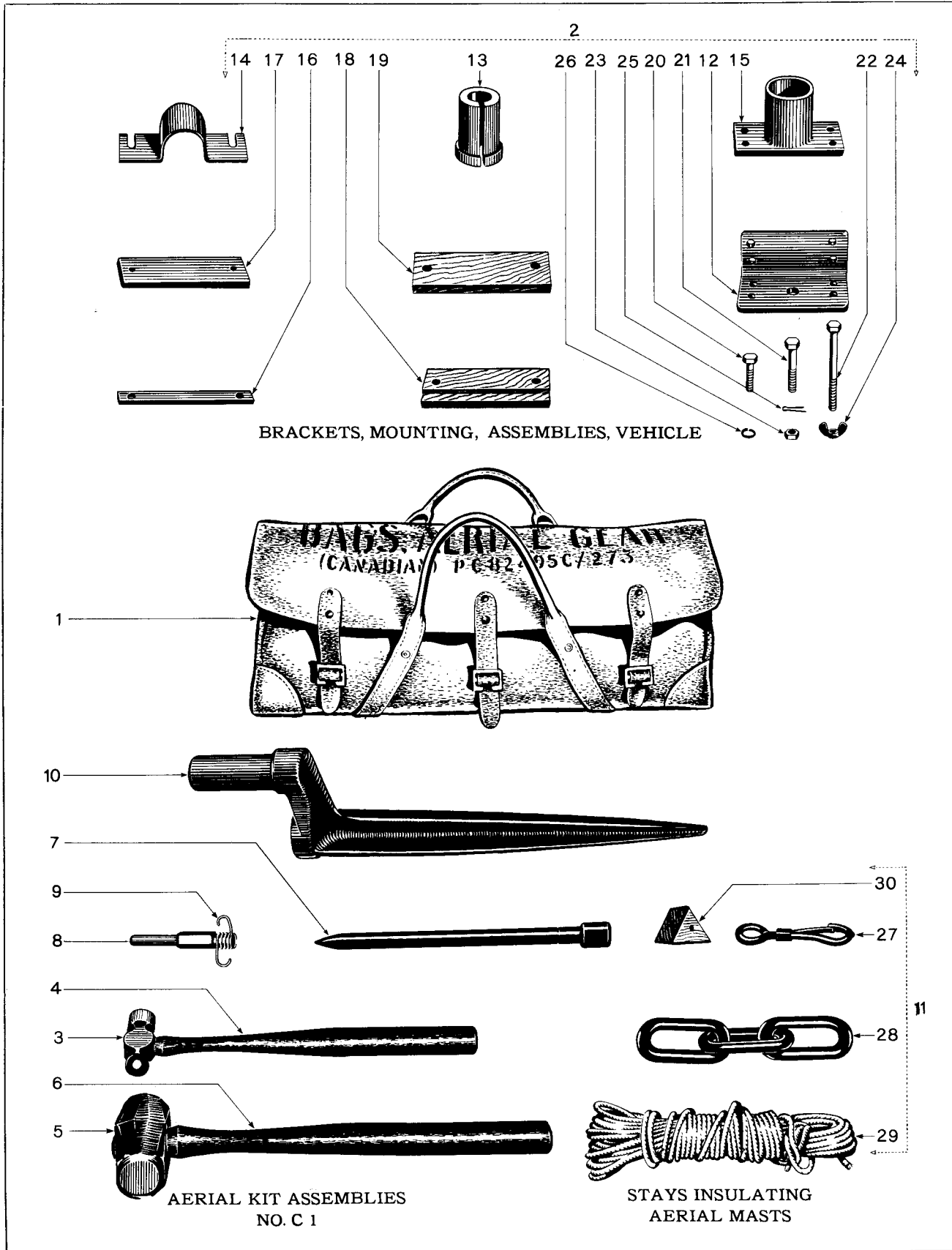
ANTENNAE MASTS ADAPTORS AND BASES

**ELECTRICAL & MECHANICAL
ENGINEERING REGULATIONS**

Det. No.	DESIGNATION	No. per Illus.	V. A. O. S.		Manufacturers Number	Cir. Ref.	Repair Schedule			
			Sect.	Number			Unit	Echelon		
								1st	2nd	4th
ANTENNAE MASTS, ADAPTORS AND BASES										
	● MASTS, STEEL, TELESCOPIC, 20-FT. ANTENNAE VERTICAL		Z1	ZA/CAN 1035	PC 824950-230		X	X	R	
1	● ADAPTOR ASSEMBLIES, Aerial Masts, No. C1...		Z1	ZA/CAN 1012	PC 824950-207		X	X	R	
2	● ADAPTORS, Metal, Antennae Rods, No. C1....	1	Z1	ZA/CAN 1062	PC 824950-235		X	X	R	
3	● COLLARS, Steel, Clamping, 2-in. OD, 1.33/64-in. ID, 1-in. long.....	1	Z1	ZA/CAN 1018	PC 824950-211		X	X	R	
4	● COLLARS, Steel, Clamping, 1.3/4-in. OD, 1.1/4-in. ID, 1-in. long.....	1	Z1	ZA/CAN 1019	PC 824950-212		X	X	R	
5	● COLLARS, Steel, Clamping, 1.1/2-in. OD, 1-in. ID, 1-in. long.....	1	Z1	ZA/CAN 1020	PC 824950-213		X	X	R	
6	● NUTS, ANF, Steel, Hex, 9/16-18.....	1	Z1	ZA/CAN 1067	PC 824950-236		X	X	R	
7	● NUTS, ANTF, Steel, Union Coupling, Hex, 1.1/4-1.1/2.....	1	Z1	ZA/CAN 1029	PC 824950-209		X	X	R	
8	● PLATES, Steel, Stay, 2.1/4-in. Square, 13/16-in. ID, 0.125-in. thick.....	1	Z1	ZA/CAN 1068	PC 824950-241		X	X	R	
9	● RINGS, Metal, Full, Aerial Masts.....	1	Z1	ZA/CAN 1069	PC 824950-238		X	X	R	
10	● ROLLERS, Steel, 1/4-in. OD, 1/2-in. long...	3	Z1	ZA/CAN 1032	PC 824950-219		X	X	R	
11	● SECTIONS, Steel, Aerial Masts, 5-Ft. 1.3/4-in.....	1	Z1	ZA/CAN 1063	PC 824950-231		X	X	X	
12	● SECTIONS, Steel, Aerial Masts, 5-Ft. 2.1/2-in.....	1	Z1	ZA/CAN 1064	PC 824950-232		X	X	X	
13	● SECTIONS, Steel, Aerial Masts, 5-Ft. 4.3/8-in.....	1	Z1	ZA/CAN 1065	PC 824950-233		X	X	X	
14	● SECTIONS, Steel, Aerial Masts, 5-Ft. 4.1/2-in.....	1	Z1	ZA/CAN 1066	PC 824950-234		X	X	X	
	● MASTS, STEEL, TELESCOPIC, 34-FT. ANTENNAE VERTICAL		Z1	ZA/CAN 1011	PC 824950-191		X	X	R	
15	● ADAPTOR ASSEMBLIES, Aerial Masts, No. C1...		Z1	ZA/CAN 1012	PC 824950-207		X	X	R	
16	● COLLARS, Steel, Clamping, 2-in. OD, 1.33/64-in. ID, 1-in. long.....	1	Z1	ZA/CAN 1018	PC 824950-211		X	X	R	
17	● COLLARS, Steel, Clamping, 1.3/4-in. OD, 1.1/4-in. ID, 1-in. long.....	1	Z1	ZA/CAN 1019	PC 824950-212		X	X	R	
18	● COLLARS, Steel, Clamping, 1.1/2-in. OD, 1-in. ID, 1-in. long.....	1	Z1	ZA/CAN 1020	PC 824950-213		X	X	R	
19	● COLLARS, Steel, Clamping, 1.1/4-in. OD, 49/64-in. ID, 1-in. long.....	1	Z1	ZA/CAN 1021	PC 824950-214		X	X	R	
20	● COLLARS, Steel, Clamping, 1-in. OD, 9/16-in. ID, 1-in. long.....	1	Z1	ZA/CAN 1022	PC 824950-215		X	X	R	
21	● NUTS, ANTF, Steel, Union Coupling, Hex, 1.1/4-1.1/2.....	1	Z1	ZA/CAN 1029	PC 824950-209		X	X	R	
22	● PLATES, Steel, Stay, 2.1/4-in. square, 5/8-in. ID, 0.125-in. thick.....	1	Z1	ZA/CAN 1030	PC 824950-195		X	X	R	
23	● RINGS, Split, Keep, 1.9/16-in. OD.....	1	Z1	ZA/CAN 1031	PC 824950-226		X	X	R	
24	● ROLLERS, Steel, 1/4-in. OD, 1/2-in. long...	3	Z1	ZA/CAN 1032	PC 824950-219		X	X	R	
25	● ROLLERS, Steel, 3/16-in. OD, 1/2-in. long..	2	Z1	ZA/CAN 1033	PC 824950-218		X	X	R	
26	● SECTIONS, Steel, Aerial Masts, 5-Ft. 8.1/2-in.....	1	Z1	ZA/CAN 1023	PC 824950-201		X	X	X	
27	● SECTIONS, Steel, Aerial Masts, 5-Ft. 8.7/8-in.....	1	Z1	ZA/CAN 1024	PC 824950-202		X	X	X	
28	● SECTIONS, Steel, Aerial Masts, 5-Ft. 10.3/4-in.....	1	Z1	ZA/CAN 1025	PC 824950-203		X	X	X	
29	● SECTIONS, Steel, Aerial Masts, 6-Ft. 5/8-in.....	1	Z1	ZA/CAN 1026	PC 824950-204		X	X	X	
30	● SECTIONS, Steel, Aerial Masts, 6-Ft. 2-in..	1	Z1	ZA/CAN 1027	PC 824950-205		X	X	X	
31	● SECTIONS, Steel, Aerial Masts, 6-Ft. 2.3/8-in.....	1	Z1	ZA/CAN 1028	PC 824950-206		X	X	X	
"A"	● ADAPTOR ASSEMBLIES, AERIAL MASTS, NO. C1		Z1	ZA/CAN 1012	PC 824950-207		X	X	R	
32	● ADAPTORS, Steel, Aerial Masts, 1.1/2-in. OD, 1.1/4-in. ID, 6.1/4-in. long.....	1	Z1	ZA/CAN 1034	PC 824950-227		X	X	R	
33	● NUTS, ANG, Steel, Hex, 1/4-20.....	1	Z2	ZB/CAN 3238	R 15075-10		X	X	R	
34	● SCREWS, ANG, Steel, Knurled Head, 8-32 x 1/2-in.....	1	Z1	ZA/CAN 1014	PC 824950-228		X	X	R	
35	● SPRINGS, Steel, Impact, 1.1/16-in. OD, 11/16-in. ID, 1.3/32-in. long.....	1	Z1	ZA/CAN 1015	PC 824950-197		X	X	X	
36	● WASHERS, Steel, Lock, 29/64-in. OD, 9/32-in. ID, .068-in. thick.....	1	Z2	ZB/CAN 1098	R 15088-1		X	X	R	
37	● WASHERS, Steel, 1.3/8-in. OD, 25/64-in. ID, 0.125-in. thick.....	1	Z2	ZB/CAN 1013	PC 824950-196		X	X	R	
38	● WASHERS, Steel, 5/8-in. OD, 17/64-in. ID, .062-in. thick.....	1	Z2	ZB/CAN 1017			X	X	R	

Det. No.	DESIGNATION	No. per Illus.	V. A. O. S.		Manufacturers Number	Cir. Ref.	Repair Schedule			
			Sect.	Number			Unit	Echelon		
								1st	2nd	4th
	● BASE ASSEMBLIES, AERIAL MASTS, NO. C1		Z1	ZA/CAN 0935	PC 82495C-285		X	X	R	
39	● BASES, Steel, Lower, Aerial Masts, No. Cl....	1	Z1	ZA/CAN 0936	PC 82495C-292		X	X	R	
40	● BASES, Steel, Upper, Aerial Masts, No. Cl....	1	Z1	ZA/CAN 0937	PC 82495C-286		X	X	R	
41	● BOLTS, ANC, Steel, Hex H, 3/8-16 x 1.3/4-in..	6	Z2	ZB/CAN 0942			X	X	R	
42	● INSULATORS, Phenolic, Bases Aerial Masts, No. Cl.....	1	Z1	ZA/CAN 0938	PC 82495C-287		X	X	X	
43	● LEVERS, Steel, Clamping, Bases Aerial Masts, No. Cl.....	1	Z1	ZA/CAN 0939	PC 82495C-289		X	X	R	
44	● NUTS, ANC, Steel, Hex, 1/4-20.....	1	Z2	ZB/CAN 3238	R 15075-10		X	X	R	
45	● PINS, Steel, Bases Aerial Masts, No. Cl.....	1	Z1	ZA/CAN 0940	PC 82495C-288		X	X	R	
46	● SCREWS, ANC, Steel, Knurled Head, 8-32 x 3/4-in.....	2	Z1	ZA/CAN 0941	PC 82495C-293		X	X	R	
47	WASHERS, Steel, 13/16-in. OD, 13/32-in. ID, .063-in. Thick.....	6	Z2	ZB/CAN 0943	RCA 57428-10				R	
48	WASHERS, Steel, Lock, 29/64-in. OD, 9/32-in. ID, .068-in. Thick.....	1	Z2	ZB/CAN 1098	R 15088-1				R	

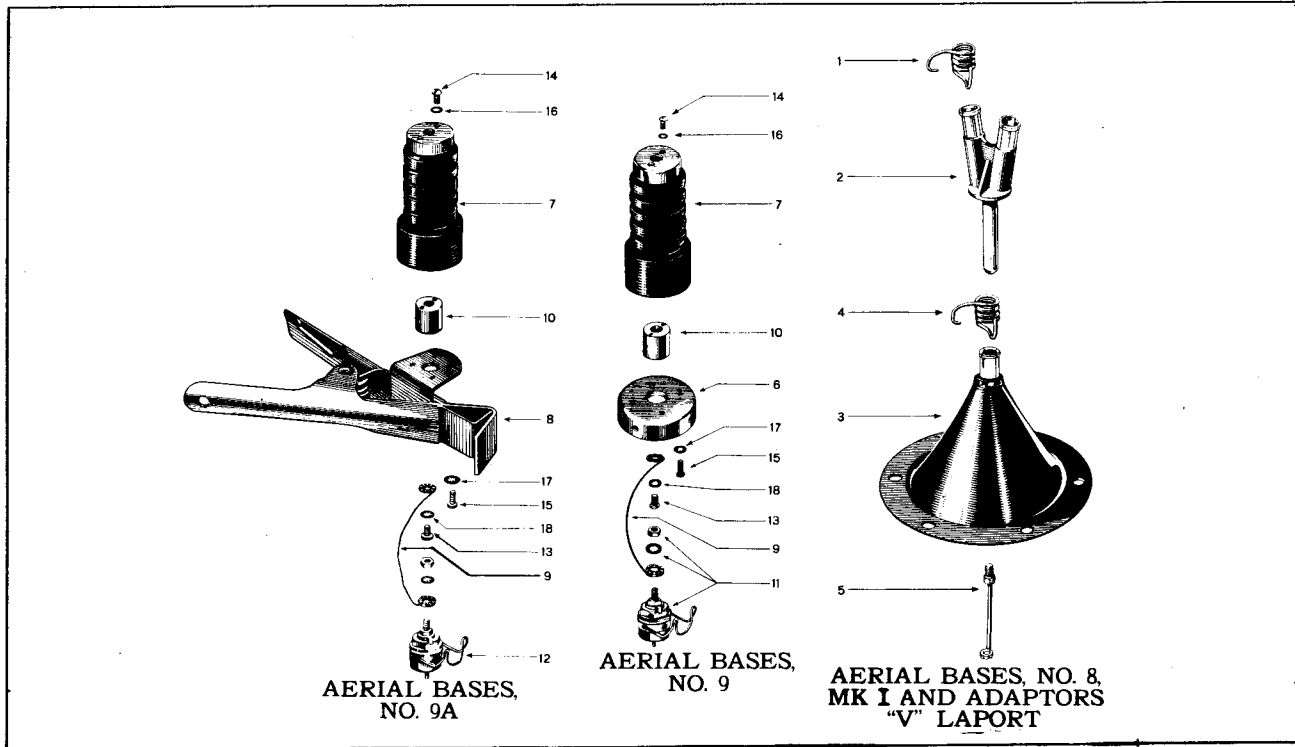
● These items only are carried in Ordnance as Spares. Full designation and V.A.O.S. number MUST be quoted on indents.



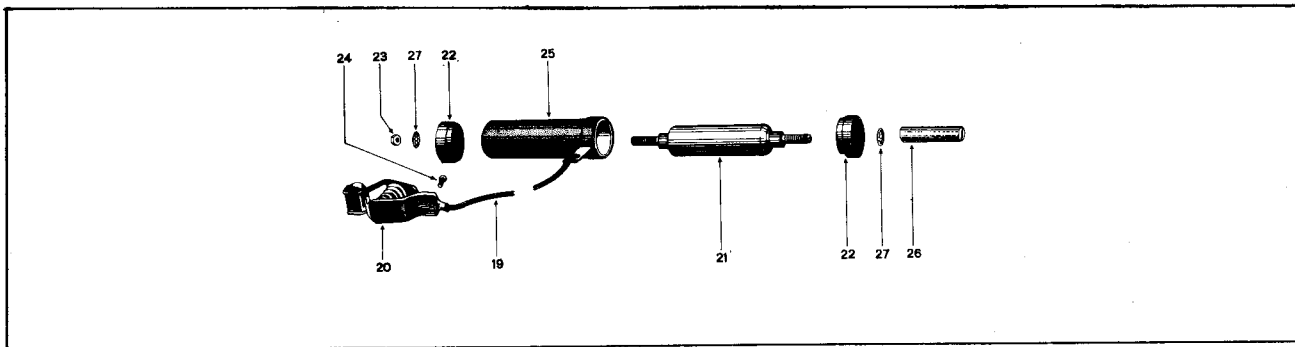
AERIAL KIT

Det. No.	DESIGNATION	No. per Illus.	V. A. O. S.		Manufacturers Number	Cir. Ref.	Repair Schedule			
			Sect.	Number			Unit	Echelon		
								1st	2nd	4th
AERIAL KIT										
	AERIAL KIT ASSEMBLIES, NO. C1		Z1	ZA/CAN 0944	PC 82495C-270				R	
1	● BAGS, Aerial Gear, No. C1.....	1	Z1	ZA/CAN 1016	PC 82495C-273		X	X	R	
2	● BRACKET MOUNTING ASSEMBLIES, Vehicle, (See Ill. below).....	1	Z1	ZA/CAN 1037	PC 82495C-260		X	X	R	
3	● [Hammers, Engineers, Ballpans, 8-oz.....	1	F1	FA 14125	PC 82495C-275		X	X	R	
4	● [HANDLES, Hammers, No. 7.....	1	F1	FA 14426			X	X	R	
5	● [Hammers, Miners, 4.1/2 lbs.....	1	W1	WA/CAN 1041	PC 82495C-274		X	X	R	
6	● [HANDLES, Hammers, No. 5.....	1	F1	FA 14424			X	X	R	
7	● PEGS, Antennae Rods, 10-in. long.....	10	Z1	ZA/CAN 1036	PC 82495C-271		X	X	R	
8	● [SOCKETS, Metal, Antennae Vertical.....	1	Z1	ZA/CAN 1044	PC 82495C-240				R	
9	● [AERIAL BASES, No. 8:- SPRINGS.....	1	Z1	ZA 10412	PC 90743		X	X	R	
10	● SPIKES, Metal, Ground, Crank-Shaped, 19.9/16-in. long.....	2	Z1	ZA/CAN 0945	PC 82495C-272		X	X	R	
11	● STAYS, Insulating, Aerial Masts, No. C1 (See Ill. below).....	1	Z1	ZA/CAN 1045	PC 82495C-250		X	X	X	
	BRACKETS, MOUNTING, ASSEMBLIES, VEHICLE		Z1	ZA/CAN 1037	PC 82495C-260				R	
12	● BRACKETS, Steel, Mounting, 4-in. x 2.1/2-in. x 2-in.....	1	Z1	ZA/CAN 1052	PC 82495C-261		X	X	R	
13	● BUSHES, Wood, Packing, 1.3/4-in. OD, 7/8-in. ID, 2.3/8-in. long.....	1	Z1	ZA/CAN 1053	PC 82495C-267		X	X	R	
14	● CLEATS, Metal, Aerial Masts, No. C1.....	1	Z1	ZA/CAN 1054	PC 82495C-264		X	X	R	
15	● HOLDERS, Metal, Aerial Masts, No. C1.....	1	Z1	ZA/CAN 1055	PC 82495C-266		X	X	R	
16	● PLATES, Metal, Mounting, 4-in. x 3/4-in. x 1/8-in.....	1	Z1	ZA/CAN 1057	PC 82495C-263		X	X	R	
17	● PLATES, Steel, Mounting, 5-in. x 2-in. x 1/4-in.....	1	Z1	ZA/CAN 1058	PC 82495C-265		X	X	R	
18	● SPACERS, Wood, Mounting, 5-in. x 2-in. x 1/2-in.....	1	Z1	ZA/CAN 1060	PC 82495C-262		X	X	R	
19	● SPACERS, Wood, Mounting, 5-in. x 2-in. x 1/2-in., Tapered.....	1	Z1	ZA/CAN 1061	PC 82495C-268		X	X	R	
	MOUNTING HARDWARE									
20	● BOLTS, ANC, Steel, Hex Hd, 1/4-20 x 1-in...		Z2	ZB/CAN 1051			X	X	R	
21	● BOLTS, ANC, Steel, Hex Hd, 1/4-20 x 1.3/4-in., Special.....		Z2	ZB/CAN 1049			X	X	R	
22	● BOLTS, ANC, Steel, Hex Hd, 1/4-20 x 3.3/4-in., Special.....		Z2	ZB/CAN 1050			X	X	R	
23	● NUTS, ANC, Steel, Hex, 1/4-20.....		Z2	ZB/CAN 3238			X	X	R	
24	● NUTS, ANC, Steel, Wing, 1/4-20.....		Z2	ZB/CAN 1056			X	X	R	
25	● PINS, Keep, Split, 1/16-in. x 7/16-in.....		Z2	ZB/CAN 1059			X	X	R	
26	● WASHERS, Steel, Lock, 29/64-in. OD, 9/32-in. ID, .068-in. thick.....		Z2	ZB/CAN 1098	R 15088-1		X	X	X	
	STAYS, INSULATING, AERIAL MASTS, NO. C1		Z1	ZA/CAN 1045	PC 82495C-250					
27	● HOOKS, Steel, Spring, 4-in. long.....	8	Z1	ZA/CAN 1046	PC 82495C-251		X	X	R	
28	● INSULATORS, W/T, Chain, Small, 3-Link.....	8	Z1	ZA 4444	PC 82495C-252		X	X	R	
29	● SASH CORD, 3/16-in.....	360	Z1	ZA/CAN 1047	PC 82495C-254		R	R	R	
30	● STAY TIGHTENERS, 2.1/2-in. x 1.1/4-in. x 3/4-in.....	8	Z1	ZA/CAN 1048	PC 82495C-253		X	X	R	

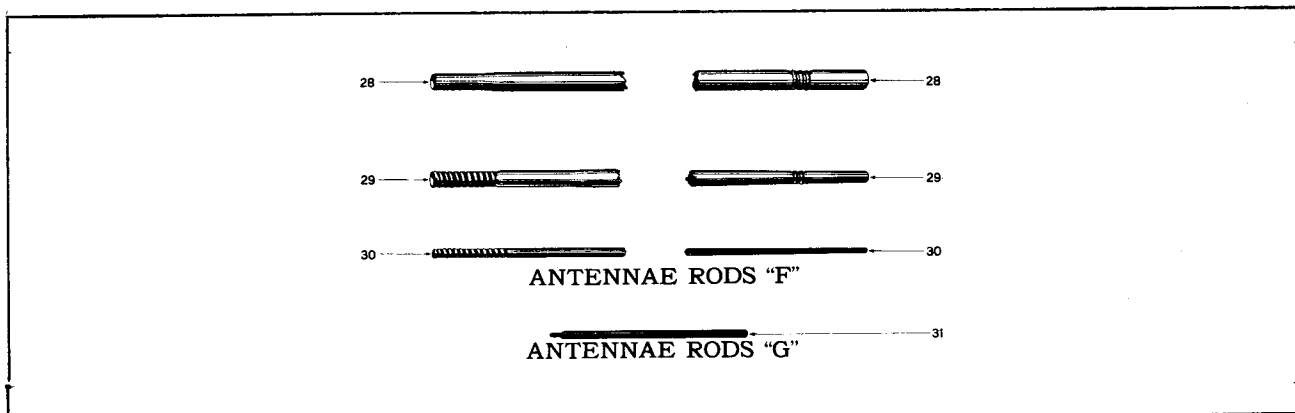
● These items only are carried in Ordnance as Spares. Full designation and V.A.O.S. number MUST be quoted on indents.



AERIAL BASES



AERIALS, DUMMY, NO. C1

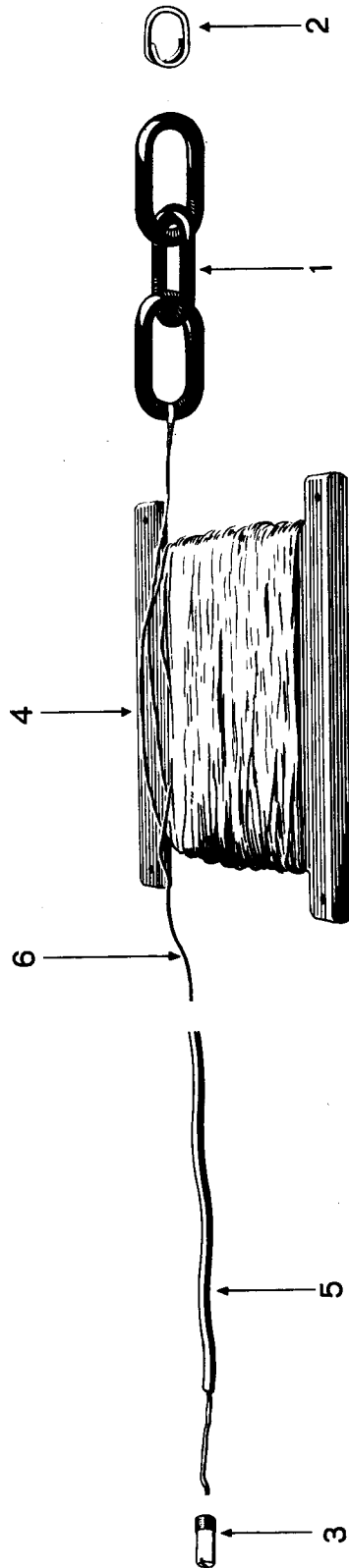


ANTENNAE RODS

AERIAL EQUIPMENT

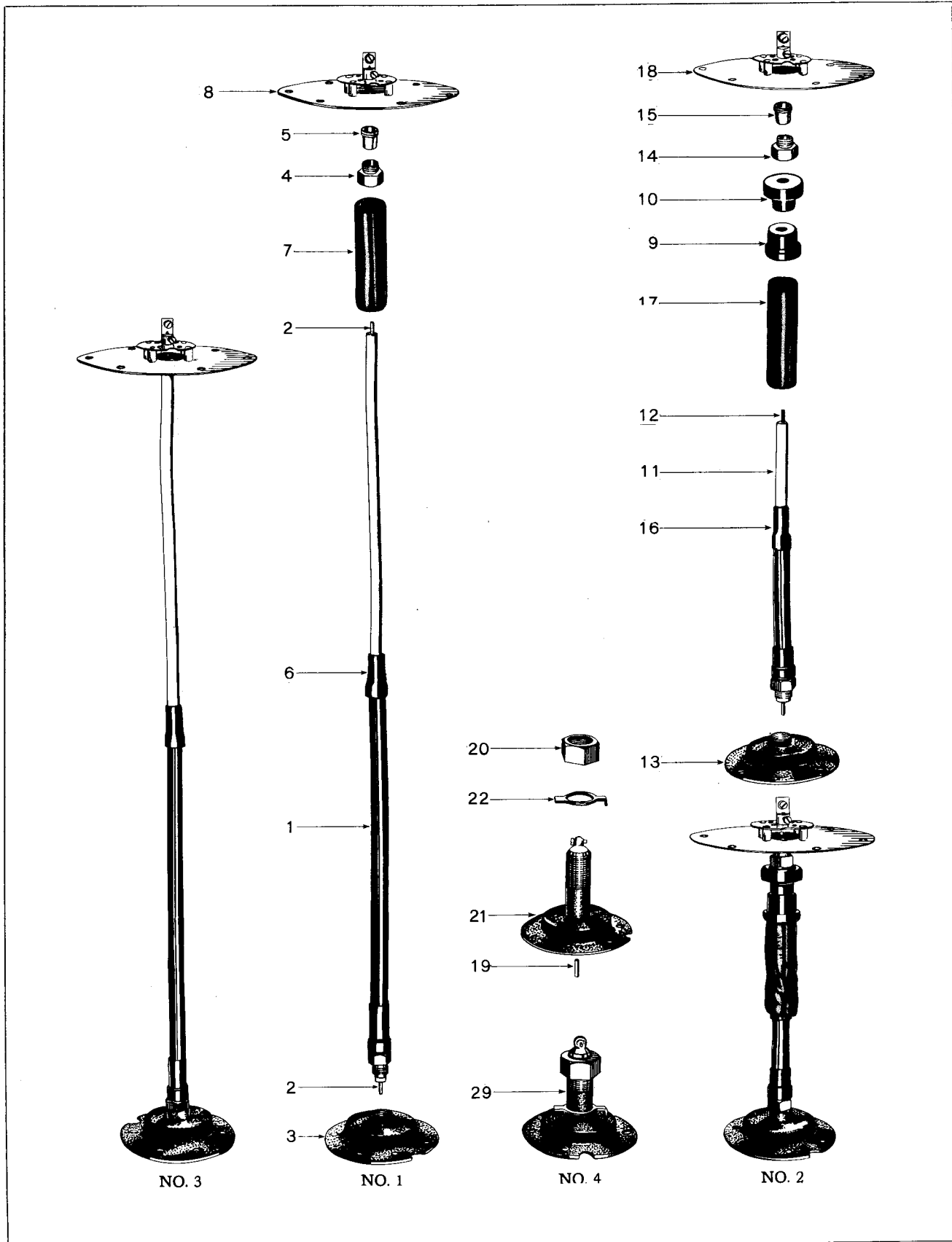
Det. No.	DESIGNATION	No. per Illus.	V. A. O. S.		Manufacturers Number	Cir. Ref.	Repair Schedule			
			Sect.	Number			Unit	Echelon		
								1st	2nd	4th
AERIAL EQUIPMENT										
AERIAL BASES										
	● ADAPTORS, "V" LAPORT		Z1	ZA/CAN 0702	PC 32106C-190		X	X	R	
1	● AERIAL BASES, NO. 8:-	1	Z1	ZA 10412	PC 90743		X	X	R	
2	● SPRINGS.....	1	Z1	ZA/CAN 0703	PC 32106C-191					R
	● BODIES, Adaptors "V" Laport.....	1	Z1							R
3	● AERIAL BASES, NO. 8, MK I	1	Z1	ZA 1763	PC 76387C		X	X	X	
4	● AERIAL BASES, NO. 8:-	1	Z1	ZA 10412	PC 90743		X	X	R	
5	● SPRINGS.....	1	Z1	ZA 1868	PC 76556C		R	R	R	
	● CONNECTORS, Pigtail, No. 1.....	1	Z1							R
	● AERIAL BASES, NO. 9		Z1	ZA 1764	PC 75525C					
	● AERIAL BASES, NO. 9A.....		Z1	ZA 10322	PC 76703C					
6	BASES, Mounting, Aerial Bases No. 9	No. 9 1	No. 9A Z1	ZA/CAN 0690	PC 45962					R
7	BODIES, Rubber, Aerial Bases, 3.1/4-in.....	1	1	Z1	ZA/CAN 0691	PC 90761C				X
8	CLIPS, Spring, Aerial Bases No. 9A.	1	1	Z1	ZA/CAN 0959	RCA 113006				R
9	● CONNECTORS, Pigtail, No. 2.....	1	1	Z1	ZA 10024	PC 76557C	X	X	R	
10	● INSERTS, Aerial Bases, 3/64-in. OD, 5/8-in. Long....	1	1	Z1	ZA/CAN 0693	PC 32228				R
11	● PLUGS, Single, No. 26 X.....	1	1	Z1	ZA/CAN 0390	PC 75510C-191	X	X	R	
12	● PLUGS, Single, No. 26 Y.....	1	1	Z1	ZA/CAN 0391					R
13	● SCREWS, BA, Steel, RH, No. 4.....	1	1	Z2	ZB/CAN 2937	R 11701-4	X	X	R	
14	● SCREWS, BA, Steel, RH, No. 6 x 1/4-in.....	2	2	Z2	ZB/CAN 2950	R 11702-4	X	X	R	
15	● SCREWS, BA, Steel, RH, No. 6 x 3/8-in.....	4	4	Z1	ZA/CAN 2952	R 11702-6	X	X	R	
16	● WASHERS, Steel, Lock, 7/32-in. OD, 1/8-in. ID, .034-in. th.....	2	2	Z2	ZB/CAN 0694					R
17	● WASHERS, Shakeproof No. 1204.....	4	4	Z2	ZB/CAN 0344	RCA 59049-18 LR 15019-4	X	X	X	
18	● WASHERS, Shakeproof No. 1206.....	1	1	Z2	ZB/CAN 0345	RCA 59049-19 LR 15019-6	X	X	X	
	● AERIALS DUMMY, NO. C1	1	Z1	ZA/CAN 0677	PC 76418C-191		X	X	R	
19	BRAID, Copper, 3/16-in.....	8-in.	Z1	ZA 12673	PC 6055C					R
20	CLIPS, Battery, 25-Amp., No. C1.....	1	Z1	ZA/CAN 0679	PC 64523C-191					R
21	CORES, Iron, Aerials Dummy, No. C1.....	1	Z1	ZA/CAN 0680	PC 76418C-201					R
22	INSULATORS, Aerials Dummy, No. C1.....	2	Z1	ZA/CAN 0681	PC 76418C-202					R
23	● NUTS, ANF, Steel, Hex, 10-32.....	1	Z2	ZB/CAN 3243		X	X	R		
24	● SCREWS, ANC, Steel.....	1	Z2	ZB/CAN 3346						R
25	SLEEVES, Aerials Dummy, No. C1.....	1	Z1	ZA/CAN 0684	PC 76418C-206					R
26	STEMS, Aerials Dummy, No. C1.....	1	Z1	ZA/CAN 0685	PC 76418C-204					R
27	● WASHERS, Shakeproof No. 1210.....	2	Z2	ZB/CAN 0347	RCA 59049-21		X	X	X	
ANTENNAE RODS										
28	● Antennae Rods, "F" :- Sections, No. C1.....	1	Z1	ZA/CAN 0699	RCA 110074-1		X	X	R	
29	● Antennae Rods, "F" :- Sections, No. C2.....	1	Z1	ZA/CAN 0700	RCA 110074-2		X	X	R	
30	● Antennae Rods, "F" :- Sections, No. C3.....	1	Z1	ZA/CAN 0701	RCA 110074-3		X	X	R	
31	● Antennae Rods, "G" :- Sections.....	1	Z1	ZA 1771	PC 90767C		X	X	R	

● These items only are carried in Ordnance as Spares. Full designation and V.A.O.S. number MUST be quoted on indents.



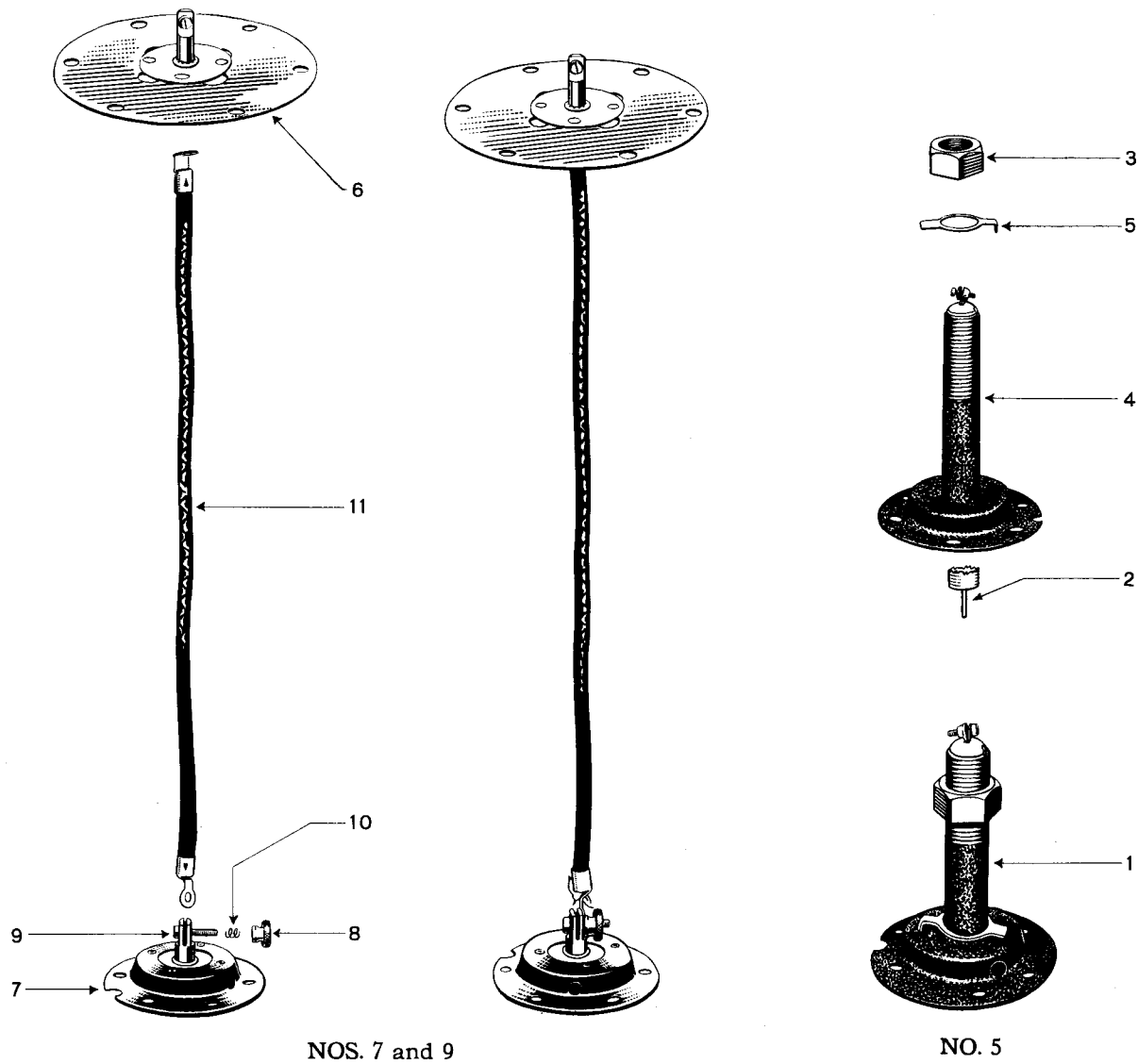
AERIALS

Det. No.	DESIGNATION	No. per Illus.	V. A. O. S.		Manufacturers Number	Cir. Ref.	Repair Schedule			
			Sect.	Number			Unit	Echelon		
								1st	2nd	4th
AERIALS										
	AERIALS, 70-FT., NO. 1		Z1	ZA 11530	PC 64476		R	R	R	
1	INSULATORS, W/T, Chain, Small, 3-link.....	2	Z1	ZA 4444	PC 82495 C-252					X
2	LINKS, Metal, Split, 1.1/4-in. x 7/8-in....	2	Z1	ZA/CAN 0948	SEE 26914		R	R	R	
3	PLUGS, Aerial, Single, No. Cl.....	1	Z1	ZA/CAN 1480	PC 32496					R
4	REELS, Aerial, No. 4.....	1	Z1	ZA 10049	SEE 26938				R	R
5	WIRE, Electric, Single, No. 12.....	10'3"	W2	WB/CAN 4009			R	R	R	R
6	WIRE, Electric, R.4, Mk I.....	60'6"	W2	WB 1057			R	R	R	R
The following Aerials are similar to Aerial, 70ft., No. 1, differing only in length.										
	AERIALS, 90-FT., NO. 1		Z1	ZA 11531	PC 64475		R	R	R	
	WIRE, Electric, Single, No. 12.....	10'3"	W2	WB/CAN 4009			R	R	R	R
	WIRE, Electric, R.4, Mk I.....	80'6"	W2	WB 1057			R	R	R	R
	AERIALS, 110-FT., NO. 1		Z1	ZA 11532	PC 64474		R	R	R	
	WIRE, Electric, Single, No. 12.....	10'3"	W2	WB/CAN 4009			R	R	R	R
	WIRE, Electric, R.4, Mk I.....	100'6"	W2	WB 1057			R	R	R	R
	AERIALS, 150-FT., NO. 2		Z1	ZA 11533	PC 64473		R	R	R	
	WIRE, Electric, Single, No. 12.....	10'3"	W2	WB/CAN 4009			R	R	R	R
	WIRE, Electric, R.4, Mk I.....	140'6"	W2	WB 1057			R	R	R	R
	AERIALS, 185-FT., NO. 1		Z1	ZA 11534	PC 64472		R	R	R	
	WIRE, Electric, Single, No. 12.....	10'3"	W2	WB/CAN 4009			R	R	R	R
	WIRE, Electric, R.4, Mk I.....	175'6"	W2	WB 1057			R	R	R	R
	AERIALS, 250-FT., NO. 1		Z1	ZA 11535	PC 64471		R	R	R	
	WIRE, Electric, Single, No. 12.....	10'3"	W2	WB/CAN 4009			R	R	R	R
	WIRE, Electric, R.4, Mk I.....	240'6"	W2	WB 1057			R	R	R	R



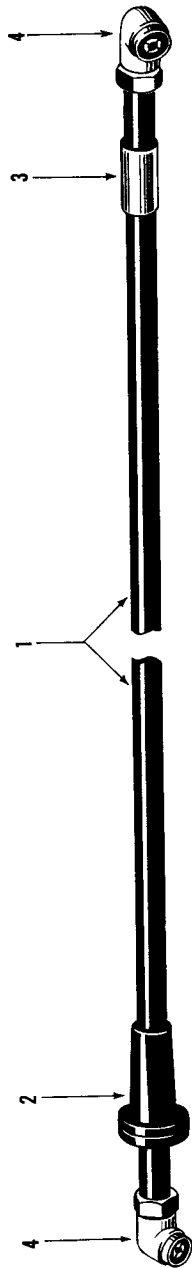
AERIAL FEEDER ASSEMBLIES

Det. No.	DESIGNATION	No. per Illus.	V. A. O. S.		Manufacturers Number	Cir. Ref.	Repair Schedule			
			Sect.	Number			Unit	Echelon		
								1st	2nd	4th
AERIAL FEEDER ASSEMBLIES										
	● AERIAL FEEDER ASSEMBLIES No. 1	1	Z1	ZA 2990	PC 76486 C		X	R	R	
1	● CABLE, Co-Axial, PT4M.....	16"	W2	WB/CAN 0718	PC 6079 C		X	X	R	
2	FERRULES, Copper, 3/32-in. OD, 3/64-in. ID, 0.372-in. long.....	2	Z1	ZA/CAN 0725	PC 32008 C					R
3	PLATES, Adaptor, Aerial Feeder, 3.1/8-in. OD.....	1	Z1	ZA/CAN 1337	PC 76545 C					R
4	SCREWS, Brass, Clamping, Sockets Co-Axial, 5/8-in. af.....	1	Z1	ZA/CAN 0721	PC 31771 C/A					R
5	SLEEVS, Brass, Sockets Co-Axial, 1 1/32-in. ID.....	1	Z1	ZA/CAN 0722	PC 31774 C					R
6	SLEEVEING, Rubber, Blk, 13/32-in. OD, 5/16-in. ID.....	2.1/2"	Z1	ZA/CAN 0875						R
7	SLEEVEING, Sponge-Rubber, 3/4-in. OD, 1.1/2-in. long.....	1	Z1	ZA/CAN 0326	PC 90653 C					R
8	WIRELESS SETS, NO. 19:- AERIAL FEEDERS:- CONNECTOR PLATES, No. 2.....	1	Z1	ZA 10288						R
	● AERIAL FEEDER ASSEMBLIES No. 2	1	Z1	ZA 2991	PC 76487 C		X	R	R	
9	BUSHINGS, Rubber, 5/8-in. OD, 5/16-in. ID, 3/4-in. long.....	1	Z1	ZA/CAN 1339	PC 90652 C					R
10	BUSHINGS, Rubber, 25/32-in. OD, 5/16-in. ID, 3/4-in. long.....	1	Z1	ZA/CAN 1340	PC 90654 C					R
11	● CABLE, Co-Axial, PT4M.....	8.5/4"	W2	WB/CAN 0718	PC 6079 C		X	X	R	
12	FERRULES, Copper, 3/32-in. OD, 3/64-in. ID, 0.372-in. long.....	2	Z1	ZA/CAN 0725	PC 32008 C					R
13	PLATES, Adaptor, Aerial Feeder, 3.1/8-in. OD.....	1	Z1	ZA/CAN 1337	PC 76545 C					R
14	SCREWS, Brass, Clamping, Sockets Co-Axial, 5/8-in. af.....	1	Z1	ZA/CAN 0721	PC 31771 C/A					R
15	SLEEVS, Brass, Sockets Co-Axial, 1 1/32-in. ID.....	1	Z1	ZA/CAN 0722	PC 31774 C					R
16	SLEEVEING, Rubber, Blk, 13/32-in. OD, 5/16-in. ID.....	2.1/8"	Z1	ZA/CAN 0875						R
17	SLEEVEING, Sponge-Rubber, 3/4-in. OD, 1.1/2-in. long.....	1	Z1	ZA/CAN 0326	PC 90653 C					R
18	WIRELESS SETS, NO. 19:- AERIAL FEEDERS:- CONNECTOR PLATES, No. 2.....	1	Z1	ZA 10288						R
	● AERIAL FEEDER ASSEMBLIES No. 3	1	Z1	ZA 2992	PC 76488 C		X	R	R	
	● CABLE, Co-Axial, PT4M.....	22"	W2	WB/CAN 0718	PC 6079 C		X	X	R	
	(THIS ASSEMBLY IS IDENTICAL TO AERIAL FEEDER ASSEMBLIES, No. 1, BUT LACKS SLEEVEING, SPONGE-RUBBER, 3/4-in. OD, 1.1/2-in. LONG AND HAS A LONGER PIECE OF CABLE, CO-AXIAL, PT4M, AS SHOWN ABOVE.)									
	● AERIAL FEEDER ASSEMBLIES No. 4	1	Z1	ZA 2957	PC 76479 C		X	R	R	
19	FERRULES, Copper, 3/32-in. OD, 3/64-in. ID, 0.372-in. long.....	1	Z1	ZA/CAN 0725	PC 32008 C					R
20	NUTS, BSW, Steel, Hex, 11/16-26.....	1	Z2	ZE/CAN 1343	PC 32220 C					R
21	PLATES, Adaptor, Aerial Feeder, 3.1/8-in. OD, No. C2.....	1	Z1	ZA/CAN 1346						R
22	WASHERS, Tab, 15/16-in. OD, 23/32-in. ID, .050-in. thick.....	1	Z1	ZA/CAN 1344	PC 47448 C					R
	● These items only are carried in Ordnance as Spares. Full designation and V.A.O.S. number MUST be quoted on indents.									

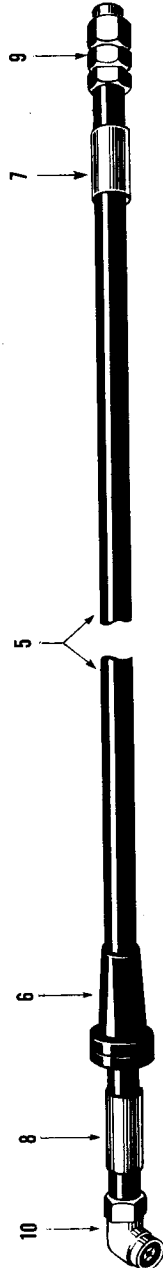


AERIAL FEEDER ASSEMBLIES

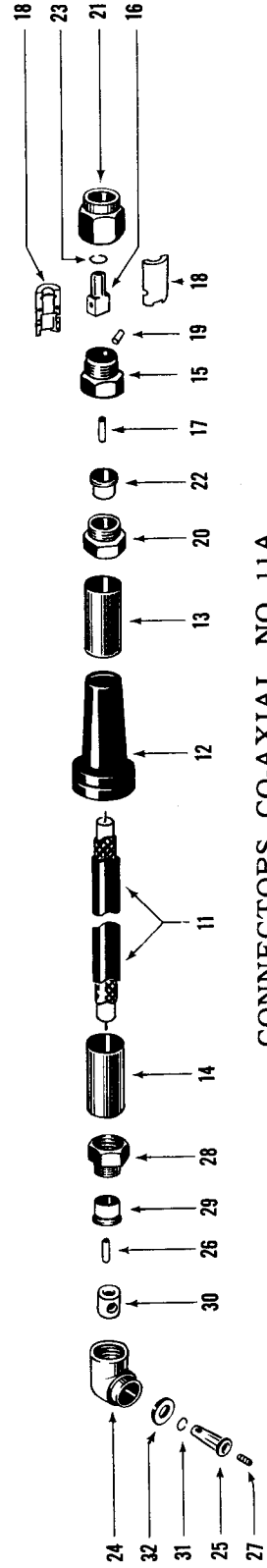
Det. No.	DESIGNATION	No. per Illus.	V. A. O. S.		Manufacturers Number	Cir. Ref.	Repair Schedule			
			Sect.	Number			Unit	Echelon		
								1st	2nd	4th
AERIAL FEEDER ASSEMBLIES										
1	● AERIAL FEEDER ASSEMBLIES No. 5	1	Z1	ZA 2958	PC 76480 C		X	R	R	
2	FERRULES, Copper, 3/32-in. OD, 3/64-in. ID, 0.372-in. long.....	1	Z1	ZA/CAN 0725	PC 32008 C					R
3	NUTS, BSW, Steel, Hex, 11/16-26.....	1	Z2	ZB/CAN 1343	PC 32220					R
4	PLATES, Adaptor, Aerial Feeder, 3/8-in. OD, No. C3.....	1	Z1	ZA/CAN 1347						R
5	WASHERS, Tab, 15/16-in. OD, 23/32-in. ID, .050-in. thick.....	1	Z1	ZA/CAN 1344	PC 47448 C					R
● WIRELESS SETS, NO. 19:- AERIAL FEEDER ASSEMBLIES No. 7										
AERIAL FEEDERS:- CONNECTOR PLATES, No. 1.....										
7		1	Z1	ZA 10204	PC 76344 C		X	X	R	
AERIAL VARIOMETERS:- PLATES ADAPTOR, No. 2.....										
8		1	Z1	ZA 10313	PC 76696		X	R	R	
9	NUTS, BA, Brass, Knurled, No. 4, 1/2-in. Dia.....	1	Z2	ZB/CAN 1354	PC 30717 C					R
10	SCREWS, BA, Steel, Ch H, No. 4 x 3/4-in....	1	Z2	ZB/CAN 2874	PC 30131					R
11	WASHERS, Steel, Spring, 5/16-in. OD, 5/32-in. ID, .03-in. thick.....	1	Z2	ZB/CAN 0888	PC 71108					R
	CONNECTORS, Single, 16-in.....	1	Z1	ZA/CAN 1351						R
● WIRELESS SETS, NO. 19:- AERIAL FEEDER ASSEMBLIES No. 9										
	CONNECTORS, Single, 39-in.....	1	Z1	ZA 10312	PC 76697 C		X	R	R	
	NOTE:- This Assembly is identical to W/S No. 19:- Aerial Feeder Assemblies, No. 7, with the exception of Connector Length as shown.	1	Z1	ZA/CAN 1353						R
● These items only are carried in Ordnance as Spares. Full designation and V.A.O.S. number MUST be quoted on indents.										



CONNECTORS, CO-AXIAL, NO. 10



CONNECTORS, CO-AXIAL, NO. 11

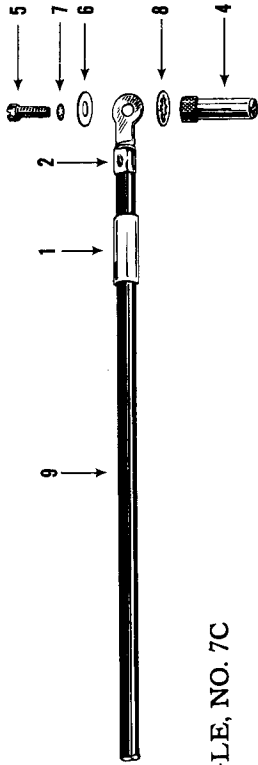


CONNECTORS, CO-AXIAL, NO. 11A

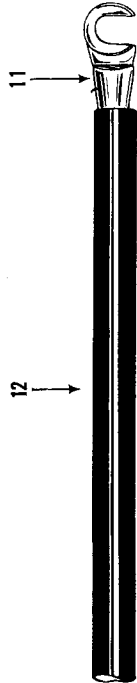
CONNECTORS, CO-AXIAL

Det. No.	DESIGNATION	No. per Illus.	V. A. O. S.		Manufacturers Number	Cir. Ref.	Repair Schedule			
			Sect.	Number			Unit	Echelon		
								1st	2nd	4th
CONNECTORS, CO-AXIAL										
● CONNECTORS, CO-AXIAL, NO. 10										
1	CABLE, Co-Axial, PT4M.....	42-In.	Z1	ZA 3141	PC 76421 C					
2	GROMMETS, Sleeve, 7/16-in. ID, 2-in. Long...	1	W2	WB/CAN 0718	PC 6079 C	X	R	R	R	R
3	LABELS, Connectors Co-Axial No. 10.....	1	Z1	ZA/CAN 0719	PC 90816 C-192					
4	LABELS, Connectors Co-Axial No. 10.....	1	Z1	ZA/CAN 0720	PC 90797 C/G	R	R	R	R	R
4	SOCKETS, Zinc, Right Angle, Co-Axial, 11/32-in. ID.....	2	Z1	ZA/CAN 0726	PC 75511 C					R
● CONNECTORS, CO-AXIAL, NO. 11										
5	CABLE, Co-Axial, PT4M.....	50-In.	Z1	ZA 3142	PC 76422 C	X	R	R	R	R
6	GROMMETS, Sleeve, 7/16-in. ID, 2-in. Long...	1	W2	WB/CAN 0718	PC 6079 C	EX	R	R	R	R
7	LABELS, Connectors Co-Axial No. 11.....	1	Z1	ZA/CAN 0719	PC 90816 C-192					
8	LABELS, 7/16-in., "Tuned Length Do Not Cut".....	1	Z1	ZA/CAN 0840	PC 90797 C/H	R	R	R	R	R
9	LABELS, 7/16-in., "Tuned Length Do Not Cut".....	1	Z1	ZA/CAN 1760	PC 90692 C/A	R	R	R	R	R
9	SOCKETS, Brass, Straight, Co-Axial, 11/32-in. ID.....	1	Z1	ZA/CAN 0833	PC 75509 C					R
10	SOCKETS, Zinc, Right Angle, Co-Axial, 11/32-in. ID.....	1	Z1	ZA/CAN 0726	PC 75511 C					R
● CONNECTORS, CO-AXIAL, NO. 11A										
11	CABLE, Co-Axial, PT4M.....	84-In.	Z1	ZA 3143	PC 76460 C	X	R	R	R	R
12	GROMMETS, Sleeve, 7/16-in. ID, 2-in. Long...	1	W2	WB/CAN 0718	PC 6079 C	X	R	R	R	R
13	LABELS, Connectors Co-Axial No. 11A.....	1	Z1	ZA/CAN 0719	PC 90816 C-192					
14	LABELS, 7/16-in., "Tuned Length - Do Not Cut".....	1	Z1	ZA/CAN 0841	PC 90797 C/J	R	R	R	R	R
14	LABELS, 7/16-in., "Tuned Length - Do Not Cut".....	1	Z1	ZA/CAN 1760	PC 90692 C/A	R	R	R	R	R
14	SOCKETS, Brass, Straight, Co-Axial, 11/32-in. ID.....	1	Z1	ZA/CAN 0833	PC 75509 C					R
15	BODIES, Brass, Sockets Straight Co-Axial, 5/8-in. af.....	1	Z1	ZA/CAN 0836	PC 32139 C					R
16	CONTACTS, Brass, Sockets Straight Co-Axial..	1	Z1	ZA/CAN 0834	PC 32137 C					R
17	FERRULES, Copper, 3/32-in. OD, 3/64-in. ID, 0.372-in. long.....	1	Z1	ZA/CAN 0725	PC 32008 C					R
18	INSULATORS, Styramic, Sockets Straight Co-Axial.....	2	Z1	ZA/CAN 0837	PC 55460 C					R
19	SCREWS, BA, Steel, Grub, Flat Point, No. 6 x 5/32-in.....	1	Z2	ZB/CAN 0724	PC 31576 C					R
20	SCREWS, Brass, Clamping, Sockets Co-Axial, 5/8-in. af.....	1	Z1	ZA/CAN 0721	PC 31771 C/A					R
21	SHELLS, Brass, Sockets Straight Co-Axial, 5/8-in. af.....	1	Z1	ZA/CAN 0835	PC 32138 C					R
22	SLEEVES, Brass, Sockets Co-Axial, 11/32-in. ID.....	1	Z1	ZA/CAN 0722	PC 31774 C					R
23	SPRINGS, Steel, Ring, Sockets Co-Axial, 11/64-in. ID.....	1	Z1	ZA/CAN 0723	PC 90198 C					R
24	SOCKETS, Zinc, Right Angle Co-Axial, 11/32-in. ID.....	1	Z1	ZA/CAN 0726	PC 75511 C					R
24	BODIES, Zinc, Sockets Right Angle Co-Axial, 11/32-in. ID.....	1	Z1	ZA/CAN 0727	PC 59021 C					R
25	CONTACTS, Brass, Sockets Right Angle Co-Axial, 19/32-in. Long.....	1	Z1	ZA/CAN 0728	PC 31577 C					R
26	FERRULES, Copper, 3/32-in. OD, 3/64-in. ID, 0.372-in. long.....	1	Z1	ZA/CAN 0725	PC 32008 C					R
27	SCREWS, BA, Steel, Grub, Flat Point, No. 6 x 5/32-in.....	1	Z2	ZB/CAN 0724	PC 31576 C					R
28	SCREWS, Brass, Clamping, Sockets Co-Axial, 5/8-in. af.....	1	Z1	ZA/CAN 0721	PC 31771 C/A					R
29	SLEEVES, Brass, Sockets Co-Axial, 11/32-in. ID.....	1	Z1	ZA/CAN 0722	PC 31774 C					R
30	SPACERS, Styramic, Sockets Right Angle Co-Axial.....	1	Z1	ZA/CAN 0729	PC 55410 C					R
31	SPRINGS, Steel, Ring, Sockets Co-Axial, 11/64-in. ID.....	1	Z1	ZA/CAN 0723	PC 90198 C					R
32	WASHERS, Styramic, 7/16-in. OD, 3/16-in. ID, 0.1-in. Thick.....	1	Z1	ZA/CAN 0730	PC 55405 C					R

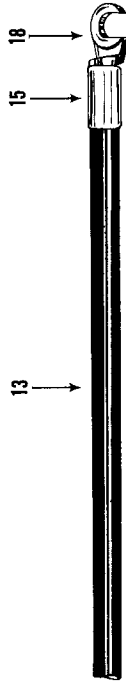
● These items only are carried in Ordnance as Spares. Full designation and V.A.O.S. number MUST be quoted on indents.



CONNECTORS, SINGLE, NO. 7C



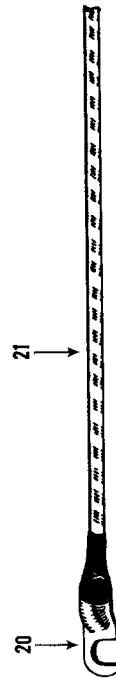
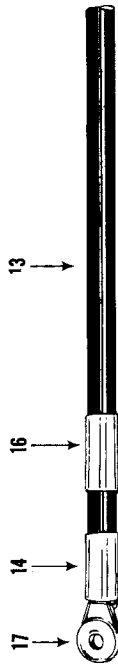
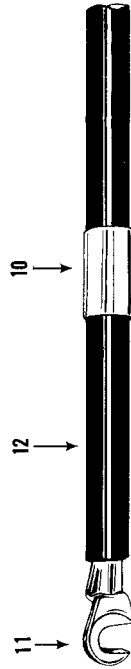
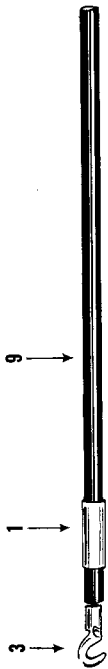
CONNECTORS, SINGLE, NO. 23 and 23A



CONNECTORS, SINGLE, NO. 24, 24A, 24B, 24C

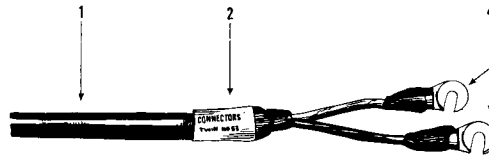
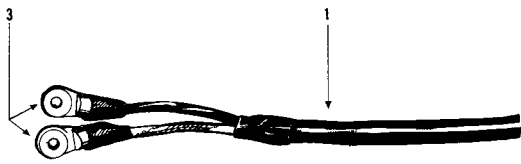


CONNECTORS, SINGLE, NO. 194

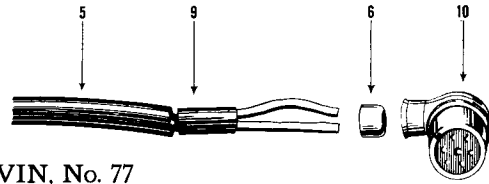
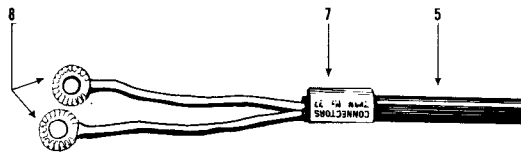


CONNECTORS, SINGLE

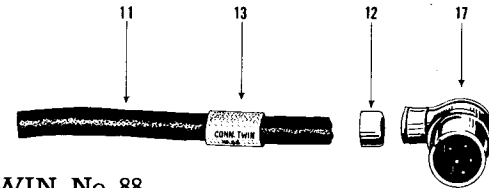
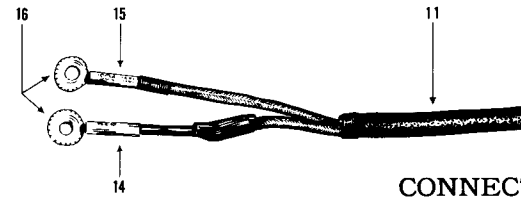
Det. No.	DESIGNATION	No. per Illus.	V. A. O. S.		Manufacturers Number	Cir. Ref.	Repair Schedule			
			Sect.	Number			Unit	Echelon		
								1st	2nd	4th
CONNECTORS, SINGLE										
	● CONNECTORS, SINGLE, NO. 33		Z1	ZA 10320	PC 82516 C		X	R	R	
1	LABELS, Connectors Single No. 33.....	2	Z1	ZA/CAN 1421	RCA 111758-24		R	R	R	
2	LUGS, Ross-Courtney Type WE 505.....	1	W2	WB/CAN 0784	PC 90762 C		X	R	R	
3	LUGS, Solder, 10-Amp, 5/32-in. Side Slot...	1	W2	WB/CAN 1418	PC 64513 C		X	R	R	
4	NUTS, BA, Brass, Knurled, No. 2, Special...	1	Z1	ZA/CAN 1422	P 31869		X	X	R	
5	RINGS, Steel, Keep, 5/16-in. ID.....	1	Z1	ZA/CAN 1423	P 90300		X	X	R	
6	SCREWS, BA, Brass, Ch H, No. 2 x 1-in., Special.....	1	Z1	ZA/CAN 1424	PC 33345		X	X	R	
7	WIRE, Electric, Single, No. 18.....	3	W2	WB/CAN 4012			X	R	R	
CONNECTORS, SINGLE, NO. 191										
	● CONNECTORS, SINGLE, NO. 191		Z1	ZA/CAN 1445	PC 76956 C-191		X	R	R	
8	LUGS, Ross-Courtney Type WE 503.....	1	W2	WB/CAN 0740	PC 90791 C				R	
9	LUGS, Ross-Courtney Type WE 505.....	1	W2	WB/CAN 0784	PC 90762 C		X	R	R	
10	LUGS, Solder, 15-Amp, 1/4-in. End Slot.....	1	W2	WB/CAN 0329	R 15246				R	
11	SLEEVING, Yellow, Varnished Cambric, 0.106-in. ID.....	4"	W2	WB/CAN 1442	R 15199-10		X	R	R	
12	WIRE, Hook-up, 600-V, 18 B & S, Stranded, Shielded, Braided.....	4'5"	W2	WB/CAN 4047	PC 6045 C-181				R	
CONNECTORS, SINGLE, NO. 192										
	● CONNECTORS, SINGLE, NO. 192		Z1	ZA/CAN 1448	PC 76956 C-192		X	R	R	
13	LUGS, Ross-Courtney Type WE 503.....	2	W2	WB/CAN 0740	PC 90791 C				R	
14	LUGS, Solder, 15-Amp, 3/8-in. Hole.....	1	W2	WB/CAN 1449	R 15252				R	
15	SLEEVING, Yellow, Varnished Cambric, 0.106-in. ID.....	3"	W2	WB/CAN 1442	R 15199-10		X	R	R	
16	WIRE, Hook-up, 600-V, 18 B & S, Stranded, Shielded, Braided.....	2'2"	W2	WB/CAN 4047	PC 6045 C-181				R	
CONNECTORS, SINGLE, NO. 193										
	● CONNECTORS, SINGLE, NO. 193		Z1	ZA/CAN 1450	PC 76956 C-193		X	R	R	
17	LABELS, Connectors Single No. 193.....	1	Z1	ZA/CAN 1447	PC 71368 C-1913		R	R	R	
18	LUGS, Ross-Courtney Type WE 505.....	1	W2	WB/CAN 0784	PC 90762 C		X	R	R	
19	LUGS, Solder, 15-Amp, 1/4-in. End Slot.....	1	W2	WB/CAN 0329	R 15246				R	
20	SLEEVING, Yellow, Varnished Cambric, 0.106-in. ID.....	9"	W2	WB/CAN 1442	R 15199-10		X	R	R	
21	WIRE, Hook-up, 600-V, 18 B & S, Stranded, Shielded, Braided.....	1'4"	W2	WB/CAN 4047	PC 6045 C-181				R	
CONNECTORS, SINGLE, NO. 195										
	● CONNECTORS, SINGLE, NO. 195		Z1	ZA/CAN 1451	PC 76956 C-195		X	R	R	
22	LABELS, Connectors Single No. 195.....	1	Z1	ZA/CAN 1453	PC 71368 C-1915		R	R	R	
23	LUGS, Ross-Courtney Type WE 505.....	2	W2	WB/CAN 0784	PC 90762 C		X	R	R	
24	SLEEVING, Yellow, Varnished Cambric, 0.106-in. ID.....	4.1/4"	W2	WB/CAN 1442	R 15199-10		X	R	R	
25	WIRE, Hook-up, 600-V, 20 B & S, Stranded, Shielded, Braided (White/Brown T).....	5.1/4"	W2	WB/CAN 4048	PC 6045 C-241				R	
<p>NOTE:- Connectors, Single, Nos. 191, 192, 193 and 195 have a piece of Braid, Copper, 1/8-in.-- ZA/CAN 0330 cut to length, underneath the yellow cambric sleeving.</p>										
<p>● These items only are carried in Ordnance as Spares. Full designation and V.A.O.S. number MUST be quoted on indents.</p>										



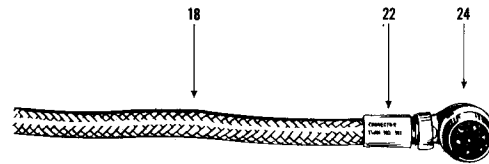
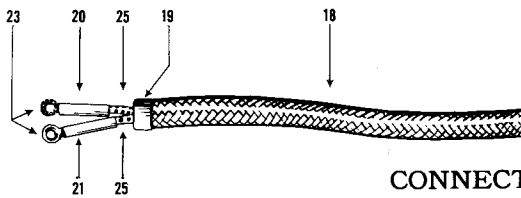
CONNECTORS, TWIN, No. 53



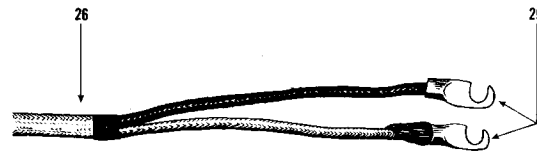
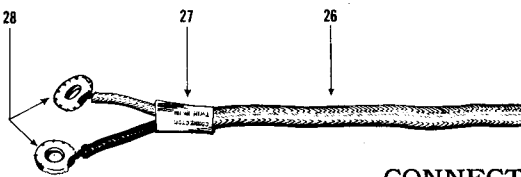
CONNECTORS, TWIN, No. 77



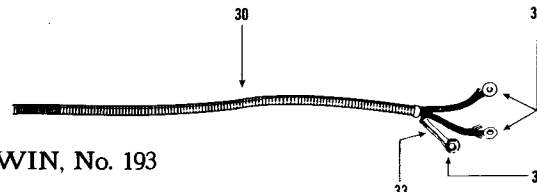
CONNECTORS, TWIN, No. 88



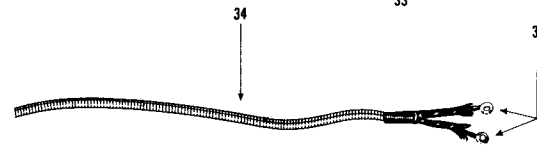
CONNECTORS, TWIN, No. 191



CONNECTORS, TWIN, No. 192



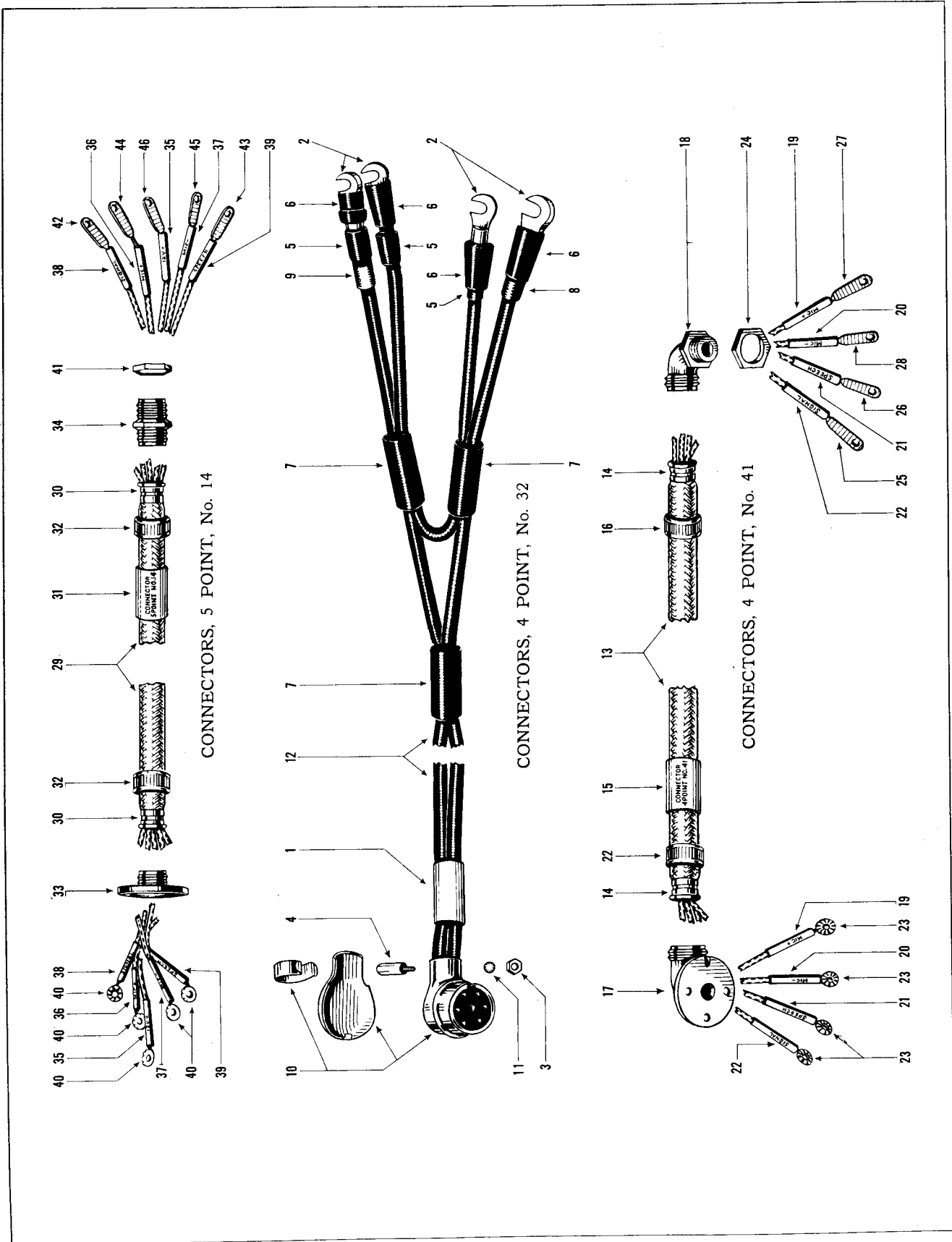
CONNECTORS, TWIN, No. 193



CONNECTORS, TWIN, No. 194

CONNECTORS, TWIN

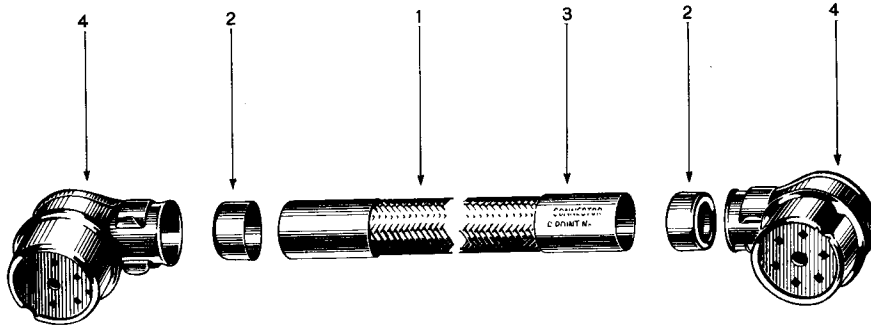
Det. No.	DESIGNATION	No. per Illus.	V. A. O. S.		Manufacturers Number	Cir. Ref.	Repair Schedule			
			Sect.	Number			Unit	Echelon		
								1st	2nd	4th
CONNECTORS, TWIN										
	● CONNECTORS, TWIN, NO. 53		Z1	ZA 2794	PC 64484 C		X	X	R	
1	CABLE, Electric, Double, No. 10.....	30	1/4"	W2	WB/CAN 4013					R
2	LABELS, Connectors Twin No. 53.....	1		Z1	ZA/CAN 1408	RCA 111758-28				R
3	LUGS, Solder, 50-Amp, 1/4-in. hole.....	2		W2	WB/CAN 1372	PN 21665				R
4	LUGS, Solder, 50-Amp, 1/4-in. Side Slot....	2		W2	WB/CAN 1409	RCA 111773-1		X		R
	● CONNECTORS, TWIN, NO. 77		Z1	ZA/CAN/BR 10210	PC 76350 C		X	X	R	
5	CABLE, Electric, Double, No. 12.....	6	1/6"	W2	WB/CAN 4014					R
6	FERRULES, Tin, 3/4-in. OD, 7/16-in. long.....	1		Z1	ZA/CAN 0800	PC 90551 C				R
7	LABELS, Connectors Twin No. 77.....	1		Z1	ZA/CAN 0867	PC 90797 C/L				R
8	LUGS, Ross-Courtney Type WE 514.....	2		W2	WB/CAN 1228	PC 90763 C				R
9	SLEEVEING, Rubber, Black, 13/32-in. OD, 5/16-in. ID.....	1	5/16"	Z1	ZA/CAN 0875					R
10	SOCKETS, 6-Point, No. 5.....(See Index)	1		Z1	ZA/CAN/BR 10266	PC 75430 C		R	R	R
	WIRE, Bare, Tinned, Copper, 14 B & S, Solid.....	1	1"	W2	WB/CAN 4049					R
	● CONNECTORS, TWIN, NO. 88		Z1	ZA/CAN/BR 10242	PC 76716 C		X	X	R	
11	CABLE, Electric, Double, No. 12.....	2	1"	W2	WB/CAN 4014					R
12	FERRULES, Tin, 3/4-in. OD, 7/16-in. long.....	1		Z1	ZA/CAN 0800	PC 90551 C				R
13	LABELS, Connectors Twin No. 88.....	1		Z1	ZA/CAN 1307					R
14	LABELS, 1/4-in., "12 V. Pos.", No. C1.....	1		Z1	ZA/CAN 1309	PC 71368 C-199				R
15	LABELS, 1/4-in., "Neg.", No. C1.....	1		Z1	ZA/CAN 1308	PC 71368 C-198				R
16	LUGS, Ross-Courtney Type WE 514.....	2		W2	WB/CAN 1228	PC 90763 C				R
17	SOCKETS, 6-Point, No. 5.....(See Index)	1		Z1	ZA/CAN/BR 10266	PC 75430 C		R	R	R
	WIRE, Bare, Tinned, Copper, 14 B & S, Solid.....	1	1"	W2	WB/CAN 4049					R
	● CONNECTORS, TWIN, NO. 191		Z1	ZA/CAN 1475	PC 76551 C-191		X	X	R	
18	CONDUIT, Flexible, Screened, 1/2-in. ID....	50	50"	Z1	ZA/CAN 0799	PC 90754 C				R
19	FERRULES, Tin, 3/4-in. OD, 7/16-in. long.....	1		Z1	ZA/CAN 0800	PC 90551 C				R
20	LABELS, 1/4-in., "12 V. Pos.", No. C1.....	1		Z1	ZA/CAN 1309	PC 71368 C-199				R
21	LABELS, 1/4-in., "Neg.", No. C1.....	1		Z1	ZA/CAN 1308	PC 71368 C-198				R
22	LABELS, Connectors Twin No. 191.....	1		Z1	ZA/CAN 1650	PC 90797 C-193				R
23	LUGS, Ross-Courtney Type WE 513.....	2		W2	WB/CAN 1227	PC 90683 C				R
	SLEEVEING, Yellow, Varnished Cambric, 0.166-in. ID.....	3	3"	W2	WB/CAN 1504	R 15199-6				R
24	SOCKETS, 6-Point, No. 5.....(See Index)	1		Z1	ZA/CAN/BR 10266	PC 75430 C		R	R	R
25	WIRE, Hook-Up, 600-V, No. 12 B & S, Stranded, (White/Black T).....	8	1/6"	W2	WB/CAN 4035	PC 6000 C-0				R
	● CONNECTORS, TWIN, NO. 192		Z1	ZA/CAN 1410	PC 76551 C-192		X	X	R	
26	CABLE, Electric, Type RD, No. 12 B & S, Stranded.....	7	1/6"	W2	WB/CAN 4052					R
27	LABELS, Connectors Twin No. 192.....	1		Z1	ZA/CAN 1412	PC 71368 C-1910				R
28	LUGS, Ross-Courtney Type WE 514.....	2		W2	WB/CAN 1228	PC 90763 C				R
29	LUGS, Solder, 50-Amp, 13/32-in. Side Slot.....	2		W2	WB/CAN 1361	PC 64219 C-191 PN 23527				R
	● CONNECTORS, TWIN, NO. 193		Z1	ZA/CAN 1439	PC 76551 C-193		X	X	R	
30	CABLE, Electric, GR-S, 2-Cond, Shielded.....	4	1"	W2	WB/CAN 4028					R
	BRAID, Copper, 1/8-in.....	2	1/2"	Z1	ZA/CAN 0330	K 1829				R
31	LABELS, Connectors Twin No. 193.....	1		Z1	ZA/CAN 1440	F				R
32	LUGS, Ross-Courtney Type WE 501.....	3		W2	WB/CAN 0811	PC 90792 C				R
33	SLEEVEING, Yellow, Varnished Cambric, 0.106-in. ID.....	1	1"	W2	WB/CAN 1442	R 15199-10				R
	● CONNECTORS, TWIN, NO. 194		Z1	ZA/CAN 1443	PC 76551 C-194		X	X	R	
34	CABLE, Electric, GR-S, 2-Cond, Shielded....	5	1/4"	W2	WB/CAN 4028					R
35	LABELS, Connectors Twin No. 194.....	1		Z1	ZA/CAN 1444					R
36	LUGS, Ross-Courtney Type WE 501.....	2		W2	WB/CAN 0811	PC 90792 C				R
● These items only are carried in Ordnance as Spares. Full designation and V.A.O.S. number MUST be quoted on indents.										



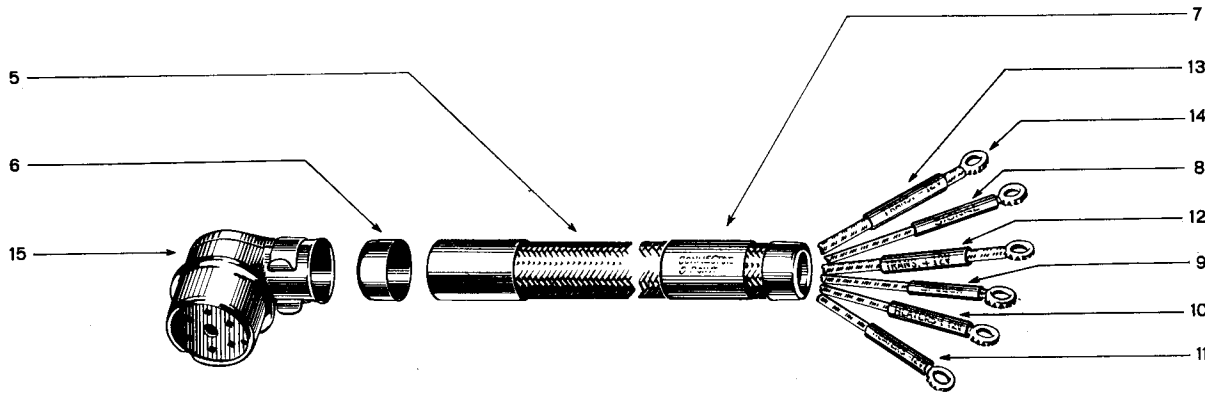
CONNECTORS, 4-POINT AND 5-POINT

Det. No.	DESIGNATION	No. per Illus.	V. A. O. S.		Manufacturers Number	Cir. Ref.	Repair Schedule			
			Sect.	Number			Unit	Echelon		
								1st	2nd	4th
CONNECTORS, 4-POINT AND 5-POINT										
	● CONNECTORS, 4-POINT, NO. 32		Z1	ZA/CAN/BR 10311	PC 82494 C		X	R	R	
1	LABELS, Connectors 4-Point No. 32.....	1	Z1	ZA/CAN 0871	RCA 111758-23		R	R	R	
2	● LUGS, Solder, 50-Amp, 11/32-in. Side Slot.....	4	W2	WB/CAN 0872	PC 64291		X	X	R	R
3	NUTS, ANF, Steel, Hex, 10-32.....	1	Z2	ZB/CAN 3243					R	R
4	PILLARS, Metal, Anchoring, No. C1.....	1	Z1	ZA/CAN 0873	RCA 111771-1				R	R
5	SLEEVING, Rubber, Blk, 1/4-in. OD, 3/16-in. ID.....	5-in.	Z1	ZA/CAN 0876					R	
6	SLEEVING, Rubber, Blk, 13/32-in. OD, 5/16-in. ID.....	4.3/4-in.	Z1	ZA/CAN 0875					R	
7	SLEEVING, Rubber, Blk, 1/2-in. OD, 7/16-in. ID.....	12-in.	Z1	ZA/CAN 0874					R	
8	SLEEVING, Rubber, Red, 1/4-in. OD, 3/16-in. ID.....	1-in.	Z1	ZA/CAN 0877					R	
9	SLEEVING, Rubber, White, 7/32-in. OD, 3/16-in. ID.....	1-in.	Z1	ZA/CAN 0878					R	
10	● SOCKETS, 6-Point, No. 5 (See Index).....	1	Z1	ZA/CAN/BR 10266	PC 75430 C		R	R	R	
11	● WASHERS, Shakeproof No. 1210.....	1	Z2	ZB/CAN 0347	RCA 59049-21 R 15019-10		X	X	X	R
12	WIRE, Electric, Single, No. 12.....	19-Ft.	W2	WB/CAN 4009					X	R
	● CONNECTORS, 4-POINT, NO. 41		Z1	ZA/CAN/BR 10512	PC 84285 C		X	R	R	
	● CONDUIT ASSEMBLIES, Connectors 4-Point No. 41.....	1	Z1	ZA/CAN 1764	PC 90754 C-192		X	R	R	
13	● CONDUIT, Flexible, Screened, 3/8-in. ID.....	7.1/8-in.	Z1	ZA/CAN 1107	PC 90754 C-191		X	R	R	
14	● FERRULES, Flanged, Pull-Up, 3/8-in. ID.....	2	Z1	ZA/CAN 1110	PC 6073 C		X	R	R	
15	LABELS, Connectors 4-Point No. 41.....	1	Z1	ZA/CAN 1129	PC 84285-191		R	R	R	
16	NUTS, Securing, ANF, Alum, 3/4-20 x 7/16-in.....	2	Z1	ZA/CAN 1114	PC 6074 C				R	
17	● COUPLINGS, 3/8-in. Bulkhead, 90°.....	1	Z1	ZA/CAN 1127	PC 6067 C		X	X	R	
18	● COUPLINGS, 3/8-in. Panel, 90°.....	1	Z1	ZA/CAN 1128	PC 6080 C		X	X	R	
19	● LABELS, 1/8-in. "Mic -", No. C1.....	2	Z1	ZA/CAN 1118	PC 71216 C-198		R	R	R	
20	● LABELS, 1/8-in. "Mic -", No. C1.....	2	Z1	ZA/CAN 1117	PC 71216 C-197		R	R	R	
21	● LABELS, 1/8-in. "Speech", No. C1.....	2	Z1	ZA/CAN 0810	PC 71368 C-193		R	R	R	
22	● LABELS, 1/8-in. "Signal", No. C1.....	2	Z1	ZA/CAN 0805	PC 71368 C-196		R	R	R	
23	LUGS, Ross-Courtney Type WE 505.....	4	W2	WB/CAN 0784	PC 90762 C				R	
24	● NUTS, Retaining, ANF, Alum, Hex, 3/4-20, 1/8-in. thick, 15/16-in. af....	1	Z1	ZA/CAN 1113	PC 6072 C		X	X	R	
25	● TAGS, Metal, 1-in, No. C4.....	1	Z1	ZA/CAN 1120	RCA 921786-5		X	X	R	
26	● TAGS, Metal, 1-in, No. C5.....	1	Z1	ZA/CAN 1121	RCA 921786-6		X	X	R	
27	● TAGS, Metal, 1-in, No. C1.....	1	Z1	ZA/CAN 1122	RCA 921786-1		X	X	R	
28	● TAGS, Metal, 1-in, No. C6.....	1	Z1	ZA/CAN 1123	RCA 921786-7		X	X	R	
	● CONNECTORS, 5-POINT, NO. 14		Z1	ZA/CAN/BR 10513	PC 84281 C		X	R	R	
	● CONDUIT ASSEMBLIES, Connectors 5-Point No. 14.....	1	Z1	ZA/CAN 1763	PC 90754 C-193		X	R	R	
29	● CONDUIT, Flexible, Screened, 3/8-in. ID.....	11-ft.2-in.	Z1	ZA/CAN 1107	PC 90754 C-191		X	R	R	
30	● FERRULES, Flanged, Pull-Up, 3/8-in. ID.....	2	Z1	ZA/CAN 1110	PC 6073 C		X	R	R	
31	LABELS, Connectors 5-Point No. 14.....	1	Z1	ZA/CAN 1111	PC 82481 C-191		R	R	R	
32	NUTS, Securing, ANF, Alum, 3/4-20 x 7/16-in.....	2	Z1	ZA/CAN 1114	PC 6074 C				R	
33	● COUPLINGS, 3/8-in. Bulkhead, Straight.....	1	Z1	ZA/CAN 1108	PC 6081 C		X	X	R	
34	● COUPLINGS, 3/8-in. Panel, Straight.....	1	Z1	ZA/CAN 1109	PC 6069 C		X	X	R	
35	● LABELS, 1/8-in. "12-V", No. C1.....	2	Z1	ZA/CAN 1119	PC 71216 C-1911		R	R	R	
36	● LABELS, 1/8-in. "Mic -", No. C1.....	2	Z1	ZA/CAN 1118	PC 71216 C-198		R	R	R	
37	● LABELS, 1/8-in. "Mic -", No. C1.....	2	Z1	ZA/CAN 1117	PC 71216 C-197		R	R	R	
38	● LABELS, 1/8-in. "Signal", No. C1.....	2	Z1	ZA/CAN 0805	PC 71368 C-196		R	R	R	
39	● LABELS, 1/8-in. "Speech", No. C1.....	2	Z1	ZA/CAN 0810	PC 71368 C-193		R	R	R	
40	LUGS, Ross-Courtney Type WE 505.....	5	W2	WB/CAN 0784	PC 90762 C				R	
41	● NUTS, Retaining, ANF, Alum, Hex, 3/4-20, 1/8-in. th, 15/16-in. af....	1	Z1	ZA/CAN 1113	PC 6072 C		X	X	R	
42	● TAGS, Metal, 1-in, No. C4.....	1	Z1	ZA/CAN 1120	RCA 921786-5		X	X	R	
43	● TAGS, Metal, 1-in, No. C5.....	1	Z1	ZA/CAN 1121	RCA 921786-6		X	X	R	
44	● TAGS, Metal, 1-in, No. C1.....	1	Z1	ZA/CAN 1122	RCA 921786-1		X	X	R	
45	● TAGS, Metal, 1-in, No. C6.....	1	Z1	ZA/CAN 1123	RCA 921786-7		X	X	R	
46	● TAGS, Metal, 1-in, No. C7.....	1	Z1	ZA/CAN 0850	RCA 921786-8		X	X	R	

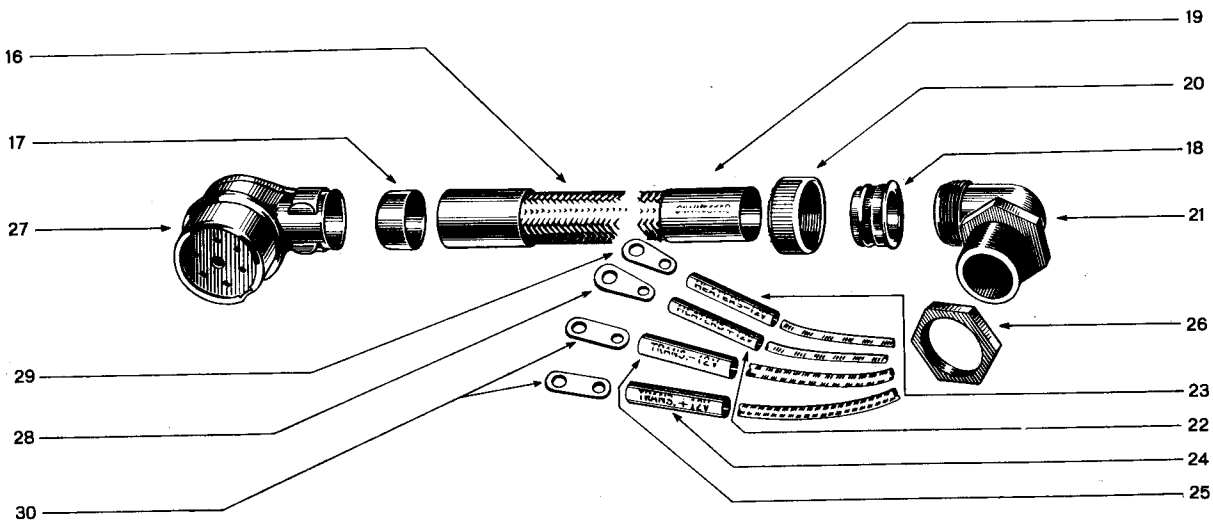
● These items only are carried in Ordnance as Spares. Full designation and V.A.O.S. number MUST be quoted on indents.



CONNECTORS, 6-POINT, NO. 4B



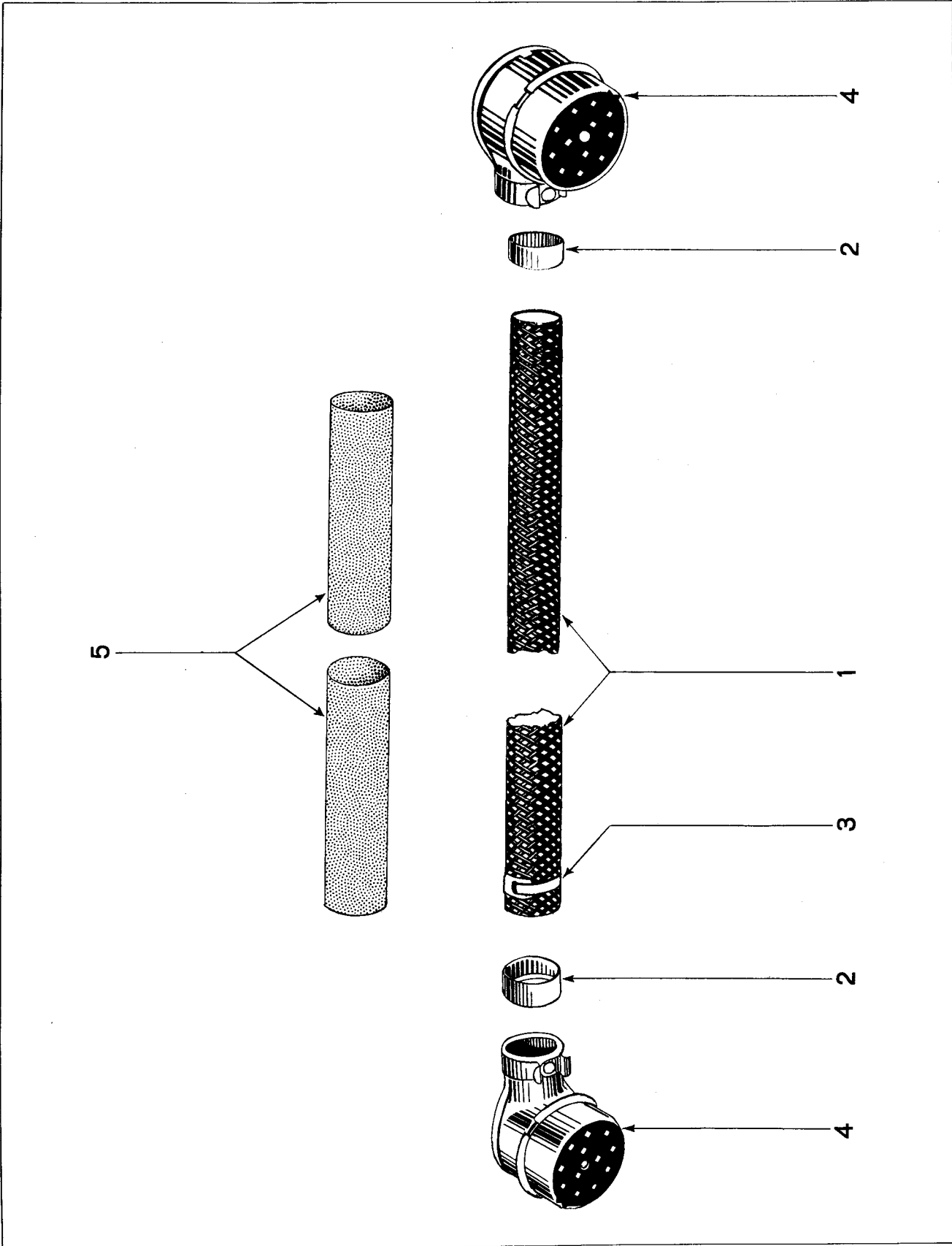
CONNECTORS, 6-POINT, NO. 8A



CONNECTORS, 4-POINT, NO. 40 MK 1

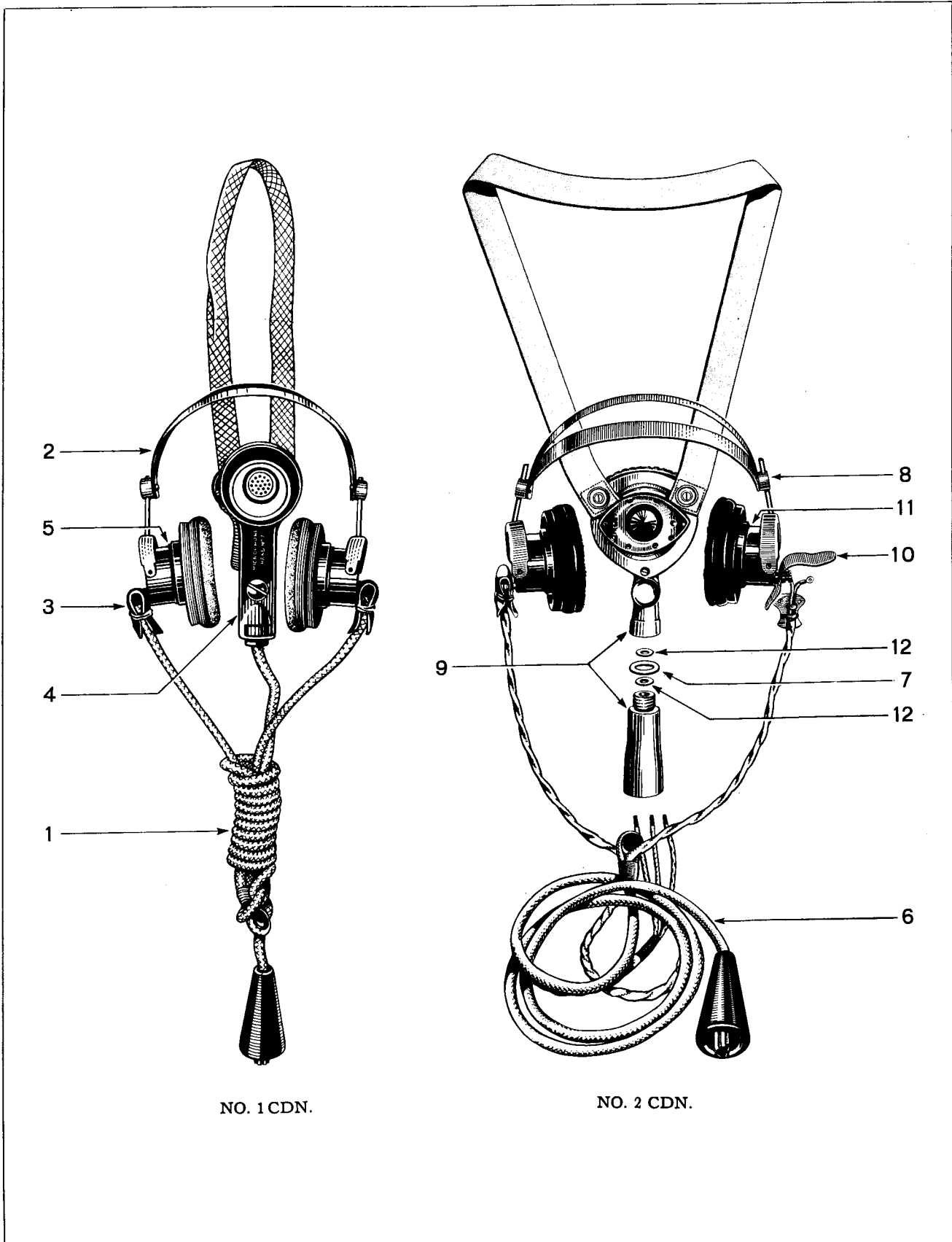
CONNECTORS, 4-POINT AND 6-POINT

Det. No.	DESIGNATION	No. per Illus.	V. A. O. S.		Manufacturers Number	Cir. Ref.	Repair Schedule			
			Sect.	Number			Unit	Echelon		
								1st	2nd	4th
CONNECTORS, 4-POINT AND 6-POINT										
1	● CONNECTORS, 6-POINT, NO. 4B		Z1	ZA/CAN/BR 10282	PC 76442 C/B		R	R	R	
2	● CONDUIT, Flexible, Screened, 1/2-in. ID.....3.1/2-in.	1	Z1	ZA/CAN 0799	PC 90754 C		X	X	X	
3	● FERRULES, Tin, 3/4-in. OD, 7/16-in. long.....	2	Z1	ZA/CAN 0800	PC 90551 C		X	X	R	
4	● LABELS, Connectors 6-Point No. 4 B.....	1	Z1	ZA/CAN 0801	PC 90797 C/T		R	R	R	
4	● SOCKETS, 6-Point, No. 5 (See Index).....	2	Z1	ZA/CAN/BR 10266	PC 75430 C		R	R	R	
5	● CONNECTORS, 6-POINT, NO. 8A		Z1	ZA/CAN/BR 1889	PC 76451 C/A		R	R	R	
6	● CONDUIT, Flexible, Screened, 1/2-in. ID....	5-ft.	Z1	ZA/CAN 0799	PC 90754 C		X	X	X	
7	● FERRULES, Tin, 3/4-in. OD, 7/16-in. long.....	2	Z1	ZA/CAN 0800	PC 90551 C		X	X	R	
8	● LABELS, Connectors 6-Point No. 8A.....	1	Z1	ZA/CAN 0830	PC 90797 C/X		R	R	R	
9	● LABELS, 1/8-in., "Signal", No. Cl.....	1	Z1	ZA/CAN 0805	PC 71368 C-196		R	R	R	
10	● LABELS, 1/8-in., "Speech", No. Cl.....	1	Z1	ZA/CAN 0810	PC 71368 C-193		R	R	R	
11	● LABELS, 1/8-in., "Heater 12 V", No. Cl....	1	Z1	ZA/CAN 0806	PC 71368 C-194		R	R	R	
12	● LABELS, 1/8-in., "Heater -12 V", No. Cl....	1	Z1	ZA/CAN 0807	PC 71368 C-192		R	R	R	
13	● LABELS, 1/4-in., "Trans. 12 V", No. Cl....	1	Z1	ZA/CAN 0808	PC 71368 C-195		R	R	R	
14	● LABELS, 1/4-in., "Trans. -12 V", No. Cl....	1	Z1	ZA/CAN 0809	PC 71368 C-197		R	R	R	
15	● LUGS, Ross-Courtney Type WE 505.....	6	W2	WB/CAN 0784	PC 90762 C					
15	● SOCKETS, 6-Point, No. 5 (See Index).....	1	Z1	ZA/CAN/BR 10266	PC 75430 C		R	R	R	
16	● CONNECTORS, 4-POINT, NO. 40, MK I		Z1	ZA/CAN/BR 10509	PC 84284		R	R	R	
16	● CONDUIT ASSEMBLIES, Connectors 4-Point No. 40.....	1	Z1	ZA/CAN 1840	PC 90754 C-194		X	X	X	
17	● CONDUIT, Flexible, Screened, 1/2-in. ID....	2-ft.	Z1	ZA/CAN 0799	PC 90754 C		X	X	X	
18	● FERRULES, Tin, 3/4-in. OD, 7/16-in. long.....	1	Z1	ZA/CAN 0800	PC 90551 C		X	X	R	
19	● FERRULES, 1/2-in., Flanged, AN 3050-8.....	1	Z1	ZA/CAN 0848	PC 6077 C		R	R	R	
20	● LABELS, Connectors 4-Point No. 40.....	1	Z1	ZA/CAN 0849	PC 84284-191		X	X	R	
21	● NUTS, Retaining, Knurled, AN 3054-8.....	1	Z1	ZA/CAN 0846	PC 6077 C		X	X	R	
22	● COUPLINGS, 1/2-in., Conduit, 90°, AN 3062-8.....	1	Z1	ZA/CAN 0845	PC 6082 C		X	X	R	
23	● LABELS, 1/8-in., "Heater 12 V", No. Cl....	1	Z1	ZA/CAN 0806	PC 71368 C-194		R	R	R	
24	● LABELS, 1/8-in., "Heater -12 V", No. Cl....	1	Z1	ZA/CAN 0807	PC 71368 C-192		R	R	R	
25	● LABELS, 1/4-in., "Trans. 12 V", No. Cl....	1	Z1	ZA/CAN 0808	PC 71368 C-195		R	R	R	
26	● LABELS, 1/4-in., "Trans. -12 V", No. Cl....	1	Z1	ZA/CAN 0809	PC 71368 C-197		R	R	R	
27	● NUTS, Locking, Hex, Coupling, Conduit 1/2-in.....	1	Z1	ZA/CAN 0847	PC 6076 C		X	X	R	
28	● SOCKETS, 6-Point, No. 5 (See Index).....	1	Z1	ZA/CAN/BR 10266	PC 75430 C		R	R	R	
29	● TAGS, Metal, 1-in., No. C2.....	1	Z1	ZA/CAN 0851	RCA 921786-3		X	R	R	
29	● TAGS, Metal, 1-in., No. C3.....	1	Z1	ZA/CAN 0852	RCA 921786-4		X	R	R	
30	● TAGS, Metal, 1-in., No. C7.....	2	Z1	ZA/CAN 0850	RCA 921786-8		X	R	R	
NOTE:- The following listed connectors are similar in construction to Connectors, 6-Point, No. 8 A; differing only in length of conduit or socket head position.										
	● CONNECTORS, 6-POINT, No. 8A1		Z1	ZA/CAN 1255	PC 76451 C/A1		R	R	R	
	● CONDUIT, Flexible, Screened, 1/2-in. ID....	5-ft.	Z1	ZA/CAN 0799	PC 90754 C		X	X	X	
	● LABELS, Connectors 6-Point No. 8 A 1.....	1	Z1	ZA/CAN 1112	PC 90797 C/D Det. 2		R	R	R	
	● CONNECTORS, 6-POINT, No. 8A2		Z1	ZA/CAN 0831	PC 76451 C/A2		R	R	R	
	● CONDUIT, Flexible, Screened, 1/2-in. ID....	5-ft.	Z1	ZA/CAN 0799	PC 90754 C		X	X	X	
	● LABELS, Connectors 6-Point No. 8 A 2.....	1	Z1	ZA/CAN 0832	PC 90797 C/D Det. 3		R	R	R	
	● CONNECTORS, 6-POINT, No. 12A		Z1	ZA/CAN/BR 10281	PC 76453 C/A					
	● CONDUIT, Flexible, Screened, 1/2-in. ID.....	5-ft. 6-in.	Z1	ZA/CAN 0799	PC 90754 C		X	X	X	
	● LABELS, Connectors 6-Point No. 12 A.....	1	Z1	ZA/CAN 0827	PC 90797 C/Z		R	R	R	
	● CONNECTORS, 6-POINT, No. 12A1		Z1	ZA/CAN 0802	PC 76453 C/A1		R	R	R	
	● CONDUIT, Flexible, Screened, 1/2-in. ID.....	5-ft. 6-in.	Z1	ZA/CAN 0799	PC 90754 C		X	X	X	
	● LABELS, Connectors 6-Point No. 12 A 1.....	1	Z1	ZA/CAN 0804	PC 90797 C		R	R	R	
● These items only are carried in Ordnance as Spares. Full designation and V.A.O.S. number MUST be quoted on indents.										



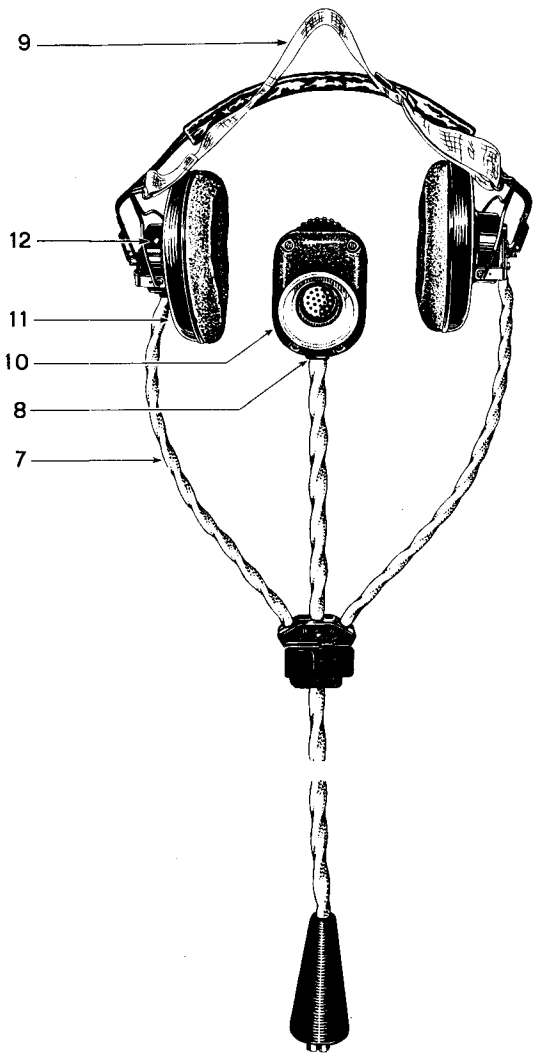
CONNECTORS, 12-POINT

Det. No.	DESIGNATION	No. per Illus.	V. A. O. S.		Manufacturers Number	Cir. Ref.	Repair Schedule			
			Sect.	Number			Unit	Echelon		
								1st	2nd	4th
CONNECTORS, 12-POINT										
1	● CONNECTORS, 12-Point, No. 1A.....		Z1	ZA/CAN/BR 1786	PC 76443 C/A		R	R	R	
2	CONDUIT ASSEMBLIES, Screened, 5/8-in. ID, 12-in. Long.....	1	Z1	ZA/CAN 5201	PC 90755 C/12		X	X	X	
3	● CONDUIT, Flexible, Screened, 5/8-in. ID.....	12-in.	Z1	ZA/CAN 0920	PC 90755 C			R	R	
4	● SOCKETS, 12-Point, No. 1 :- FERRULES.....	2	Z1	ZA 10368	PC 90550 C			R	R	
	LABELS, Connectors 12-Point No. 1A.....	1	Z1	ZA/CAN 0894	PC 90799 C/A			R	R	
	● SOCKETS, 12-Point, No. 1 (See Index).....	2	Z1	ZA/CAN/BR 10295	PC 75424 C			R	R	
NOTE:- The following listed Connectors have similar components to those shown with Connectors, 12-Point, No. 1A. The differences existing are in length of Conduit and Angle at which the socket head is fixed.										
	● CONNECTORS, 12-Point, No. 1E.....		Z1	ZA/CAN/BR 10323	PC 76443 C/E		R	R	R	
	CONDUIT ASSEMBLIES, Screened, 5/8-in. ID, 12-in. Long.....	1	Z1	ZA/CAN 5201	PC 90755 C/12			R	R	
	LABELS, Connectors 12-Point No. 1E.....	1	Z1	ZA/CAN 0896	PC 90799 C/R			R	R	
	● CONNECTORS, 12-Point, No. 2A1.....		Z1	ZA/CAN/BR 1787	PC 76444 C/A1		R	R	R	
	CONDUIT ASSEMBLIES, Screened, 5/8-in. ID, 2-ft. Long.....	1	Z1	ZA/CAN 5202	PC 90755 C/24			R	R	
	LABELS, Connectors 12-Point No. 2A1.....	1	Z1	ZA/CAN 0898	PC 90798 C/B Det.2			R	R	
	● CONNECTORS, 12-Point, No. 2A2.....		Z1	ZA/CAN 1105	PC 76444 C/A2		R	R	R	
	CONDUIT ASSEMBLIES, Screened, 5/8-in. ID, 2-ft. Long.....	1	Z1	ZA/CAN 5202	PC 90755 C/24			R	R	
	LABELS, Connectors 12-Point, No. 2A2.....	1	Z1	ZA/CAN 5238	PC 90798 C/B Det.3			R	R	
	● CONNECTORS, 12-Point, No. 2A3.....		Z1	ZA/CAN 0899	PC 76444 C/A3		R	R	R	
	CONDUIT ASSEMBLIES, Screened, 5/8-in. ID, 2-ft. Long.....	1	Z1	ZA/CAN 5202	PC 90755 C/24			R	R	
	LABELS, Connectors 12-Point No. 2A3.....	1	Z1	ZA/CAN 0900	PC 90798 C/B Det.4			R	R	
	● CONNECTORS, 12-Point, No. 2A4.....		Z1	ZA/CAN 0901	PC 76444 C/A4		R	R	R	
	CONDUIT ASSEMBLIES, Screened, 5/8-in. ID, 2-ft. Long.....	1	Z1	ZA/CAN 5202	PC 90755 C/24			R	R	
	LABELS, Connectors 12-Point No. 2A4.....	1	Z1	ZA/CAN 0902	PC 90779 C/B			R	R	
	● CONNECTORS, 12-Point, No. 3A1.....		Z1	ZA/CAN 0904	PC 76454 C/A1		R	R	R	
	CONDUIT ASSEMBLIES, Screened, 5/8-in. ID, 3-ft. Long, No. 3A1.....	1	Z1	ZA/CAN 5203	PC 90755 C/36			R	R	
	LABELS, Connectors 12-Point No. 3A1.....	1	Z1	ZA/CAN 0905	PC 90779C/C			R	R	
	● CONNECTORS, 12-Point, No. 3B.....		Z1	ZA/CAN/BR 1899	PC 76445 C/B		R	R	R	
	CONDUIT ASSEMBLIES, Screened, 5/8-in. ID, 3-ft. Long, No. 3B.....	1	Z1	ZA/CAN 5203	PC 90755 C/36			R	R	
	LABELS, Connectors 12-Point No. 3B.....	1	Z1	ZA/CAN 0907	PC 90798 C/S			R	R	
	● CONNECTORS, 12-Point, No. 3C.....		Z1	ZA/CAN/BR 1907	PC 76445 C/C		R	R	R	
	CONDUIT ASSEMBLIES, Screened, 5/8-in. ID, 3-ft. Long, No. 3C.....	1	Z1	ZA/CAN 5203	PC 90755 C/36			R	R	
	LABELS, Connectors 12-Point No. 3C.....	1	Z1	ZA/CAN 0909	PC 90798 C/T			R	R	
	● CONNECTORS, 12-Point, No. 3D.....		Z1	ZA/CAN/BR 1908	PC 76445 C/D		R	R	R	
	CONDUIT ASSEMBLIES, Screened, 5/8-in. ID, 3-ft. Long, No. 3D.....	1	Z1	ZA/CAN 5203	PC 90755 C/36			R	R	
	LABELS, Connectors 12-Point No. 3D.....	1	Z1	ZA/CAN 0911	PC 90798 C/U			R	R	
	● CONNECTORS, 12-Point, No. 4A2.....		Z1	ZA/CAN 0912	PC 76446 C/A2		R	R	R	
	CONDUIT ASSEMBLIES, Screened, 5/8-in. ID, 5-ft. 6-in. Long.....	1	Z1	ZA/CAN 5204	PC 90755 C/66			R	R	
	LABELS, Connectors 12-Point No. 4A2.....	1	Z1	ZA/CAN 0913	PC 90798 C/V			R	R	
	● CONNECTORS, 12-Point, No. 4C.....		Z1	ZA/CAN/BR 10278	PC 76446 C/C		R	R	R	
	CONDUIT ASSEMBLIES, Screened, 5/8-in. ID, 5-ft. 6-in. Long.....	1	Z1	ZA/CAN 5204	PC 90755 C/66			R	R	
	LABELS, Connectors 12-Point No. 4 C.....	1	Z1	ZA/CAN 0915	PC 90798 C/X			R	R	
	● CONNECTORS, 12-Point, No. 5A.....		Z1	ZA/CAN/BR 10252	PC 76947 C/A		R	R	R	
	CONDUIT ASSEMBLIES, Screened, 5/8-in. ID, 3-ft. Long, No. 5A.....	1	Z1	ZA/CAN 5203	PC 90755 C/36			R	R	
	COVERS, Canvas, 1-in. Dia, 3-ft. 3-in. Long.....	1	Z1	ZA/CAN 0918	PC 64229 C-192			R	R	
	LABELS, Connectors 12-Point No. 5A.....	1	Z1	ZA/CAN 5363	PC 90799 C/H			R	R	
	● CONNECTORS, 12-Point, No. 7A.....		Z1	ZA/CAN/BR 10254	PC 76943 C/A		R	R	R	
	CONDUIT ASSEMBLIES, Screened, 5/8-in. ID, 12-ft. Long.....	1	Z1	ZA/CAN 5207	PC 90755 C/144			R	R	
	COVERS, Canvas, 1-in. Dia, 12-ft. 5-in. Long.....	1	Z1	ZA/CAN 0921	PC 64229 C-191			R	R	
	LABELS, Connectors 12-Point No. 7A.....	1	Z1	ZA/CAN 5362	PC 90799 C/K			R	R	
	● CONNECTORS, 12-Point, No. 9A1.....		Z1	ZA/CAN 0929	PC 76447 C/A1		R	R	R	
	CONDUIT ASSEMBLIES, Screened, 5/8-in. ID, 6-ft. 6-in. Long.....	1	Z1	ZA/CAN 5205	PC 90755 C/78			R	R	
	LABELS, Connectors 12-Point No. 9A1.....	1	Z1	ZA/CAN 0930	PC 76447 C-191			R	R	
	● CONNECTORS, 12-Point, No. 11A.....		Z1	ZA/CAN/BR 10205	PC 76559 C/A		R	R	R	
	CONDUIT ASSEMBLIES, Screened, 5/8-in. ID, 12-ft. Long.....	1	Z1	ZA/CAN 5207	PC 90755 C/144			R	R	
	LABELS, Connectors 12-Point No. 11A.....	1	Z1	ZA/CAN 0932	PC 76447 C-191			R	R	
	● CONNECTORS, 12-Point, No. 19A.....		Z1	ZA/CAN/BR 10511	PC 76913 C/A		R	R	R	
	CONDUIT ASSEMBLIES, Screened, 5/8-in. ID, 9-ft. Long.....	1	Z1	ZA/CAN 5206	PC 90755 C/108			R	R	
	LABELS, Connectors 12-Point No. 19A.....	1	Z1	ZA/CAN 0934	PC 76913 C-191			R	R	
	● CONNECTORS, 12-Point, No. 23A.....		Z1	ZA/CAN/BR 10544	RCA 110076-501		R	R	R	
	CONDUIT ASSEMBLIES, Screened, 5/8-in. ID, 3-in. Long.....	1	Z1	ZA/CAN 5208	RCA 113916-501			R	R	
	LABELS, Connectors 12-Point No. 23A.....	1	Z1	ZA/CAN 0750	RCA 113909-3			R	R	

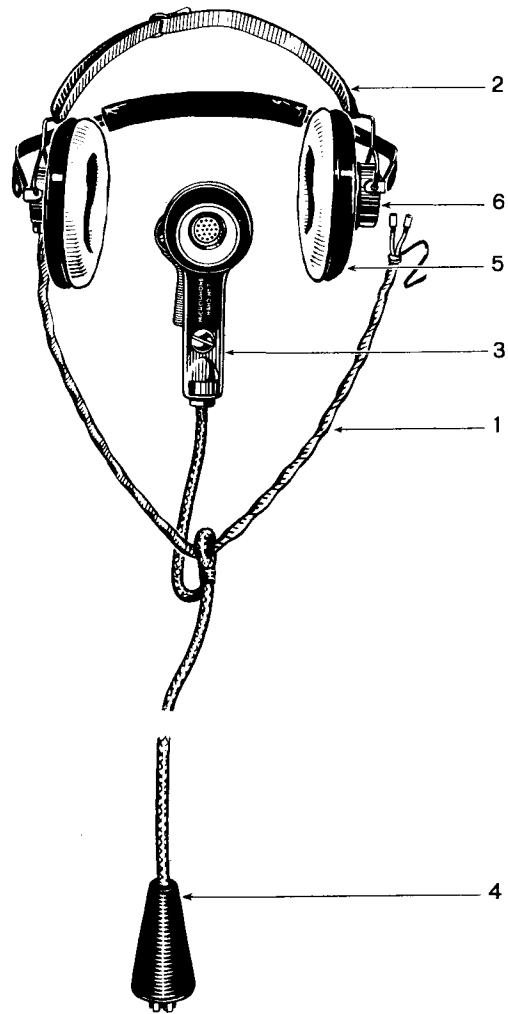


MICROPHONE AND RECEIVERS HEADGEAR ASSEMBLIES

Det. No.	DESIGNATION	No. per Illus.	V. A. O. S.		Manufacturers Number	Cir. Ref.	Repair Schedule			
			Sect.	Number			Unit	Echelon		
								1st	2nd	4th
MICROPHONE AND RECEIVERS HEADGEAR ASSEMBLIES										
	● MICROPHONE AND RECEIVERS HEADGEAR ASSEMBLIES, No. 1, CDN.		Z1	ZA/CAN/BR 21230	PC 76338C		X	R	R	
1	CORDS, Microphone and Receivers, No. C2 (See Index)	1	Z1	ZA/CAN 0583	PC 76338C-1				R	
2	● HEADBANDS, "C".....(See Index)	1	Z1	ZA/CAN 0763	R 11909-3		X	X	R	
3	PROTECTORS, Rubber, 3.5/16-in. x 1.1/4-in. x 1/16-in.....	2	Z1	ZA/CAN 0587	PC 46789C				R	
4	MICROPHONES, Hand, No. 7.....(See Index)	1	Z1	ZA/CAN/BR 2902					R	
5	RECEIVERS, Watch, "F".....(See Index)	2	Z1	ZA 11335					R	
MICROPHONE AND RECEIVERS HEADGEAR ASSEMBLIES, No. 2, CDN.										
6	CORDS, Microphone and Receivers, No. 2A (See Index)	1	Z1	ZA/CAN/BR 14294	PC 76339C		X	R	R	
7	GROMMETS, Rubber, 5/16-in. ID, 3/8-in. x 1/16-in. Panel.....	1	Z1	ZA/CAN 1157	R 11683-31				R	
8	● HEADBANDS, "C".....(See Index)	1	Z1	ZA/CAN 0763	R 11909-3		X	X	R	
9	MICROPHONES, Hand, Canadian, Type I (See Index)	1	Z1	ZA/CAN 1158	PC 90618C				R	
10	PROTECTORS, Rubber, 3.5/16-in. x 1.1/4-in. x 1/16-in.....	2	Z1	ZA/CAN 0587	PC 46789C				R	
11	● RECEIVERS, Watch, "F".....(See Index)	2	Z1	ZA 11335			X	X	R	
12	WASHERS, Steel, 5/8-in. OD, 5/16-in. ID, .050-in. Thick, Chamfered.....	2	Z2	ZB/CAN 1160	R 11681-7				R	
<p>Alternate Headbands for these assemblies are shown in Illustration Breast Plates and Headbands. Indicate type required when indenting.</p>										
<p>● These items only are carried in Ordnance as Spares. Full designation and V.A.O.S. number MUST be quoted on indents.</p>										



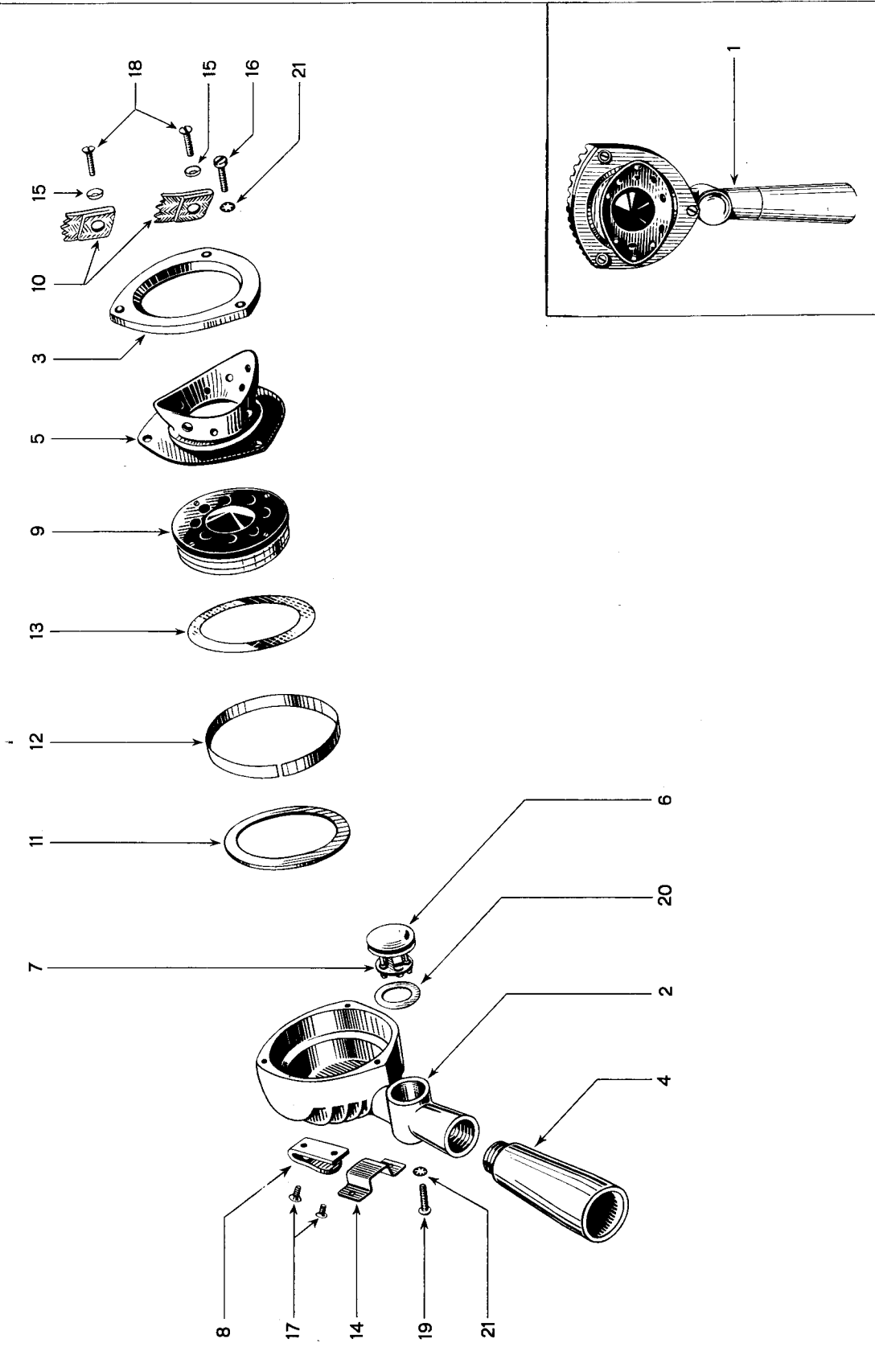
CANADIAN TYPE 10



NO. 8 CANADIAN

MICROPHONE AND RECEIVER HEADGEAR ASSEMBLIES,

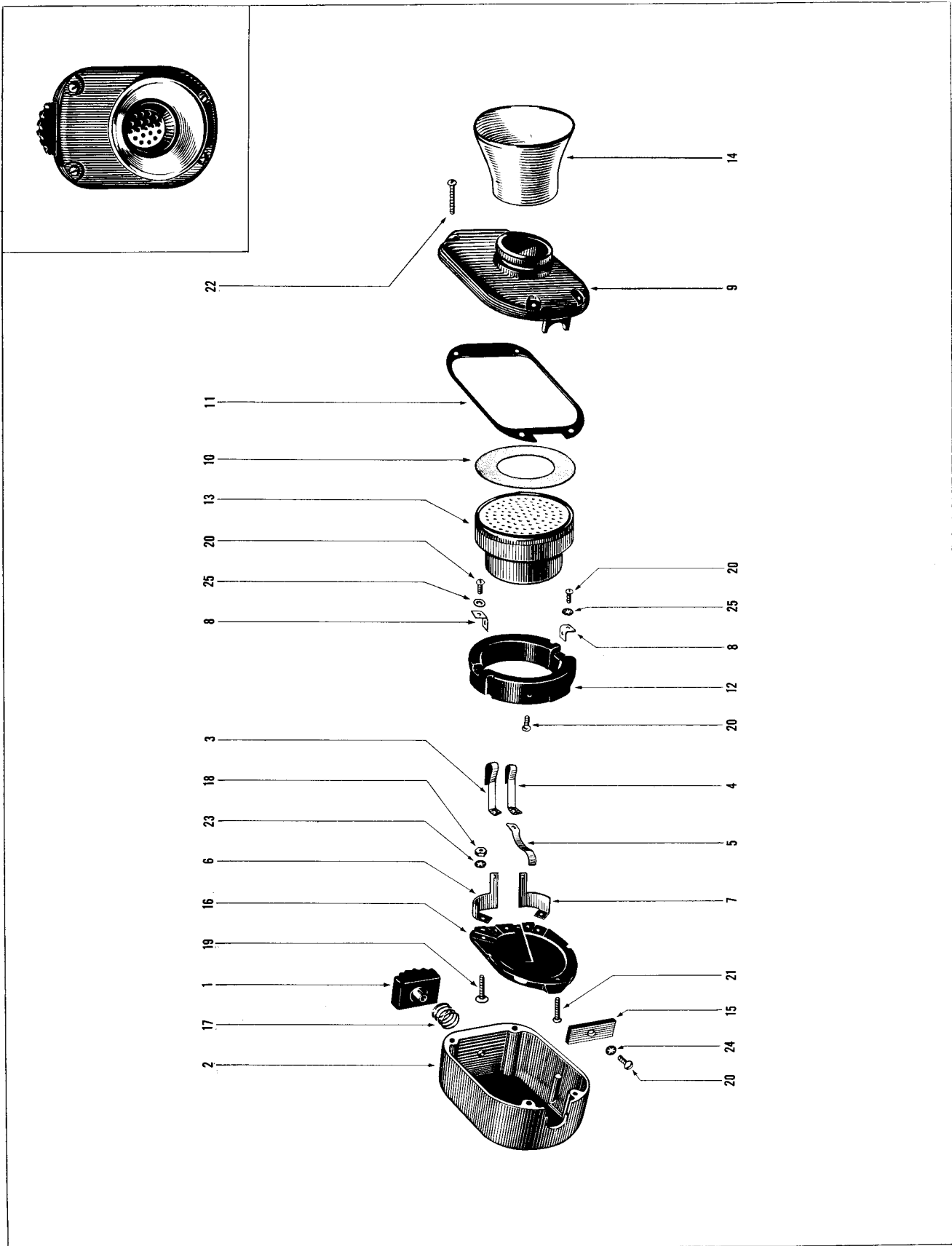
Det. No.	DESIGNATION	No. per Illus.	V. A. O. S.		Manufacturers Number	Cir. Ref.	Repair Schedule						
			Sect.	Number			Unit	Echelon					
								1st	2nd	4th			
	MICROPHONE AND RECEIVERS HEADGEAR ASSEMBLIES												
	● MICROPHONE AND RECEIVERS HEADGEAR ASSEMBLIES, No. 8, CANADIAN		Z1	ZA/CAN/BR 17603	RCA 110071-1		X	R	R				
1	● CORDS, Microphone and Receivers Headgear Assemblies, No. C1.....(See Index)	1	Z1	ZA/CAN 1572	RCA 107620-1		X	R	R				
2	● HEADBAND ASSEMBLIES, No. C1.....	1	Z1	ZA/CAN 0590	RCA 114180-1		X	X					
3	● MICROPHONES, Hand, No. 7.....(See Index)	1	Z1	ZA/CAN/BR 2902									
4	● PLUGS, 5-Point, No. 5.....(See Index)	1	Z1	ZA 1853									
	● RECEIVERS, Watch, L R.....(See Index)	2	Z1	ZA/CAN 1405									
5	● EARCUSHIONS, Chamois, Oval, No. C1.....	2	Z1	ZA/CAN 0843	RCA 110089-1		X	X	X				
6	● RECEIVERS, Watch, L R, Without Earpushions.	2	Z1	ZA/CAN 0842	RCA 113993-501		X	R	R				
	● MICROPHONE AND RECEIVERS HEADGEAR ASSEMBLIES, CANADIAN TYPE 10		Z1	ZA/CAN 1570	RCA 107621-501		X	R	R				
7	● CORDS, Microphone and Receivers Headgear Assemblies, No. C2.....(See Index)	1	Z1	ZA/CAN 1571	RCA 107622-501		X	R	R				
8	● GROMMETS, Rubber, 9/32-in. ID, 15/32-in. x 3/32-in. Panel.....	1	Z1	ZA/CAN 1575	RCA 114174-1								R
9	● HEADBAND ASSEMBLIES, No. C1.....	1	Z1	ZA/CAN 0590	RCA 114180-1		X	X					R
10	● MICROPHONES, Hand, Canadian Type 2.....	1	Z1	ZA/CAN 1555									R
	● RECEIVERS, Watch, LR.....(See Index)	2	Z1	ZA/CAN 1405									R
11	● EARCUSHIONS, Chamois, Oval, No. C1.....	2	Z1	ZA/CAN 0843	RCA 110089-1		X	X	X				X
12	● RECEIVERS, Watch, LR, Without Earcushions..	2	Z1	ZA/CAN 0842	RCA 113993-501		X	R	R				R
	● These items only are carried in Ordnance as Spares. Full designation and V.A.O.S. number MUST be quoted on indents.												



MICROPHONES. HAND, CDN. TYPE 1

Det. No.	DESIGNATION	No. per Illus.	V. A. O. S.		Manufacturers Number	Cir. Ref.	Repair Schedule			
			Sect.	Number			Unit	Echelon		
								1st	2nd	4th
1	MICROPHONES, HAND CDN, TYPE 1		Z1	ZA/CAN 1158	PC 90618C		R	R	R	
2	● CASE ASSEMBLIES, Microphone Hand, No. C2.....	1	Z1	ZA/CAN 1159			R	R	R	
3	● CASES, Microphones Hand, No. C2.....	1	Z1	ZA/CAN 1163	R 11681-2		EX	X	X	
4	● COVERS, Microphones Hand, No. C2.....	1	Z1	ZA/CAN 1164	R 11681-59		X	X	X	
5	● HANDLES, Microphones Hand, No. C1.....	1	Z1	ZA/CAN 1165	R 11681-8		X	X	R	
6	● MOUTHPIECES, Microphones Hand, No. C2.....	1	Z1	ZA/CAN 1166	R 11681-58		X	X	X	
7	SWITCHES, Pressel, Microphones Hand, No. C1..	1	Z1	ZA/CAN 1167	R 11681-16-1				R	
8	TAGS, Patton-MacGuyer No. 4040.....	2	Z1	ZA/CAN 1201					R	
9	HOOKS, Microphones Hand, No. C1.....	1	Z1	ZA/CAN 1168	R 11681-3				R	
	● INSETS, Microphones Hand, No. C1.....	1	Z1	ZA/CAN 1169	R 11681-34		X	X	R	
	TAGS, Cinch No. 1420.....	1	Z1	ZA/CAN 1150	R 15155-2				R	
	TAGS, Cinch No. 1420A.....	1	Z1	ZA/CAN 1131	R 15155-1				R	
	TAGS, Cinch No. 1467A.....	1	Z1	ZA/CAN 1177	R 15157				R	
10	NECKBANDS, Web, Receiver's Headgear, No. C1..	1	Z1	ZA/CAN 1170	R 11681-60				R	
11	● SPACERS, Metal, 2.15/16-in. OD, 2.5/16-in. ID, .050-in. thick.....	1	Z1	ZA/CAN 1171	R 11681-31		X	X	R	
12	● STRIPS, Insulating, 9.1/16-in. x 9/16-in. x .0312-in. thick.....	1	Z1	ZA/CAN 1172	R 11681-33		X	X	R	
13	● WASHERS, Phenolic, 2.7/8-in. OD, 2.9/32-in. ID, .010-in. thick.....	1	Z1	ZA/CAN 1173	R 11681-32		X	X	R	
14	BRACKETS, Metal, 1.3/8-in. x 3/4-in.....	1	Z1	ZA/CAN 1161	R 11681-66				R	
	MOUNTING HARDWARE									
15	FERRULES, Metal, Knurled, 21/64-in. OD, 9/64-in. ID, .120-in. thick.....		Z1	ZA/CAN 1174	R 11681-61				R	
16	SCREWS, BA, Brass, Ch H., No. 4 x 5/8-in.....		Z2	ZB/CAN 2820	PC 30146				R	
17	● SCREWS, BA, Brass, Csk H., No. 4 x 1/4-in.....		Z2	ZB/CAN 2612	R 11713-4		X	X	R	
18	● SCREWS, BA, Brass, Csk H., No. 4 x 5/8-in.....		Z2	ZB/CAN 2618	R 11713-10		X	X	R	
19	● SCREWS, BA, Brass, RH, No. 4 x 5/8-in.....		Z2	ZB/CAN 2543	R 11705-10		X	X	R	
20	WASHERS, Fibre, 1-in. OD, 3/4-in. ID, .010-in. thick.....		Z1	ZA/CAN 1175	R 11681-30				R	
21	● WASHERS, Shakeproof No. 1206.....		Z2	ZB/CAN 0345	[RCA 59049-19 R 15019-6		X	X	X	

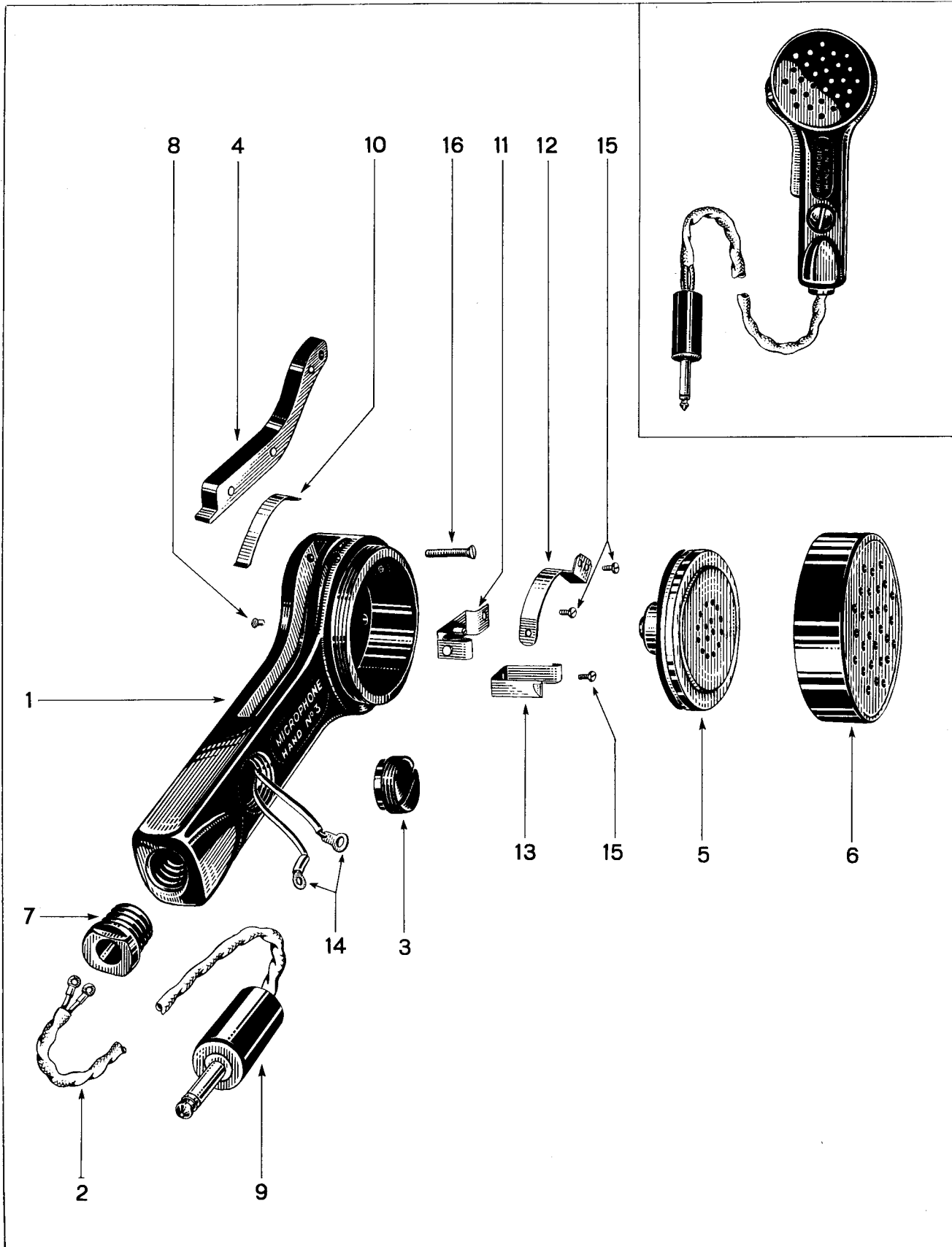
● These items only are carried in Ordnance as Spares. Full designation and V.A.O.S. number MUST be quoted on indents



MICROPHONES, HAND, CDN., TYPE 2

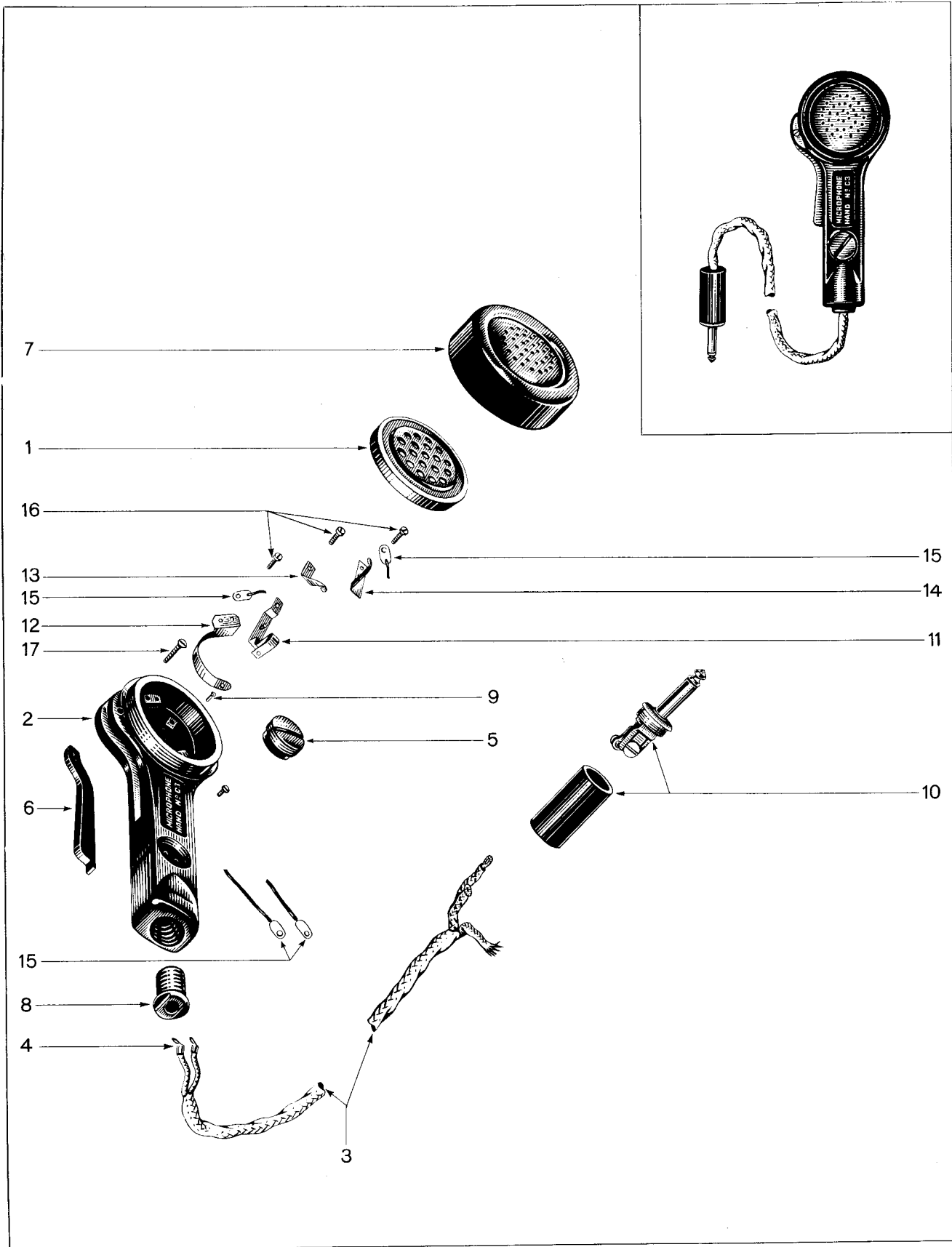
Det No	DESIGNATION	No per Illus	V. A. O. S.		Manufacturers Number	Cir Ref	Repair Schedule						
			Sect	Number			Unit	Echelon					
								1st	2nd	4th			
	MICROPHONES, HAND, CDN. TYPE 2		Z1	ZA/CAN 1555									
1	● BUTTONS, Phenolic, Pressel, Microphone Hand.	1	Z1	ZA/CAN 1556	RCA 114158-501		X	X	X				
2	● CASES, Metal, Microphones Hand, No. C1.....	1	Z1	ZA/CAN 1557	RCA 114182-501		X	X	X				
3	● CONTACTS, Spring Microphones Hand, No. C1 ..	1	Z1	ZA/CAN 1559	RCA 114159-1		X	X	X				
4	● CONTACTS, Spring, Microphones Hand, No. C2..	1	Z1	ZA/CAN 1560	RCA 114159-2		X	X	X				
5	● CONTACTS, Spring, Microphones Hand, No. C3..	1	Z1	ZA/CAN 1558	RCA 114160		X	X	X				
6	● CONTACTS, Spring, Microphones Hand, No. C4..	1	Z1	ZA/CAN 1561	RCA 114161-1		X	X	X				
7	● CONTACTS, Spring, Microphones Hand, No. C5..	1	Z1	ZA/CAN 1562	RCA 114161-2		X	X	X				
8	● CONTACTS, Spring, Microphones Hand, No. C6..	2	Z1	ZA/CAN 1563	RCA 114162		X	X	X				
9	● COVERS, Metal, Microphones Hand, No. C1.....	1	Z1	ZA/CAN 1564	RCA 110118		X	X	X				
10	● GASKETS, Cork, 1.55/64-in. OD, .												
	25/32-in. ID, .031-in. Thick.....	1	Z1	ZA/CAN 5247	RCA 114164-1		X	X	X				
11	● GASKETS, Rubber, Microphones Hand, No. C1...	1	Z1	ZA/CAN 1565	RCA 114177		X	X	X				
12	● HOLDERS, Phenolic, Microphones Hand, No. C1.	1	Z1	ZA/CAN 1566	RCA 114163		X	X	X				
13	● INSERTS, Microphone, Moving Coil, No. C1.....	1	Z1	ZA/CAN 0605	PC 90617 C		X	X	X				
14	● MOUTHPIECES, Microphone, No. 2.....	1	Z1	ZA 12354	PC 90695		X	X	X				
15	● PLATES, Phenolic, Microphones Hand, No. C1..	1	Z1	ZA/CAN 1568	RCA 114157		X	X	X				
16	● PLATES, Phenolic, Microphones Hand, No. C2..	1	Z1	ZA/CAN 1567	RCA 114165		X	X	X				
17	● SPRINGS, Steel, 11/32-in. ID, 5/16-in. Long.	1	Z1	ZA/CAN 1569	RCA 114176		X	Y	X				
	MOUNTING HARDWARE												
18	● NUTS, ANC, Brass, Hex, 2-56.....		Z2	ZB/CAN 3223	RCA 57435-51		X	X	X				
19	● SCREWS, ANC, Brass, Csk H, 2-56 x 7/16.....		Z2	ZB/CAN 2723	RCA 57462-61		X	X	X				
20	● SCREWS, ANC, Brass, RH, 4-40 x 1/4-in.....		Z2	ZB/CAN 2666	RCA 57454-55		Y	X	X				
21	● SCREWS, ANC, Brass, RH, 4-40 x 3/8-in.....		Z2	ZB/CAN 2668	RCA 57454-59		X	X	X				
22	● SCREWS, ANC, Brass, RH, 4-40 x 1/2-in.....		Z2	ZB/CAN 2670	RCA 57454-63		X	X	X				
23	● WASHERS, Shakeproof No. 1202.....		Z2	ZB/CAN 0500	RCA 59049-17		X	X	X				
24	● WASHERS, Shakeproof No. 1204.....		Z2	ZB/CAN 0344	RCA 59049-18		X	X	X				
					LR 15019-4								
25	● WASHERS, Shakeproof No. 1904.....		Z2	ZB/CAN 5248	RCA 59049-65		X	X	X				

● These items only are carried in Ordnance as Spares. Full designation and V A O S number MUST be quoted on indents



MICROPHONES. HAND. NO. 3

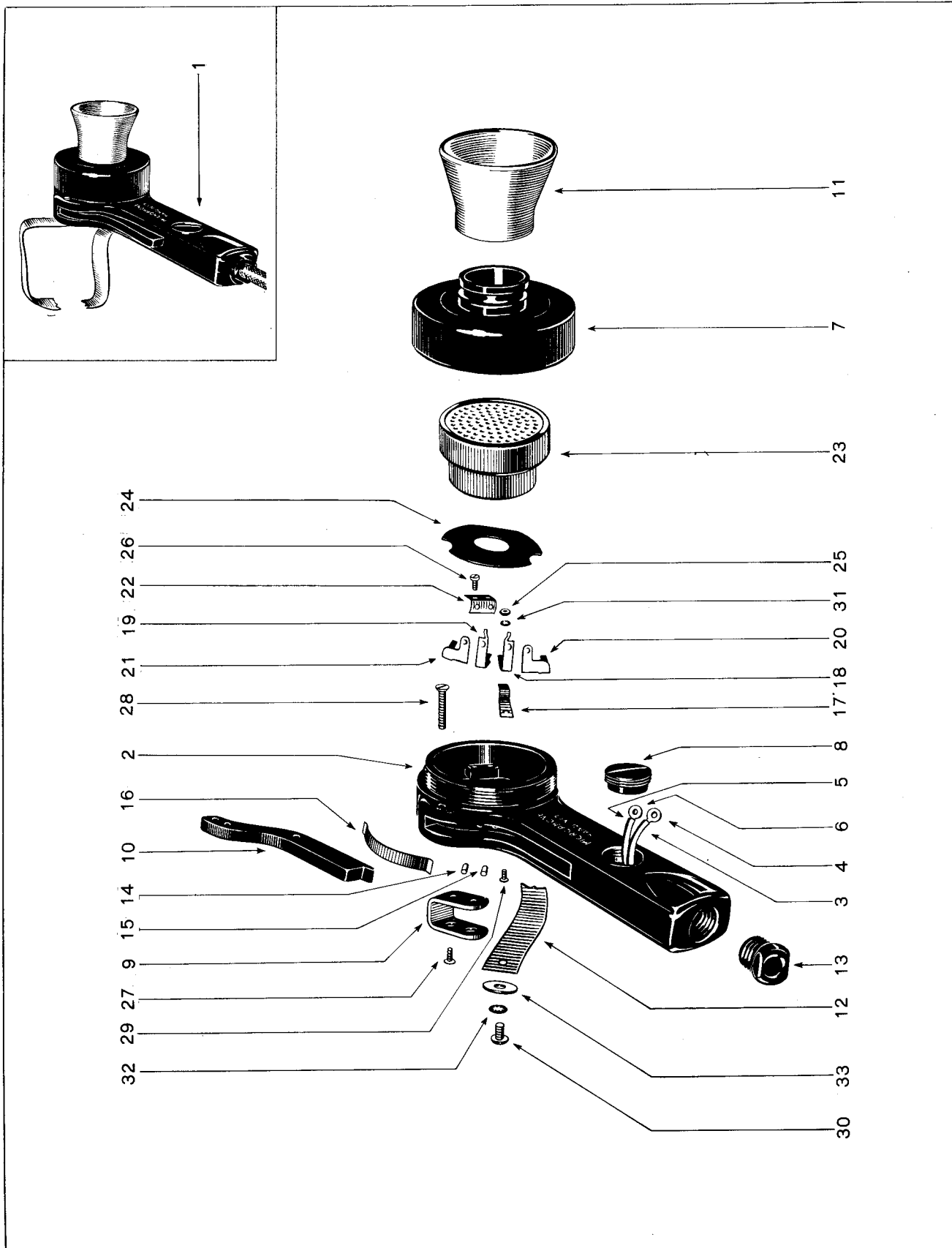
Det No	DESIGNATION	No per Illus	V. A. O. S.		Manufacturers Number	Cir Ref	Repair Schedule		
			Sect	Number			Echelon		
							Unit	1st	2nd
	● MICROPHONES, HAND, NO. 3		Z1	ZA/CAN/BR 5371	RCA 105465-501		X	R	R
1	● CASES, Phenolic, Microphones Hand, No. C2..	1	Z1	ZA/CAN 1435	RCA 105463-1		X	X	X
2	● CORDS, No. 3, Microphones Hand.....	1	Z1	ZA 5375	RCA 110043-1		X	X	R
3	● COVERS, Microphone, Terminal.....	1	Z1	ZA/CAN 0601	PC 55465 C/C		X	X	R
4	● LEVERS, Microphone, Pressel Switch, No. C1.	1	Z1	ZA/CAN 0606	PC 55465 C/E		X	X	X
5	● CAPSULES, Microphone, Mk IV.....	1	Y1	YA 1077	RCA 111623-1 PP 59249		X	X	R
6	● MOUTHPIECES, Microphones Hand, No. C1.....	1	Z1	ZA/CAN 1433	RCA 111744-1 CLESS 29201		X	X	X
7	● NUTS, Gland, Moulded, No. C1.....	1	Z1	ZA/CAN 0609	PC 55465 C/D		X	X	R
8	● PINS, Contact, Microphones Hand, No. C4....	1	Z1	ZA/CAN 1434	RCA 111624-1		X	X	R
9	● PLUGS, Single, No. C1.....	1	Z1	ZA/CAN 0980	PC 00691 C-25		X	X	R
10	● SPRINGS, Case, Microphones Hand, No. C1....	1	Z1	ZA/CAN 0612	PC 64285		X	X	R
11	● SPRINGS, Contact, Microphones Hand, No. C8.	1	Z1	ZA/CAN 1436	RCA 111658-501		X	X	R
12	● SPRINGS, Contact, Microphones Hand, No. C9.	1	Z1	ZA/CAN 1437	RCA 111616-1		X	X	R
13	● SPRINGS, Contact, Microphones Hand, No. C7.	1	Z1	ZA/CAN 1438	CMC 113-425 RCA 111622-501		X	X	R
14	● TAGS, Zierick No. 75.....	4	Z1	ZA/CAN 0327	R 11553-841		X	R	R
	MOUNTING HARDWARE								
15	SCREWS, BA, Brass, Ch H, No. 6 x 5/32-in...		Z2	ZB/CAN 0818	RCA/K 111677-1				R
16	SCREWS, BA, Steel, Csk H, No. 6 x 11/16-in.		Z2	ZB/CAN 3182	CMC 121-108				R
	The New Cord and Plug to be issued in place of those above as soon as existing stocks are exhausted is shown below;								
	● CORDS, Twin, 51-in., 3/32-in. & 1/8-in. Holes.....	1	Z1	ZA/CAN 1844	RCA 110043-2		X	R	R
	● PLUGS, Single, PL55.....	1	Z1	ZA/CAN 0928	RCA 114063		X	R	R
	● These items only are carried in Ordnance as Spares Full designation and V A O S number MUST be quoted on indents								



MICROPHONES. HAND. NO. C3

Det. No.	DESIGNATION	No. per Illus.	V. A. O. S.		Manufacturers Number	Cir. Ref.	Repair Schedule			
			Sect.	Number			Unit	Echelon		
								1st	2nd	4th
MICROPHONES, HAND, NO. C3										
1	CAPSULES, Microphone, F2.....	1	Z1	ZA/CAN 1759	CMC 114-648				R	
2	● CASES, Phenolic, Microphones Hand, No. C1...	1	Y1	YA/CAN 1843	[PP 59540 RCA 118262 CMC 106-681		X	X	R	
3	● CORDS, No. 3, Microphones Hand.....	1	Z1	ZA/CAN 1847	RCA 110043-1		R	R	R	
4	● LUGS, Clinch, 1-Amp., 1/8-in. Hole.....	2	W2	WB/CAN 0589	NE P 357042		X	X	R	
5	● COVERS, Microphone Terminal.....	1	Z1	ZA/CAN 0601	[CMC 113-434 RCA 111619-1 [PC 55465C/C RCA 111617-1 [PC 55465C/E RCA 118260		X	X	R	
6	● LEVERS, Microphone, Pressel Switch, No. C1..	1	Z1	ZA/CAN 0606	[CMC 116-478 CMC 113-431 [PC 55465C/D RCA 111618-1		X	X	R	
7	MOUTHPIECES, Microphones Hand, No. C3.....	1	Z1	ZA/CAN 1845	CMC 113-432 RCA 111622-501 [CMC 113-425		X	X	R	
8	● NUTS, Gland, Moulded, No. C1.....	1	Z1	ZA/CAN 0609	[RCA 118259 [CMC 116-481		X	X	R	
9	● PINS, Contact, Microphones Hand, No. C3.....	1	Z1	ZA/CAN 1846	[RCA 118258 [CMC 116-479 NE R 11553-841		X	X	R	
10	● PLUGS, Single, No. C1.....	1	Z1	ZA/CAN 0980			X	X	R	
11	● SPRINGS, Contact, Centre, 2-Hole, Microphones Hand, No. C3.....	1	Z1	ZA/CAN 1848			X	X	R	
12	● SPRINGS, Contact, Microphones Hand, No. C7..	1	Z1	ZA/CAN 1438			X	X	R	
13	● SPRINGS, Contact, Side, 1-Hole, Microphones Hand, No. C3.....	1	Z1	ZA/CAN 1832			X	X	R	
14	● SPRINGS, Contact, Side, 2-Hole, Microphones Hand, No. C3.....	1	Z1	ZA/CAN 1839			X	X	R	
15	● TAGS, Zierick No. 75.....	4	Z1	ZA/CAN 0327			X	X	R	
MOUNTING HARDWARE										
16	SCREWS, BA, Brass, Ch H, No. 6 x 5/32-in....		Z2	ZB/CAN 0818	RCA/K 111677-1		X	X	R	
17	● SCREWS, BA, Brass, Csk H, No. 6 x 11/16-in..		Z2	ZB/CAN 3182	CMC 121-108		X	X	R	
Later Assemblies have the following cord and plug.										
	● CORDS, Twin, 51-in, 3/32-in. and 1/8-in. Holes.....	1	Z1	ZA/CAN 1844	RCA 110043-2		R	R	R	
	● PLUGS, Single, PL55.....	1	Z1	ZA/CAN 0928	RCA 114063		X	R	R	

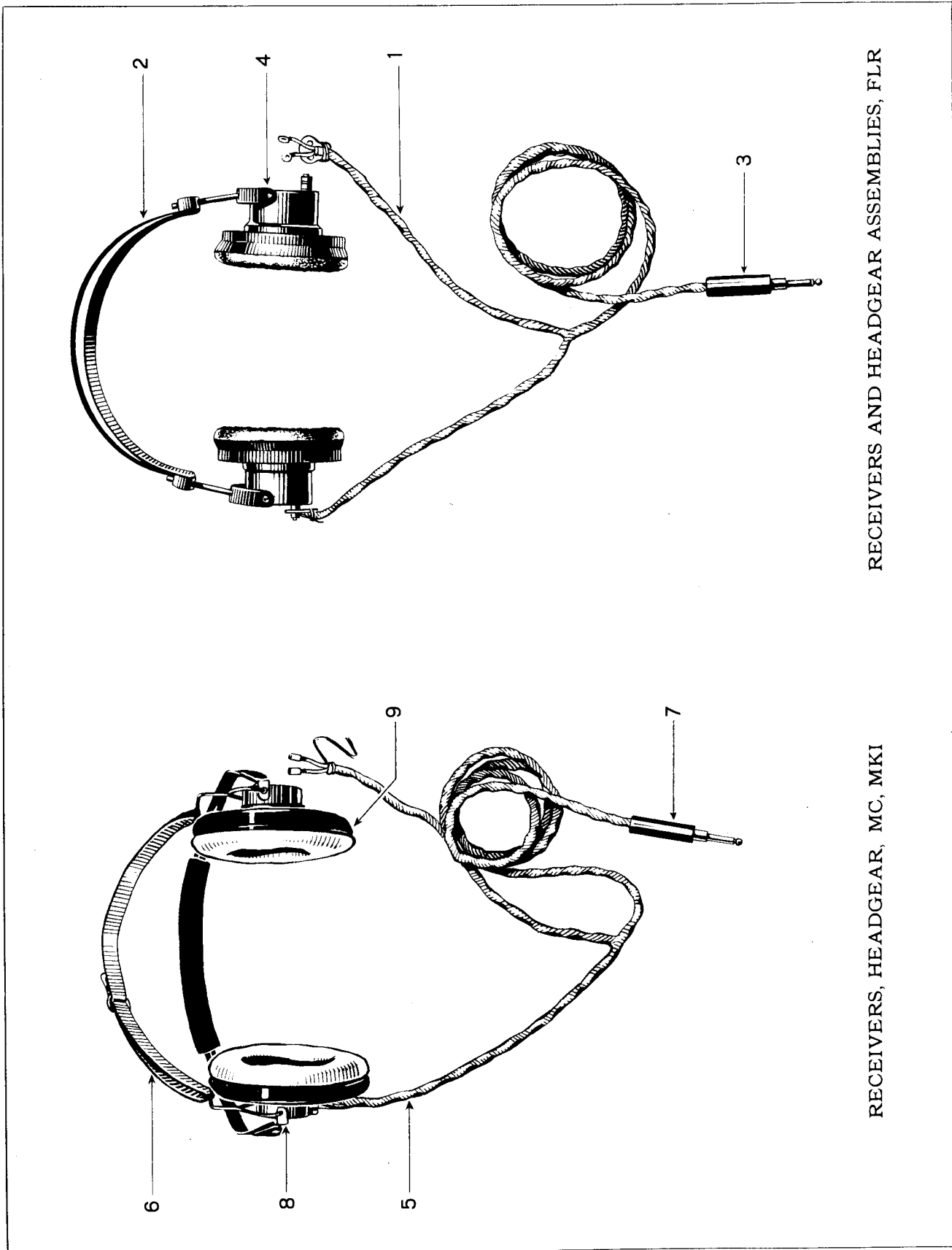
● These items only are carried in Ordnance as Spares. Full designation and V.A.O.S. number MUST be quoted on indents.



MICROPHONES. HAND. NO. 7

Det. No.	DESIGNATION	No. per Illus.	V. A. O. S.		Manufacturers Number	Cir. Ref.	Repair Schedule			
			Sect.	Number			Unit	Echeion		
								1st	2nd	4th
1	MICROPHONES, HAND, NO. 7		Z1	ZA/CAN/BR 2902			EX	X	X	
2	● CASE ASSEMBLIES, Microphones Hand, No. C1....	1	Z1	ZA/CAN 0682	PC 76355 C		EX	X	X	
3	● CASES, Microphones Hand, No. C1.....	1	Z1	ZA/CAN 0599	PC 55465 C/A		EX	X	X	
4	● CONNECTIONS, Flexible, Microphones Hand, No. C1.....	1	Z1	ZA/CAN 0602						R
5	● TAGS, Zierick No. 75.....	1	Z1	ZA/CAN 0327	R 11553-841					R
6	● CONNECTIONS, Flexible, Microphones Hand, No. C2.....	1	Z1	ZA/CAN 0603						R
7	● TAGS, Zierick No. 75.....	1	Z1	ZA/CAN 0327	R 11553-841					R
8	● COVERS, Microphones Hand, No. C1.....	1	Z1	ZA/CAN 0600	PC 55465 C/B					X
9	● COVERS, Microphone, Terminal.....	1	Z1	ZA/CAN 0601	PC 55465 C/C					R
10	● HOOKS, Microphones Hand, No. C2.....	1	Z1	ZA/CAN 0604	PC 64524 C					R
11	● LEVERS, Microphones, Pressel Switch, No. C1.....	1	Z1	ZA/CAN 0606	PC 55465 C/E					X
12	● MOUTHPIECES, Microphones, No. 2.....	1	Z1	ZA 12354	PC 90695	X	X	X		X
13	● NECKBANDS, Receivers Headgear, No. C1.....	1	Z1	ZA/CAN 0608	PC 64524 C-191					R
14	● NUTS, Gland, Moulded, No. C1.....	1	Z1	ZA/CAN 0609	PC 55465 C/D					X
15	● PINS, Contact, Microphones Hand, No. C1.....	1	Z1	ZA/CAN 0610	PC 32132 C					X
16	● PINS, Contact, Microphones Hand, No. C2.....	1	Z1	ZA/CAN 0611	PC 32132 C/A					X
17	● SPRINGS, Cases, Microphones Hand, No. C1.....	1	Z1	ZA/CAN 0612	PC 64285					R
18	● SPRINGS, Contact, Microphones Hand, No. C5.....	1	Z1	ZA/CAN 0613	PC 46233 C					R
19	● SPRINGS, Contact, Microphones Hand, No. C4.....	1	Z1	ZA/CAN 0614	PC 76386 C					R
20	● SPRINGS, Contact, Microphones Hand, No. C3.....	1	Z1	ZA/CAN 0616	PC 76385 C		X	X		R
21	● SPRINGS, Contact, Microphones Hand, No. C2.....	1	Z1	ZA/CAN 0617	PC 76384 C		X	X		R
22	● SPRINGS, Contact, Microphones Hand, No. C1.....	1	Z1	ZA/CAN 0618	PC 76383 C		X	X		R
23	● SPRINGS, Contact, Microphones Hand, No. C6.....	1	Z1	ZA/CAN 0619	PC 46234 C		X	X		R
24	● INSETS, Microphone, Moving Coil, No. C1.....	1	Z1	ZA/CAN 0605	PC 90617 C	X	X	X		ER
24	● WASHERS, Fibre, Insulating, 1.11/16-in. OD, 5/8-in. ID, .016-in. Thick.....	1	Z1	ZA/CAN 0621	PC 45985 C					R
MOUNTING HARDWARE										
25	● NUTS, BA, Brass, Hex, No. 8.....		Z2	ZB/CAN 3209	R 11733-8		X	X		R
26	● SCREWS, BA, Brass, Ch H, No. 6 x 3/16-in...		Z2	ZB/CAN 0620	R 11730-3					R
27	● SCREWS, BA, Brass, Csk H, No. 6 x 5/16-in..		Z2	ZB/CAN 2626						R
28	● SCREWS, BA, Brass, Csk H, No. 6 x 11/16-in..		Z2	ZB/CAN 2632	R 11714-11					R
29	● SCREWS, BA, Brass, Csk H, No. 8 x 3/16-in..		Z2	ZB/CAN 0615						R
30	● SCREWS, BA, Brass, RH, No. 4 x 1/4-in.....		Z2	ZB/CAN 2937						R
31	● WASHERS, Shakeproof No. 1202.....		Z2	ZB/CAN 0500	RCA 59049-17					X
32	● WASHERS, Shakeproof No. 1206.....		Z2	ZB/CAN 0345	[RCA 59049-19 LR 15019-6					X
33	● WASHERS, Steel, 9/16-in. OD, 5/32-in. ID, .035-in. thick.....		Z2	ZB/CAN 0632						R

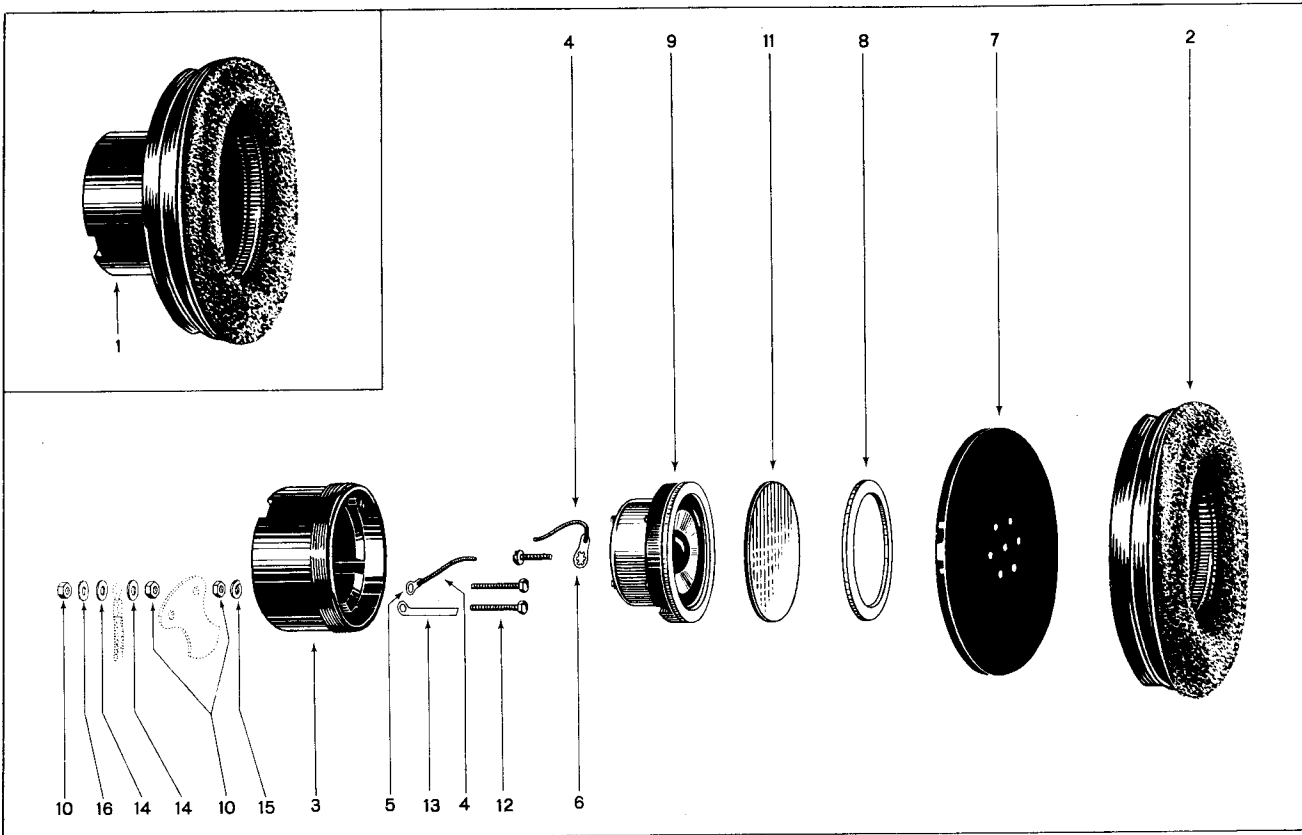
● These items only are carried in Ordnance as Spares. Full designation and V.A.O.S. number MUST be quoted on indents.



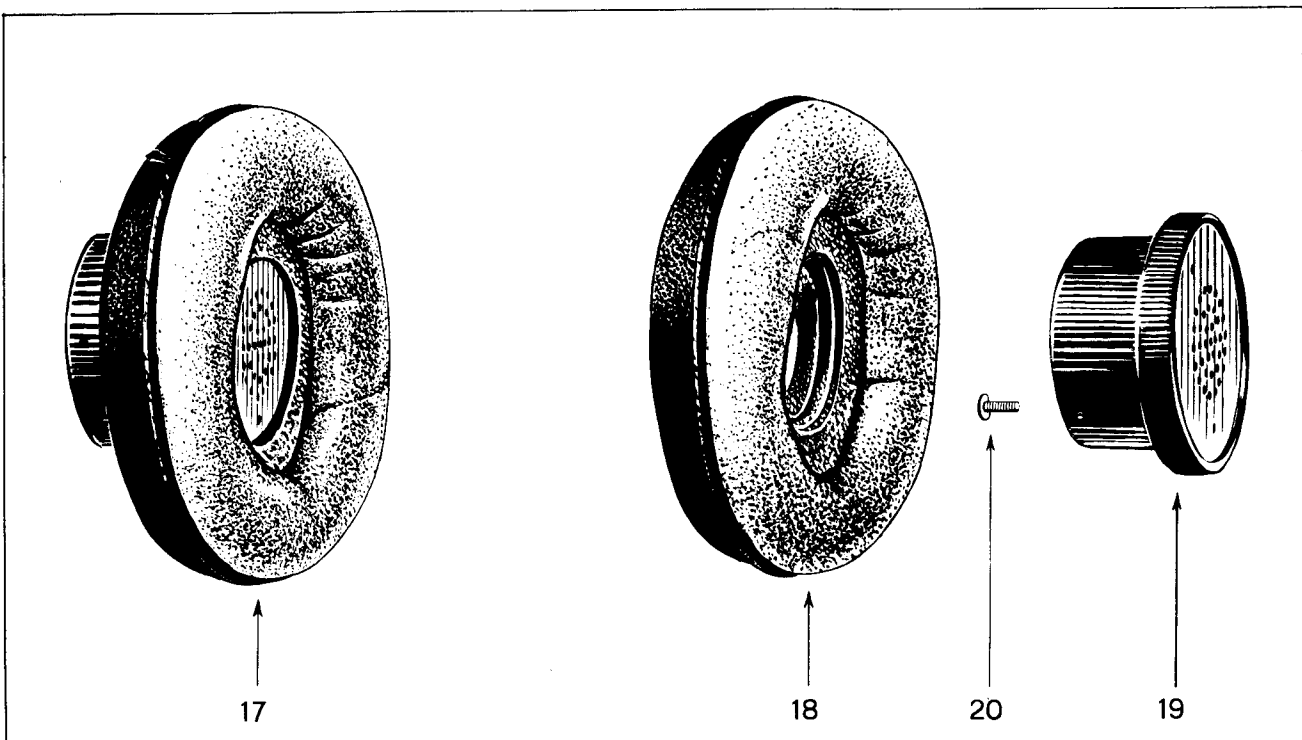
RECEIVERS AND HEADGEAR ASSEMBLIES, FLR

RECEIVERS, HEADGEAR, MC, MKI

RECEIVERS, HEADGEAR, ASSEMBLIES



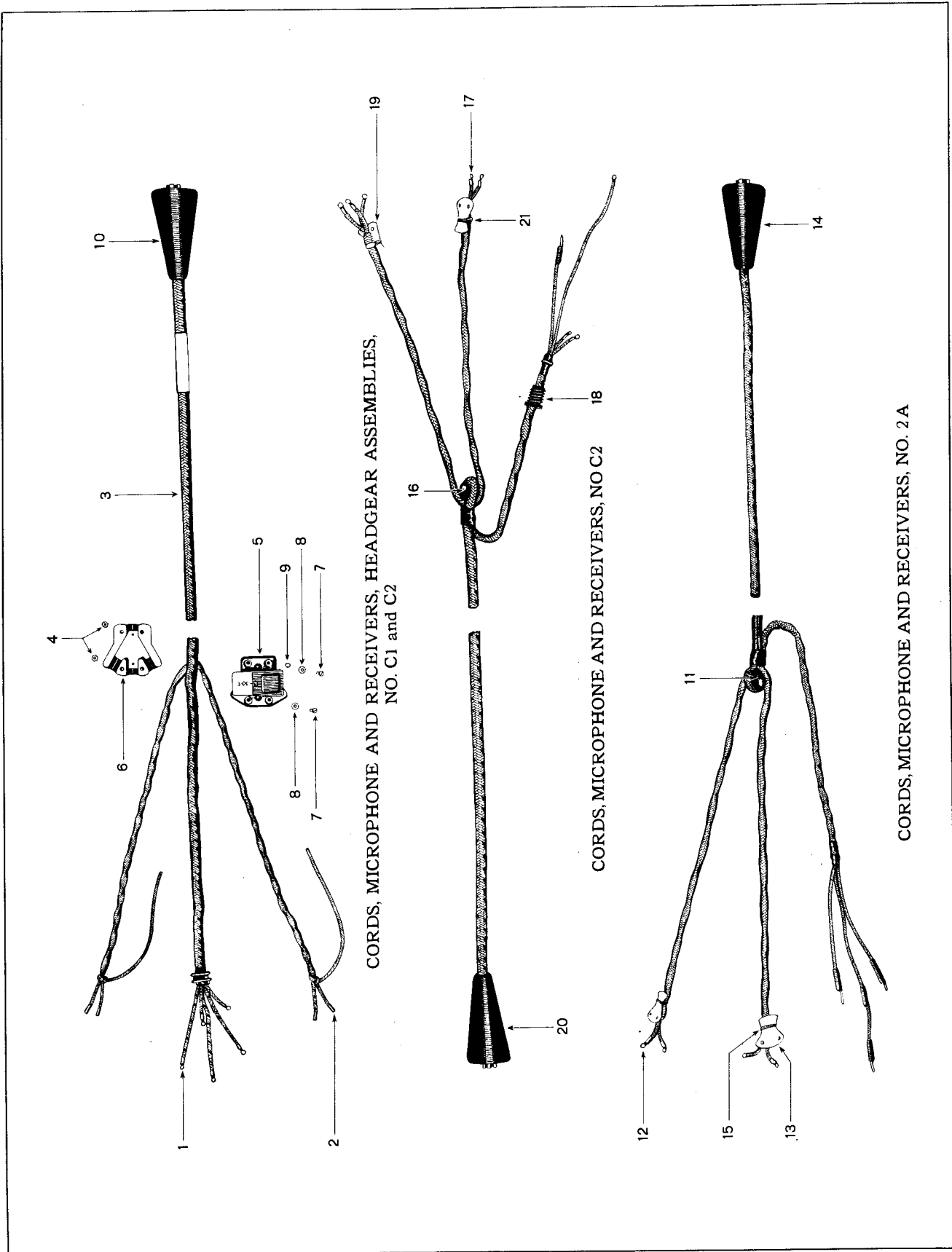
RECEIVERS, WATCH, F



RECEIVERS, WATCH, LR

Det. No.	DESIGNATION	No. per Illus.	V. A. O. S.		Manufacturers Number	Cir. Ref.	Repair Schedule			
			Sect.	Number			Unit	Echelon		
								1st	2nd	4th
1	RECEIVERS, WATCH, F		Z1	ZA 11335			R	R	R	
2	● EARCUSHIONS, F.....	1	Z1	ZA 11382	PC 90739 C		X	X	X	
3	● RECEIVERS, Watch, F, Without Earcushions...	1	Z1	ZA 20024	PC 90616 C		R	R	R	
4	CASES, Receivers Watch, No. Cl.....	1	Z1	ZA/CAN 0623	PC 90616 C-21					
5	CONNECTIONS, Flexible, Receivers Watch, No. Cl.....	1	Z1	ZA/CAN 0624			EX	X	R	
6	TAGS, NE, No. 58974.....	1	Z1	ZA/CAN 0627	P.P. 58974			X	R	
7	TAGS, Shakeproof No. 2102-6.....	1	Z1	ZA/CAN 1322	R 15057-6		R	R	R	
8	● EARPIECES, Receivers Watch, No. Cl.....	1	Z1	ZA/CAN 0626	PC 90616 C-22				X	
9	GASKETS, Chipboard, Receivers Watch, No. Cl	1	Z1	ZA/CAN 0628	PC 90616 C-19				R	
10	INSETS, Receivers Watch, No. Cl.....	1	Z1	ZA/CAN 0629					R	
11	NUTS, ANF, Brass, Hex, 4-48.....	6	Z2	ZB/CAN 3239					R	
12	SCREWS, Dust, Receivers Watch, No. Cl.....	1	Z1	ZA/CAN 0639	PC 90616 C-20				R	
13	SCREWS, ANF, Brass, Hex H, 4-48 x 5/8-in., Special.....	2	Z1	ZA/CAN 0630	PC 90616 C-24				R	
14	TAGS, Contact, No. Cl.....	1	Z1	ZA/CAN 0631	PC 90616 C-23				R	
15	● WASHERS, Brass, 9/32-in. OD, 1/8-in. ID, .032-in. thick.....	4	Z2	ZB/CAN 0511			X	X	R	
16	● WASHERS, Lock, Phosphor Bronze, 7/32-in. OD, 1/8-in. ID, .034-in. thick.....	2	Z2	ZB/CAN 0339			X	X	R	
16	● WASHERS, Shakeproof No. 1104.....	2	Z2	ZB/CAN 0634	RCA 59049-2		X	X	X	
17	RECEIVERS, WATCH, L R		Z1	ZA/CAN 1405						
18	● EARCUSHIONS, Chamois, Oval, No. Cl.....	1	Z1	ZA/CAN 0843	RCA 110089-1		X	X	X	
19	● RECEIVERS, Watch, L R, Without Earcushions.	1	Z1	ZA/CAN 0842	RCA 113993-501		X	X	R	
20	SCREWS, ANF, Steel, BH, 3-48 x 1/4-in.....	2	Z2	ZB/CAN 3306					R	

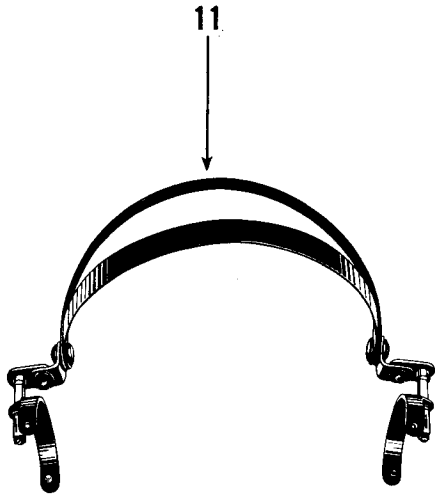
● These items only are carried in Ordnance as Spares. Full designation and V.A.O.S. number MUST be quoted on indents.



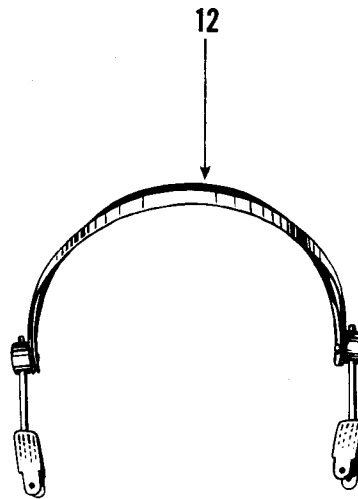
CORDS, MICROPHONE AND RECEIVERS

Det. No.	DESIGNATION	No per Illus.	V. A. O. S.		Manufacturers Number	Cir Ref.	Repair Schedule			
			Sect.	Number			Unit	Echelon		
								1st	2nd	4th
CORDS, MICROPHONE AND RECEIVERS										
1	● [CORDS, MICROPHONE AND RECEIVERS, HEADGEAR ASSEMBLIES, NO C1		Z1	ZA/CAN 1572	RCA 107620-1		X	R	R	
2	LUGS, Clinch, 1-Amp, 1/8-in. Hole.....	5	W2	WB/CAN 0589	P 357042					R
	TIPS, Brass, Cord, 5/16-in. long.....	4	Z1	ZA/CAN 1573						R
3	● [CORDS, MICROPHONE AND RECEIVERS, HEADGEAR ASSEMBLIES, NO C2		Z1	ZA/CAN 1571	RCA 107622-501		X	R	R	
	● CORDS, Microphone & Receivers Headgear Assemblies, No. C1 (Illus. Above)....	1	Z1	ZA/CAN 1572	RCA 107620-1		X	R	R	
4	● GRIP AND CLAMP ASSEMBLIES, Cords Microphone & Receivers.....	1	Z1	ZA/CAN 1574			X	X	R	
5	● NUTS, ANC, Brass, Hex, 4-40.....	4	Z2	ZB/CAN 3225			X	X	RA	
6	● PLATES, Phenolic, Back, Grip & Clamp Assemblies.....	1	Z1	ZA/CAN 5245	RCA 114166-1		X	X		
7	● PLATES, Phenolic, Front, Grip & Clamp Assemblies.....	1	Z1	ZA/CAN 5244	RCA 114155-501		X	X	R	
8	● SCREWS, ANC, Brass, RH, 4-40 x 1/2-in.....	4	Z2	ZB/CAN 2670	RCA 57454-63		X	X	R	
9	● WASHERS, Brass, 1/4-in. OD, 7/64-in. ID, .025-in. Thick.....	4	Z2	ZB/CAN 5246	RCA 114173-1		X	X	R	
10	● WASHERS, Shakeproof No. 1204.....	4	Z2	ZB/CAN 0344	RCA 59049019 R 15019-4		X	X	X	
11	● PLUGS, 5-Point, No. 5.....	1	Z1	ZA/CAN/BR 1853			X	X	X	
12	● [CORDS, MICROPHONE AND RECEIVER, NO 2A		Z1	ZA/CAN/BR 14294	PC 76339 C-1		X	R	R	
13	GROMMETS, Rubber, Anchoring, Cord Assemblies.....	1	Z1	ZA/CAN 0585	[PC 90696 C [PC 55517 C P 357042-				X	R
14	LUGS, Clinch, 1-Amp, 1/8-in. Hole.....	4	Z1	ZA/CAN 0589						R
15	PLATES, Phenolic, Strain Relieving, 1.3/16-in. x 1.1/8-in.....	2	Z1	ZA/CAN 0586	PC 60092 C-2		X	X	R	X
16	● PLUGS, 5-Point, No. 5.....	1	Z1	ZA/CAN/BR 1853						R
17	● WASHERS, Fibre, 3/8-in. OD, 7/32-in. ID, .062-in. thick.....	2	Z1	ZA/CAN 0588						R
18	● [CORDS, MICROPHONE AND RECEIVER, NO C2		Z1	ZA/CAN 0583	PC 76338 C-1					R
19	GROMMETS, Rubber, Anchoring, Cord Assemblies.....	1	Z1	ZA/CAN 0585	[PC 90696 C [PC 55517 C P 357042		X	X	R	R
20	LUGS, Clinch, 1-Amp, 1/8-in. Hole.....	8	Z1	ZA/CAN 0589	PC 55465 C/D					R
21	NUTS, Gland, Moulded, No. C1.....	1	Z1	ZA/CAN 0609			X	X	R	
22	PLATES, Phenolic, Strain Relieving, 1.3/16-in. x 1.1/8-in.....	2	Z1	ZA/CAN 0586	PC 60092 C-2		X	X	R	X
23	● PLUGS, 5-Point, No. 5.....	1	Z1	ZA/CAN/BR 1853						R
24	● WASHERS, Fibre, 3/8-in. OD, 7/32-in. ID, .062-in. thick.....	3	Z1	ZA/CAN 0588						R

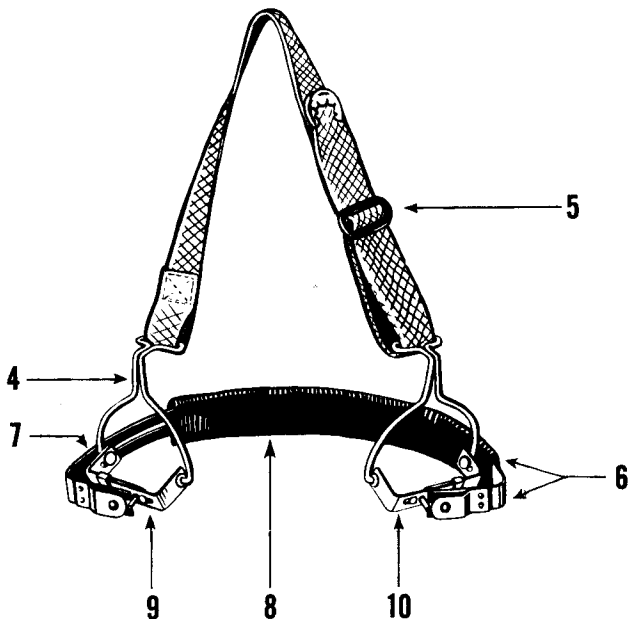
● These items only are carried in Ordnance as Spares Full designation and V A O S number MUST be quoted on indents



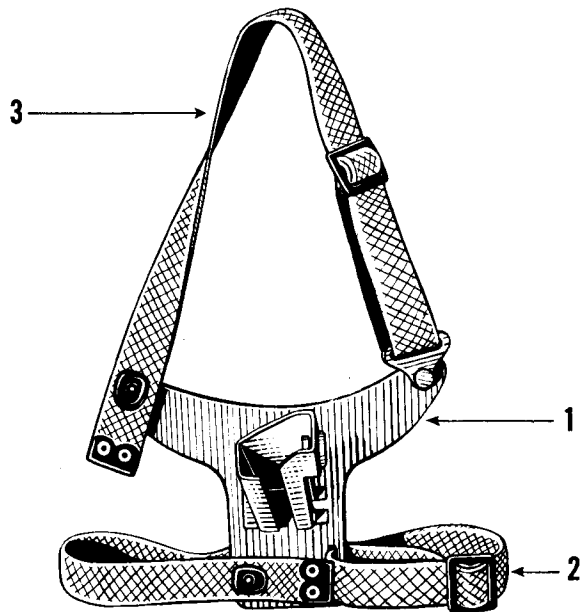
HEADBANDS, RECEIVERS HEADGEAR, NO. C1



HEADBANDS, "C"



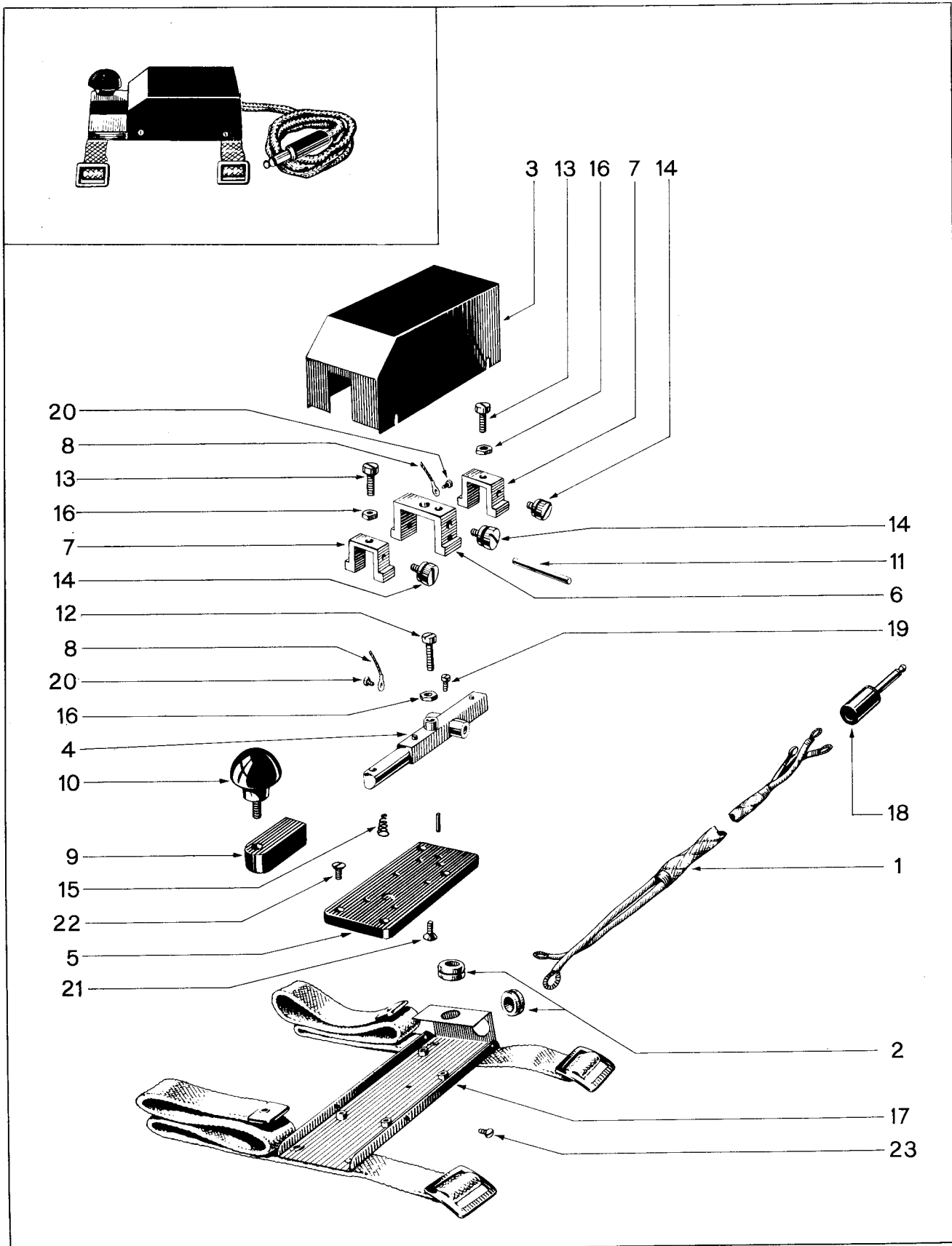
HEADBAND ASSEMBLIES, NO. C1



BREAST PLATES
MICROPHONES HAND, NO. C1

BREAST PLATES AND HEADBANDS

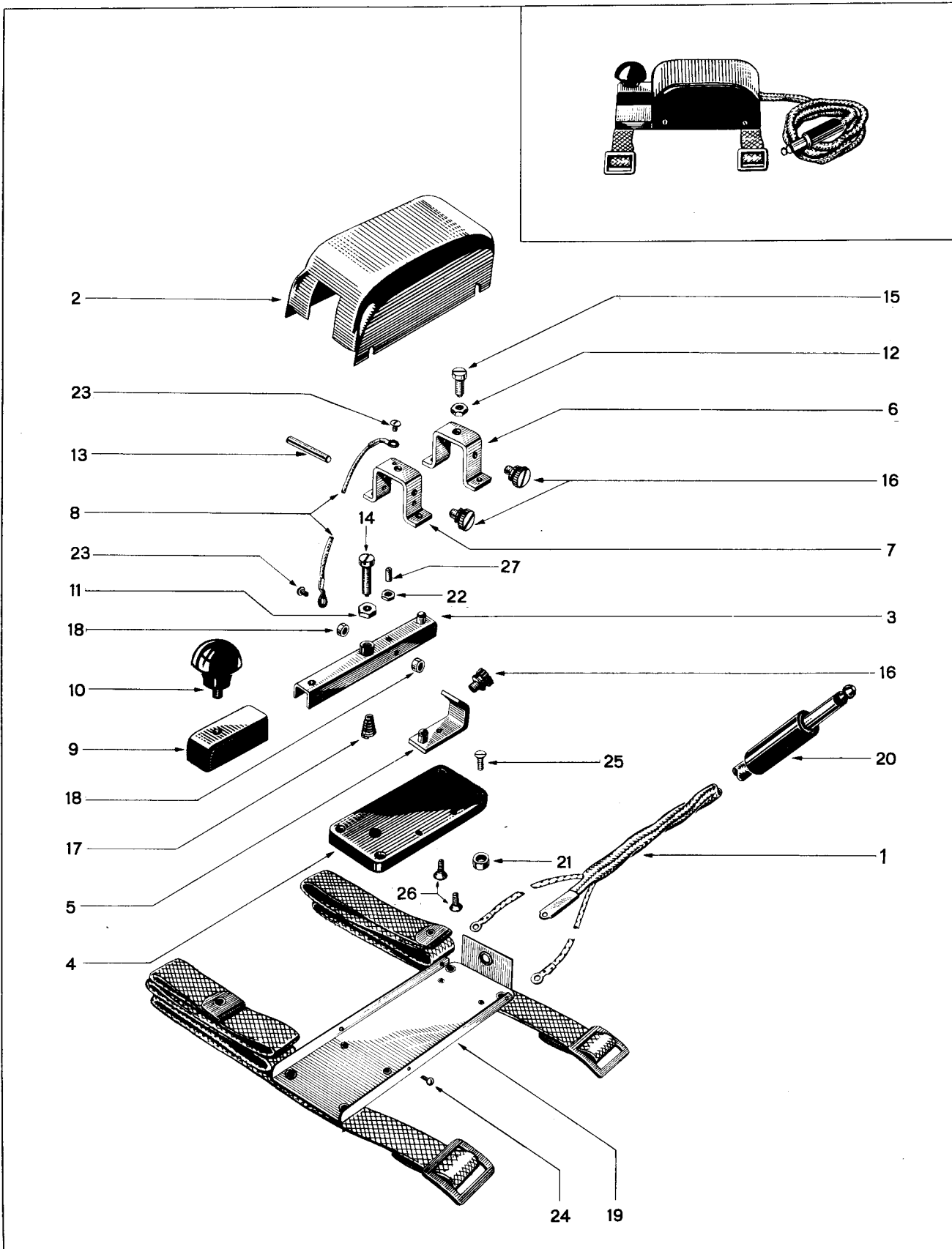
Det. No.	DESIGNATION	No. per Illus.	V. A. O. S.		Manufacturers Number	Cir. Ref.	Repair Schedule			
			Sect.	Number			Unit	Echelon		
								1st	2nd	4th
BREAST PLATES AND HEADBANDS										
	BREAST PLATES, MICROPHONES HAND, NO. C1		Z1	ZA/CAN 0705	RCA 110073					R
1	BODIES, Breast Plates, No. C1.....	1	Z1	ZA/CAN 0708	RCA 110091					R
2	STRAPS, Web, Breast Plates, No. C2.....	1	Z1	ZA/CAN 0706	RCA 110083-502					R
3	STRAPS, Web, Breast Plates, No. C1.....	1	Z1	ZA/CAN 0707	RCA 110083-501					R
	★ HEADBAND ASSEMBLIES, NO. C1		Z1	ZA/CAN 0590	RCA 114180-1		X	R		R
4	● CLIPS, Spring, Headbands, No. C1.....	1	Z1	ZA/CAN 0595	RCA 114102-1		X	R		R
	● HEADBANDS, Web, No. C1.....	1	Z1	ZA/CAN 0594	RCA 110080-501		X	R		R
5	● SLIDES, North and Judd No. A-11.....	1	Z1	ZA/CAN 0597	RCA 110080-3					R
6	● NECKBANDS, Receivers Headgear, No. C2.....	1	Z1	ZA/CAN 0903	RCA 110088-501		X	X		R
7	● NECKPIECES, Headband Assemblies, No. C1.....	1	Z1	ZA/CAN 0591	RCA 110099					R
8	● SLEEVES, Headband Assemblies, 8-in. Long....	1	Z1	ZA/CAN 0592	RCA 114098-1					R
9	● STIRRUPS, Receivers Headgear, No. C2.....	1	Z1	ZA/CAN 0695	RCA 114070-502		X	X		R
10	● STIRRUPS, Receivers Headgear, No. C1.....	1	Z1	ZA/CAN 0696	RCA 114070-501		X	X		R
	★ THIS ASSEMBLY IS FOR USE WITH A STEEL HELMET									
	NOTE:- On some early assemblies, Stirrups, Headgear Assemblies, (ZA/CAN 0697) and Stirrups, Headgear Assemblies, (ZA/CAN 0698) were used in place of those listed above. These Stirrups are not adjustable and will not fit Receivers, Watch, LR, Without Ear-cushions (ZA/CAN 0842)									
11	HEADBANDS, RECEIVERS HEADGEAR, NO. C1		Z1	ZA/CAN 0922	PC 90367 C-1					R
12	HEADBANDS, "C"		Z1	ZA/CAN 0763	R 11909-3					R
	NOTE:- Of the three types of Headbands listed above, only Headband Assemblies (ZA/CAN 0590) will fit both Receivers, Watch, F, Without Ear-cushions (ZA 20024) and Receivers, Watch, LR, Without Earcushions (ZA/CAN 0842). Headbands, Receivers Headgear (ZA/CAN 0922) and Headbands, "C" (ZA/CAN 0763 will not fit Receivers, Watch, LR, Without Earcushions (ZA/CAN 0842) AND WILL NOT FIT UNDER A STEEL HELMET.									
	● These items only are carried in Ordnance as Spares. Full designation and V.A.O.S. number MUST be quoted on indents.									



KEY AND PLUG ASSEMBLIES. NO. 9

Det. No.	DESIGNATION	No. per Illus.	V. A. O. S.		Manufacturers Number	Cir. Ref.	Repair Schedule							
			Sect.	Number			Unit	Echelon						
								1st	2nd	4th				
	● KEY AND PLUG ASSEMBLIES NO. 9													
	● CORDS, 2-Core, 54-in.....	1	Z1	ZA/CAN/BR 0937	PC 90691C-1			R	R	R				
1	● CORDS, 2-Core, 54-in.....	1	Z1	ZA/CAN 0979	RCA 110113-1 PC 90691C-11			X	X	R				
2	GROMMETS, Rubber, 5/16-in. ID, 7/16-in. x 1/16-in. panel.....	2	Z1	ZA/CAN 0984	K 4534-7								X	
3	HOUSINGS, Metal, Key & Plug Assemblies, No. Cl	1	Z1	ZA/CAN 0981	PC 90691C-8								R	
	KEYS, W/T, 8-Amp., No. C2.....	1	Z1	ZA/CAN 0982	PC 90691C-12								R	
4	BARS, Keys W/T 8-Amp., No. Cl.....	1	Z1	ZA/CAN 0985	PC 90691C-15								R	
5	BASES, Phenolic, Keys W/T 8-Amp., No. Cl.....	1	Z1	ZA/CAN 0986	PC 90691C-13								R	
6	BRACKETS, Centre, Keys W/T 8-Amp., No. Cl....	1	Z1	ZA/CAN 0987	PC 90691C-14								R	
7	BRACKETS, End, Keys W/T 8-Amp., No. Cl.....	2	Z1	ZA/CAN 0988	PC 90691C-24								R	
8	CONNECTIONS, Flexible, Keys W/T 8-Amp, No. Cl.....	1	Z1	ZA/CAN 0989	PC 20286								R	
9	GUARDS, Keys W/T 8-Amp., No. Cl.....	1	Z1	ZA/CAN 0991	PC 90691C-20								X	
10	KNOBBS, Keys W/T 8-Amp., No. Cl.....	1	Z1	ZA/CAN 0992	R 11950-17								R	
11	PINS, Keys, W/T 8-Amp., No. Cl.....	1	Z1	ZA/CAN 0993	PC 90691C-23								R	
12	SCREWS, Adjusting, Keys W/T 8-Amp., No. Cl...	1	Z1	ZA/CAN 0994	PC 90691C-21								R	
13	SCREWS, Contact, Keys W/T 8-Amp., No. Cl.....	2	Z1	ZA/CAN 0995	R 11950								R	
14	SCREWS, Terminal, Keys W/T 8-Amp., No. Cl....	3	Z1	ZA/CAN 0996	PC 9852A								R	
15	SPRINGS, Helical, Keys W/T 8-Amp., No. Cl....	1	Z1	ZA/CAN 0997	PC 90691C-22								R	
16	NUTS, BA, Brass, Hex, No. 2.....	3	Z2	ZB/CAN 3203	R 11733-2								R	
17	PLATES, Metal, Adaptor, Key & Plug Assemblies No. Cl.....	1	Z1	ZA/CAN 0983	PC 90691C-3								R	
18	PLUGS, Single, No. Cl.....	1	Z1	ZA/CAN 0980	PC 90691C-25								R	
	MOUNTING HARDWARE													
19	SCREWS, BA, Brass, Ch H, No. 6 x 1/4-in.....		Z2	ZB/CAN 2827	PC 30108								R	
20	SCREWS, BA, Brass, Ch H, No. 8 x 1/8-in.....		Z2	ZB/CAN 0990									R	
21	SCREWS, BA, Brass, Csk H, No. 4 x 5/16-in....		Z2	ZB/CAN 2613	R 11713-5								R	
22	SCREWS, BA, Steel, Csk H, No. 4 x 5/16-in....		Z2	ZB/CAN 3163	R 11709-5								R	
23	SCREWS, BA, Steel, RH, No. 6 x 1/8-in.....		Z2	ZB/CAN 0797	R 11702-2								R	

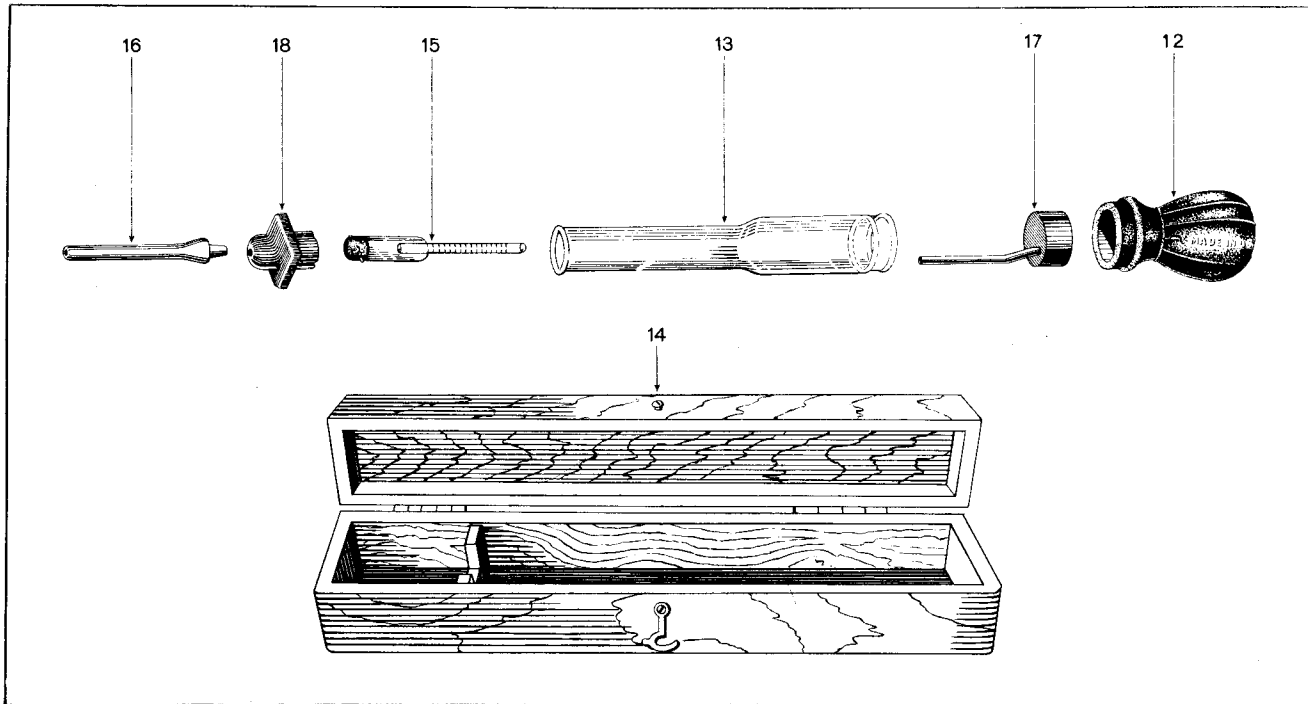
● These items only are carried in Ordnance as Spares. Full designation and V.A.O.S. number MUST be quoted on indents.



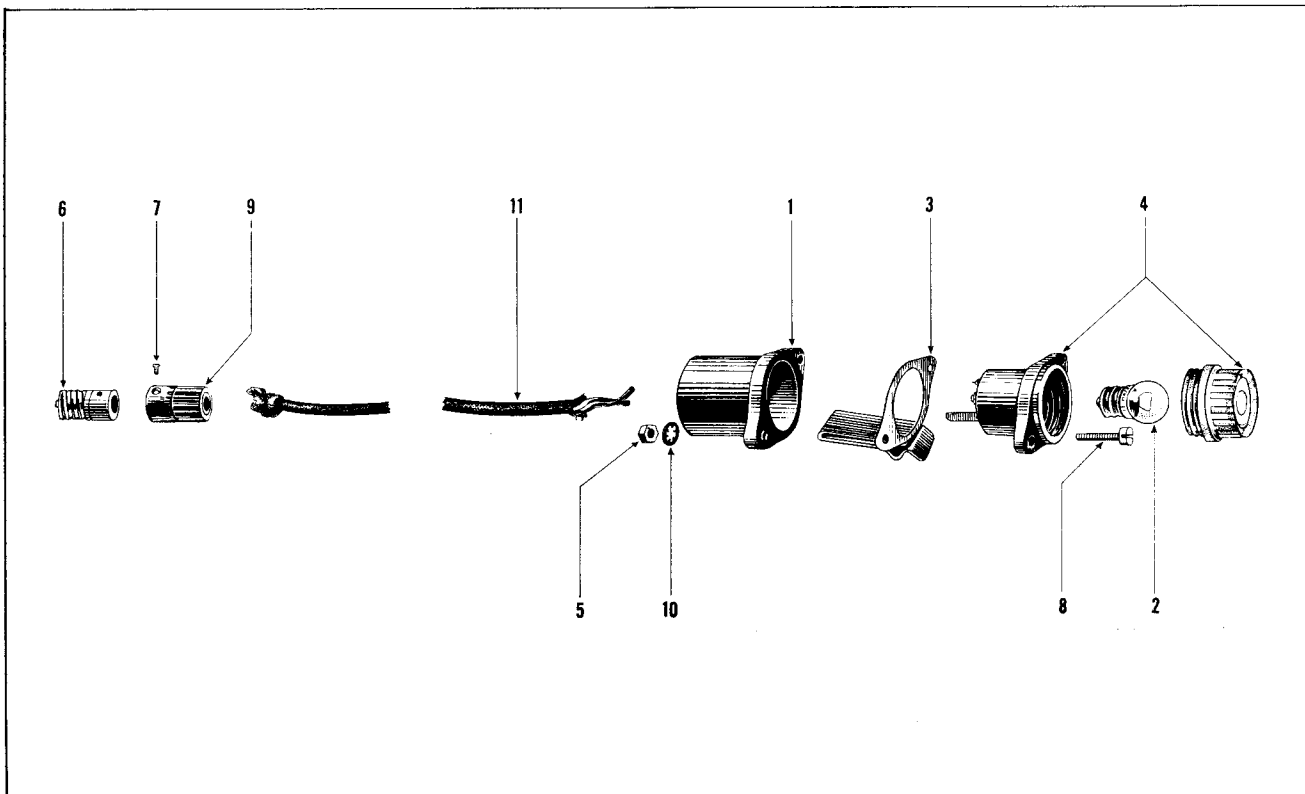
KEY AND PLUG ASSEMBLIES. CDN.. NO. 9

Det. No.	DESIGNATION	No. per Illus.	V. A. O. S.		Manufacturers Number	Cir. Ref.	Repair Schedule								
			Sect.	Number			Unit	Echelon							
								1st	2nd	4th					
	<p>● KEY AND PLUG ASSEMBLIES, CDN, NO. 9, TYPE 2</p>														
1	CORDS, 2-Core, No. C3.....	1	Z1	ZA/CAN 0715	RCA 110072-1										
2	HOUSINGS, Metal, Key & Plug Assemblies, No. C2.....	1	Z1	ZA/CAN 0924				X	X						
	KEYS, W/T, 8-Amp, No. C3.....	1	Z1	ZA/CAN 0925											
3	BARS, Keys W/T 8-Amp, No. C2.....	1	Z1	ZA/CAN 0961											
4	BASES, Phenolic, Keys W/T 8-Amp, No. C2....	1	Z1	ZA/CAN 0962											
5	BRACKETS, J-shape, Keys W/T 8-Amp, No. C1..	1	Z1	ZA/CAN 0965											
6	BRACKETS, Contact, Keys W/T 8-Amp, No. C1..	1	Z1	ZA/CAN 0963											
7	BRACKETS, Pivot, Keys W/T 8-Amp, No. C1....	1	Z1	ZA/CAN 0964											
8	CONNECTIONS, Flexible, Keys W/T 8-Amp, No. C2.....	1	Z1	ZA/CAN 0966											
9	GUARDS, Keys W/T 8-Amp, No. C2.....	1	Z1	ZA/CAN 0967											
10	KNOBS, Keys W/T 8-Amp, No. C2.....	1	Z1	ZA/CAN 0968											
11	NUTS, ANC, Brass, Hex, 8-32.....	1	Z2	ZB/CAN 3227	R 15016-7										
12	NUTS, ANF, Brass, Hex, 10-32.....	1	Z2	ZB/CAN 3240											
13	PINS, Keys W/T 8-Amp, No. C2.....	1	Z1	ZA/CAN 0973											
14	SCREWS, Adjusting, Keys W/T 8-Amp, No. C2..	1	Z1	ZA/CAN 0970											
15	SCREWS, Contact, Keys W/T 8-Amp, No. C2....	1	Z1	ZA/CAN 0971											
16	SCREWS, Terminal, Keys W/T 8-Amp, No. C2...	3	Z1	ZA/CAN 0972											
17	SPRINGS, Helical, Keys W/T 8-Amp, No. C2....	1	Z1	ZA/CAN 0974											
18	SPACERS, Metal, 1/4-in. OD, 9/64-in. ID, .113-in. long.....	2	Z1	ZA/CAN 0969											
19	PLATES, Metal, Adaptor, Key & Plug Assemblies, No. C2.....	1	Z1	ZA/CAN 0927											
20	PLUGS, Single, PL 55.....	1	Z1	ZA/CAN 0928	RCA 114063										
21	SPACERS, Brass, 5/16-in. OD, 3/16-in. ID, .124-in. long.....	4	Z1	ZA/CAN 0826											
	MOUNTING HARDWARE														
22	NUTS, ANF, Brass, Hex, 6-40, 1/4-in. af....		Z2	ZB/CAN 0923											
23	SCREWS, ANC, Brass, BH, 3-48 x 1/8-in.....		Z2	ZB/CAN 0883											
24	SCREWS, ANC, Steel, BH, 4-40 x 1/8-in.....		Z2	ZB/CAN 0748											
25	SCREWS, ANF, Steel, Csk H, 6-40 x 5/16-in...		Z2	ZB/CAN 0803											
26	SCREWS, ANF, Steel, Csk H, 6-40 x 3/8-in...		Z2	ZB/CAN 0829											
27	SCREWS, ANF, Steel, Grub, 6-40 x 1/4-in....		Z2	ZB/CAN 0917											

● These items only are carried in Ordnance as Spares. Full designation and V.A.O.S. number MUST be quoted on indents.

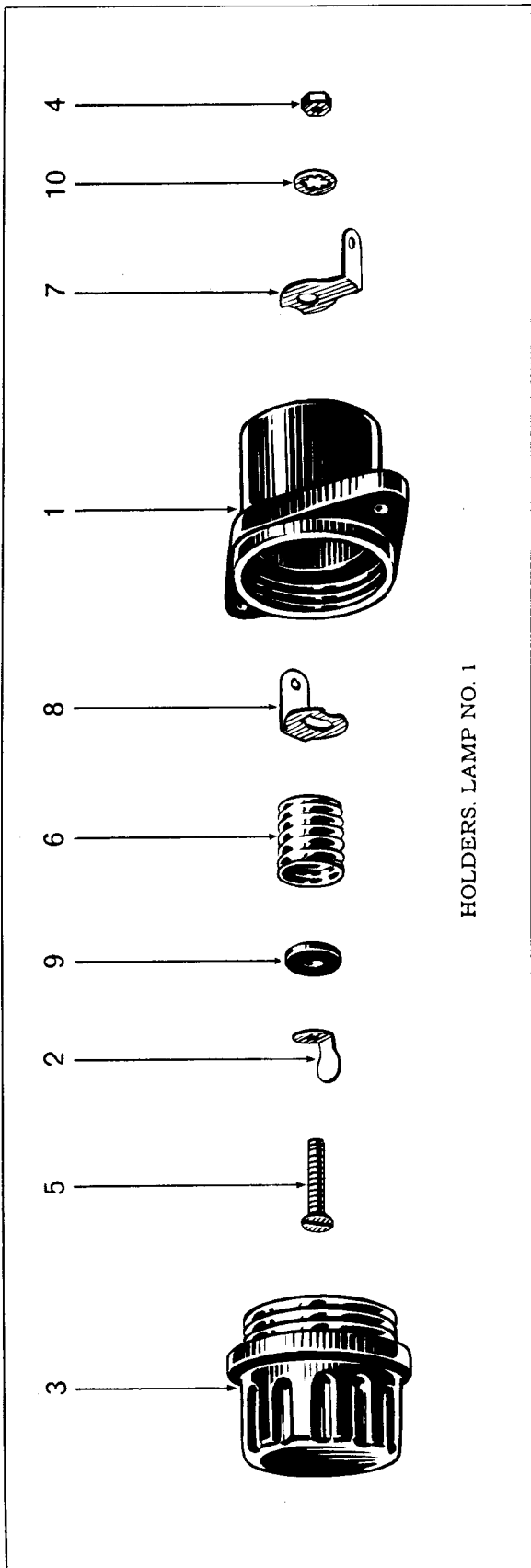


HYDROMETERS, SECONDARY CELL
PORTABLE, CDN, MK I

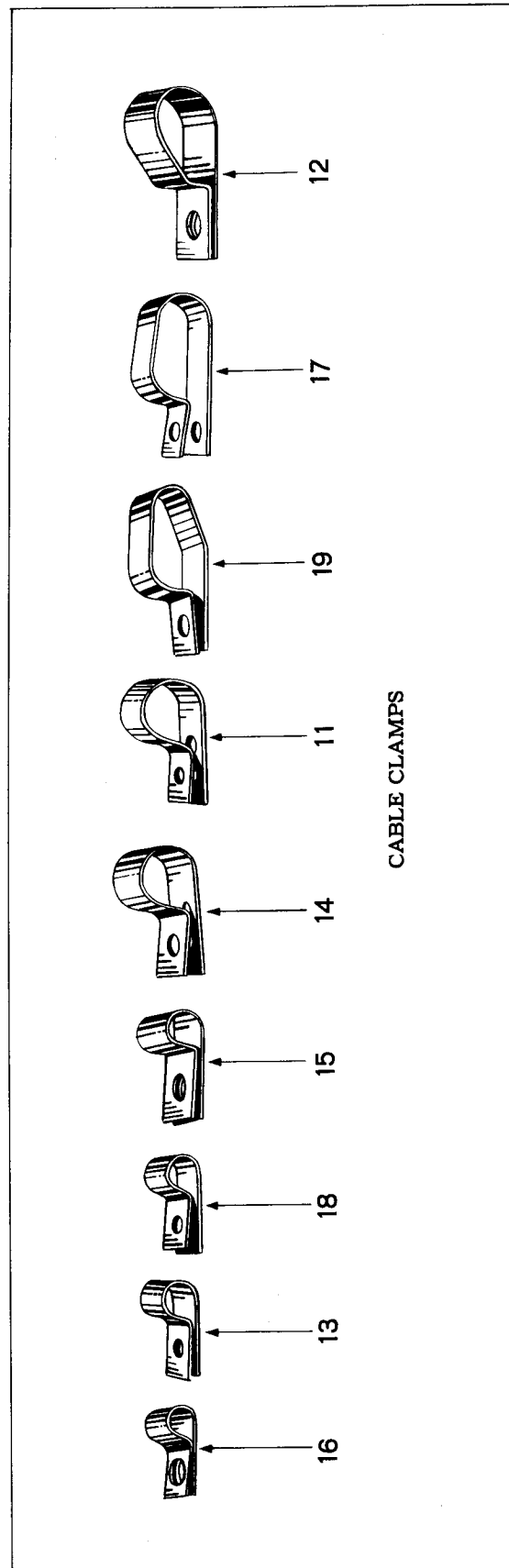


LAMPS, OPERATOR NO. 6

Det No	DESIGNATION	No. per Illus.	V. A. O. S.		Manufacturers Number	Cir Ref.	Repair Schedule			
			Sect.	Number			Unit	Echelon		
								1st	2nd	4th
	<p>● LAMPS, OPERATOR, NO. 6</p>		Z1	ZA 11521	RCA 110077-501		R	R	R	
1	BASES, Lamps Operator, No. Cl.....	1	Z1	ZA/CAN 0648	RCA 113933				R	
2	● ★ BULBS, 12-Volt, Miniature, 0.2-Amp.....	1	W2	WB/CAN 0093	PC 90615 C	X	X	X	R	
3	CLIPS, Spring, Lamps Operator, No. Cl.....	1	Z1	ZA/CAN 0649	RCA 113934				R	
4	● HOLDERS, Lamp, No. 1 (See Index).....	1	Z1	ZA 4201	PC 90614 C-1		R	R	R	
5	● NUTS, BA, Brass, Hex, No. 6.....	2	Z2	ZB/CAN 3207	R 11733-6		X	X	R	
6	PLUGS, Miniature, Screw-Base, 7/8-in. Long.	1	Z1	ZA/CAN 0650	RCA 111765-501				R	
7	SCREWS, BA, Brass, Csk H, No. 8 x 1/8-in...	2	Z2	ZB/CAN 0651					R	
8	SCREWS, BA, Steel, Ch H, No. 6 x 9/16-in...	2	Z2	ZB/CAN 2884	R 11726-9				R	
9	SLEEVES, Insulating, Lamps Operator, No. Cl	1	Z1	ZA/CAN 0652	RCA 113937				R	
10	● WASHERS, Shakeproof No. 1204.....	2	Z2	ZB/CAN 0344	RCA 59049-18 R 15019-4		X	X	X	
11	● WIRE, Electric, Q.22 (2.1/4 ft.).....	1	W2	WB 1056	RCA 113951-1		R	R	R	
	<p>HYDROMETERS, SECONDARY CELL, PORTABLE, CDN. MK I</p>		Z2	ZB/CAN 0641	RCA 114033-501					
12	● BALLS, Rubber, Hydrometer, No. Cl.....	1	Z2	ZB/CAN 0642	DSD 7-2083-8 RCA 114033-2		X	X	X	
13	● BARRELS, Hydrometer, No. Cl.....	1	Z2	ZB/CAN 0643	DSD 7-2112-A RCA 114033-6		X	X	X	
14	CASES, Packing, Hydrometer, No. Cl.....	1	Z2	ZB/CAN 0644	DSD 7-2111-A RCA 114033-3				R	
15	● FLOATS, Hydrometer, No. Cl.....	1	Z2	ZB/CAN 0645	DSD 7-2089-B RCA 114033-4		X	X	X	
16	● NOZZLES, Hydrometer, No. Cl.....	1	Z2	ZB/CAN 0646	DSD 7-2113-A RCA 114033-5		X	X	X	
17	PLUGS, Overflow Control, Hydrometer, No. Cl	1	Z2	ZB/CAN 0676	DSD 7-2115-A				R	
18	PLUGS, Reducer, Hydrometer, No. Cl.....	1	Z2	ZB/CAN 0675	DSD 7-2114-A				R	
	<p>★ This item is not a part of the Lamps Operator, No. 6, and must be indented for separately.</p>									
	<p>● These items only are carried in Ordnance as Spares. Full designation and V A O S number MUST be quoted on indents</p>									



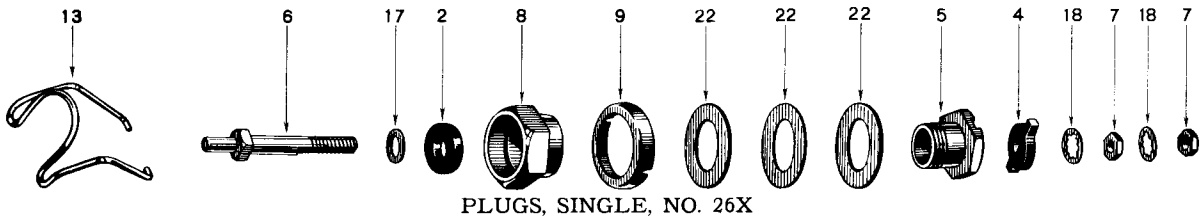
HOLDERS, LAMP NO. 1



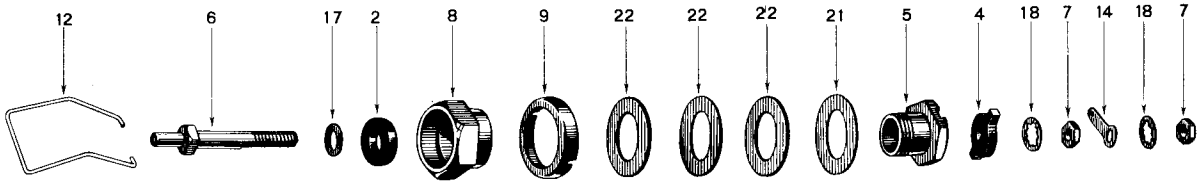
CABLE CLAMPS

HOLDERS, LAMP AND CABLE CLAMPS

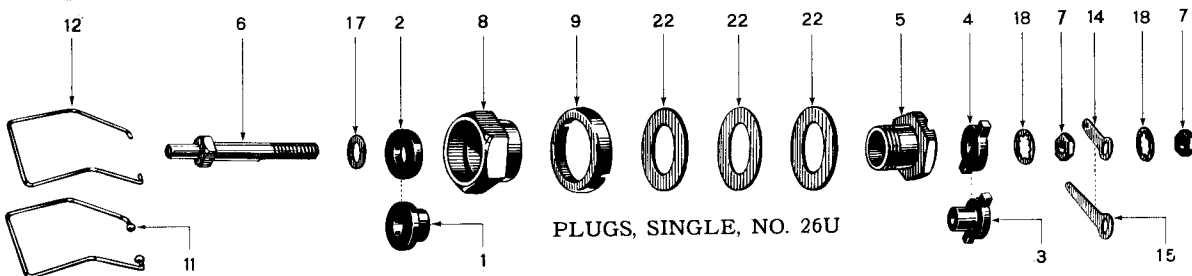
Det. No.	DESIGNATION	No. per Illus.	V. A. O. S.		Manufacturers Number	Cir. Ref.	Repair Schedule			
			Sect.	Number			Unit	Echelon		
								1st	2nd	4th
HOLDERS, LAMP AND CABLE CLAMPS										
	● HOLDERS, LAMP, NO. 1		Z1	ZA 4201	PC 90614C-1		R	R	R	
1	BASES, Holders Lamp, No. C1.....	1	Z1	ZA/CAN 0136	PC 90614C-2					R
2	CONTACTS, Sockets Screw Miniature, No. C1....	1	Z1	ZA/CAN 0109	PC 90614C-6					R
3	COVERS, Front, Red, Holders Lamp No. 1..OR...	1	Z1	ZA 9254	PC 90614C-3					X
	HOLDERS, Lamp, No. 1:-									
	● COVERS, Front, Clear..... OR...	1	Z1	ZA 4139	RCA 113931-1	X	X	X	X	
	COVERS, Front, Green.....	1	Z1	ZA 4140						X
4	● NUTS, BA, Brass, Hex, No. 6.....	1	Z2	ZB/CAN 3207	R 11733-6		X	X	X	R
5	● SCREWS, BA, Brass, Csk H, No. 6 x 1/2-in....	1	Z2	ZB/CAN 2629	R 11714-8		X	X	X	R
6	● SOCKETS, Screw, Miniature, No. C1.....	1	Z1	ZA/CAN 0158	PC 90614C-4					R
7	TAGS, Holders Lamp, No. C1.....	1	Z1	ZA/CAN 0113	PC 90614C-7					R
8	TAGS, Holders Lamp, No. C2.....	1	Z1	ZA/CAN 0156	PC 90614C-8					R
9	WASHERS, Phenolic, 11/32-in. OD, 1/8-in. ID, .062-in. Thick.....	1	Z1	ZA/CAN 0107	PC 90614C-5					R
10	● WASHERS, Shakeproof No. 1204.....	1	Z2	ZB/CAN C344	[R 15019-4 RCA 59049-18	X	X	X	X	
CABLE CLAMPS										
11	● CLAMPS, Metal, Cable, No. C1.....		Z1	ZA/CAN 1238	PC 90779C Det.1		R	R	R	
12	● CLAMPS, Metal, Cable, No. C2.....		Z1	ZA/CAN 1246	PC 90779C Det.4		R	R	R	
13	● CLAMPS, Metal, Cable, No. C3.....		Z1	ZA/CAN 1239	PC 90779C Det.5		R	R	R	
14	● CLAMPS, Metal, Cable, No. C4.....		Z1	ZA/CAN 1247	PC 90779C Det.6		R	R	R	
15	● CLAMPS, Metal, Cable, No. C5.....		Z1	ZA/CAN 1248	PC 90779C Det.8		R	R	R	
16	● CLAMPS, Metal, Cable, No. C6.....		Z1	ZA/CAN 1240	PC 90779C Det.14		R	R	R	
17	● CLAMPS, Metal, Cable, No. C7.....		Z1	ZA/CAN 1243	PC 90779C Det.10L		R	R	R	
18	● CLAMPS, Metal, Cable, No. C8.....		Z1	ZA/CAN 1242	PC 90779C Det.10M		R	R	R	
19	● CLAMPS, Metal, Cable, No. C9.....		Z1	ZA/CAN 1244	PC 90779C Det.10S		R	R	R	
<p>● These items only are carried in Ordnance as Spares. Full designation and V.A.O.S. number MUST be quoted on indents.</p>										



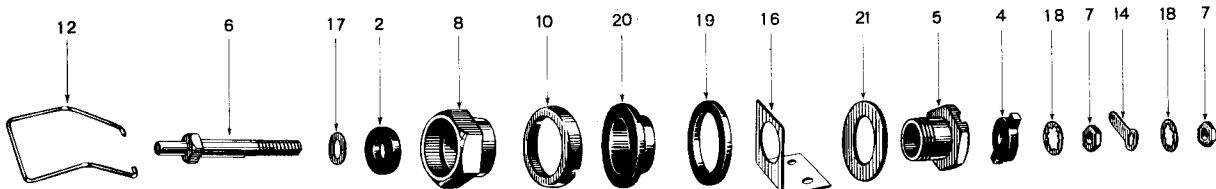
PLUGS, SINGLE, NO. 26X



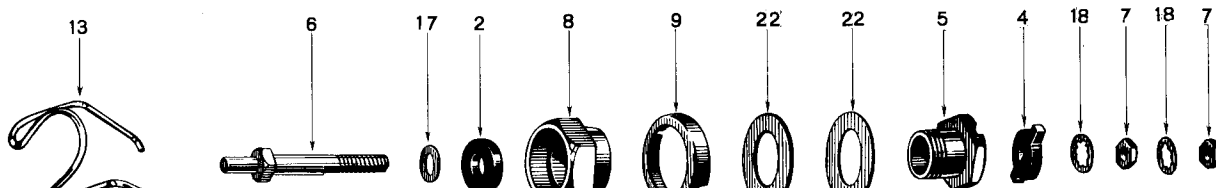
PLUGS, SINGLE, NO. 26V



PLUGS, SINGLE, NO. 26U



PLUGS, SINGLE, NO. 26W

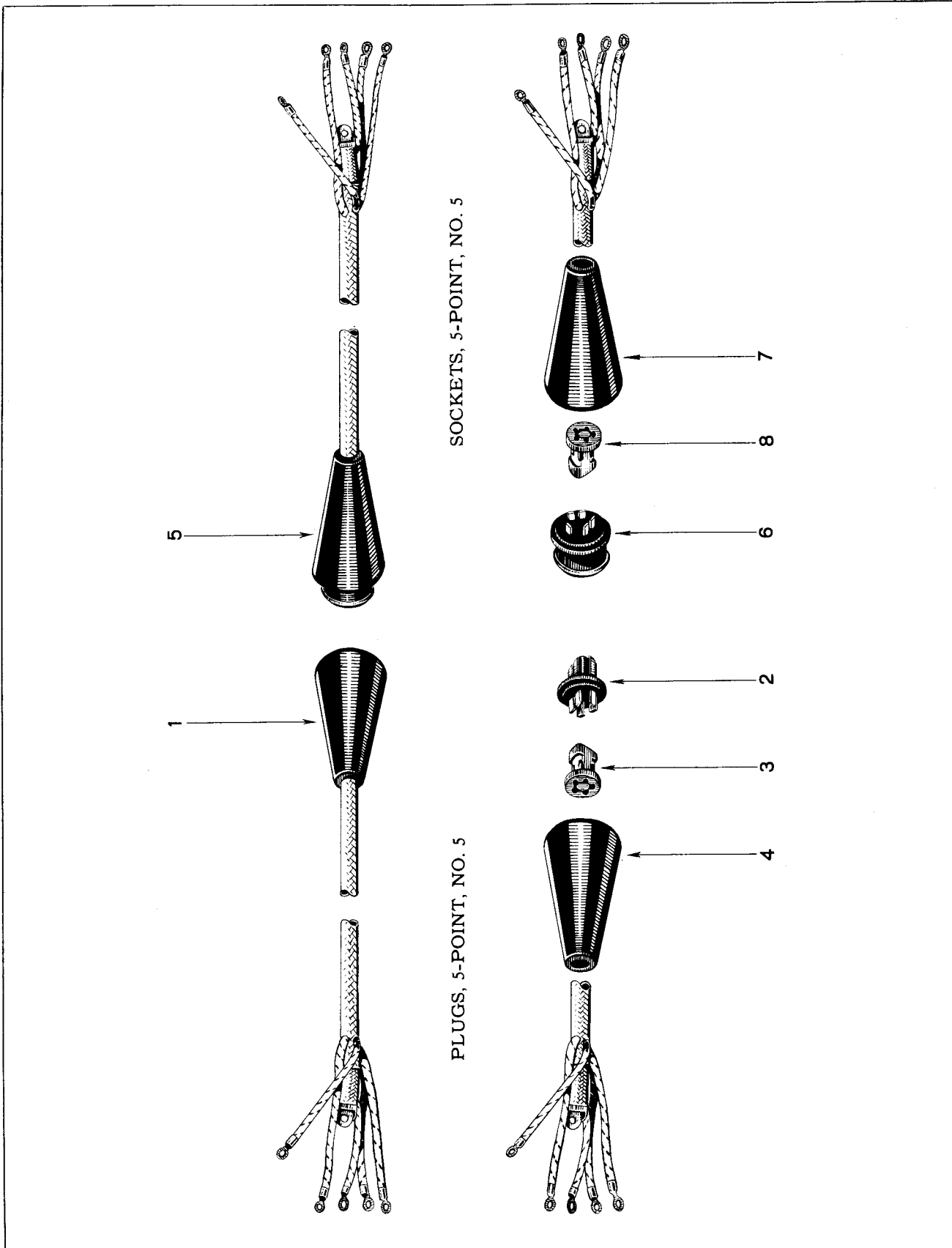


PLUGS, SINGLE, NO. 26Y

PLUGS SINGLE

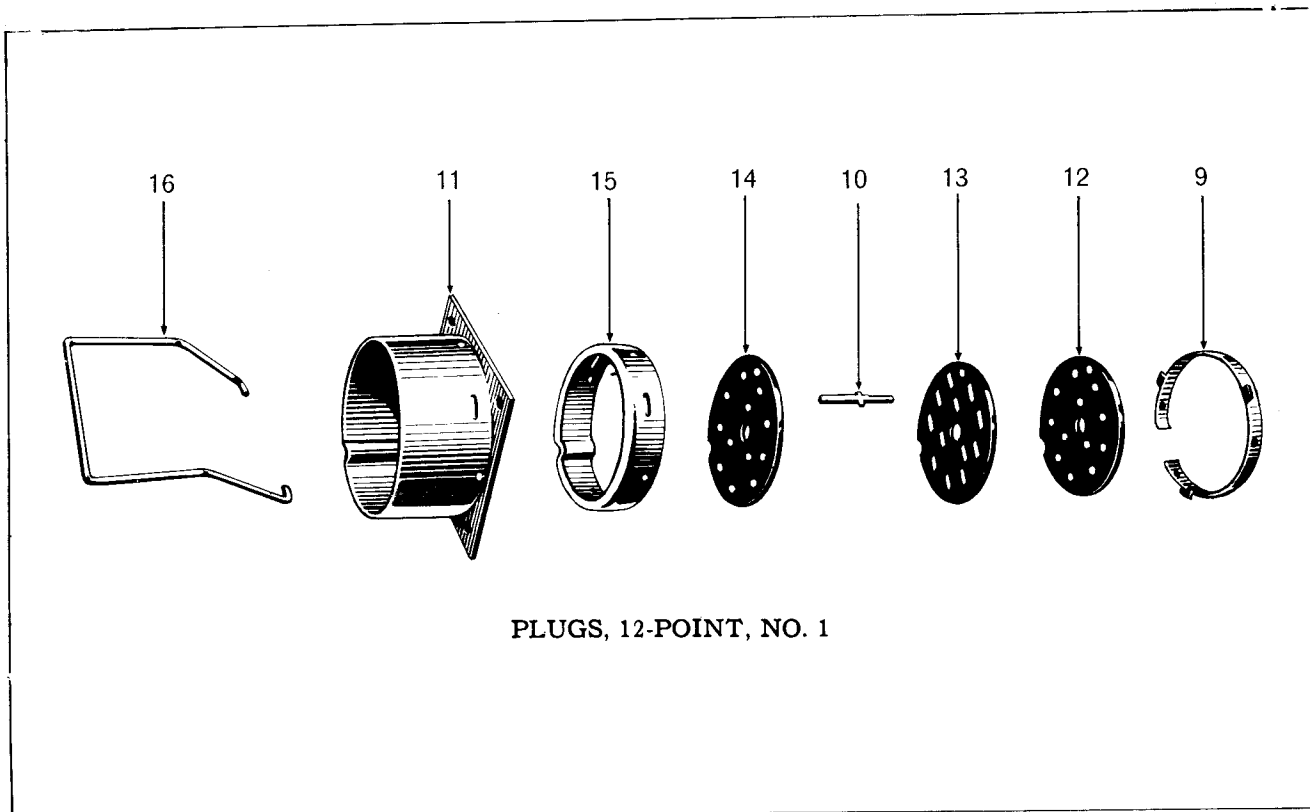
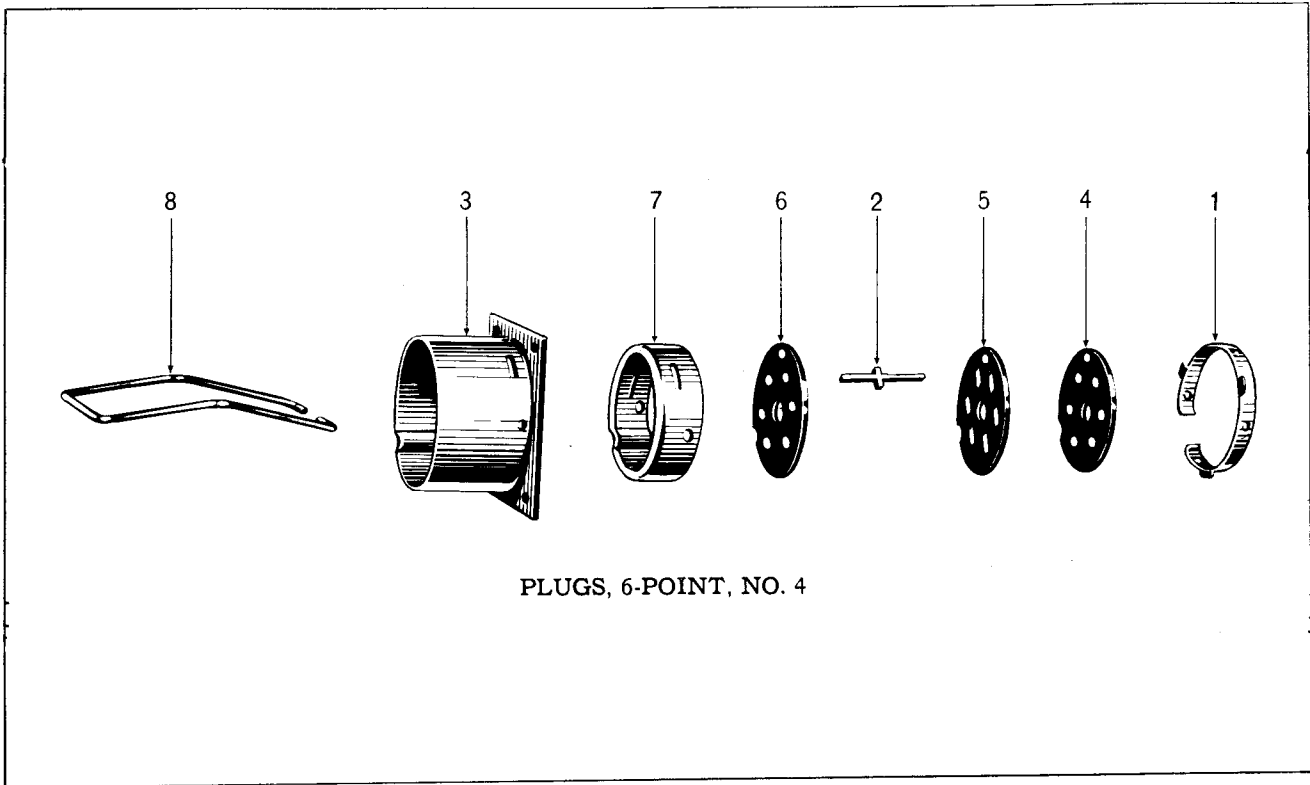
Det. No.	DESIGNATION	No. per Illus.	V. A. O. S.				Manufacturers Number	Cir. Ref.	Repair Schedule				
			Sect.	Number	Unit	Echelon							
						1st			2nd	4th			
	PLUGS, SINGLE												
	● PLUGS, SINGLE, NO. 26 U		U		Z1	ZA/CAN 0035	PC 75512 C	PL4B	ER	R	R	R	R
	● PLUGS, SINGLE, NO. 26 V		V		Z1	ZA/CAN 0388	PC 75512 C	PL4A	ER	R	R	R	R
	● PLUGS, SINGLE, NO. 26 W		W		Z1	ZA/CAN 0389	PC 75512 C-194	PL5A	ER	R	R	R	R
	● PLUGS, SINGLE, NO. 26 X		X		Z1	ZA/CAN 0390	PC 75510 C-191		ER	R	R	R	R
	● PLUGS, SINGLE, NO. 26 Z		Y		Z1	ZA/CAN 0391	PC 75510 C-191		ER	R	R	R	R
1	BUSHES, Insulating, Plugs Single No. 26	1	1	1	1	Z1	ZA/CAN 0091	PC 55406 C					R
2	WASHERS, Insulating, Plugs Single No. 26	1	1	1	1	Z1	ZA/CAN 0048	PC 55406					R
3	BUSHES, Insulating, Locking, Plugs Single No. 26	1	1	1	1	Z1	ZA/CAN 0090	PC 55467 C					R
4	WASHERS, Insulating, Locking, Plugs Single No. 26	1	1	1	1	Z1	ZA/CAN 0049	PC 55467					R
5	BUSHINGS, Plugs Single, 1/2-in. long.	1	1	1	1	Z1	ZA/CAN 0036	PC 31893 C					R
6	CONTACTS, Plugs Single, 1.3/8-in. long	1	1	1	1	Z1	ZA/CAN 0038	PC 31892 C					R
7	NUTS, BA, Brass, Hex, No. 3, Special.	2	2	2	2	Z1	ZA/CAN 0037	PC 31895					R
8	RECEPTACLES, Plugs Single, 7/16-in. long, 5/8-in. A/F.	1	1	1	1	Z1	ZA/CAN 0039	PC 31898 C					R
9	RINGS, Retaining, No. 1	1	1	1	1	Z1	ZA 19823	PC 43904					R
10	RINGS, Retaining, No. Cl.	1	1	1	1	Z1	ZA/CAN 0373	PC 43904 C-191					R
11	● SPRINGS, Retaining, No. 5	1	1	1	1	Z1	ZA 14330	PC 64299		X	X		R
12	● SPRINGS, Retaining, No. Cl.	1	1	1	1	Z1	ZA/CAN 0041	PC 90154 C					R
13	● SPRINGS, Retaining, No. C4	1	1	1	1	Z1	ZA/CAN 0369	PC 90698 C					R
14	TAGS, Zierick No. 9	1	1	1	1	Z1	ZA/CAN 0325	RCA 111840-1					R
15	TAGS, Shakeproof No. 2523-8	1	1	1	1	Z1	ZA/CAN 0042	[RCA 67592-12 PC 72740 C					X
16	TAGS, Plugs Single No. 26	1	1	1	1	Z1	ZA/CAN 0370	PC 45928 C					R
17	● WASHERS, Brass, 9/32-in. OD, .166-in. ID, .015-in. thick	1	1	1	1	Z1	ZA/CAN 0046	PC 45610 C		X	X		R
	WASHERS, Insulating, Plugs Single (see detail No. 2)												
	WASHERS, Insulating, Locking, Plugs Single (see detail No. 4)												
18	● WASHERS, Shakeproof No. 1208	2	2	2	2	Z2	ZB/CAN 0346	[RCA 59049-20 R 15019-8		X	X		X
	MOUNTING HARDWARE												
19	WASHERS, Phenolic, 3/4-in. OD, 15/32-in. ID, .075-in. thick	1	1	1	1	Z1	ZA/CAN 0371	PC 75512 C-193					R
20	WASHERS, Phenolic, Extruded, 3/4-in. OD, 7/16-in. ID	1	1	1	1	Z1	ZA/CAN 0372	PC 75512 C-192					R
21	● WASHERS, Steel, 5/8-in. OD, 1/2-in. ID, .015-in. thick	1	1	1	1	Z2	ZB/CAN 0017	PC 43774 C-191		X	X		R
	● WASHERS, Steel, 3/4-in. OD, 29/64-in. ID, .032-in. thick	1	1	1	1	Z2	ZB/CAN 0255	RCA 102548-18		X	X		R
22	● WASHERS, Steel, 3/4-in. OD, 29/64-in. ID, .062-in. thick	3	3	3	2	Z2	ZB/CAN 0047	PC 43774		X	X		R

● These items only are carried in Ordnance as Spares. Full designation and V.A.O.S. number MUST be quoted on indents.



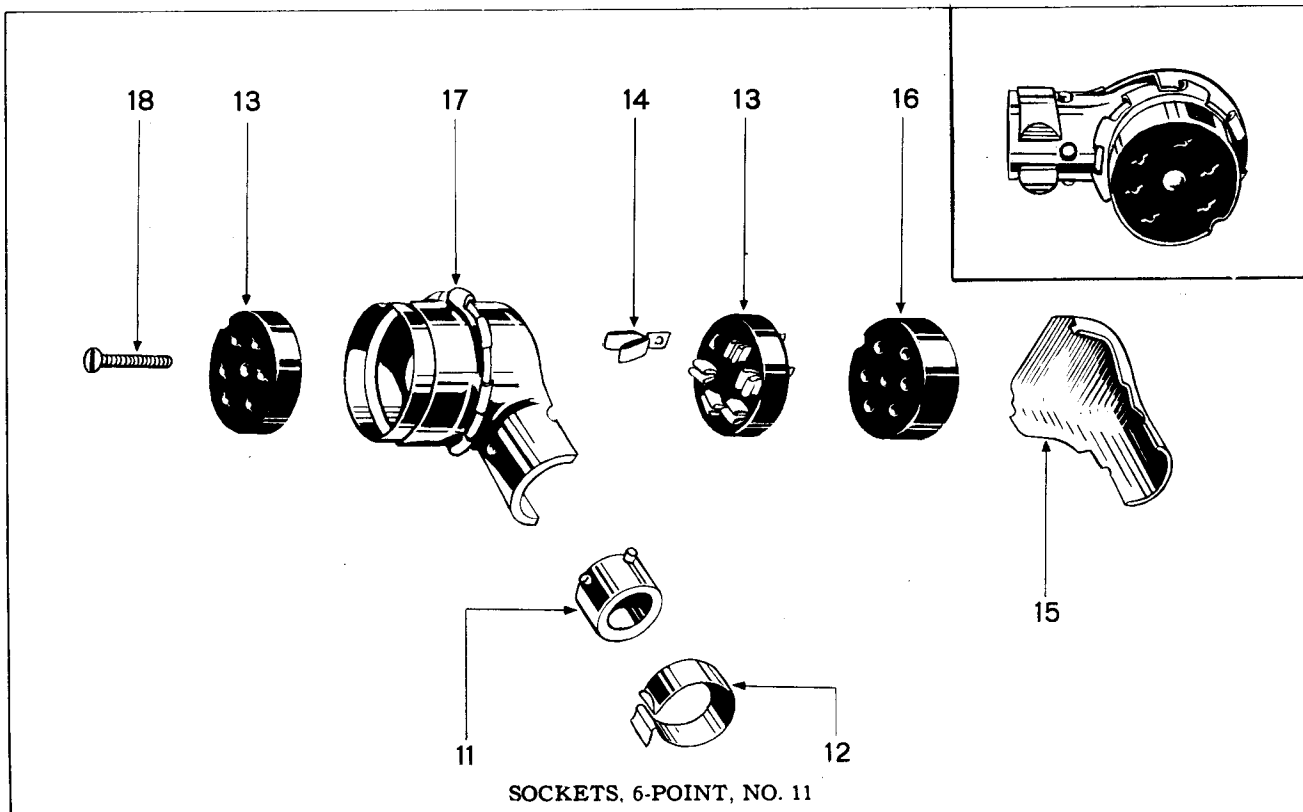
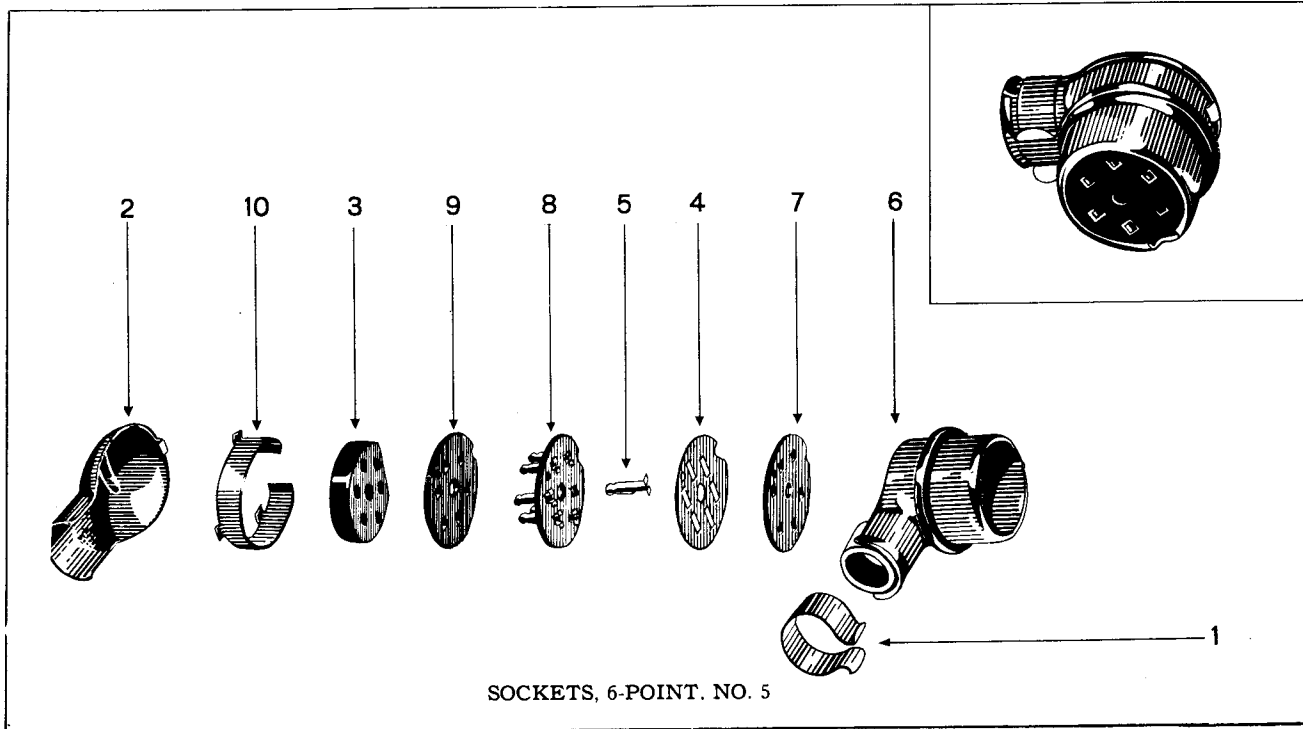
PLUGS, 5-POINT AND SOCKETS, 5-POINT

Det. No.	DESIGNATION	No. per Illus.	V. A. O. S.		Manufacturers Number	Cir. Ref.	Repair Schedule			
			Sect.	Number			Unit	Echelon		
								1st	2nd	4th
	PLUGS, 5-POINT AND SOCKETS, 5-POINT									
1	PLUGS, 5-POINT, NO. 5		Z1	ZA/CAN/BR 1853						R
2	CONTACT ASSEMBLIES, Plugs 5-Point.....	1	Z1	ZA/CAN 0636	PC 76483 C					R
3	CORD GRIPS, Plugs 5-Point.....	1	Z1	ZA/CAN 0637	PC 90680 C					R
4	COVERS, Rubber, Plugs 5-Point.....	1	Z1	ZA/CAN 0638	PC 90738 C					X
5	SOCKETS, 5-POINT, NO. 5		Z1	ZA 2994	RCA 118392-1					R
6	CONTACT ASSEMBLIES, No. 18.....	1	Z1	ZA 14778	PC 76484 C					R
7	COVERS, Rubber, No. 4.....	1	Z1	ZA 12345	PC 90737					X
8	GRIPS, Cord, No. 1.....	1	Z1	ZA 14695	PC 90681 C					R



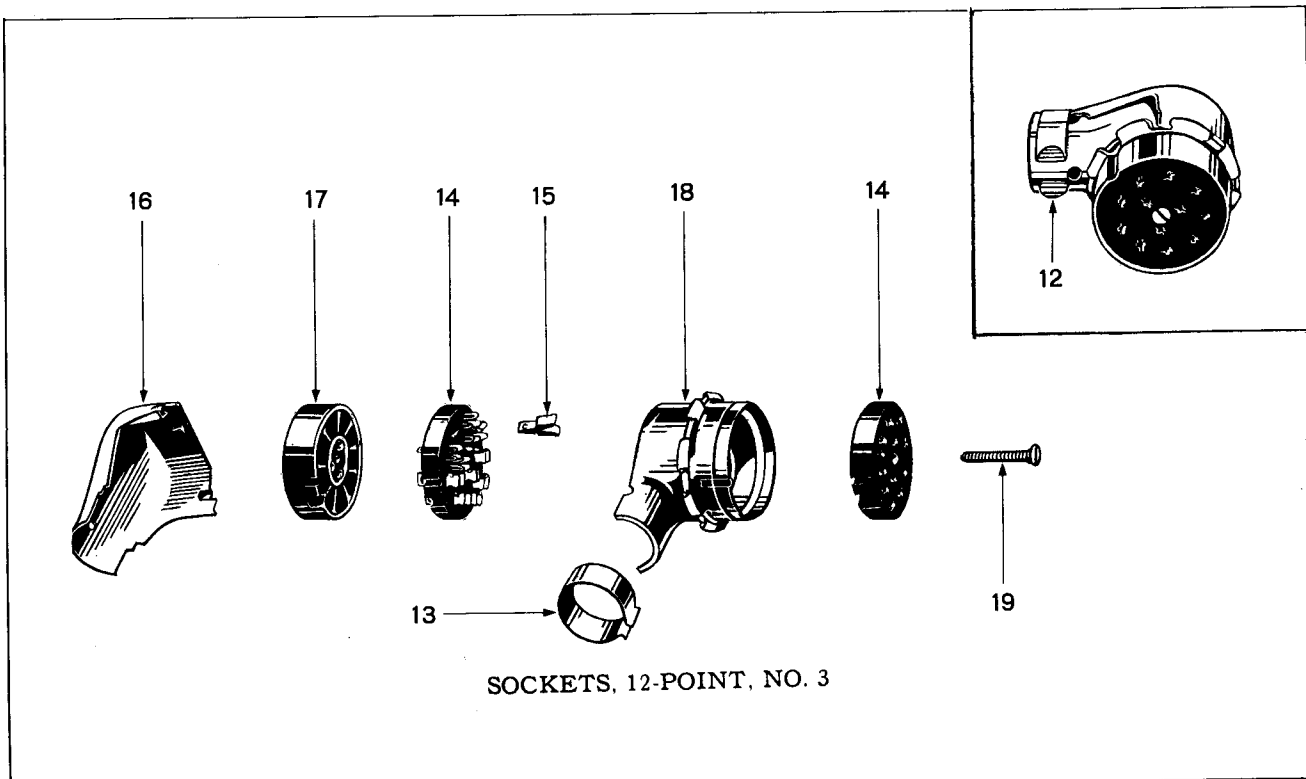
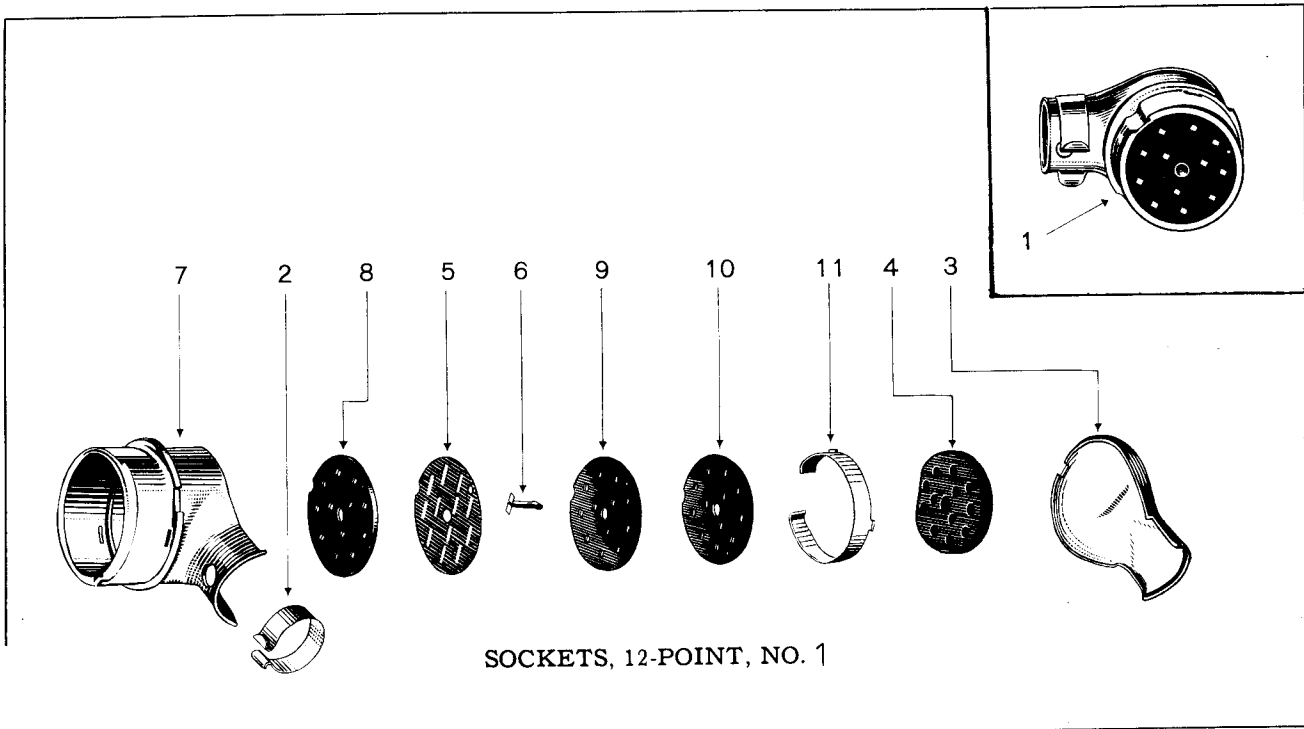
PLUGS, 6-POINT AND 12-POINT

Det. No.	DESIGNATION	No. per Illus.	V. A. O. S.		Manufacturers Number	Cir. Ref.	Repair Schedule			
			Sect.	Number			Unit	Echelon		
								1st	2nd	4th
PLUGS, 6-POINT AND 12-POINT										
	● PLUGS, 6-POINT, NO. 4		Z1	ZA/CAN/BR 2815	PC 754290			R	R	R
1	CLIPS, Retaining, No. 17.....	1	Z1	ZA 14906	PC 905130					R
2	CONTACTS, Plug, No. 2.....	6	Z1	ZA 14917	PC 65041C					R
3	HOUSINGS, Plugs, No. 2.....	1	Z1	ZA 14905	PC 905030					R
4	PLATES, Contact, No. 9.....	1	Z1	ZA 14907	PC 45695 C/R					R
5	PLATES, Contact, No. 10.....	1	Z1	ZA 14908	PC 45696C					R
6	PLATES, Contact, No. 11.....	1	Z1	ZA 14909	PC 45695 C/F					R
7	RINGS, Retaining, No. 6.....	1	Z1	ZA 14910	PC 90508C					R
8	● SPRINGS, Retaining, No. C2.....	1	Z1	ZA/CAN 0154	PC 90521C	X	X	X		X
	● PLUGS, 12-POINT, NO. 1		Z1	ZA/CAN/BR 2816	PC 754230			R	R	R
9	CLIPS, Retaining, No. 18.....	1	Z1	ZA 14912	PC 90512C					R
10	CONTACTS, Plug, No. 2.....	12	Z1	ZA 14917	PC 65041C					R
11	HOUSINGS, Plugs, No. 3.....	1	Z1	ZA 14911	PC 90502C					R
12	PLATES, Contact, No. 12.....	1	Z1	ZA 14913	PC 45689 C/R					R
13	PLATES, Contact, No. 13.....	1	Z1	ZA 14914	PC 45690C					R
14	PLATES, Contact, No. 14.....	1	Z1	ZA 14915	PC 45689 C/F					R
15	RINGS, Retaining, No. 5.....	1	Z1	ZA 14916	PC 90507C					R
16	● SPRINGS, Retaining, No. C3.....	1	Z1	ZA/CAN 0167	PC 90520C	X	X	X		R
<p>● These items only are carried in Ordnance as Spares. Full designation and V.A.O.S. number MUST be quoted on indents.</p>										



SOCKETS, 6-POINT

Det. No.	DESIGNATION	No. per Illus.	V. A. O. S.		Manufacturers Number	Cir. Ref.	Repair Schedule			
			Sect.	Number			Unit	Echelon		
								1st	2nd	4th
SOCKETS, 6-POINT										
	● SOCKETS, 6-POINT, NO. 5		Z1	ZA/CAN/BR 10266	PC 75430 C			R	R	R
1	● CLIPS, Spring, No. 19.....	1	Z1	ZA 10297	PC 90546 C	X	R	R		R
2	COVERS, Sockets 6-Point No. 5.....	1	Z1	ZA 10377	PC 90541					R
3	PLATES, Centering, Sockets 6-Point.....	1	Z1	ZA/CAN 1124	PC 45697 C-192					R
4	PLATES, Mounting, 1.18-in. OD.....	1	Z1	ZA/CAN 0789	PC 45697 C-191					R
5	SOCKETS, Contact, No. 1.....	6	Z1	ZA 10383	PC 90559 C					R
	SOCKETS, 6-Point, No. 5:-									
6	BODIES.....	1	Z1	ZA 10385	PC 90536					R
7	CONTACT PLATES, No. 1.....	1	Z1	ZA 10489	PC 45697 C/F					R
8	CONTACT PLATES, No. 2.....	1	Z1	ZA 10490	PC 45697 C					R
9	CONTACT PLATES, No. 3.....	1	Z1	ZA 10491	PC 45697 C/R					R
10	SPRINGS, Retaining, Sockets 6-Point.....	1	Z1	ZA/CAN 0812						
	● SOCKETS, 6-POINT, NO. 11		Z1	ZA/CAN/BR 10623	PC 84712 C-501			R	R	R
11	BUSHES, Sockets, No. 2.....	1	Z1	ZA 10632	PC 55580 C					R
12	● CLIPS, Spring, No. 19.....	1	Z1	ZA 10297	PC 90546 C	X	R	R		R
13	CONTACT PLATES, No. 2.....	2	Z1	ZA 10633	PC 55576 C					R
14	CONTACTS, Sockets, No. 1.....	6	Z1	ZA 10626	PC 65612 C					R
15	COVERS, Sockets, No. 2.....	1	Z1	ZA 10631	PC 65615 C					R
16	GUIDE PLATES, Socket, No. 2.....	1	Z1	ZA 10634	PC 55578 C					R
17	HOUSINGS, Socket, No. 2.....	1	Z1	ZA 10630	PC 84583 C					R
18	SCREWS, BA, Brass, Csk H, No. 4 x 1-in.....	1	Z2	ZE/CAN 2624	R 11713-16					R
<p>● These items only are carried in Ordnance as Spares. Full designation and V.A.O.S. number MUST be quoted on indents.</p>										



SOCKETS, 12-POINT

Det. No.	DESIGNATION	No. per Illus.	V. A. O. S.		Manufacturers Number	Cir. Ref.	Repair Schedule			
			Sect.	Number			Unit	Echelon		
								1st	2nd	4th
SOCKETS, 12-POINT										
1	● SOCKETS, 12-POINT, NO. 1	1	Z1	ZA/CAN/BR 10295	PC 75424C		R	R	R	
2	● CLIPS, Spring, No. 18.....	1	Z1	ZA 10298	PC 90545C		R	R	R	
3	COVERS, Sockets 12-Point No. 1.....	1	Z1	ZA 10376	PC 90540C				R	
4	PLATES, Centering, Sockets 12-Point.....	1	Z1	ZA/CAN 0759	PC 45691C-192				R	
5	PLATES, Mounting, Sockets 12-Point.....	1	Z1	ZA/CAN 0760	PC 45691C-191				R	
6	SOCKETS, Contact No. 1.....	12	Z1	ZA 10383	PC 90559C				R	
	SOCKETS, 12-Point, No. 1:-									
7	BODIES.....	1	Z1	ZA 10389	PC 90535C				R	
8	CONTACT PLATES, No. 1.....	1	Z1	ZA 10492	PC 45691 C/F				R	
9	CONTACT PLATES, No. 2.....	1	Z1	ZA 10493	PC 45691C				R	
10	CONTACT PLATES, No. 3.....	1	Z1	ZA 10494	PC 45691 C/R				R	
11	SPRINGS, Retaining, Sockets 12-Point.....	1	Z1	ZA/CAN 0762	PC 90355C				R	
12	● SOCKETS, 12-POINT, NO. 3	1	Z1	ZA/CAN/BR 10622	PC 84711C		R	R	R	
13	● CLIPS, Spring, No. 18.....	1	Z1	ZA 10298	PC 90545C		R	R	R	
14	CONTACT PLATES, No. 1.....	2	Z1	ZA 10628	PC 55575C				R	
15	CONTACTS, Sockets, No. 1.....	12	Z1	ZA 10626	PC 65612C				R	
16	COVERS, Sockets 12-Point.....	1	Z1	ZA/CAN 0767	PC 65618C				R	
17	GUIDE PLATES, Socket, No. 1.....	1	Z1	ZA 10629	PC 55577C				R	
18	HOUSINGS, Sockets 12-Point.....	1	Z1	ZA/CAN 0769	PC 84584C				R	
19	● SCREWS, BA, Brass, Csk H, No. 4 x 1-in.....	1	Z2	ZE/CAN 2624	R 11713-16		EX	X	X	R

● These items only are carried in Ordnance as Spares. Full designation and V.A.O.S. number MUST be quoted on indents.

INDEX

NOTE: If the person using this list has no idea whatsoever of the name of the sub-assembly or unit in which the Part he is seeking is located, he should refer first to the SET AND STANDARD KIT (Page 2) or to the INSTALLATION KIT (Pages 4-22) for the vehicle upon which he is working. These are set in heavy block type for quick reference and will serve as a picture index to the desired unit. Other heavy type set designations serve also as a further reference to sub-assemblies or groups. (e.g. - Supply Unit No. 2).

	Catalogue Number	Page No.		Catalogue Number	Page No.
"A" SET, AF & POWER AMPLIFIER...		34	BASE ASSEMBLIES, Aerial Masts, No. Cl.....	ZA/CAN 0935	106
"A" SET, RF SECTION.....		36	BATTERY TESTERS.....		158
ADAPTORS, "V", Laport.....	ZA/CAN 0702	110	BOTTOM OF CHASSIS, W/R/C Units....		100
ADAPTOR ASSEMBLIES, Aerial Masts, No. Cl.....	ZA/CAN 1012	106	BOTTOM OF PLATFORM, Supply Units No. 2.....		74
AERIALS, 70-Ft, No. 1.....	ZA 11530	112	BOXES, Junction.....		92 94
AERIALS, 90-Ft, No. 1.....	ZA 11531	112	BRACKETS, Mounting, Assemblies, Vehicle.....	ZA/CAN 1037	108
AERIALS, 110-Ft, No. 1.....	ZA 11532	112	BREAST PLATES, Microphones Hand, No. Cl.....	ZA/CAN 0705	152
AERIALS, 150-Ft, No. 2.....	ZA 11533	112	BULB HOLDERS.....		160
AERIALS, 185-Ft, No. 1.....	ZA 11534	112	CABLE CLAMPS.....		160
AERIALS, 250-Ft, No. 1.....	ZA 11535	112	CAPACITOR ASSEMBLY, P.A.....		40
AERIALS, Dummy, No. Cl.....	ZA/CAN 0677	110	CAPACITOR & DRIVE UNITS.....		42
AERIAL BASES, No. 8, Mk I.....	ZA 1763	110	CARRIERS, Sets, No. 21.....	ZA 3102	60
AERIAL BASES, No. 9.....	ZA 1764	110	CARRIERS, Sets, No. 22.....	ZA 3103	62
AERIAL BASES, No. 9A.....	ZA 10322	110	CARRIERS, Sets, No. 23.....	ZA 10315	64
AERIAL EQUIPMENT.....		110	CARRIERS, Universal, Mk I, Installation Kits.....		10
AERIAL FEEDER ASSEMBLIES, No. 1.	ZA 2990	114	CARS, Armoured, Cdn, Fox, 1, Installation Kits.....		4
AERIAL FEEDER ASSEMBLIES, No. 2.	ZA 2991	114	CARS, Light, Recce, Cdn, Otter I, Installation Kits.....		6
AERIAL FEEDER ASSEMBLIES, No. 3.	ZA 2992	114	CARS, Scout, Cdn, Lynx I & II, Installation Kits.....		8
AERIAL FEEDER ASSEMBLIES, No. 4.	ZA 2957	114	CASE ASSEMBLIES, Aerial Variometer.....		24
AERIAL FEEDER ASSEMBLIES, No. 5.	ZA 2958	116	CASE ASSEMBLIES, W/R/C Units.....		100
AERIAL FEEDER ASSEMBLIES, No. 7.		116	CASES, Metal, No. 2.....	ZA 14479	60
AERIAL FEEDER ASSEMBLIES, No. 9.		116	CASES, Metal, No. Cl.....	ZA/CAN 0110	60
AERIAL KIT ASSEMBLIES, No. Cl...	ZA/CAN 0944	108	CASES, Spare Parts, No. Cl (and Contents).....		78
AERIAL MASTS.....		106	CHASSIS (Top View), Wireless Sets.....		28
AERIAL MASTS:-ADAPTOR ASSEMBLIES		106	CHASSIS (Underside), Wireless Sets.....		30
AERIAL MASTS:-BASE ASSEMBLIES...		106	CHASSIS AND VALVE LAYOUT		58
AERIAL MASTS:-STAYS INSULATING..		108	CHARGING, Panel.....		104
AERIAL VARIOMETER Mk II:-CASE ASSEMBLY.....		24	CLAMPS, Cable.....		160
AERIAL VARIOMETER Mk II:-COIL ASSEMBLY.....		26	COIL ASSEMBLY, Aerial Variometer Mk II.....		26
ANTENNAE, Vertical:-MASTS, Steel, Telescopic.....		106	COMMAND TANK or O.P., Ram II, Installation Kits.....		12
ANTENNAE RODS "F" :-SECTIONS' No. Cl, C2 & C3.....		110	CONDENSER DRIVES, No. 1.....		44
ANTENNAE RODS "G" :-SECTIONS.....	ZA 1771	110	CONDENSER & DRIVE, No. C3.....		42
ANTENNAE MASTS, Adaptors & Bases.....		106	CONNECTORS, 4-Point, No. 32.....	ZA/CAN/BR 10311	126
ARMOURED CARS, Fox I, Installation Kits.....		4			
"B" SET, Wireless Sets Cdn No. 19.....		38			
BASES, Aerial.....		110			

	Catalogue Number	Page No.		Catalogue Number	Page No.
CONNECTORS, 4-Point, No. 40, Mk I.....	ZA/CAN/BR 10509	128	CONNECTORS, Twin, No. 88.....	ZA/CAN/BR 10242	124
CONNECTORS, 4-Point, No. 41.....	ZA/CAN/BR 10512	126	CONNECTORS, Twin, No. 191.....	ZA/CAN 1475	124
CONNECTORS, 5-Point, No. 14.....	ZA/CAN/BR 10513	126	CONNECTORS, Twin, No. 192.....	ZA/CAN 1410	124
CONNECTORS, 6-Point, No. 4B.....	ZA/CAN/BR 10282	128	CONNECTORS, Twin, No. 193.....	ZA/CAN 1439	124
CONNECTORS, 6-Point, No. 8A.....	ZA/CAN/BR 1889	128	CONNECTORS, Twin, No. 194.....	ZA/CAN 1443	124
CONNECTORS, 6-Point, No. 8A1.....	ZA/CAN 1255	128	CONTROL UNITS, No. 1, Mk II.....	ZA/CAN/BR 10243	80
CONNECTORS, 6-Point, No. 8A2.....	ZA/CAN 0831	128	CONTROL UNITS, No. 2, Mk II.....	ZA/CAN/BR 10358	82
CONNECTORS, 6-Point, No. 12A.....	ZA/CAN/BR 10281	128	CONTROL UNITS, No. 3A, Mk I.....	ZA/CAN/BR 10267	84
CONNECTORS, 6-Point, No. 12A1....	ZA/CAN 0802	128	CONTROL UNITS, No. 3A, Mk II....	ZA/CAN/BR 10360	86
CONNECTORS, 12-Point, No. 1A.....	ZA/CAN/BR 1786	130	CONTROL UNITS, No. 3B, Mk II....	ZA/CAN/BR 10361	88
CONNECTORS, 12-Point, No. 1E.....	ZA/CAN/BR 10323	130	CONTROL UNITS, No. 190, Mk II....	ZA/CAN 0813	90
CONNECTORS, 12-Point, No. 2A1....	ZA/CAN/BR 1787	130	CORDS, Microphone & Receiver, No. 2A.....	ZA/CAN/BR 14294	150
CONNECTORS, 12-Point, No. 2A2....	ZA/CAN 1105	130	CORDS, Microphone & Receiver, No. C2.....	ZA/CAN 0583	150
CONNECTORS, 12-Point, No. 2A3....	ZA/CAN 0899	130	CORDS, Microphone & Receiver Headgear Assemblies, No. C1....	ZA/CAN 1572	150
CONNECTORS, 12-Point, No. 2A4....	ZA/CAN 0901	130	CORDS, Microphone & Receiver Headgear Assemblies, No. C2....	ZA/CAN 1571	150
CONNECTORS, 12-Point, No. 3A1....	ZA/CAN 0904	130	COVERS, Protecting, No. 1.....	ZA 2950	60
CONNECTORS, 12-Point, No. 3B.....	ZA/CAN/BR 1899	130	COVERS, Protecting, No. 2.....	ZA 2951	60
CONNECTORS, 12-Point, No. 3C.....	ZA/CAN/BR 1907	130	COVERS, Waterproof, No. 1.....	ZA 2952	2
CONNECTORS, 12-Point, No. 3D.....	ZA/CAN/BR 1908	130	DRIVES, Condenser, No. 1.....	ZA 14495	44
CONNECTORS, 12-Point, No. 4A2....	ZA/CAN 0912	130	DUMMY AERIALS.....		110
CONNECTORS, 12-Point, No. 4C.....	ZA/CAN/BR 10278	130	EARPHONES.....		148
CONNECTORS, 12-Point, No. 5A.....	ZA/CAN/BR 10252	130	FEEDER ASSEMBLIES, Aerial.....		114 116
CONNECTORS, 12-Point, No. 7A.....	ZA/CAN/BR 10254	130	FLICK MECHANISM.....		44
CONNECTORS, 12-Point, No. 9A1....	ZA/CAN 0929	130	FRAMES, Protecting, Supply Units No. 2.....		60
CONNECTORS, 12-Point, No. 11A....	ZA/CAN/BR 10205	130	FRAMES, Protecting, Wireless Sets		60
CONNECTORS, 12-Point, No. 19A....	ZA/CAN/BR 10511	130	FREQUENCY CHANGE SWITCH ASSEMBLY.		56
CONNECTORS, 12-Point, No. 23A....	ZA/CAN/BR 10540	130	FRONT PANEL, Supply Units No. 2..		68
CONNECTORS, Co-Axial, No. 10.....	ZA 3141	118	FRONT PANEL, Wireless Sets.....		32
CONNECTORS, Co-Axial, No. 11.....	ZA 3142	118	FRONT PANEL, W/R/C Units.....		98
CONNECTORS, Co-Axial, No. 11A....	ZA 3143	118	GANG CONDENSER & SHIELD CAN.....		42
CONNECTORS, Single, No. 7C.....	ZA 10318	120	GRIZZLY TANK, Installation Kit...		14
CONNECTORS, Single, No. 23.....	ZA 1949	120	GRILLS, Protecting, Supply Units No. 2.....		60
CONNECTORS, Single, No. 23A.....	ZA 1951	120	GRILLS, Protecting, Wireless Sets		60
CONNECTORS, Single, No. 24.....	ZA 1952	120	HAND MICROPHONES.....		136 to 144
CONNECTORS, Single, No. 24A.....	ZA 1953	120	HEADBAND ASSEMBLIES, No. C1.....	ZA/CAN 0590	152
CONNECTORS, Single, No. 24B.....	ZA 1954	120	HEADBANDS, "C".....	ZA/CAN 0763	152
CONNECTORS, Single, No. 24C.....	ZA 1955	120	HEADBANDS, Receivers Headgear, No. C1.....	ZA/CAN 0922	152
CONNECTORS, Single, No. 33.....	ZA 10320	122	HEADGEAR ASSEMBLIES.....		146
CONNECTORS, Single, No. 191.....	ZA/CAN 1445	122	HEADGEAR AND MICROPHONE ASSEMBLIES.....		132- 134
CONNECTORS, Single, No. 192.....	ZA/CAN 1448	122	HEADPHONES.....		148
CONNECTORS, Single, No. 193.....	ZA/CAN 1450	122			
CONNECTORS, Single, No. 194.....	ZA/CAN 1474	120			
CONNECTORS, Single, No. 195.....	ZA/CAN 1451	122			
CONNECTORS, Twin, No. 53.....	ZA 2794	124			
CONNECTORS, Twin, No. 77.....	ZA/CAN/BR 10210	124			

	Catalogue Number	Page No.		Catalogue Number	Page No.
HOLDERS LAMP, No. 1.....	ZA 4201	160	MICROPHONE & RECEIVERS HEADGEAR ASSEMBLIES, No. 8, Cdn.....	ZA/CAN/BR 17603	134
HYDROMETERS, Secondary Cell, Portable, Cdn, Mk I.....	ZB/CAN 0641	158	MICROPHONE & RECEIVERS HEADGEAR ASSEMBLIES, Cdn, Type 10.....	ZA/CAN 1570	134
INSULATING STAYS, Aerial Masts...		108	MICROPHONE & RECEIVERS:-CORDS....		150
INSTALLATION KITS. W S Cdn No. 19, Cars, Armoured Cdn, Fox I	ZA/CAN 1460	4	MOUNTING BRACKETS, Vehicle.....		108
INSTALLATION KITS. W S Cdn No. 19, Cars, Light, Recce. Cdn, Otter I	ZA/CAN 1465	6	OPERATOR LAMPS.....		158
INSTALLATION KITS. W S Cdn No. 19, Cars, Scout, Cdn, Lynx I & II	ZA/CAN 1461	8	OP or COMMAND TANK, Installation Kits.....		12
INSTALLATION KITS. W S Cdn No. 19, Carriers, Universal, Mk I	ZA/CAN 1466	10	OTTER I, Installation Kit.....		6
INSTALLATION KITS. W S Cdn No. 19, OP or Command Tank, Ram II	ZA/CAN 1462	12	PA CAPACITOR ASSEMBLY.....		40
INSTALLATION KITS. W S Cdn No. 19, Tanks, Grizzly I	ZA/CAN 1463	14	PILOT LIGHT HOLDERS.....		160
INSTALLATION KITS. W S Cdn No. 19, Tanks, Ram II	ZA/CAN 1464	16	PLATES, Chest, Microphones Hand..		152
INSTALLATION KITS. W S Cdn No. 19, Tanks, Valentine VII	ZA/CAN 1467	18	PLUGS, Single, No. 26.....		162
INSTALLATION KITS. W S Cdn No. 19, Truck and Ground	ZA/CAN 1468	20	PLUGS, 5-Point, No. 5.....	ZA/CAN/BR 1853	164
INSTALLATION KITS. W S Cdn No. 19, 25-Pdr., S.P. (Sexton)	ZA/CAN 1469	22	PLUGS, 6-Point, No. 4.....	ZA/CAN/BR 2815	166
JUNCTIONS, Distribution, No. 1...	ZA/CAN/BR 3100	92	PLUGS, 12-Point, No. 1.....	ZA/CAN/BR 2816	166
JUNCTIONS, Distribution, No. 3...	ZA/CAN/BR 10244	94	POWER AND A.P. AMPLIFIER, "A" SET.....		34
KEY AND PLUG ASSEMBLIES, No. 9...	ZA/CAN/BR 0937	154	POWER SUPPLY:-CASE.....		60
KEY AND PLUG ASSEMBLIES, Cdn, No. 9.....	ZA/CAN 0715	156	PROTECTORS, Front, Supply Units No. 2.....		60
KITS, Aerial.....		108	PROTECTORS, Front, Wireless Sets.		60
LAMPS, Operator, No. 6.....	ZA 11521	158	RAM TANK, Installation Kits.....		16
LAMP HOLDERS.....		160	REAR OF FRONT PANEL, Supply Units No. 2.....		70
LEADS, Connecting.....	See Connectors	-	RECEIVERS, Headset.....		146
LIGHT RECCE CARS, Installation Kits.....		6	RECEIVERS WATCH, "F".....	ZA 11335	148
LOCAL OSCILLATOR & FREQUENCY CHANGE SWITCH ASSEMBLY.....		56	RECEIVERS, WATCH, "LR".....	ZA/CAN 1405	148
LYNX, I & II, Installation Kit...		8	RECEIVER & HEADGEAR ASSEMBLIES, FLR.....	ZA/CAN 1637	146
MASTS, Steel, Telescopic, 20-Ft, Antennae Vertical.....	ZA/CAN 1035	106	RECEIVERS, Headgear, MC, Mk I....	ZA/CAN 1638	146
MASTS, Steel, Telescopic, 34-Ft, Antennae Vertical.....	ZA/CAN 1011	106	RECEIVERS, Headgear, MC, Mk I....	ZA/CAN 1407	146
MICROPHONES, Hand, No. 3.....	ZA/CAN/BR 5371	140	RECEIVER & MICROPHONE HEADGEAR ASSEMBLIES.....		132-134
MICROPHONES, Hand, No. C3.....	ZA/CAN 1759	142	REMOTE CONTROL UNITS.....		96
MICROPHONES, Hand, No. 7.....	ZA/CAN/BR 2902	144	ROTARY TRANSFORMER.....		76
MICROPHONES, Hand, Cdn, Type I.....	ZA/CAN 1158	136	SCOUT CARS, Cdn, Lynx, I & II, Installation Kit.....		8
MICROPHONES, Hand, Cdn, Type 2...	ZA/CAN 1555	138	SELF PROPELLED, 25 Pdr. (Sexton), Installation Kit.....		22
MICROPHONE & RECEIVERS HEADGEAR ASSEMBLIES, No. 1, Cdn.....	ZA/CAN/BR 21230		SET & STANDARD KITS. W S Cdn No. 19 Mk III	ZA/CAN 1000	2
MICROPHONE & RECEIVERS HEADGEAR ASSEMBLIES, No. 2, Cdn.....	ZA/CAN/BR 21231	132	SOCKETS, 5-Point, No. 5.....	ZA 2994	164
			SOCKETS, 6-Point, No. 5.....	ZA/CAN/BR 10266	168
			SOCKETS, 6-Point, No. 11.....	ZA/CAN/BR 10623	168
			SOCKETS, 12-Point, No. 1.....	ZA/CAN/BR 10295	170
			SOCKETS, 12-Point, No. 3.....	ZA/CAN/BR 10622	170
			SPARE PARTS CASE, (and contents).		78
			STAYS, Insulating, Aerial Masts, No. C1.....	ZA/CAN 1045	108

	Catalogue Number	Page No.		Catalogue Number	Page No.
SUPPLY UNITS. No. 2		66	WIRE, Aerial.....		112
SUPPLY UNITS NO. 2:-Bottom of Platform.....		74	WIRELESS REMOTE CONTROL UNITS. Cdn. No. 1	ZA/CAN 1332	96
SUPPLY UNITS NO. 2:-Case.....		60	WIRELESS REMOTE CONTROL UNITS, Cdn. No. 1:-Case Assembly.....		100
SUPPLY UNITS NO. 2:-Front Panel..		68	WIRELESS REMOTE CONTROL UNITS, Cdn. No. 1:-Bottom of Chassis...		100
SUPPLY UNITS NO. 2:-Grills Protecting.....		60	WIRELESS REMOTE CONTROL UNITS, Cdn. No. 1:-Front Panel.....		98
SUPPLY UNITS NO. 2:-Rear of Front Panel.....		70	WIRELESS REMOTE CONTROL UNITS, Cdn. No. 1:-Top of Platform....		102
SUPPLY UNITS NO. 2:-Rotary Transformer.....		76	WIRELESS SETS. Cdn. No. 19. Mk III-Top View		28
SUPPLY UNITS NO. 2:-Top of Platform.....		72	WIRELESS SETS. Cdn. No. 19. Mk III-Bottom View		30
SWITCHBOARDS, Charging, No. C5, Cdn.....	ZB/CAN/BR 0183	104	W/S, Cdn, No. 19:-AERIAL FEEDER ASSEMBLIES.....		114-116
TANKS, Grizzly I, Installation Kit.....		14	W/S, Cdn, No. 19, Mk III.....		2
TANKS, Ram II, Installation Kit..		16	W/S, Cdn, No. 19:-AERIAL VARIOMETER:-Case Assembly.....		24
TANKS, Valentine VII Installation Kit.....		18	W/S, Cdn, No. 19:-AERIAL VARIOMETER:-Coil Assembly.....		26
TELESCOPIC MASTS.....		106	W/S, Cdn, No. 19:-"A" Set AF & Power Amplifier.....		34
TRUCK AND GROUND INSTALLATION KIT		20	W/S, Cdn, No. 19:-"A" Set, RF Section.....		36
UNDERCHASSIS ILLUSTRATION, No. 1.		46	W/S, Cdn, No. 19:-"B" Set.....		38
UNDERCHASSIS ILLUSTRATION, No. 2.		48	W/S, Cdn, No. 19:-Carriers, Sets..		60 to 64
UNDERCHASSIS ILLUSTRATION, No. 3.		50	W/S, Cdn, No. 19:-Chassis and Valve Layout.....		58
UNDERCHASSIS ILLUSTRATION, No. 4.		52	W/S, Cdn, No. 19:-Covers, Waterproof.....		2
UNDERCHASSIS ILLUSTRATION, No. 5.		54	W/S, Cdn, No. 19:-Front Panel....		32
UNITS, Capacitor & Drive, No. C3.	ZA/CAN 0492	42	W/S, Cdn, No. 19:-Local Oscillator & Frequency Change Switch Assembly.....		56
UNITS, Control.....		80 to 90	W/S, Cdn, No. 19:-P.A. Capacitor Assembly.....		40
UNITS, Remote Control.....		96	W/S, Cdn, No. 19, Mk III - Set and Standard Kits.....		2
UNIVERSAL CARRIERS, Mk I, Installation Kit.....		10	W/S, Cdn, No. 19, Mk III - Supply Units No. 2.....		66
VALENTINE TANK, Installation Kit.		18			
VALVES.....		58			
VARIOMETER CASE ASSEMBLY.....		24			
VARIOMETER COIL ASSEMBLY.....		26			
VEHICLE MOUNTING BRACKETS.....		108			
WATERPROOF COVERS, W/S Cdn No. 19		2			

APPENDIX

LIST OF STANDARD ABBREVIATIONS

Across Flats.....	af	Intermediate Frequency.....	IF
Alternating Current.....	AC	Internal.....	int
American National Coarse.....	ANC	Joint Army Navy.....	JAN
American National Fine.....	ANF	Kilocycles.....	kc
American War Standard.....	AWS	Kilometer.....	km
Ampere.....	Amp	Kilovolt.....	kv
Assembly or Assemblies.....	Assy	Kilovolt-Ampere.....	kVA
Audio Frequency.....	AF	Kilowatt.....	kW
Beryllium-Copper.....	Beryl-Copper	Left Hand.....	LH
Binding Head.....	BH	Length or Long.....	lg
British Association.....	BA	Low Frequency.....	LF
British Standard Wire Gauge.....	BSW	Low Resistance.....	LR
Birmingham Wire Gauge.....	BWG	Manufacturer.....	mfr
Button Head.....	Bt H	Manufacturing.....	mfg
By or Times.....	x	Mark.....	mk
Cadmium.....	Cad	Master Oscillator.....	MO
Centimeter.....	cm	Master Oscillator Power Amplifier.....	MOPA
Cheese Head.....	Ch H	Maximum.....	max
Circuit.....	cct	Megacycle.....	mc
Continuous Wave.....	CW	Megohm.....	meg
Countersunk Head.....	Csk H	Metallized.....	Met
Crystal.....	xtal	Meter-s (dimension).....	m
Cubic Centimeter.....	cc	Microampere.....	uA
Cycle.....	cyc	Microfarad.....	uF
Canada.....	Can	Microhenry.....	uH
Canadian.....	Cdn	Micromicrofarad.....	uuF
Diameter.....	dia	Microvolt.....	uV
Direct Current.....	DC	Milliampere.....	mA
Double Pole Double Throw.....	DPDT	Millihenry.....	mH
Double Pole Single Throw.....	DPST	Millimeter.....	mm
External.....	ext	Millivolt.....	mV
Fahrenheit.....	F	Milliwatt.....	mW
Fillister Head.....	Fil H	Minimum.....	min
Foot or Feet.....	ft	Minus.....	-
Henry-ies.....	H	Modulated Continuous Wave.....	MCW
High or Height.....	hgt	Mounted.....	mtd
Hexagonal.....	hex	Mounting.....	mtg
High Frequency.....	HF	Moving Coil.....	MC
Horse Power.....	HP	Number (except when Serial Number or W/S Number).....	No or #
Inch or Inches.....	in	Oscillator.....	osc
Inside Diameter.....	ID	Outside Diameter.....	OD
Instrument Head.....	Inst H		

Oval Head.....	Oval H	Square.....	sq
Position.....	posn	Square Feet.....	sq ft
Package.....	pkg	Square Inch.....	sq in
Packed.....	pkd	Standard.....	std
Primary.....	pri	Stock.....	stk
Phosphor Bronze.....	Phos-Bronze	Superimposed Current.....	SC
Pair.....	pr	Switch.....	SW
Part of.....	p/o	Tapped.....	tpd
Percent.....	%	Temperature.....	temp
Phillips Head.....	Ph H	Thick, Thickness or Depth.....	th
Pitch Diameter.....	p dia	Thread or Threaded.....	thd
Permanent Magnet.....	PM	Threads per Inch.....	tpi
Plated.....	pl	Tuned Radio Frequency.....	TRF
Plus.....	+	Turns per Inch.....	tpi
Pulsating Current.....	PC	Ultra High Frequency.....	UHF
Push-Pull.....	PP	United States Standard.....	USS
Resistance.....	Resce	Used with.....	u/w
Radio Frequency.....	RF	Vertical.....	vert
Radio Telephony.....	RT	Very High Frequency.....	VHF
Radius.....	rad	Volt or Voltage.....	V
Receiver.....	Recvr	Volt-Ampere.....	VA
Revs per Minute.....	rpm	Volt-Ohm-Milliammeter.....	VOmA
Revs per second.....	rps	War Department.....	WD
Right Hand.....	RH	Watt.....	W
Root Mean Square.....	RMS	Weight.....	wt
Round Head.....	RH	Wireless Remote Control.....	W/R/C
Second.....	sec	Wireless Telegraphy.....	WT
Synchronous.....	Sync	Wide or Width.....	wd
Secondary.....	Secy	Wirewound.....	WW
Single Pole Double Throw.....	SPDT	With ().....	w/
Single Pole Single Throw.....	SPST	Without.....	w/o
Society Automotive Engineers.....	SAE	Wireless Sets.....	W/S
Special.....	spcl	Yard.....	yd