

Army Code No.
62042

SIGNAL GENERATOR SET TF2002B
Z4/6625-99-628-4711

ILLUSTRATED PARTS CATALOGUE

**FOR USE IN THE
ARMY**

By Command of the Defence Council



Ministry of Defence

Issued September, 1980

Prepared by Allan H. Webb & Co. Ltd.
on behalf of MOD(PE)ALS/PD

AMENDMENT RECORD SHEET

To record the incorporation of an Amendment List in this publication, sign against the appropriate A.L. No. and insert the date of incorporation.

A.L. No.	AMENDED BY	DATE
1	<i>JPM</i>	<i>10/8/82</i>
2		
3		
4		
5		
6		
7		
8		
9		
10		
11		
12		
13		
14		
15		
16		
17		
18		
19		
20		
21		
22		
23		
24		
25		
26		
27		
28		
29		
30		
31		
32		
33		

A.L. No.	AMENDED BY	DATE
34		
35		
36		
37		
38		
39		
40		
41		
42		
43		
44		
45		
46		
47		
48		
49		
50		
51		
52		
53		
54		
55		
56		
57		
58		
59		
60		
61		
62		
63		
64		
65		
66		

A.L No	AMENDED BY	DATE
67		
68		
69		
70		
71		
72		
73		
74		
75		
76		
77		
78		
79		
80		
81		
82		
83		
84		
85		
86		
87		
88		
89		
90		
91		
92		
93		
94		
95		
96		
97		
98		
99		
100		
101		
102		
103		

A L No	AMENDED BY	DATE
104		
105		
106		
107		
108		
109		
110		
111		
112		
113		
114		
115		
116		
117		
118		
119		
120		
121		
122		
123		
124		
125		
126		
127		
128		
129		
130		
131		
132		
133		
134		
135		
136		
137		
138		
139		
140		

PREFACE

Introduction

1 This Illustrated Parts Catalogue is designed as an aid to the identification of component parts or assemblies of parts of the equipment, and to provide the information necessary for the demanding of spares

2 This IPC may list some or all of the parts comprising the concerned equipment, but only those parts given a NATO Stock Number or Service Catalogue Number will normally be available as spares, see also paragraph 10

Note.-

It is current service policy to retain the use of domestic prefixes in addition to the NATO Stock Number, e.g. Z1/5915-99-901-6071

3. Items are listed in a logical assembly/dis-assembly order and are 'indented' to indicate the relationship of the items. This indentation is hypothetical, all entries being aligned vertically, and the extent of 'indentation' being indicated by letters in alphabetical order starting at A -

A MAIN ASSEMBLY

Z Attaching parts for main assembly

B FIRST LEVEL OF BREAKDOWN (Sub-assembly or detail part of main-assembly)

Z Attaching parts for first level

C SECOND LEVEL OF BREAKDOWN (Sub-Sub assembly or detail part of Sub-assembly)

Z Attaching parts for second level

D THIRD LEVEL OF BREAKDOWN (Sub-Sub-Sub-assembly or detail part of Sub-Sub-assembly)

Z Attaching parts for third level

Circuit references

4 When circuit diagrams are not included in the catalogue, the circuit references listed relate to the circuit diagrams in the servicing/maintenance publication

Quantities

5 The figure in the "Number Off" column specifies the quantity required for the unit (or assembly, sub-assembly etc.) concerned, it does not indicate the quantity to be demanded

Modification state

6 When appropriate the modification state of the information in the catalogue is indicated by a list, at the end of each chapter, of the numbers of those equipment modifications the effects of which have been incorporated therein

Amendments

7 Amendments/changes to the catalogue will be published from time-to-time, they will be numbered consecutively and the 'Amendment Record' is to be completed for each 'Amendment List' embodied, see also paragraph 10

Annotations

8	AR	As Required
	RF	- Listed for reference purpose only
	+	Not illustrated

Abbreviations

9.	A	Ampere	k ohms	Kilohm
	ac	Alternating Current	LES	Lilliput Edison Screw
	A/F	Across flats	lg	Length (long)
	approx	Approximate(ly)	Ltd	Limited (company or corporation name)
	BA	British Association Screw Thread	mA	Milliampere
	bhp	Brake Horse-Power	max	Maximum
	br	Brass	MCC	Miniature Centre Contact
	BS	British Standard	MES	Miniature Edison Screw
	BSF	British Standard Fine Thread	mH	Millihenry
	BSI	British Standards Institution	min	Minimum
	BSW	British Standard Whitworth Thread	mm	Millimetre
	C	Celsius (Centigrade)	M ohm	Megohm
	ccw	Counterclockwise	mtg	Mounting
	cm	centimetre	NATO	North Atlantic Treaty Organisation
	CO	Company (name of firm)	no.	Number
	contd	Continued	nom	Nominal
	Corp	Corporation (name of firm)	o/a	Over-all
	crs	Corrosion Resistant Steel	o/a dim.	Over-all Dimension
	csk hd	Countersunk Head	od	Outside Diameter
	c to c	Centre to Centre	pF	Picofarad
	cw	Clockwise	PTFE	Polytetrafluoroethylene
	c/w	Complete with	PVC	PolyvinylChloride
	dB	Decibel	RAF	Royal Air Force
	dc	Direct Current	rd hd	Round Head
	deg	Degree	sect.	Section
	dia	Diameter	spdt	Single Pole, Double Throw
	dim	Dimension (al) (ing)	spst	Single Pole, Single Throw
	DL	Defence List	srbf	Synthetic-resin-bonded Fabric (insulation)
	dpdt	Double-Pole, Double-Throw	srpb	Synthetic-resin-bonded Paper (insulation)
	dpst	Double-Pole, Single-Throw	SWG	Standard Wire Gauge
	dwg	Drawing	thd	Thread(ed)
	ext	External	thk	Thick (ness)
	F	Fahrenheit	tpi	Threads Per Inch
	f	Frequency	tub.	Tubular
	fig	Figure	uA	Microampere
	FSD	Full Scale Deflection	uF	Microfarad
	ft	Foot	uH	Microhenry
	GPO	General Post Office	UNC	Unified Coarse Thread
	h	Height	UNF	Unified Fine Thread
	h	Henry	u/w	Used With
	hd	Head	V	Volt
	hex	Hexagon(al)	W	Watt
	hex hd	Hexagon Head	w	Width
	hp	Horse Power	w/	with
	Hz	Hertz	Whit	Whitworth
	id	Inside Diameter	w/o	Without
	in	inch		
	int	Internal		

Other Information

10. (1) Demands

Demands are to be submitted in accordance with current instructions quoting the following details.-

- a. Management Code
- b. Nato Stock Number/Catalogue Number
- c. Item Description
- d. Name of Equipment for which the part is required

(2) Amendments

Amendments are notified in DCIs, and Units concerned will indent through their local Stationery Section or overseas equivalent for copies as required

It is essential that this IPC be kept fully amended

(3) Publication Information

Any communication regarding this IPC should be made to the controlling authority at the following address:-

The Director,
Army Cataloguing Authority,
Building 37,
Royal Arsenal West,
Woolwich, London, SE18 6SR.

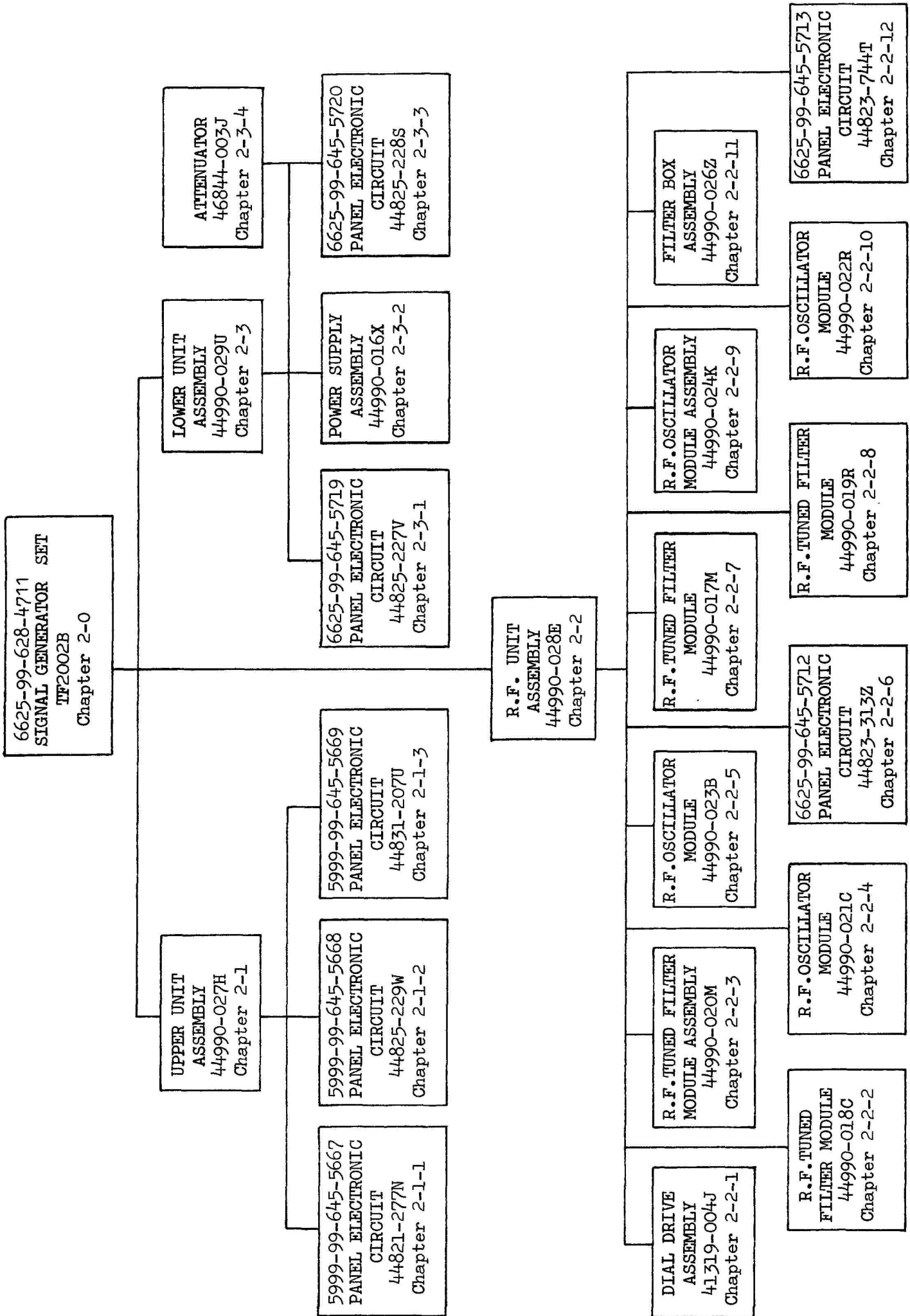
CONTENTS

Chapter 1	–	Index of assemblies and sub-assemblies
Chapter 2	–	Parts List
Chapter 3	–	Index of NATO Stock Numbers or Catalogue Numbers to Management Code, Maker's Part Numbers/Drawing Numbers, Maintenance Code/Class of Store, Chapter and Figure-Item Numbers
Chapter 4	–	Index of Maker's Part Numbers to Chapter and Figure-Item Numbers

Chapter 1

INDEX OF ASSEMBLIES AND SUB-ASSEMBLIES

NOTE: Unless otherwise stated all drawing numbers quoted in this publication refer to Marconi Instruments Ltd.



Chapter 1

INDEX OF ASSEMBLIES AND SUB-ASSEMBLIES

SIGNAL GENERATOR SET TF2002B 6625-99-628-4711

Item	Man. Code RN A RAF	NATO Stock No. Catalogue No.	Item Name	Maker's Part No./ Drawing No.	Location in Chap. 2 or Separate Sched. No.
1		- - -	ATTENUATOR	46844-003J	2-3-4
2		- - -	DIAL DRIVE ASSEMBLY	41319-004J	2-2-1
3		- - -	FILTER BOX ASSEMBLY	44990-026Z	2-2-11
4		- - -	LOWER UNIT ASSEMBLY	44990-029U	2-3
5	Z42	5999-99-645-5667	PANEL ELECTRONIC CIRCUIT	44821-277N	2-1-1
6	Z42	5999-99-645-5668	PANEL ELECTRONIC CIRCUIT	44825-229W	2-1-2
7	Z42	5999-99-645-5669	PANEL ELECTRONIC CIRCUIT	44831-207U	2-1-3
8	Z4	6625-99-645-5712	PANEL ELECTRONIC CIRCUIT	44823-313Z	2-2-6
9	Z4	6625-99-645-5713	PANEL ELECTRONIC CIRCUIT	44823-744T	2-2-12
10	Z4	6625-99-645-5719	PANEL ELECTRONIC CIRCUIT	44825-227V	2-3-1
11	Z4	6625-99-645-5720	PANEL ELECTRONIC CIRCUIT	44825-228S	2-3-3
12		- - -	POWER SUPPLY ASSEMBLY	44990-016X	2-3-2
13		- - -	R.F.OSCILLATOR MODULE	44990-021C	2-2-4
14		- - -	R.F.OSCILLATOR MODULE	44990-023B	2-2-5
15		- - -	R.F.OSCILLATOR MODULE	44990-022R	2-2-10
16		- - -	R.F.OSCILLATOR MODULE ASSEMBLY	44990-024K	2-2-9
17		- - -	R.F.TUNED FILTER MODULE	44990-018C	2-2-2
18		- - -	R.F.TUNED FILTER MODULE	44990-017M	2-2-7
19		- - -	R.F.TUNED FILTER MODULE	44990-019R	2-2-8
20		- - -	R.F.TUNED FILTER MODULE ASSEMBLY	44990-020M	2-2-3

SIGNAL GENERATOR SET TF200.B 6625-99-628-4711

Item	Man. Code RN A RAF	NATO Stock No. Catalogue No.	Item Name	Maker's Part No./ Drawing No.	Location in Chap. 2 or Separate Sched. No.
21		- - -	R.F.UNIT ASSEMBLY	44990-028E	2-2
22		6625-99-628-4711	SIGNAL GENERATOR SET	TF2002B	2-0
23		- - -	UPPER UNIT ASSEMBLY	44990-027E	2-1

Chapter 2-0

PARTS LIST

6625-99-628-4711
SIGNAL GENERATOR SET
TF2002B

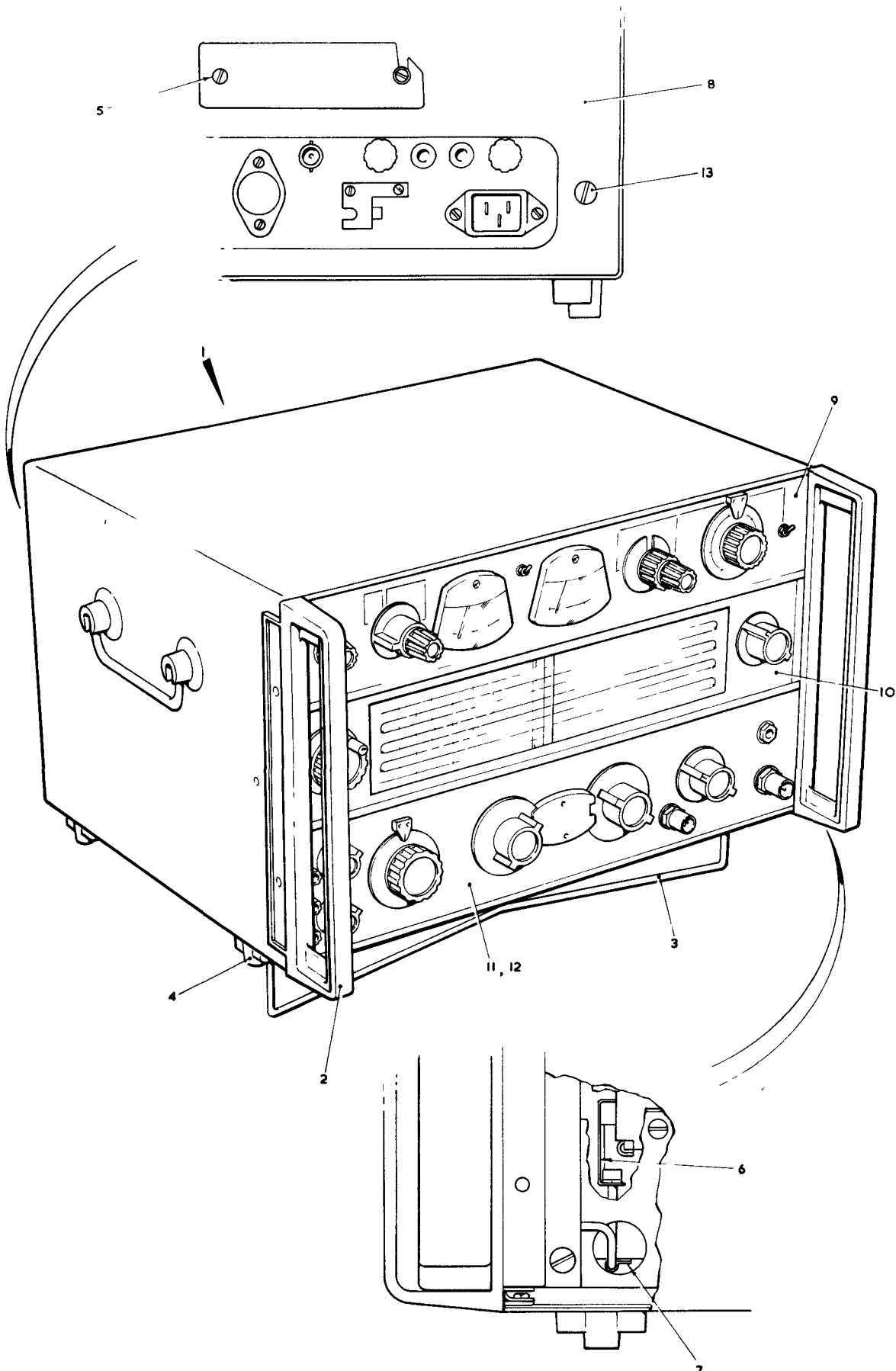


FIG. 1. SIGNAL GENERATOR

Chapter 2-0

PARTS LIST

SIGNAL GENERATOR SET TF2002B 6625-99-628-4711

Fig. Item	Cct Ref.	NATO Stock No./ Catalogue No.	Indent	Item Name and Description	Maker's Part No./ Drawing No.	No. off
1-1		6625-99-628-4711	A	SIGNAL GENERATOR SET	TF2002B	1RF
2		6625-99-628-2649	B	HANDLE	D35852-119T	2
3		6625-99-645-5726	B	LIFTING, FOOT steel; 16in.lg, 2-1/2in.w, 3/16in.thk	35116-110P	1
4		6625-99-628-2650	B	FOOT plastic, grey; 1-1/2in.lg, 1 in.w, 3/4in.thk approx o/a dim.	TD46542 (37574-109Y)	4
5		5305-99-645-8757	B	SCREW, SHOULDER BA; steel; flat fillister hd; slot drive; passivated and cadmium plated; no.4 by 5.50mm scr lg; 5.46mm dia by 2.03mm lg shoulder; 7.35mm lg o/a	33900-009C	1
6		5340-99-645-7872	B	CLIP, SPRING TENSION beryllium copper; w/o loop; w/o fixing holes	35900-158Z	2
7		5340-99-943-6899	B	CLAMP LOOP plastic, 1/8in.id loop, 1/4in.w, 9/16in.dia fixing hole	SSM(L)7- 4/2 (25234-641)	1
8			B	BACK ASSEMBLY	41690-003T	1
9		- - -	B	upper unit assembly For spares details refer to Chapter 2-1	44990-027H	1RF
10		- - -	B	r.f.unit assembly For spares details refer to Chapter 2-2	44990-028E	1RF
11		- - -	B	lower unit assembly For spares details refer to Chapter 2-3	44990-029U	1RF

SIGNAL GENERATOR SET TF2002B 6625-99-628-4711

Fig-Item	Cct Ref	NATO Stock No./ Catalogue No.	Indent	Item Name and Description	Maker's Part No./ Drawing No.	No. off
1-12		5305-99-624-0226	B	SCREW MACHINE BA; steel; torque drive; chrome plated; no.4 (0.142in.) -38.5 by 7/16 in.lg; normal class thd	TA19048/1 (33563-110A)	1
13		5305-99-193-0863	B	SCREW MACHINE BA; steel; grooved fillister hd; slot drive, chromium plated; no.2 by 7/8in.lg, normal class thd	TA19048/2 (33563-112Z)	4

Chapter 2-1

PARTS LIST

UPPER UNIT ASSEMBLY
44990-027H

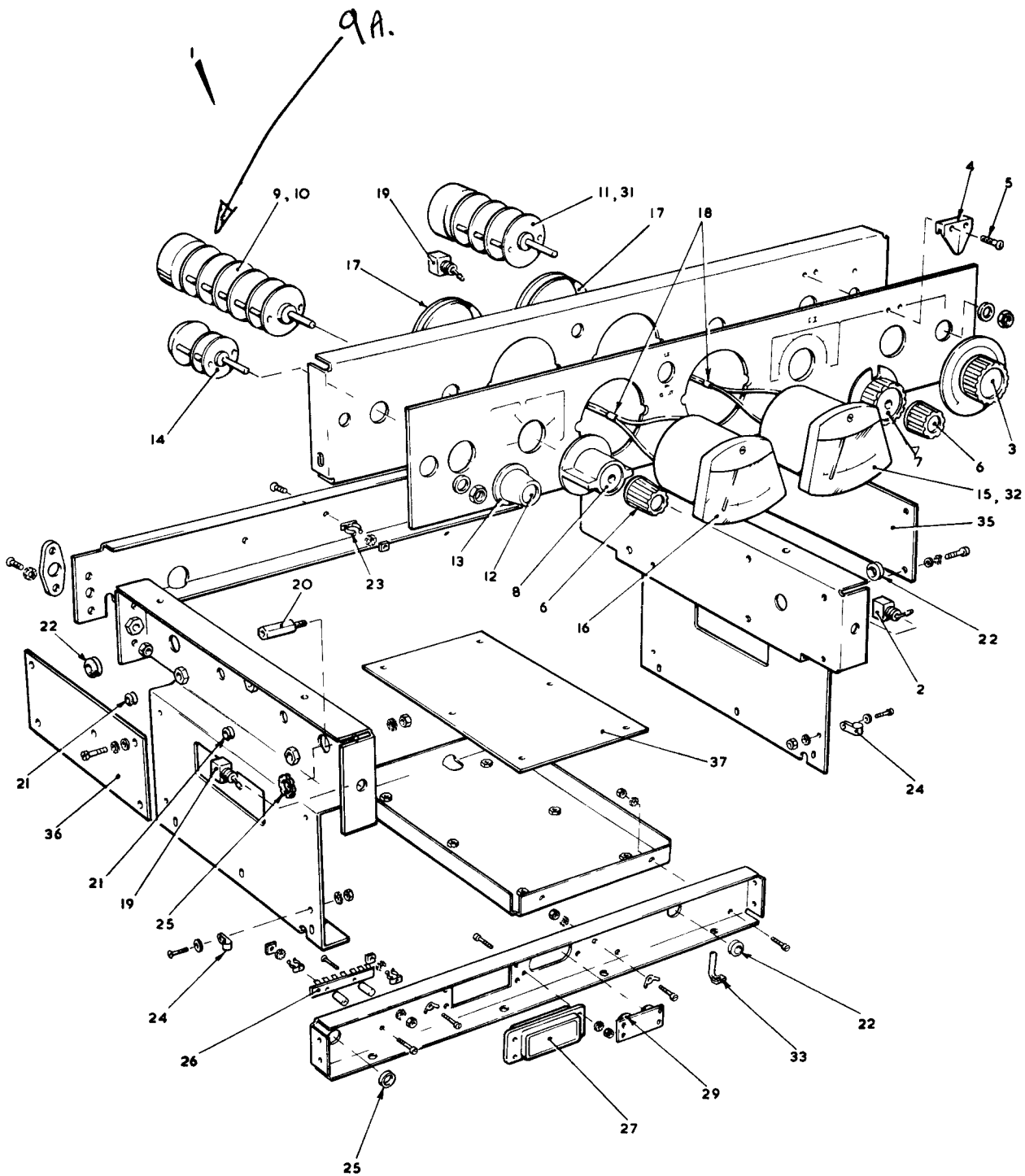


FIG I UPPER UNIT ASSEMBLY

Chapter 2-1

PARTS LIST

UPPER UNIT ASSEMBLY 44990-027H

Fig. Item	Cct Ref.	NATO Stock No./ Catalogue No.	Indent	Item Name and Description	Maker's Part No./ Drawing No.	No. off
1-1		- - -	A	UPPER UNIT ASSEMBLY	44990-027H	1RF
2		5930-99-630-1590	B	SWITCH, TOGGLE spdt; on/on, 2A max, 115V ac, 5A max; 28V dc	PT23462- 252	1
3		5970-99-636-4238	B	KNOB plastic; grub screw type; rd; 5/16in. bore; lin.od, 9/16in.thk, w/o skirt	41141-308	1
4		6625-99-956-1312	B	CURSOR, CONTROL DIAL plastic; 3/4in.lg, 5/8in. w; 1/4in. thk	TB40890 (31185-722M)	1
5		5305-99-645-7839	Z	SCREW, MACHINE BA; steel; pan no.2 hd; cross recess type 1A drive; chromium plated; no.6 by 3/8in.lg; scr 3/8in. normal class thd	M21347-401 PT21347- 430E	2
6		5355-99-956-1270	B	KNOB polypropylene; setscrew type; crown; 1/8in.bore od, 7/16in.thk; w/o skirt	TM6891/11 (41141-503B)	2
7		5355-99-956-1311	B	DIAL, CONTROL knob type, 1-1/2in.dia, 1-9/64in.lg, engraved "80 max for 10W distortion 30% lowest carrier range"	TM6895/9	1
8		5355-99-956-1269	B	KNOB polypropylene; setscrew type; bar w/single pointer; 1/4in.bore; 1-1/2in.od, 3/4in.thk; w/skirt	TM6896/5 (41145-220F)	1
9	C2 C3	5910-99-626-1092	B	CAPACITOR, FIXED, ELECTROLYTIC aluminium electrode; plain foil; metal case; insulated 4.7uF + 100 -20%; 63V dc working	580PT 26415-801 (26415-801M)	2
	R25 ALB	Z30 5905-99-645- 9269		Resistor Variable 16K+16K		

9A SWB
2R27 Z32 5930-99-630-1590
Issued September 1980

SWITCH ASSY + RES VAR [R27] 44340-016

UPPER UNIT ASSEMBLY 44990-027H

Fig-Item	Cct Ref	NATO Stock No./ Catalogue No.	Indent	Item Name and Description	Maker's Part No./ Drawing No.	No. off
1-10	R4	5905-99-626-1099	B	RESISTOR, FIXED, FILM insulated; 100k ohms, \pm 2%; 1/2W	M24500-018PT 24573-121	1
11		6625-99-221-6687	B	SWITCH 12 POSITION 22 contact, 12 position switch; 2.5k ohms resistor	TC37860/22	1
12		5355-99-955-7855	B	KNOB plastic; setscrew type; crown; 1/4in. bore, two 4BA screws; 11/16in. dia, 9/16in. thk; w/skirt	TM7059/8	1
13		6625-99-955-7715	B	INDICATOR RING plastic film; 31/32in. od, 23/32in. id; yellow/orange	TB38378	1
14		5930-99-955-7642	B	SWITCH, ROTARY, WAFER 4 pole; 2 position; shorting; 2 wafers, srbp	TC37710/6	1
15	ME2	^{Z4} 6625-99-636-4237	B	METER SCALE aluminium alloy, 0.100in. thk, all markings black; inscribed "MODULATION"	044579-00313	1
16	ME2	^{Z4} 6625-99-636-4236	B	METER SCALE aluminium alloy, 0.100in. thk; black scale markings along two red lines; inscribed "SET CARRIER LEVEL"	044572-228S	1
17		5340-99-645-7843	B	CLAMP, LOOP brass; 2in. dia grip; 0.116in. dia fixing holes	M22322-010 PT22322-010S	2
18		5950-99-645-7842	B	CORE, FERROMAGNETIC permeability 3000 initial, 6.74mm id, 13.28mm od, 6.87mm h	M23635-406NSA PT23635-448D	2
19		5930-99-625-7131	B	SWITCH TOGGLE dpdt on/on momentary, 5A max; 115V ac, 5A max, 28V dc	M23462-252PT 23462-258	2

UPPER UNIT ASSEMBLY 44990-027H

Fig.- Item	Cct Ref	NATO Stock No./ Catalogue No.	Indent	Item Name and Description	Maker's Part No./ Drawing No.	No. off
1-20		5340-99-645-7838	B	POST, ELECTRICAL-MECHANICAL EQUIPMENT steel; cadmium plated; hex sect; 13/16in.post lg; thd tapped No.OBA by 3/8in.lg 1st end; thd No.OBA ext by 7/16in.lg 2nd end	33527-425C	2
21		5325-99-645-9267	B	GROMMET, PLASTIC PVC; 5/16in.dia hole; 3/8 in.od groove; 1/16in.dia; 1/8in.thk flanges	M23187- 112PT 23187-181J	2
22		5325-99-468-9952	B	GROMMET type 31	23187/232M	3
23		5340-99-645-5670	B	CLIP, SPRING TENSION copper alloy; 1/8in.dia loop; single hole fixing; nickle plated	35555-105W	2
24		5340-99-640-5606	B	CLAMP, LOOP plastic; 3/16in.loop id, 1/4in. w grip; 1/4in.dia fixing hole	Insuloid NX1 (23243- 652G)	4
25		5325-14-266-8846	B	GROMMET, PLASTIC polythene; flexiform strip; 4.50mm by 40mm w; 2.30mm by 2.50mm slot; 25mm lg	G51HB (18280- 110W)	5ft
26		5940-99-645-9266	B	TERMINAL BOARD plastic; 7 terminals; 1-3/4in.lg, 3/8in.w, 1/4in. thk	M23234-692 PT43217- 010E	1
27		5935-99-221-6667	B	SOCKET, ELECTRICAL fixed; synthetic polyamide (nylon); flange mtg; 18 poles; 3A, 1000V dc	McMurdo XS18 (23435- 293V)	1
28	R20	5905-99-636-0223	B	RESISTOR, FIXED FILM insulated; 220 ohms, \pm 2%; 1/2W	M24500- 018PT 24573-057E	1
29	R28	5905-99-900-1586	B	RESISTOR, VARIABLE composition; 4.7 ohms, \pm 20%; 1/4W; linear	Plessey MP dealer (25611- 176P)	1

UPPER UNIT ASSEMBLY 44990-027H

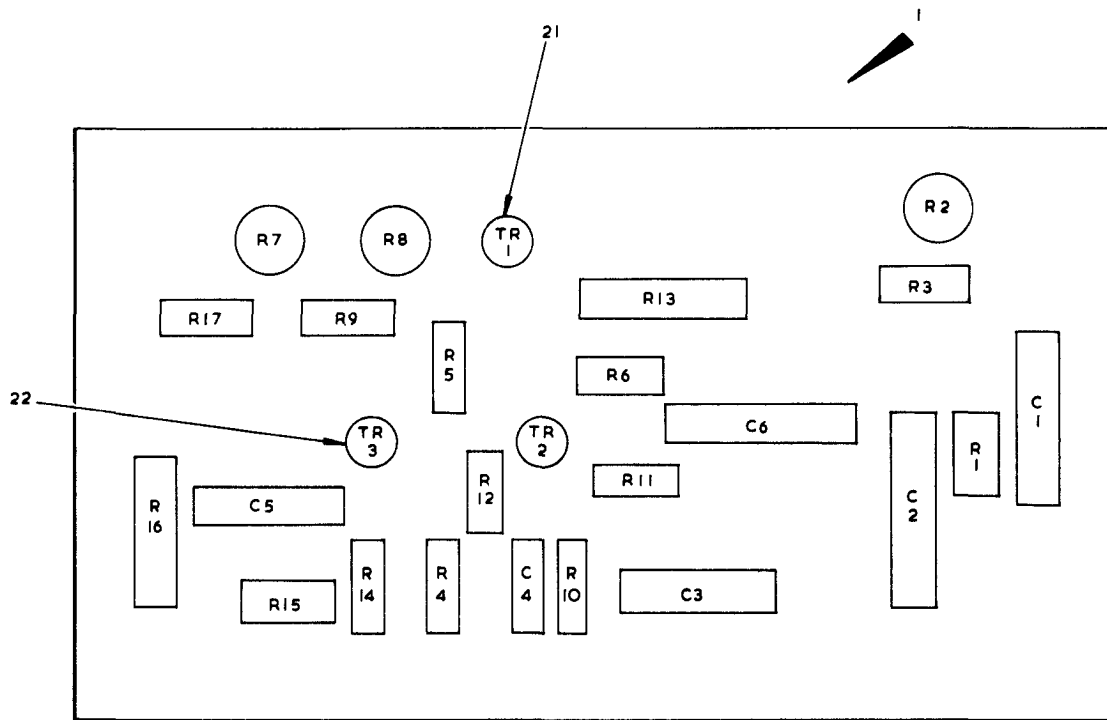
Fig-Item	Cct Ref	NATO Stock No./ Catalogue No.	Indent	Item Name and Description	Maker's Part No./ Drawing No.	No. off
1-30	R5 R19	5905-99-636-4161	B	RESISTOR, FIXED, FILM 5k ohms; \pm 5%; 1/2W, hermetically sealed	Holsworthy Electronics H4 (24753- 878D)	2
31	R21	5905-99-624-6408	B	RESISTOR, FIXED, FILM insulated; 10k ohms, \pm 20%; 1W	M24500- 018PT 24573-097	1
32	R2	5905-99-113-6647	B	RESISTOR, FIXED, FILM insulated; 82k ohms, \pm 2%; 1/2W	Welwyn type MR5 (24573- 119B)	1
33		5340-99-933-3088	B	STRAP, LINE SUPPORTING nylon (zytel) strap with nylon and stainless steel clinching clip; 3.62in.lg x 0.04lin.thk x 0.09lin.w clear o/a dim; made name TY-RAP	Ross Courtney TY23M (23243- 705K)	6
* 34	D1	5961-99-118-3466	B	SEMICONDUCTOR DEVICE, DIODE	M28336-676	1
35		5999-99-645-5667	B	PANEL, ELECTRONIC CIRCUIT board; 2-3/16in. by 6in. (approx dim.); 36 compo- nents For spares details see Chapter 2-1-1	44821-277N	1
36		5999-99-645-5668	B	PANEL, ELECTRONIC CIRCUIT board; 165mm by 58mm (approx dim.); 46 compo- nents For spares details see Chapter 2-1-2	44825-229W	1
37		5999-99-645-5669	B	PANEL, ELECTRONIC CIRCUIT board; 10222 by 180mm (approx dim.), c/w 12 capacitors For spares details see Chapter 2-1-3	44831-207U	1

* not illustrated

Chapter 2-1-1

PARTS LIST

5999-99-645-5667
PANEL ELECTRONIC CIRCUIT
44821-277N



CIRCUIT REF	ITEM No.	CIRCUIT REF	ITEM No.
C1	16	R8	6
C2	16	R9	7
C3	17	R10	9
C4	15	R11	4
C5	16	R12	2
C6	17	R13	10
R1	9	R14	5
R2	14	R15	3
R3	12	R16	13
R4	11	R17	7
R5	4	TR1	20
R6	8	TR2	18
R7	6	TR3	19

FIG. I. PANEL, ELECTRONIC CIRCUIT.

Chapter 2-1-1

PARTS LIST

5999-99-645-5667 PANEL, ELECTRONIC CIRCUIT

Fig. Item	Cct Ref.	NATO Stock No./ Catalogue No.	Indent	Item Name and Description	Maker's Part No./ Drawing No.	No. off
1-1		²⁴² 5999-99-645-5667	A	PANEL, ELECTRONIC CIRCUIT board; 2-3/16in. by 6in. (approx dim.), 36 components	44821-277N	1RF
2	R12	5905-99-628-4592	B	RESISTOR, FIXED, FILM insulated; 33 ohms, $\pm 2\%$; 1/4W	M24500-018PT 24573-037S	1
3	R15	5905-99-628-4614	B	RESISTOR, FIXED, FILM insulated; 47 ohms; $\pm 2\%$; 1/2W	M24500-018PT 24573-041W	1
4	R5 R11	5905-99-636-0223	B	RESISTOR, FIXED, FILM insulated; 220 ohms, $\pm 2\%$; 1/2W	M24500-018PT 24573-057E	2
5	R14	5905-99-628-4602	B	RESISTOR, FIXED, FILM insulated; 680 ohms; $\pm 2\%$; 1/2W	M24500-018PT 24573-069	1
6	R7 R8	5905-99-628-1566	B	RESISTOR, VARIABLE composition; 2.2k ohms, $\pm 20\%$; 1/4W linear	M25611-062PT 25611-074	2
7	R9 R17	5905-99-628-6995	B	RESISTOR, FIXED, FILM insulated; 5.1k ohms, $\pm 2\%$; 1/2W	M24500-018PT 24573-090Z	2
8	R6	5905-99-631-9805	B	RESISTOR, FIXED, FILM insulated; 5.6k ohms, $\pm 2\%$; 1/4W	M24500-018PT 24573-091H	1
9	R1 R10	5905-99-624-6408	B	RESISTOR, FIXED, FILM insulated; 10k ohms; $\pm 2\%$; 1/2W	M24500-018PT 24573-097	2
10	R13	5905-99-636-4235	B	RESISTOR, THERMAL 10k ohms at 20 deg C; 0.770V max	I.T.T. AA14 (25683-389E)	1
11	R4	5905-99-636-2647	B	RESISTOR, FIXED, FILM 22k ohms; $\pm 2\%$; 1/2W	M24500-018PT 24573-105C	1
12	R3	5905-99-631-9808	B	RESISTOR, FIXED, FILM insulated; 47k ohms, $\pm 2\%$; 1/2W	M24500-018PT 24573-113T	1

5999-99-645-5667 PANEL, ELECTRONIC CIRCUIT

Fig.- Item	Cct Ref	NATO Stock No./ Catalogue No.	Indent	Item Name and Description	Maker's Part No./ Drawing No.	No. off
1-13	R16	5905-99-626-1099	B	RESISTOR, FIXED, FILM insulated; 100k ohms, $\pm 2\%$; 1/2W	M24500- 018PT 24573-121	1
14	R2	5905-99-628-1525	B	RESISTOR, VARIABLE composition; 100k ohms, $\pm 20\%$; 1/4W linear	M25611- 062PT 25611-084	1
15	C4	5910-99-628-4199	B	CAPACITOR, FIXED, PLASTIC DIELECTRIC foil; plastic case; 0.001uF, $\pm 2\%$; 125V dc working	M26516- 003PT 26516-481L	1
16	C1 C2 C5	5910-99-633-9071	B	CAPACITOR, FIXED, ELECTROLYTIC aluminium electrode; processed foil; metal case; insulated; 47uF; +100 -20%; 40V dc working	M26410- 580PT 26415-810Z	3
17	C3 C6	5910-99-626-1292	B	CAPACITOR, FIXED, ELECTROLYTIC aluminium electrode; processed foil; tub. metal case; insulated; 470uF, +100 -20%; 25V dc wkg	M16410- 580PT 26415-822G	2
18	TR2	5961-99-118-4737	B	TRANSISTOR	M28435- 235PT 28435-235	1
19	TR3	5961-99-118-4687	B	TRANSISTOR	M28452- 787PT 28452-787N	1
20	TR1	5961-99-118-6038	B	TRANSISTOR	M28459- 011PT 28459-011S	1
21		5999-99-645-7841	B	MOUNTING PAD, ELECTRICAL- ELECTRONIC COMPONENT nylon; 0.280in. dia, 0.150in. lg	M28488- 108E PT 28488-108E	1
22		5961-99-631-0526	B	MOUNTING PAD, ELECTRICAL- ELECTRONIC COMPONENT nylon, 0.300in. od, 0.180in. thk	28488-115L	2

Chapter 2-1-2

PARTS LIST

5999-99-645-5668
PANEL, ELECTRONIC CIRCUIT
44825-229W

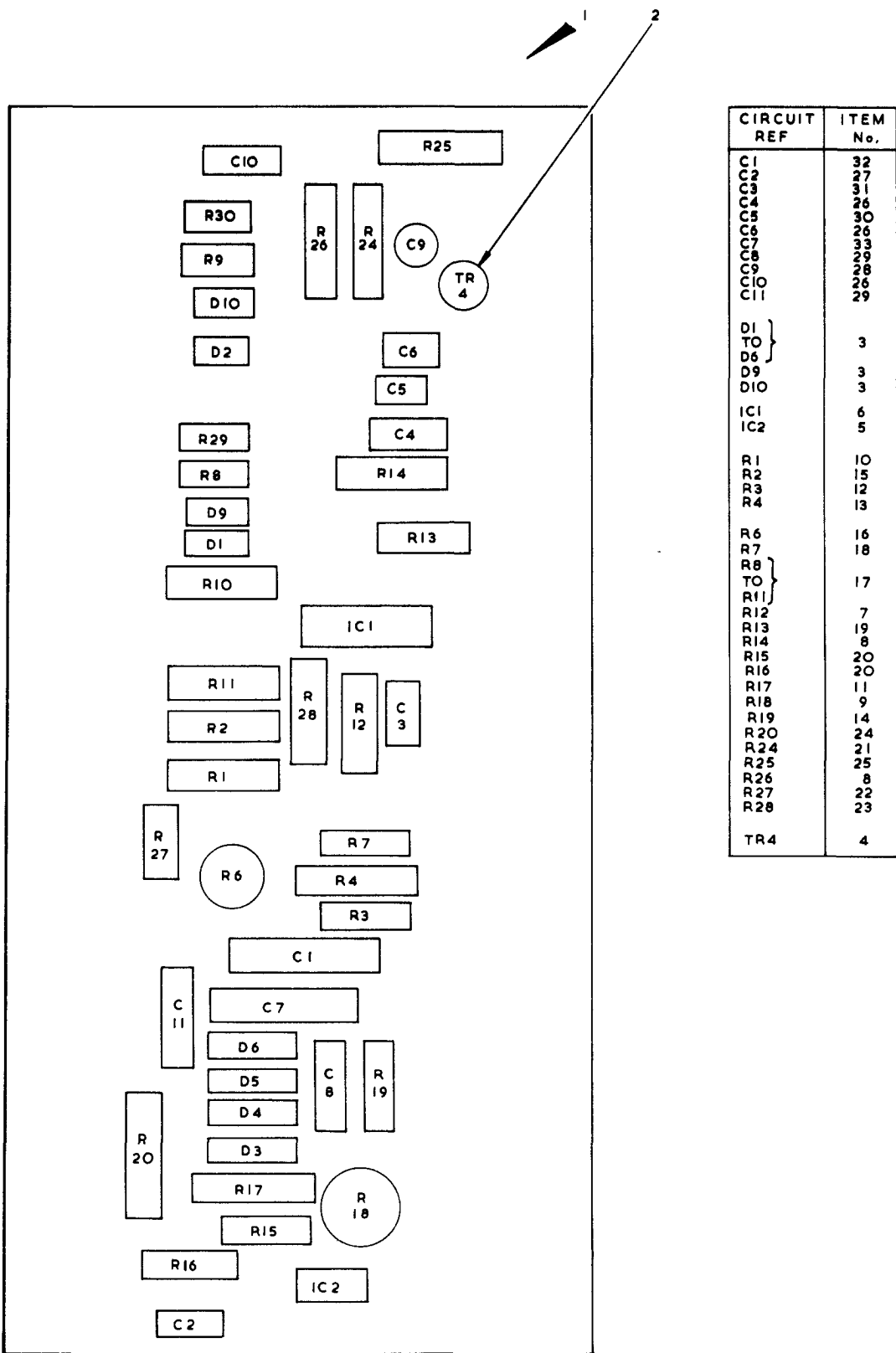


FIG. I. PANEL, ELECTRONIC CIRCUIT.

Chapter 2-1-2

PARTS LIST

5999-99-645-5668 PANEL, ELECTRONIC CIRCUIT

Fig. Item	Cct Ref.	NATO Stock No./ Catalogue No.	Indent	Item Name and Description	Maker's Part No./ Drawing No.	No. off
1-1		5999-99-645-5668	A	PANEL, ELECTRONIC CIRCUIT board; 165mm by 58mm (approx dim.), 46 components	44825-229W	1
2		5961-99-631-0526	B	MOUNTING PAD, ELECTRICAL-ELECTRONIC COMPONENT nylon, 0.300in.od, 0.180in.thk	28488-115L	1
3	D1 to D6 D9 D10	5961-99-118-3466	B	SEMICONDUCTOR DEVICE, DIODE	M28336-676	8
4	TR4	5961-99-118-5363	B	TRANSISTOR	M28452-777	1
5	IC2	5962-99-116-3800	B	INTEGRATED CIRCUIT OPERATIONAL AMPLIFIER	Fairchild UA791C (28461-304T)	1
6	IC1	5962-99-118-6042	B	INTEGRATED CIRCUIT OPERATIONAL AMPLIFIER	M28461-312PT 28461-312R	1
7	R12	5905-99-628-7211	B	RESISTOR, FIXED, FILM insulated; 10 ohms, $\pm 2\%$; 1/2W	M24500-018PT 24573-025	1
8	R14 R26	5905-99-630-0964	B	RESISTOR, FIXED, FILM insulated; 150 ohms, $\pm 2\%$; 1/2W at 70 deg C	M24500-018 24573-053K	2
9	R18	5905-99-628-5029	B	RESISTOR, VARIABLE composition; 470 ohms, $\pm 20\%$; 1/4W linear	M25611-062PT 25611-070	1
10	R1	5905-99-628-4602	B	RESISTOR, FIXED, FILM insulated; 680 ohms, $\pm 2\%$; 1/2W	M24500-018PT 24573-069	1
11	R17	5905-99-630-0966	B	RESISTOR, FIXED, FILM insulated; 1k ohm, $\pm 2\%$; 1/2W at 70 deg C	M24500-018 24573-073W	1

5999-99-645-5668 PANEL, ELECTRONIC CIRCUIT

Fig. Item	Cct Ref	NATO Stock No./ Catalogue No.	Indent	Item Name and Description	Maker's Part No./ Drawing No.	No. off
1-12	R3	5905-99-628-7212	B	RESISTOR, FIXED, FILM insulated; 2k ohms, \pm 2%; 1/2W	M24500-018PT 24573-080X	1
13	R4	5905-99-628-4601	B	RESISTOR, FIXED, FILM insulated; 2.2 ohms, \pm 2%; 1/2W	M24500-018PT 24573-081	1
14	R19	5905-99-628-4638	B	RESISTOR, FIXED, FILM insulated; 3.3 ohms, \pm 2%; 1/2W	M24500-018PT 24573-085	1
15	R2	5905-99-628-4598	B	RESISTOR, FIXED, FILM insulated; 2.7 ohms, \pm 2%; 1/2W	M24500-018PT 24573-083	1
16	R6	5905-99-628-5014	B	RESISTOR, VARIABLE wire wound; 4.7 ohms, \pm 10% 1W linear	M25811-010PT 25811-023	1
17	R8 to R11	5905-99-636-4161	B	RESISTOR, FIXED, FILM 5k ohms; \pm 5%; 1/2W, hermetically sealed	Holsworthy Electronics H4 (24753-878D)	4
18	R7	5905-99-624-6402	B	RESISTOR, FIXED, FILM insulated; 8.2k ohms, \pm 2%; 1/2W	M24500-018PT 24573-095	1
19	R13	5905-99-645-6939	B	RESISTOR, FIXED, FILM 13k ohms, \pm 2%; 1/2W; encapsulated	M24500-018PT 24573-100Y	1
20	R15 R16	5905-99-924-7427	B	RESISTOR, FIXED, FILM insulated; 16k ohms, \pm 2%; 1/2W	Electrosil TR5 (24573-102L)	2
21	R24	5905-99-636-2647	B	RESISTOR, FIXED, FILM 22k ohms, \pm 2%; 1/2W	M24500-018PT 24573-105C	1
22	R27	5905-99-631-0522	B	RESISTOR, FIXED, FILM insulated; 24k ohms, \pm 2%; 1/2W	M24500-018PT PT24573-106V	1

5999-99-645-5668 PANEL, ELECTRONIC CIRCUIT

Fig. Item	Cct Ref	NATO Stock No./ Catalogue No.	Indent	Item Name and Description	Maker's Part No./ Drawing No.	No. off
1-23	R28	5905-99-628-4595	B	RESISTOR, FIXED, FILM insulated; 27k ohms, $\pm 2\%$; 1/2W	M24500-018PT 24573-107	1
24	R20	5905-99-631-9808	B	RESISTOR, FIXED, FILM insulated; 47k ohms, $\pm 2\%$; 1/2W	M24500-018PT 24573-113T	1
25	R25	5905-99-636-2645	B	RESISTOR, FIXED, FILM 220k ohms; $\pm 2\%$; 1/2W	M24500-018PT 24573-129Y	1
26	C4 C6 C10	5910-99-955-4159	B	CAPACITOR, FIXED, CERAMIC DIELECTRIC disc; insulated; 0.1uF, +50% -25%; 30V dc wkg	Erie 811/T/30V (26383-031S)	3
27	C2	5910-99-636-4196	B	CAPACITOR, FIXED, METALLIZED, PAPER-PLASTIC DIELECTRIC 1uF; 10%; 63V dc wkg	M26580-241PT 26582-414R	1
28	C9	5910-99-628-4203	B	CAPACITOR, FIXED, ELECTROLYTIC tantalum electrode; sintered; metal case; 4.7uF, $\pm 20\%$; 35V dc wkg	M26486-203PT 26486-219	1
29	C8 C11	5910-99-631-3456	B	CAPACITOR, FIXED, ELECTROLYTIC tantalum electrodes; sintered; metal case; insulated; 10uF, $\pm 20\%$; 20V dc wkg at 85°C, 13V dc wkg at 125°C	I.T.T. TAA (26488-212N)	2
30	C5	5910-99-628-4225	B	CAPACITOR, FIXED, CERAMIC DIELECTRIC insulated; 22pF, $\pm 20\%$; 500V dc wkg	M26340-313PT 26343-134	1
31	C3	5910-99-628-5003	B	CAPACITOR, FIXED, CERAMIC DIELECTRIC insulated; 0.047uF, +50% -25%; 30V dc wkg	M26383-303PT 26383-018	1

5999-99-645-5668 PANEL, ELECTRONIC CIRCUIT

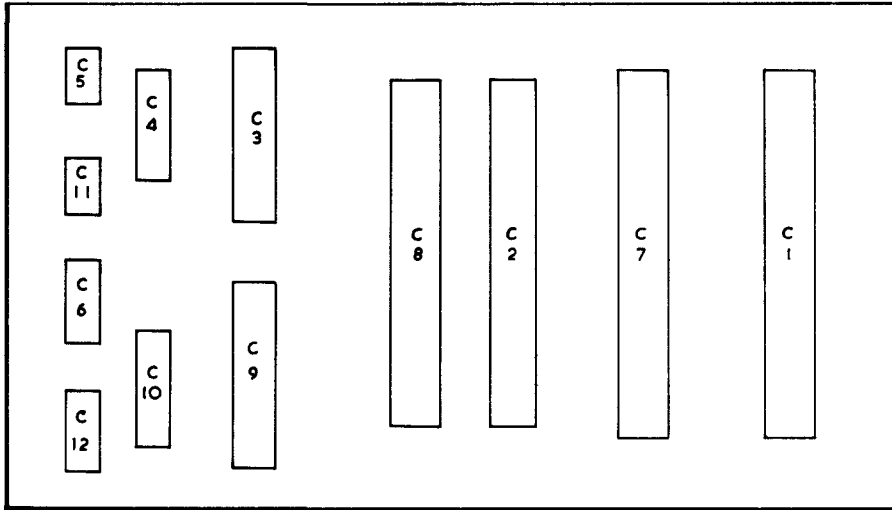
Fig. Item	Cct Ref	NATO Stock No./ Catalogue No.	Indent	Item Name and Description	Maker's Part No./ Drawing No.	No. off
1-32	C1	5910-99-633-9071	B	CAPACITOR, FIXED, ELECTROLYTIC aluminium electrode; processed foil; metal case; insulated; 47uF, +100 -20%; 40V dc wkg	M26410- 580PT 24615-810Z	1
33	C7	5910-99-631-9677	B	CAPACITOR, FIXED, ELECTROLYTIC aluminium electrode; processed foil; metal case; insulated; 220uF, +100 -20%; 10V dc wkg	M26410- 580PT 26415- 817J	1

Chapter 2-1-3

PARTS LIST

5999-99-645-5669
PANEL,ELECTRONIC CIRCUIT
44831-207U

I



CIRCUIT REF	ITEM No.
C1	6
C2	4
C3	7
C4	3
C5	5
C6	2
C7	6
C8	4
C9	7
C10	3
C11	5
C12	2

FIG.I. PANEL, ELECTRONIC CIRCUIT.

Chapter 2-1-3

PARTS LIST

5999-99-645-5669 PANEL, ELECTRONIC CIRCUIT

Fig. Item	Cct Ref.	NATO Stock No./ Catalogue No.	Indent	Item Name and Description	Maker's Part No./ Drawing No.	No. off
1-1		5999-99-645-5669	A	PANEL, ELECTRONIC CIRCUIT board; 102mm by 180mm (approx dim.), c/w 12 capacitors	44831-207U	1
2	C6 C12	5910-99-636-4255	B	CAPACITOR, FIXED, PLASTIC DIELECTRIC metallized; 0.0011uF; \pm 2%; 125V dc wkg	Salford Electrical PF1100 (26516-494X)	2
3	C4 C10	5910-99-956-1418	B	CAPACITOR, FIXED, PLASTIC DIELECTRIC foil; tubular plastic case; 0.0118uF, \pm 5%; 125V dc wkg	Salford Electrical Instruments PF11800ADD (26516-721Y)	2
4	C2 C8	5910-99-956-1426	B	CAPACITOR, FIXED, PLASTIC DIELECTRIC foil; tubular plastic case; 0.118uF, \pm 0.5%; 125V dc wkg	Salford Electrical Instruments PF11800AFD (26516-856N)	2
5	C5 C11	5910-99-956-1429	B	CAPACITOR, FIXED, PLASTIC DIELECTRIC foil; tubular plastic case; 0.0037uF, \pm 1%; 125V dc wkg	Salford Electrical Instruments PF3720ABF (26516-623F)	2
6	C1 C7	5910-99-956-1420	B	CAPACITOR, FIXED, PLASTIC DIELECTRIC foil; tubular plastic case; 0.372uF, \pm 0.5%; 125V dc wkg	Salford Electrical Instruments PF372000AFD (26516-878A)	2
7	C3 C9	5910-99-956-1425	B	CAPACITOR, FIXED, PLASTIC DIELECTRIC foil; tubular plastic case; 0.00372uF, \pm 0.5%; 125V dc wkg	Salford Electrical Instruments PF3720ABD (26516-815A)	2

Chapter 2-2

PARTS LIST

R.F. UNIT ASSEMBLY
44990-028E

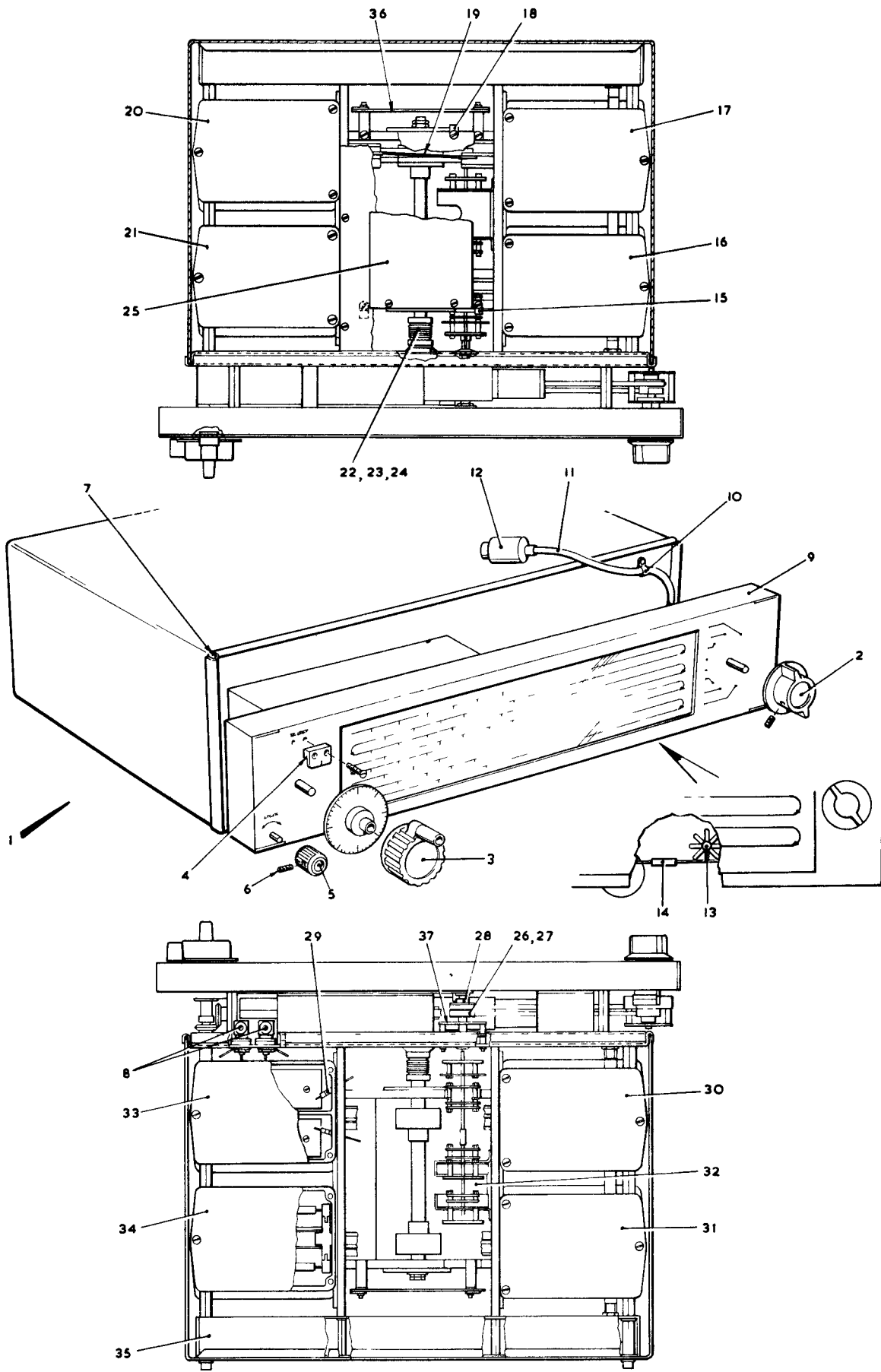


FIG. 1. RF. UNIT ASSEMBLY

Chapter 2-2

PARTS LIST

R.F. UNIT ASSEMBLY 44990-028E

Fig. Item	Cct Ref.	NATO Stock No./ Catalogue No.	Indent	Item Name and Description	Maker's Part No./ Drawing No.	No. off
1-1		- - -	A	R.F. UNIT ASSEMBLY	44990-028E	1RF
2		5355-99-956-1271	B	KNOB polypropylene, setscrew type; bar w/single pointer; 1/4in. bore; 1-1/2in.od, 3/4in.thk; w/skirt	TM6896/4	1
3		5355-99-625-7129	B	KNOB setscrew type; 1/4in.bore; 1/32in.lg, 1-1/2in.w, 1-1/8in.h; w/o skirt	C41146-015	1
4		5355-99-956-1396	B	POINTER DIAL plastic; 5/8in.lg, 15/32in. w, 1/4in.h	TB 25273/18 (31185-723C)	1
5		5355-99-956-1076	B	KNOB aluminium; setscrew type; rd; 1/4in.bore; 1/2in.od, 5/16in.thk; w/o skirt	TB 42517	1
6		5305-99-631-6550	Z	SCREW,GRUB BA, steel, socket drive cap point, cadmium plated and passivated; no.4 by 5/16in. o/a lg	PT21315-132	1
7		5999-99-645-7862	B	WIRE MESH,KNITTED	M13880-202 PT13880-202S	2
8	SKT10 SKT11	5935-99-911-8078	B	SOCKET,ELECTRICAL fixed; brass, 1 pole; male shell; locking type	Transradio BN3/5A	2
9		- - -	B	dial drive assembly For spares details see Chapter 2-2-1	41319-004J	1RF
10		5340-99-640-5104	B	CLAMP, LOOP nylon; 3/8in.w grip; 5/32in. dia fixing hole	Insuloid NX4 (23243-657T)	1

R.F. UNIT ASSEMBLY 44990-028E

Fig. Item	Cct Ref	NATO Stock No./ Catalogue No.	Indent	Item Name and Description	Maker's Part No./ Drawing No.	No. off
1-11		6625-99-645-9271	B	WIRING HARNESS, BRANCHED 2 branches, 30in. o/a approx	43122-101J	1
12		5935-99-940-1999	C	PLUG, ELECTRICAL fixed/free, nylon PF, 18 pole; 3A, 500V PK wkg	McMurdo GX518 (23435-243)	1
13		5940-99-618-4077	B	TERMINAL POST brass; silver plated; 9/16in.w; 11/16in.lg	M23210-154 PT23211- 546F	1
14	R18	5905-99-113-1326	B	RESISTOR, FIXED, FILM insulated; 8 ohms, \pm 2%; 1W	Welwyn 4014 (24755- 481C)	1
15		5340-99-640-5606	B	CLAMP LOOP plastic; 3/16in. loop id, 1/4in.w grip; 1/4in. dia fixing hole	Insuloid NX1 (23243- 652G)	1
16		- - -	B	r.f. tuned filter module For spares details see Chapter 2-2-2	44990-018C	1RF
17		- - -	B	r.f. tuned filter module For spares details see Chapter 2-2-3	44990-020M	1RF
18		5340-99-943-6899	B	CLAMP, LOOP plastic, 1/8in. dia id loop, 1/4in.w, 9/64in. dia fixing hole	MOD SSM(L) 7-4/2 (25234- 641)	1
19		5360-99-645-5671	B	SPRING metallic; w/ends protected; 13mm by 89mm (approx dim.)	41164-003X	4
20		- - -	B	r.f. oscillator module For spares details see Chapter 2-2-4	44990-021C	1RF
21		- - -	B	r.f. oscillator module For spares details see Chapter 2-2-5	44990-023B	1RF

R.F. UNIT ASSEMBLY 44990-028E

Fig. Item	Cct Ref	NATO Stock No./ Catalogue No.	Indent	Item Name and Description	Maker's Part No./ Drawing No.	No. off
1-22		6625-99-645-5673	B	BELLOWS, COUPLING Drayton hydroflex; rd; 0.750in.dia, 0.875in.lg	41315-021H	1
23		5305-99-645-7859	Z	SCREW, GRUB BA; steel; socket drive; half dog point; cadmium plated; No.6 by 3/16in.lg	M21315- 712JNSA PT21315- 712J	2
24		5305-99-645-7858	Z	SCREW, GRUB BA; steel; socket drive; plain cap or w/cap point; cadmium plated; No.4 by 1/8in.lg	M21315-132 PT21315- 142M	8
25		6625-99-645-5712	B	PANEL, ELECTRONIC CIRCUIT board; 82mm by 138mm (approx dim.) 104 components For spares details see Chapter 2-2-6	44823- 313Z	1RF
26		3020-99-645-5715	B	PULLEY, FLAT brass; 0.750in.od; 0.1881 in. dia bore	33218-527L	1
27		5305-99-647-1180	Z	SET SCREW	21315-135D	2
28		3020-99-645-5716	B	PULLEY, CONE brass; 0.75in.od, 0.1881in. dia bore	33621-708M	1
29		5999-99-636-0220	B	BEADS, SCREENING 4.2mm od by 5.5mm lg	M23635- 833PT 23635-833X	11
30		- - -	B	r.f.tuned filter module For spares details see Chapter 2-2-7	44990-017M	1RF
31		- - -	B	r.f.tuned filter module For spares details see Chapter 2-2-8	44990-019R	1RF
32		6625-99-221-6690	B	SWITCH SUBASSEMBLY 4 wafers, 2 discs; 2-7/8in. by 2-13/16in. by 1-3/4in. o/a dim.	TM7520	1

R.F. UNIT ASSEMBLY 44990-028E

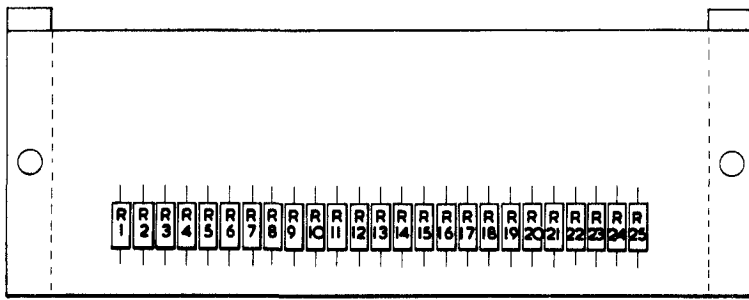
Fig. Item	Cct Ref	NATO Stock No./ Catalogue No.	Indent	Item Name and Description	Maker's Part No./ Drawing No.	No. off
1-33		- - -	B	r.f. oscillator module assembly For spares details see Chapter 2-2-9	44990-024K	1RF
34		- - -	B	r.f. oscillator module For spares details see Chapter 2-2-10	44990-022R	1RF
35		- - -	B	filter box assembly For spares details see Chapter 2-2-11	44990-026Z	1RF
36		6625-99-645-5713	B	PANEL, ELECTRONIC CIRCUIT board; 110mm by 110mm (approx dim.), 112 components For spares details see Chapter 2-2-12	44823-744T	1RF
+ 37		5365-99-645-7860	B	RING, RETAINING steel; designed for external application; 0.214in. min, 0.218in. max id; 0.028in. min, 0.031in. max thk metal; cadmium plated	M22810-272NSA PT22812-721X	1
+ 38	R24	5905-99-625-9983	B	RESISTOR, FIXED, FILM insulated; 15 ohms, $\pm 2\%$; 1/2W	M24500-018 PT24573-101	1
+ 39	R22	5905-99-111-2048	B	RESISTOR, FIXED, FILM insulated; 820k ohms, $\pm 2\%$; 0.125W	Electrosil TR5 (24573-143N)	1
+ 40		6145-99-117-0022	B	CABLE, RADIO FREQUENCY	BICC Ltd RG58c/u (15650-390U)	1ft

+ Not illustrated

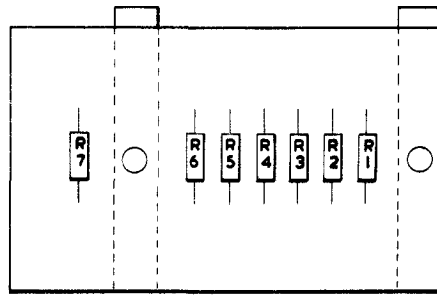
Chapter 2-2-1

PARTS LIST

DIAL DRIVE ASSEMBLY
41319-004J



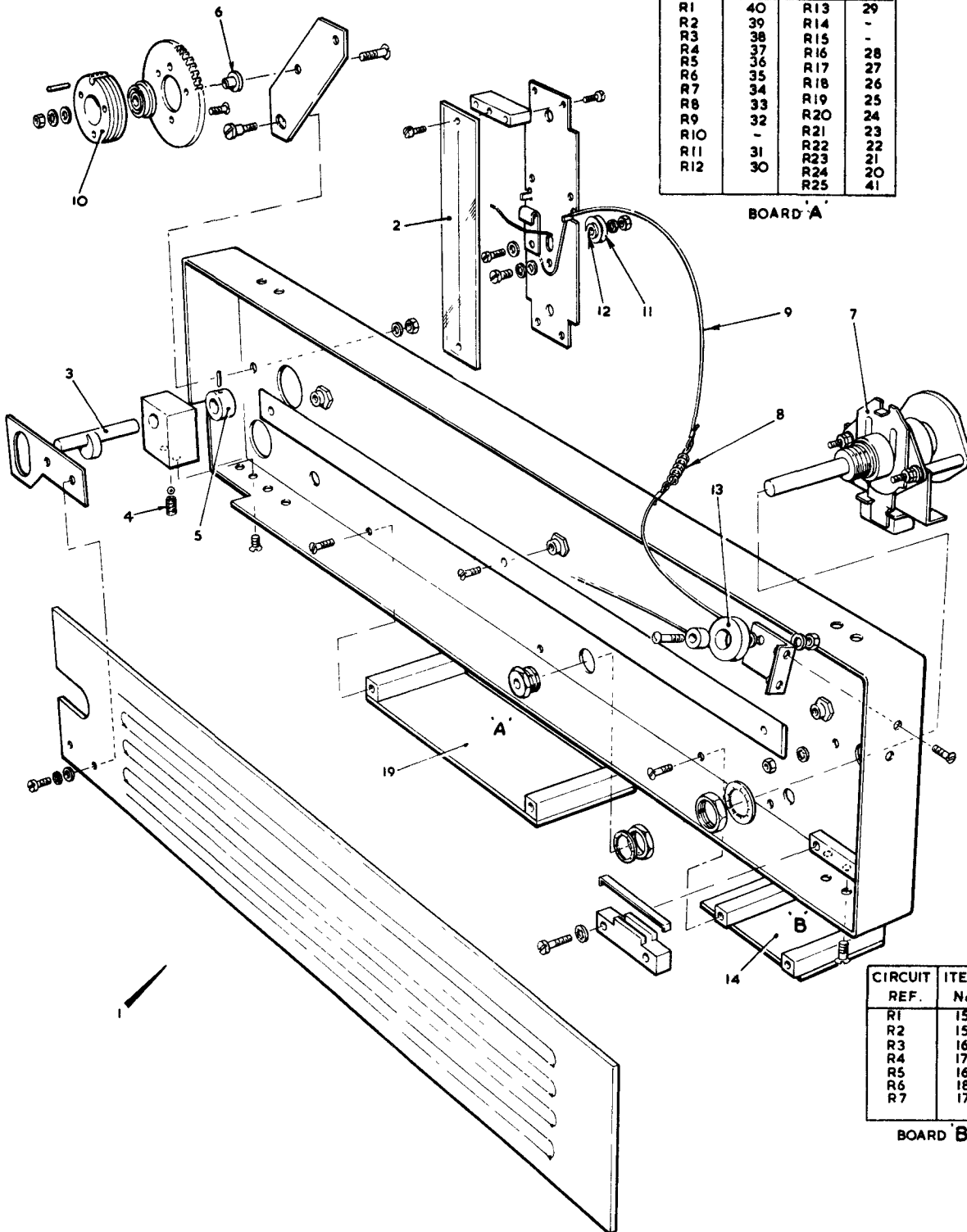
BOARD A



BOARD B

CIRCUIT REF.	ITEM No.	CIRCUIT REF.	ITEM No.
R1	40	R13	29
R2	39	R14	-
R3	38	R15	-
R4	37	R16	28
R5	36	R17	27
R6	35	R18	26
R7	34	R19	25
R8	33	R20	24
R9	32	R21	23
R10	-	R22	22
R11	31	R23	21
R12	30	R24	20
		R25	41

BOARD A



CIRCUIT REF.	ITEM No.
R1	15
R2	15
R3	16
R4	17
R5	16
R6	18
R7	17

BOARD B

FIG. 1. DIAL DRIVE ASSEMBLY

Chapter 2-2-1

PARTS LIST

DIAL DRIVE ASSY 41319-004J

Fig. Item	Cct Ref.	NATO Stock No./ Catalogue No.	Indent	Item Name and Description	Maker's Part No./ Drawing No.	No. off
1-1		- - -	A	DIAL DRIVE ASSY	41319-004J	1RF
2		6625-99-645-5676	B	CURSOR non-metallic; 84mm lg, 19mm w, 2mm thk (approx dim.)	31189-003W	1
3		6625-99-645-5681	B	CAM CONTROL metallic; 1/4in.id, 1/2in. od, 1-3/8in.lg (approx dim.)	31364-105B	1
4		5360-99-645-5675	B	SPRING, HELICAL, COMPRESSION copper alloy; 10 coils; 1/8in. free od; 3/8in. free lg	31111-418K	1
5		5365-99-645-7846	B	SPACER, SLEEVE brass; 1/4in.id; 1/2in.od; 1/4in.lg; locating holes tapped 4BA	33222-714E	1
6		3120-99-645-8756	B	BUSHING, SLEEVE brass; 5/32in.id; 25/64in. od flange; 1/4in.lg	33621-129K	1
7		5930-99-645-7844	B	SWITCH ASSEMBLY composite; irregular shape; 1-1/2in. by 1-3/4in. by 2-3/4in. approx o/a dim.	44335-423T	1
8		5360-99-645-5677	B	SPRING, HELICAL EXTENSION cres; 0.114in.od; 0.802in. o/a lg; lock ends	31121-120Y	1
9		6625-99-221-6805		WIRE ROPE ASSEMBLY, SINGLE LEG stainless steel; 1/16in. dia, 41-1/8in.lg	TM7314 41335-0152	1
10		3020-99-645-5678	B	PULLEY, FLAT Al alloy; 1.062in.od; 0.4995in.dia bore	31341-105S	1
11		3020-99-645-5680	B	PULLEY, GROOVE brass; single groove; 0.406in.od, 0.109in.o/a thk; 0.312in.od hub, straight bore	31344-113Z	1

DIAL DRIVE ASSY 41319-004J

Fig-Item	Cct Ref	NATO Stock No./ Catalogue No.	Indent	Item Name and Description	Maker's Part No./ Drawing No.	No. off
1-12		3120-99-645-5683	B	BUSHING, SLEEVE brass; 3/32in.id; 3/16in. od flange; 0.135in.lg	33621-128B	1
13		3020-99-645-5679	B	PULLEY, GROOVE brass; single groove 27/32in.od; 5/32in. o/a thk; 3/4in.od hub; straight bore	31344-112A	1
14		6625-99-645-5674	B	PANEL, ELECTRONIC CIRCUIT board; 35mm by 59mm (approx dim.), 7 components	44811-341K	1
15	R1 R2	5905-99-645-6943	C	RESISTOR, FIXED, FILM 68k ohms, $\pm 2\%$; 1/2W, encapsulated OR	M24500- 018PT 24573-117C	2
15 (1)	R1 R2	5905-99-631-9808	C	RESISTOR, FIXED, FILM insulated; 47k ohms, $\pm 2\%$; 1/2W OR	M24500- 018PT 24573-113T	2
15 (2)	R1 R2	5905-99-631-9807	C	RESISTOR, FIXED, FILM insulated; 33k ohms, $\pm 2\%$; 1/2W	M24500- 018PT 24573-109D	2
16	R3 R5	5905-99-636-2645	C	RESISTOR, FIXED, FILM 220k ohms, $\pm 2\%$; 1/2W OR	M24500- 018PT 24573-129Y	2
16 (1)	R3 R5	5905-99-626-1099	C	RESISTOR, FIXED, FILM insulated; 100k ohms, $\pm 2\%$; 1/2W OR	M24500- 018PT 24573-121	2
16 (2)	R3 R5	5905-99-628-4648	C	RESISTOR, FIXED, FILM insulated; 150k ohms, $\pm 20\%$; 1/2W	M24500- 018PT 24573-125Z	2
17	R4 R7	5905-99-628-4648	C	RESISTOR, FIXED, FILM insulated; 150k ohms, $\pm 2\%$; 1/2W OR	M24500- 018PT 24573-125Z	2

DIAL DRIVE ASSY 41319-004J

Fig. Item	Cct Ref	NATO Stock No./ Catalogue No.	Ident	Item Name and Description	Maker's Part No./ Drawing No.	No. off
1-17 (1)	R4 R7	5905-99-628-4353	C	RESISTOR, FIXED, FILM insulated; 330k ohms, $\pm 2\%$; 1/2W OR	M24500- 018PT 24573-133N	2
17 (2)	R4 R7	5905-99-636-2645	B	RESISTOR, FIXED, FILM 220k ohms, $\pm 2\%$; 1/2W	M24500- 018PT 24573-129Y	2
18	R6	5905-99-628-4672	C	RESISTOR, FIXED, FILM insulated; 270k ohms, $\pm 2\%$; 1/2W OR	M24500- 018PT 24573-131	1
18 (1)	R6	5905-99-645-6941	C	RESISTOR, FIXED, FILM 180k ohms, $\pm 2\%$; 1/2W; encapsulated OR	M24500- 018PT 24573-127E	1
18 (2)	R6	5905-99-645-6942	C	RESISTOR, FIXED, FILM 390k ohms; $\pm 2\%$; 1/2W; encapsulated	M24500- 018PT 24573-135J	1
19		5999-99-645-9270	B	PANEL, ELECTRONIC CIRCUIT board, 120mm lg, 40mm w, 20mm h approx o/a dim; 25 resistors	44811-340B	1
20	R24	5905-99-618-1425	C	RESISTOR, FIXED, FILM insulated; 24 ohms, $\pm 2\%$; 1/2W	Welwyn MR5 (24573- 034F)	1
21	R23	5905-99-113-6656	C	RESISTOR, FIXED, FILM insulated; 27 ohms, $\pm 2\%$; 0.5W	Welwyn MR5 (24573- 035G)	1
22	R22	5905-99-618-1138	C	RESISTOR, FIXED, FILM insulated; 30 ohms, $\pm 2\%$; 1/2, 1/4, 1/8W rating	Electrosil TR5 (24573- 036V)	1
23	R21	5905-99-628-4592	C	RESISTOR, FIXED, FILM insulated; 33 ohms, $\pm 2\%$; 1/2W	M24500- 018PT 24573-037S	1
24	R20	5905-99-520-2371	C	RESISTOR, FIXED, FILM insulated; 36 ohms, $\pm 2\%$; 1/8W	Electrosil TR5 (24573-038W)	1

DIAL DRIVE ASSY 41319-004J

Fig-Item	Cct Ref	NATO Stock No./ Catalogue No.	Indent	Item Name and Description	Maker's Part No./ Drawing No.	No. off
1-25	R19	5905-99-119-3965	C	RESISTOR, FIXED, FILM insulated; 39 ohms total resistance, 0.5W, rated at 70°C, 150°C ambient temp at zero pct W rating. $\pm 2\%$ initial selection tolerance.	M24500-018PT 2473-039D	1
26	R18	5905-99-013-5962	C	RESISTOR, FIXED, FILM insulated; 43 ohms $\pm 2\%$; 0.125W	BS9111-N-002 style EX (24573-040S)	1
27	R17	5905-99-628-4614	C	RESISTOR, FIXED, FILM insulated; 47 ohms, $\pm 2\%$; 1/2W	M24500-081PT 24573-041W	1
28	R16	5905-99-628-5026	C	RESISTOR, FIXED, FILM insulated; 51 ohms, $\pm 2\%$; 1/2W	M24500-018PT 24573-042D	1
28 (1)	R14	5905-99-628-4674	C	RESISTOR, FIXED, FILM insulated; 62 ohms, $\pm 2\%$; 1/2W	M24500-018PT 24573-044P	1
29	R13	5905-99-628-4641	C	RESISTOR, FIXED, FILM insulated; 68 ohms, $\pm 2\%$; 1/2W	M24500-018PT 24573-045X	1
30	R12	5905-99-013-5847	C	RESISTOR, FIXED, FILM insulated; 75 ohms, $\pm 1\%$; 0.125W	BS9111-N-002 style EX (24573-046M)	1
31	R11	5905-99-628-4637	C	RESISTOR, FIXED, FILM insulated; 82 ohms, $\pm 2\%$; 1/2W	M24500-018PT 24573-047	1
32	R9	5905-99-633-1213	C	RESISTOR, FIXED, FILM insulated; 100 ohms, $\pm 2\%$; 1/2W	M24500-018PT 24573-049B	1
33	R8	5905-99-113-7027	C	RESISTOR, FIXED, FILM insulated; 110 ohms, $\pm 2\%$; 0.5W	Welwyn MR5 (24573-050C)	1

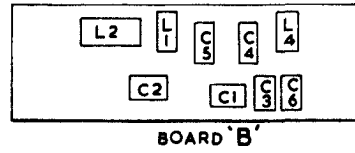
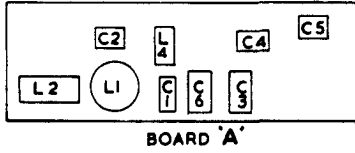
DIAL DRIVE ASSY 41319-004J

Fig. Item	Cct Ref	NATO Stock No./ Catalogue No.	Indent	Item Name and Description	Maker's Part No./ Drawing No.	No. off
1-34	R7	5905-99-632-0384	C	RESISTOR, FIXED, FILM metal oxide film, 120 ohms, ± 2%; 1/2W	Welwyn MR5 (24573- 051R)	1
35	R6	5905-99-112-0109	C	RESISTOR, FIXED, FILM insulated; 130 ohms, ± 2%; 1/2W max	Electrosil TR5 (24573- 052B)	1
36	R5	5905-99-630-0964	C	RESISTOR, FIXED, FILM insulated; 150 ohms, ± 2%; 1/2W at 70 deg C	M24500- 018PT 24573- 053K	1
37	R4	5905-99-628-4649	C	RESISTOR, FIXED, FILM insulated; 160 ohms, ± 2%; 1/2W	M24500- 018PT 24573- 054A	1
38	R3	5905-99-626-1981	C	RESISTOR, FIXED, FILM insulated; 180 ohms, ± 2%; 1/2W	M24500- 018PT 24573-055Z	1
39	R2	5905-99-645-6940	C	RESISTOR, FIXED, FILM 200 ohms, ± 2%; 1/2W encapsulated	M24500- 018PT 24573-056H	1
40	R1	5905-99-636-0223	C	RESISTOR, FIXED, FILM insulated; 220 ohms, ± 2%; 1/2W	M24500- 018PT 24573- 057E	1
41	R25	5905-99-115-2563	C	RESISTOR, FIXED, FILM insulated; 240 ohms, ± 2%; 1/8W, 1/4W, 1/2W	Electrosil TR5 (24573- 058U)	1

Chapter 2-2-2

PARTS LIST

R.F. TUNED FILTER MODULE
44990-018C



CIRCUIT REF.	ITEM No.
C1	13
C2	9
C3	8
C4	10
C5	11
C6	12
L1	6
L2	5
L4	7

CIRCUIT REF.	ITEM No.
C1	20
C2	19
C3	18
C4	20
C5	21
C6	22
L1	17
L2	15
L4	16

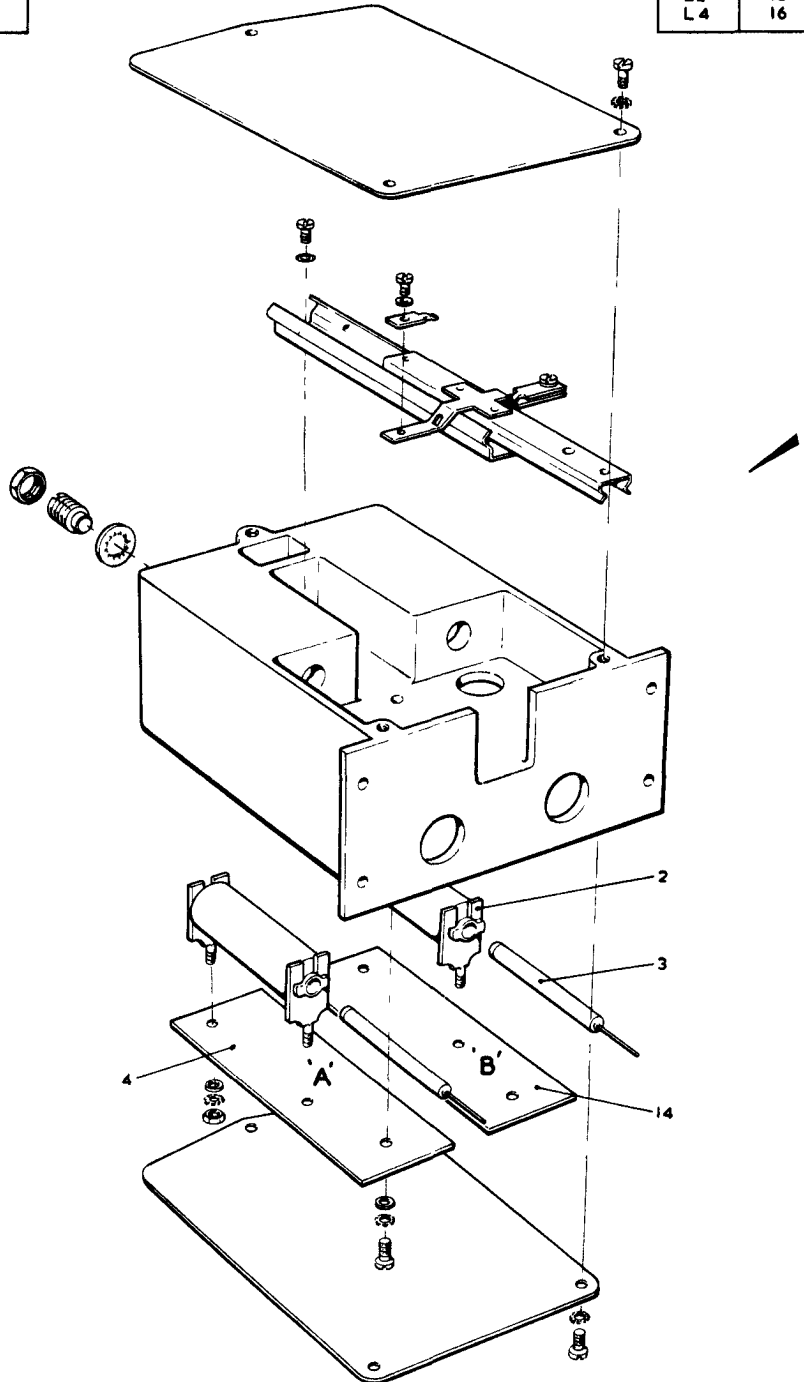


FIG. I. R.F. TUNED FILTER MODULE

Chapter 2-2-2

PARTS LIST

R.F.TUNED FILTER MODULE 44990-018C

Fig. Item	Cct Ref.	NATO Stock No./ Catalogue No.	Indent	Item Name and Description	Maker's Part No./ Drawing No.	No. off
1-1		- - -	A	R.F.TUNED FILTER MODULE	44990-018C	1RF
2	L3	5950-99-956-1709	B	INDUCTOR,RADIO FREQUENCY 90 turns unscreened; 2-3/16 in.lg, 5/8in.w, 1-1/8in. l, approx o/a dim.	TM7664/6 44263-047X	1
3		5950-99-645-6946	B	CORE,ADJUSTABLE TUNING carlona p.polypropylene; 7/32in.dia length unstated	31556-514N	2
4		6625-99-645-5690	B	PANEL,ELECTRONIC CIRCUIT board, 30mm by 94mm (approx dim.), 9 components	44811-333X	1
5	L2	5750-99-956-1718	C	INDUCTOR,RADIO FREQUENCY	TM7722/5 44264-205P	1
6	L1	5950-99-645-5686	C	INDUCTOR,AUDIO FREQUENCY 313mH; not rated for curr current; 22mm dia, 18mm lg, o/a dim. approx	44265-402C	1
7	L4	5950-99-192-8168	C	INDUCTOR,RADIO FREQUENCY screened; 5/16in.dia; 1uH	Cambion 3635-37 (23642- 337H)	1
8	C3	5910-99-628-4199	C	CAPACITOR,FIXED,PLASTIC DIELECTRIC foil; plastic case; 0.001uF, \pm 2%; 125V dc wkg	M26516- 003PT 26516-481L	1
9	C2	5910-99-636-4251	C	CAPACITOR,FIXED,METALLIZED, PAPER-PLASTIC DIELECTRIC 1 section; plastic case; 0.015uF; \pm 10%; 250V dc wkg	Mullard 34441153 (26582- 203P)	1
10	C4	5910-99-620-5689	C	CAPACITOR,FIXED,METALLIZED PAPER-PLASTIC DIELECTRIC 1 section; plastic case; 0.033uF, \pm 10%; 250V dc wkg	Mullard 34441333 (26582- 205M)	1

R.F. TUNED FILTER MODULE 44990-018C

Fig. Item	Cct Ref	NATO Stock No./ Catalogue No.	Indent	Item Name and Description	Maker's Part No./ Drawing No.	No. off
1-11	C5	5910-99-645-9272	C	CAPACITOR, FIXED, PLASTICS DIELECTRIC 1 section; metal case; insulated; 0.068pF, 250V dc wkg	M26582-205PT26 582-207R	1
12	C6	5910-99-580-7192	C	CAPACITOR, FIXED, PLASTICS DIELECTRIC foil; tub; plastics case; 820pF, $\pm 2\%$; 125V	Salford PF820 (26516-46 2X)	1
13	C1	5910-99-645-6947	C	CAPACITOR, FIXED, PLASTICS DIELECTRIC 1 section; metal case; insulated; 0.047uF, 250V dc wkg	M26582-205 Pt26582-206C	1
14		6625-99-645-5691	B	PANEL, ELECTRONIC CIRCUIT board; 30mm lg, 94mm approx dim., 9 components	44811-335C	1
15	L2	5950-99-645-5692	C	INDUCTOR, RADIO FREQUENCY not rated for number of turns; unscreened; inductance not rated	44247-010U	1
16	L4	5950-99-632-3520	C	INDUCTANCE 100uH	26342-325P	1
17	L1	5905-99-636-4227	C	CHOKE RADIO FREQUENCY 330uH; 5/16in. dia, 3/8in. lg	Cambion 3635-31 (23642-331C)	1
18	C3	5910-99-645-9276	C	CAPACITOR, FIXED, METALLIZED, PAPER-PLASTICS DIELECTRIC 1 section; 200pF, $\pm 2\%$; 160V dc wkg	M26516-003Pt26 516-315G	1
19	C2	5910-99- 636-4214	C	CAPACITOR <i>Fixed 0.001uF</i> <i>$\pm 2\%$ 160V Scl 600/160V Pk</i>	26516-543H	1
20	C1 C4	5910-99-636-4206	C	CAPACITOR, FIXED, PLASTICS DIELECTRIC metallised; 0.0033uF, $\pm 2\%$; 125V dc wkg	Salford PF3300 (26516-609Z)	2

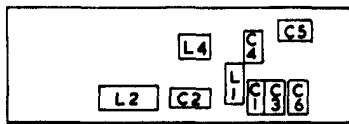
R.F. TUNED FILTER MODULE 44990-018C

Fig. Item	Cct Ref	NATO Stock No./ Catalogue No.	Indent	Item Name and Description	Maker's Part No./ Drawing No.	No. off
1-21	C5	5910-99-638-4549	C	CAPACITOR, FIXED, METALLIZED PAPER-PLASTICS DIELECTRIC 1 sect; plastics case; 0.01pF, \pm 10%; 250V dc wkg	M26582-205PT2 6582-202T	1
22	C6	5910-99-115-2881	C	CAPACITOR, FIXED, PLASTICS DIELECTRIC foil; electrode, metal case; 68pF, \pm 2pF, 2.941%, 125V dc	M26516-003Pt 265 16-201Z	1
				OR		
22 (1)	C6	5910-99-945-1537	C	CAPACITOR, FIXED, PLASTICS DIELECTRIC foil; tubular plastics case; 47pF, \pm 2pF; 125V dc wkg	Salford PF47 (26516-165E)	1
				OR		
22 (2)	C6	5910-99-628-4201	C	CAPACITOR, FIXED, PLASTICS DIELECTRIC foil; plastics case; 56pF, \pm 2%; (3.57%) 160V dc wkg	M26516-003Pt 265 16-181W	1
				OR		
22 (3)	C6	5910-99-105-2180	C	CAPACITOR, FIXED, PLASTICS DIELECTRIC foil; tubular; plastics case; 82pF; 125V dc wkg	Salford PF82 (26516-222P)	1
				OR		
22 (4)	C6	5910-99-913-6616	C	CAPACITOR, FIXED, PLASTICS DIELECTRIC foil; tub. plastics case; 100pF, \pm 2%; 125V dc wkg	Salford PF100 (26516-241N)	1
				OR		
22 (5)	C6	5910-99-645-9275	C	CAPACITOR, FIXED, METALLIZED, PAPER-PLASTIC DIELECTRIC 1 section; 0.0012uF, \pm 2%; 160V dc wkg	M26516-003Pt265 16-512E	1

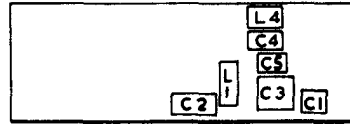
Chapter 2-2-3

PARTS LIST

R.F. TUNED
FILTER MODULE ASSEMBLY
44990-020M



BOARD A



BOARD B

CIRCUIT REF.	ITEM No.
C1	10
C2	12
C3	9
C4	10
C5	11
C6	13
L1	8
L2	5
L4	7

CIRCUIT REF.	ITEM No.
C1	18
C2	19
C3	20
C4	17
C5	-
L1	16
L4	-

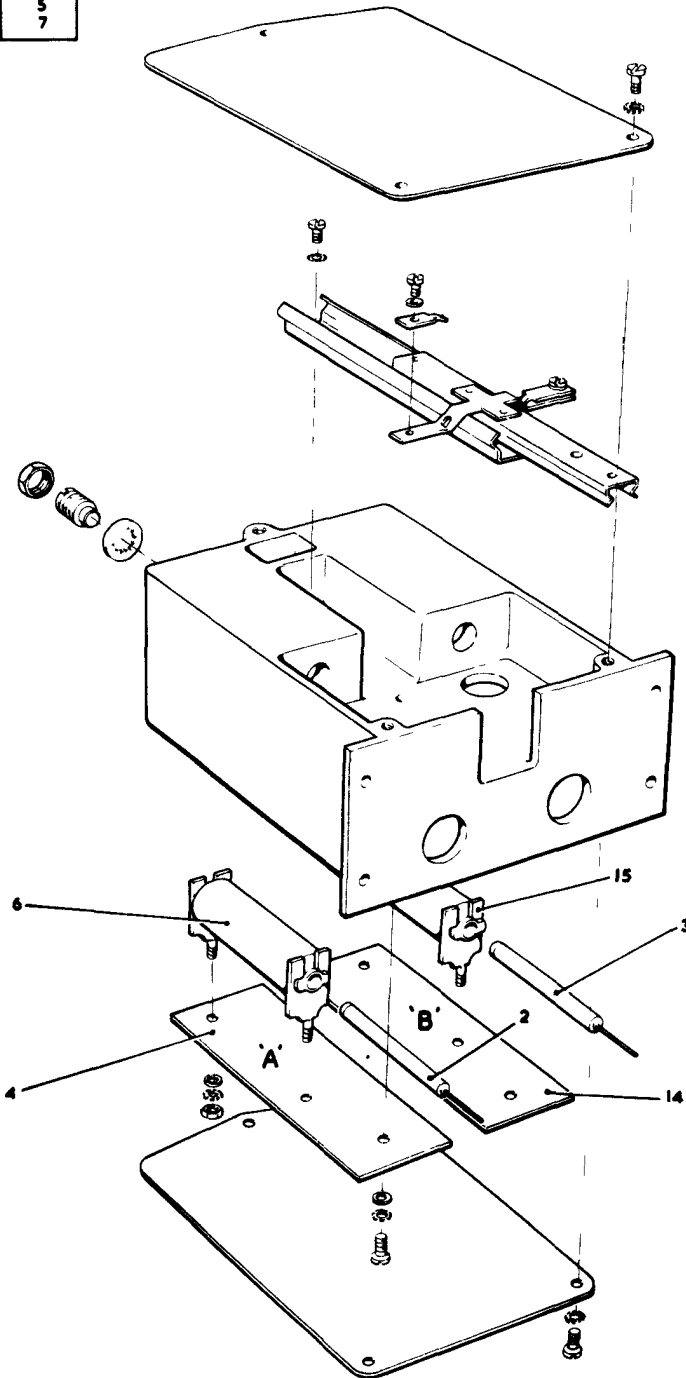


FIG. 1. R.F. TUNED FILTER MODULE ASSEMBLY

Chapter 2-2-3

PARTS LIST

R.F. TUNED FILTER MODULE ASSEMBLY 44990-020M

Fig. Item	Cct Ref.	NATO Stock No./ Catalogue No.	Indent	Item Name and Description	Maker's Part No./ Drawing No.	No. off
1-1		- - -	A	R.F. TUNED FILTER MODULE ASSEMBLY	44990-020M	1RF
2		5950-99-645-6946	B	CORE, ADJUSTABLE TUNING carlona p. polypropylene; 7/32in. dia, length unstated	31556-514N	1
3		5950-99-645-6948	B	CORE, ADJUSTABLE TUNING carlona p. polypropylene, 7/32in. dia, length unstated	31556-528X	1
4		6625-99-645-5696	B	PANEL, ELECTRONIC CIRCUIT board; 30mm by 94mm (approx dim.); 9 components	44811-337B	1
5	L2	5950-99-645-5697	C	INDUCTOR, RADIO FREQUENCY 5 turns; unscreened; 3.2 to 10 MHz	44290-011F	1
6	L3	5950-99-956-1711	C	INDUCTOR, RADIO FREQUENCY	TM7664/9	1
7	L4	5950-99-628-2609	C	INDUCTOR, RADIO FREQUENCY screened; 7.92mm dia, 9.52mm lg; 10uH	M23642-313PT 23642-313	1
8	L1	5950-99-636-4228	C	CHOKE, RADIO FREQUENCY 33.0uH; \pm 10%; 5/32in. dia, 3/8in. lg	Cambion 3640-57-2 (23642-490S)	1
9	C3	5910-99-628-4201	C	CAPACITOR, FIXED, PLASTICS DIELECTRIC <i>56 pF \pm 2 pF 160V</i>	M26516-003 PT26516-181W	1
10	C1 C4	5910-99-628-4240	C	CAPACITOR, FIXED, PLASTICS DIELECTRIC foil; plastics case; 330pF, \pm 2%; 125V dc wkg	M26516-003PT 26516-369E	2
11	C5	5910-99-628-4204	C	CAPACITOR, FIXED, PLASTICS DIELECTRIC foil; plastics case; 680pF, \pm 2%; 125V dc wkg	M26516-003PT 26516-444Y	1

R.F. TUNED FILTER MODULE ASSEMBLY 44990-020M

Fig.- Item	Cct Ref	NATO Stock No./ Catalogue No.	Ident	Item Name and Description	Maker's Part No./ Drawing No.	No. off
1-12	C2	5910-99-628-7208	C	CAPACITOR, FIXED, PLASTICS DIELECTRIC foil; plastic case; 0.0028uF, \pm 2%; 125V dc wkg	M26516- 003PT 26516-591S	1
13	C6	5910-99-628-4193	C	CAPACITOR, FIXED, PLASTICS DIELECTRIC foil; plastics case; 12pF, \pm 1pF; 160V dc wkg OR	M26516- 003PT 26516-014	1
13 (1)	C6	5910-99-645-9278	C	CAPACITOR, FIXED, METALLISED, PAPER-PLASTIC DIELECTRIC 1 section; 8.2pF, \pm 1pF; 160V dc wkg OR	M26516-003 PT26516- 905D	1
13 (2)	C6	5910-99-945-1531	C	CAPACITOR, FIXED, PLASTICS DIELECTRIC foil; tub. plastics case; 10pF \pm 10%; 125V dc wkg OR	Salford PF10 (26516- 009W)	1
13 (3)	C6	5910-99-631-6465	C	CAPACITOR, FIXED, PLASTICS DIELECTRIC foil electrode; 15pF \pm 1.5pF; 125V dc wkg OR	M26516- 003PT 26516-018C	1
13 (4)	C6	5910-99-625-7155	C	CAPACITOR, FIXED, PLASTICS DIELECTRIC foil; plastics case; 18pF, \pm 2pF (11.666%); 125V dc wkg	M26516- 003PT 26516-028E	1
14		6625-99-645-5698	B	PANEL, ELECTRONIC CIRCUIT board; 30mm by 94mm (approx dim.); 7 components	44811-339A	1
15	L3	5950-99-636-4231	C	INDUCTOR, RADIO FREQUENCY 7-1/2 turns; unscreened	TB41697/2	1
16	L1	5999-99-112-7302	C	CHOKE, RADIO FREQUENCY 7.9Mc; 0.156in. dia, 0.375in. lg	Cambion 3640-33-2 (23642- 485G)	1

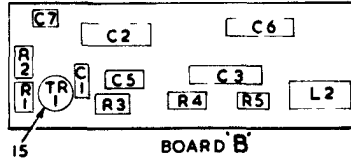
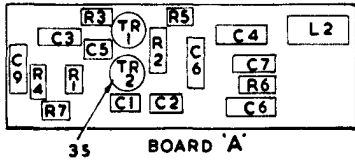
R.F. TUNED FILTER MODULE ASSEMBLY 44990-020M

Fig. Item	Cct Ref	NATO Stock No./ Catalogue No.	Indent	Item Name and Description	Maker's Part No./ Drawing No.	No. off
1-17	C4	5910-99-636-4212	C	CAPACITOR, FIXED, MICA DIELECTRIC 1 section; 33pF, \pm 1pF; 350V dc wkg	Matthey Printed Products C14F (26272- 391L)	1
18	C1	5910-99-628-4218	C	CAPACITOR, FIXED, CERAMIC DIELECTRIC insulated; 33pF, \pm 20%; 500V dc wkg	M26340- 314PT 26343-146M	1
19	C2	5910-99-628-4216	C	CAPACITOR, FIXED, CERAMIC DIELECTRIC insulated; 47pF, \pm 20%; 500V dc wkg	M26340- 315PT 26343-160E	1
19 (1)	C2	5910-99-628-2626	C	OR CAPACITOR, FIXED, CERAMIC DIELECTRIC insulated; 220pF, \pm 20%; 500V dc wkg	M26383- 131PT 26383-134	1
20	C3	5910-99-951-6737	C	CAPACITOR, VARIABLE, AIR DIELECTRIC plate meshing; 13.4pF max	Oxley SMT9/10.9 (26817- 238D)	1

Chapter 2-2-4

PARTS LIST

R.F. OSCILLATOR MODULE
44990-021C



CIRCUIT REF.	ITEM No.	CIRCUIT REF.	ITEM No.
C1	32	L2	18
C2	30	R1	23
C3	27	R2	22
C4	33	R3	19
C5	25	R4	21
C6	31	R5	20
C7	28	R6	20
C8	29	R7	24
C9	26	TR1	34
		TR2	34

CIRCUIT REF.	ITEM No.	CIRCUIT REF.	ITEM No.
C1	10	R1	9
C2	13	R2	8
C3	12	R3	8
C5	11	R4	7
C6	12	R5	6
C7	10		
L2	5	TR1	14

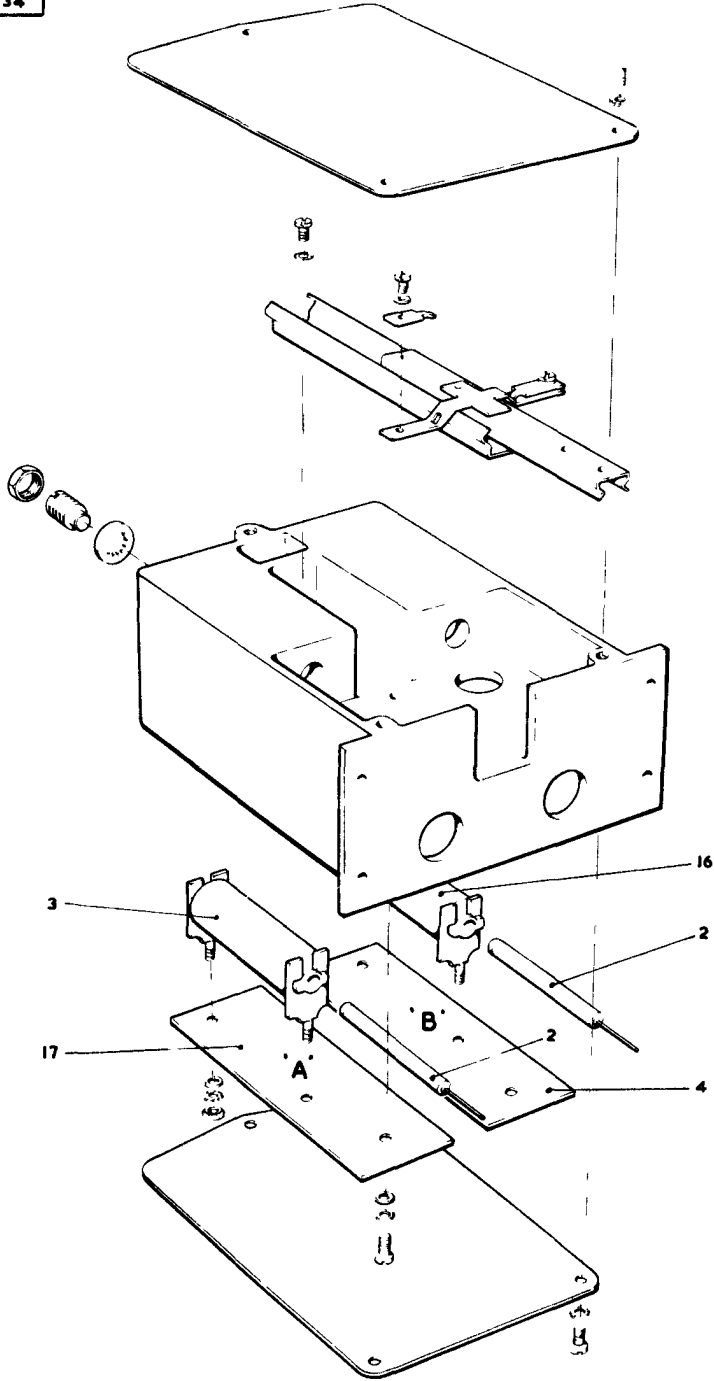


FIG. I. R. F. OSCILLATOR MODULE

Chapter 2-2-4

PARTS LIST

R.F. OSCILLATOR MODULE 44990-021C

Fig. Item	Cct Ref.	NATO Stock No./ Catalogue No.	Indent	Item Name and Description	Maker's Part No./ Drawing No.	No. off
1-1		- - -	A	R.F. OSCILLATOR MODULE	44990-021C	1RF
2		5950-99-645-6949	B	CORE, ADJUSTABLE TUNING carlona p. polypropylene; 7/32in. dia, length unstated	31556-516J	2
3	L1	5950-99-956-1705	B	INDUCTOR, RADIO FREQUENCY 275 turns; unscreened; 2-3/16in. lg, 5/8in. w, 1-1/8in. h approx dim.	TM7664/2	1
4		6625-99-645-5699	B	PANEL, ELECTRONIC CIRCUIT board; 30mm by 94mm (approx dim.); 14 components	44821-281L	1
5	L2	5750-99-956-1718	C	INDUCTOR, RADIO FREQUENCY	TM7722/5 (44264-205P)	1
6	R5	5905-99-633-1213	C	RESISTOR, FIXED, FILM insulated; 100 ohms, $\pm 2\%$; 1/2W	M24500- 018PT 24573- 049B	1
7	R4	5905-99-220-8178	C	RESISTOR, FIXED, FILM insulated; 910 ohms, $\pm 2\%$; 0.125W	Electrosil TR5 (24573- 072S)	1
8	R2 R3	5905-99-630-0966	C	RESISTOR, FIXED, FILM insulated; 1k ohm, $\pm 2\%$; 1/2W at 70 deg C	M24500- 018PT 24573-073W	2
9	R1	5905-99-628-4638	C	RESISTOR, FIXED, FILM insulated; 3.3k ohms, $\pm 2\%$; 1/2W	M24500- 018PT 24573-085	1
10	C1 C7	5910-99-955-4159	C	CAPACITOR, FIXED, CERAMIC DIELECTRIC disc; insulated; 0.1uF, +50% -25%; 30V dc wkg	Erie 811/T/30V (26383- 031S)	2

R.F. OSCILLATOR MODULE 44990-021C

Fig.- Item	Cct Ref	NATO Stock No./ Catalogue No.	Indent	Item Name and Description	Maker's Part No./ Drawing No.	No. off
1-11	C5	5910-99-945-9173	C	CAPACITOR, FIXED, PLASTICS DIELECTRIC metallised electrode; miniature tub type; plastic case; 0.047uF, \pm 5%; 160V dc	Waycom WIMA TROPYFOL M (26511- 337K)	1
12	C3 C6	5910-99-636-0222	C	CAPACITOR, FIXED, PLASTICS DIELECTRIC metallised, plastics case, 1uF \pm 5%; 160V dc wkg	M26511- 339PT 26511-382N	2
13	C2	5910-99-956-1506	C	CAPACITOR, FIXED, PLASTICS DIELECTRIC foil; tub. plastics case; 0.11uF, \pm 20%; 50V dc wkg	Telephone Mfg. Co. Ltd. 5125667 (26518- 293X)	1
14	TR1	5961-99-118-4737	C	TRANSISTOR	M28435/ 235PT 28435/235	1
15		5961-99-631-0526	C	MOUNTING PAD, ELECTRICAL- ELECTRONIC COMPONENT nylon, 0.300in.od, 0.180in. thk	28488-115L	1
16	L1	5950-99-956-1708	B	INDUCTOR, RADIO FREQUENCY 154 turns; unscreened; 2-3/16in.lg, 5/8in.w, 1-1/8in.h; approx o/a dim.	TM7664/5	1
17		6625-99-645-5700	B	PANEL, ELECTRONIC CIRCUIT board; 30mm by 94mm (approx dim.); 19 components	44821-283F	1
18	L2	5950-99-645-5688	C	INDUCTOR, RADIO FREQUENCY not rated for number of turns; unscreened; 7.9MHz	44257-211H	1
19	R3	5905-99-630-0966	C	RESISTOR, FIXED, FILM insulated; 1k ohm, \pm 2%; 1/2W at 70 deg	M24500- 018PT 24573-073W	1
20	R5 R6	5905-99-636-2646	C	RESISTOR, FIXED, FILM 1.5k ohms, \pm 2%; 1/2W	M24500- 018PT 24573-077X	2

R.F. OSCILLATOR MODULE 44990-021C

Fig. Item	Cct Ref	NATO Stock No./ Catalogue No.	Indent	Item Name and Description	Maker's Part No./ Drawing No.	No. off
1-21	R4	5905-99-628-4638	C	RESISTOR, FIXED, FILM insulated; 3.3k ohms, $\pm 2\%$; 1/2W	M24500-018PT 24573-085	1
22	R2	5905-99-628-4635	C	RESISTOR, FIXED, FILM insulated; 6.8k ohms, $\pm 2\%$; 1/2W	M24500-018PT 24573-093	1
23	R1	5905-99-645-6939	C	RESISTOR, FIXED, FILM 1.3k ohms, $\pm 2\%$; 1/2W; encapsulated	M24500-018PT 24573-100Y	1
24	R7	5905-99-113-6647	C	RESISTOR, FIXED, FILM insulated; 82k ohms, $\pm 20\%$; 1/2W	Welwyn MR5 (24573-119B)	1
25	C5	5910-99-955-4159	C	CAPACITOR, FIXED, CERAMIC DIELECTRIC disc; insulated; 0.1uF $\pm 50\%$ -25%; 30V dc wkg	Erie 811/T/30V (26383-031S)	1
26	C9	5910-99-645-7850	C	CAPACITOR, FIXED, PLASTICS DIELECTRIC 1 section; plastic; 0.0068uF; $\pm 5\%$; 160V dc wkg	M26511-164NSA PT26511-164B	1
27	C3	5910-99-141-0569	C	CAPACITOR, FIXED, PLASTICS DIELECTRIC 0.015uF, $\pm 5\%$; 125V dc wkg	Westermann Tropyfol M (26511-319G)	1
				OR		
27 (1)	C3	5910-99-630-0376	C	CAPACITOR, FIXED, PLASTICS DIELECTRIC metallized; plastics case; 0.022uF, $\pm 10\%$; 400V dc wkg	Waycom Wima TROPYFOL M (26511-324S)	1
				OR		
27 (2)	C3	5910-99-117-2480	C	CAPACITOR, FIXED, PLASTICS DIELECTRIC foil; tub. plastics case, 0.01uF, $\pm 5\%$; 400V dc wkg	S.R.D.E. SD/B201018/ 24 (26511-316L)	1

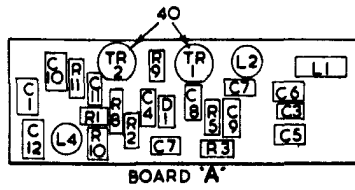
R.F. OSCILLATOR MODULE 44990-021C

Fig. Item	Cct Ref	NATO Stock No./ Catalogue No.	Indent	Item Name and Description	Maker's Part No./ Drawing No.	No. off
1-28	C7	5910-99-523-4953	C	CAPACITOR, FIXED, PLASTICS DIELECTRIC metallised electrode; tub. plastics case, 0.033uF, \pm 5%; 160V dc wkg	Waycom Wima Tropyfol M (26511-330T)	1
29	C8	5910-99-628-4232	C	CAPACITOR, FIXED, PLASTICS DIELECTRIC metallised; plastics case; 0.1uF, \pm 5%; 160V dc wkg	M26511-339PT 26511-349	1
30	C2	5910-99-913-6616	C	CAPACITOR, FIXED, PLASTICS DIELECTRIC foil; tub. plastics case; 100pF \pm 2%; 125V dc wkg	Salford PF 100 (26516-241N)	1
31	C6	5910-99-628-4199	C	CAPACITOR, FIXED, PLASTICS DIELECTRIC foil; plastics case; 0.001uF, \pm 2%; 125V dc wkg	M26516-003PT 26516-481L	1
31 (1)	C6	5910-99-645-9275	C	CAPACITOR, FIXED, METALLIZED, PAPER-PLASTIC DIELECTRIC 1 section; 0.0012 uF, \pm 2%; 160V dc wkg	M26516-003PT 26516-512E	1
31 (2)	C6	5910-99-580-7192	C	CAPACITOR, FIXED, PLASTICS DIELECTRIC foil; tub. plastics case; 820pF, \pm 2%; 125V	Salford PF820 (26516-462X)	1
32	C1	5910-99-628-7208	C	CAPACITOR, FIXED, PLASTICS DIELECTRIC foil; plastics case; 0.0028uF, \pm 2%; 125V dc wkg	M26516-003PT 26516-591S	1
33	C4	5910-99-625-7153	C	CAPACITOR, FIXED, PLASTICS DIELECTRIC foil; plastics case; 0.003uF, \pm 2%; 125V dc wkg	M26516-003PT 26516-597	1
34	TR1 TR2	5961-99-118-5367	C	TRANSISTOR	M28452/ 197PT 28452-197H	2
35		5961-99-631-0526	C	MOUNTING PAD, ELECTRICAL-ELECTRONIC COMPONENT nylon, 0.300in.od, 0.180in. thk	28488-115L	2

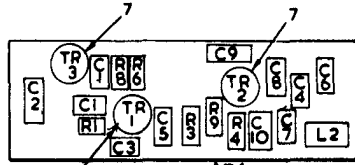
Chapter 2-2-5

PARTS LIST

R.F. OSCILLATOR MODULE
44990-023B



BOARD 'A'



BOARD 'B'

CIRCUIT REF.	ITEM No.	CIRCUIT REF.	ITEM No.
C1	38	L1	42
C2	34	L2	43
C3	32	L4	43
C4	37	R1	27
C5	31	R2	28
C6	35	R3	29
C7	35	R5	29
C8	36	R8	30
C9	33	R10	25
C10	37	R11	26
C11		TR1	30
C12		TR2	39
D1	41		

CIRCUIT REF.	ITEM No.	CIRCUIT REF.	ITEM No.
C1	21	R1	10
C2	19	R3	12
C3	16	R4	11
C4	14	R6	12
C5	22	R8	9
C6	13	R9	12
C7	17		
C8	17	TR1	5
C9	18	TR2	6
C10	15	TR3	6
C11	20		
L2	23		

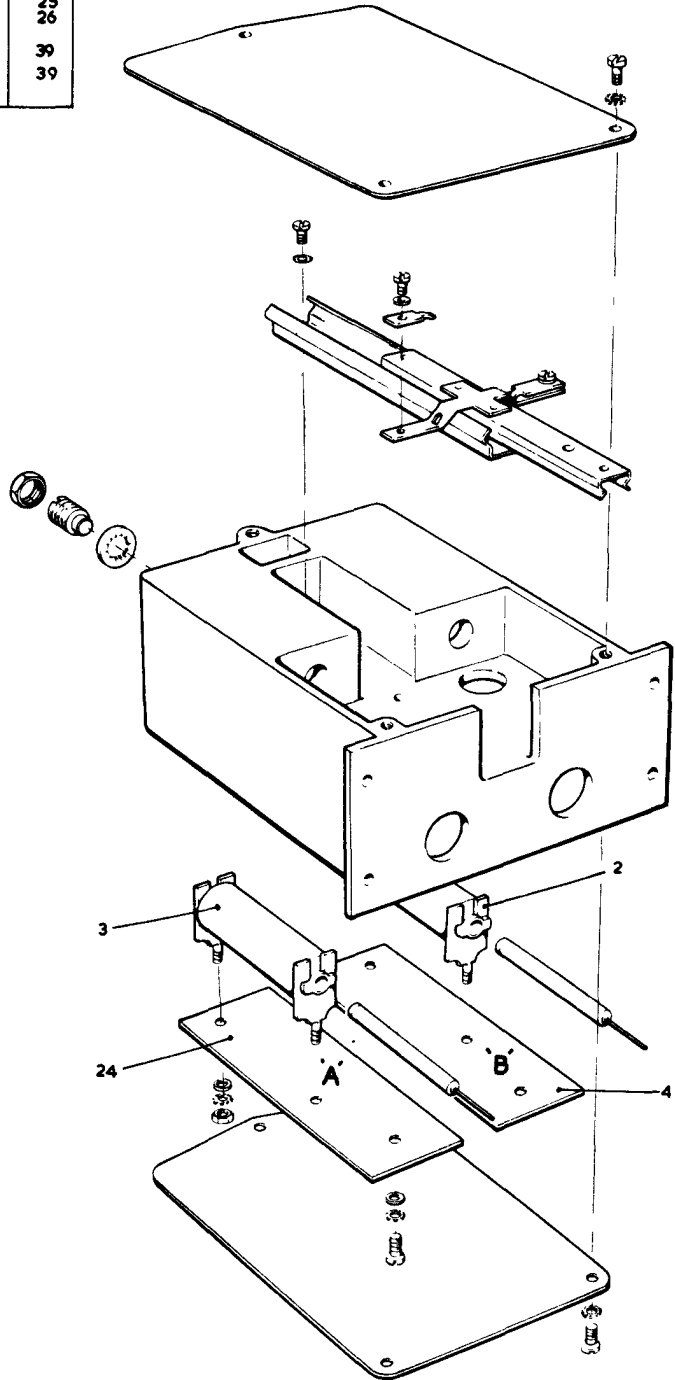


FIG. I. R. F. OSCILLATOR MODULE

Chapter 2-2-5

PARTS LIST

R.F. OSCILLATOR MODULE 44990-023B

Fig-Item	Cct Ref.	NATO Stock No./ Catalogue No.	Indent	Item Name and Description	Maker's Part No./ Drawing No.	No. off
1-1		- - -	A	R.F. OSCILLATOR MODULE	44990-023B	1RF
2	L1	5950-99-956-1710	B	INDUCTOR,RADIO FREQUENCY	TM7664/8	1
3	L3	5950-99-107-3062	B	INDUCTOR,RADIO FREQUENCY screened; 5/8in. by 7/8in. by 2-1/8in. approx o/a dim. not rated for inductance	TM7761/1	1
4		6625-99-645-5703	B	PANEL,ELECTRONIC CIRCUIT board; 30mm by 94mm (approx dim.), 23 components	44821-278L	1
5	TR1	5961-99-118-5367	C	TRANSISTOR	M28452/ 197PT 28452-197H	1
6	TR2 TR3	5961-99-118-8372	C	TRANSISTOR	M28459- 024PT 28459- 024K	2
7		5999-99-645-7841	C	MOUNTING PAD,ELECTRICAL- ELECTRONIC COMPONENT nylon; 0.280in.dia, 0.150in.lg	M28488- 108E PT28488- 108E	2
8		5961-99-631-0526	C	MOUNTING PAD,ELECTRICAL- ELECTRONIC COMPONENT nylon; 0.300in.od, 0.180 in.thk	28488-115L	1
9	R8	^{013 6283} 5905-99-645-9313	C	RESISTOR,FIXED,FILM 680 ohms, \pm 2%; 1/4W; encapsulated MICROSIL TR4	M24500-013 24511-576E 24511-576E 24511-576E	1
10	R1	^{013 6261} 5905-99-645-9315	C	RESISTOR,FIXED,FILM 10k ohms, \pm 2%; 1/4W; encapsulated MICROSIL TR4	M24500-3,570 013PT 24511-610K	1
11	R4	^{013 6267} 5905-99-645-9314	C	RESISTOR,FIXED,FILM 18k ohms, \pm 2%; 1/4W; encapsulated MICROSIL TR4	M24500-D,570 013PT 24511-616V	1

R.F. OSCILLATOR MODULE 44990-023B

Fig.- Item	Cct Ref	NATO Stock No./ Catalogue No.	Indent	Item Name and Description	Maker's Part No./ Drawing No.	No. off
1-12	R3 R6 R9	5905-99- 645-9316 ^{013 6285}	C	RESISTOR, FIXED, FILM 100k ohms; \pm 2%; 1/4W; encapsulated	WELLS WARRL ELECTRIC HO 4 M24500 013PT 24511-635M	3
13	C6	5910-99-628-5027	C	CAPACITOR, FIXED, CERAMIC DIELECTRIC insulated; 15pF, \pm 0.25pF (16.66%), 750V dc wkg	M26324- 706PT 26324-712	1
13 (1)	C6	5910-99-624-6769	C	CAPACITOR, FIXED, CERAMIC DIELECTRIC insulated; 33pF, \pm 5%; 750V dc wkg	M26324- 795PT 26324-822	1
13 (2)	C6	5910-99-119-5637	C	CAPACITOR, FIXED, CERAMIC DIELECTRIC uninsulated; 100pF, \pm 2%; 750V dc wkg	Erie N750ED (26324-897H)	1
14	C4	5910-99-914-9992	C	CAPACITOR, FIXED, CERAMIC DIELECTRIC tubular; insulated; 22pF, \pm 5%; 750V dc wkg	Erie AD/N750 (26324- 807S)	1
15	C10	5910-99-193-7613	C	CAPACITOR, FIXED, MICA DIELECTRIC metallised; rect plastics case; 22pF, \pm 1pF, 350V dc wkg	Johnson Matthey C14F (26272- 036K)	1
16	C3	5910-99-636-4212	C	CAPACITOR, FIXED, MICA DIELECTRIC 1 section; 33pF, \pm 1pF; 350V dc wkg	Matthey Printed Products C14F (26272- 391L)	2
17	C7 C8	5910-99-193-7629	C	CAPACITOR, FIXED, MICA DIELECTRIC metallised; rect plastics case; 560pF, \pm 2%; 350V dc wkg	Johnson Matthey C14F (26272- 107A)	2
18	C9	5910-99- 636-4214 ^{580 718F}	C	CAPACITOR fixed ^{0.0018 μF} 120 160V	26516-543H SIC 600/100V PF	1

R.F. OSCILLATOR MODULE 44990-023B

Fig-Item	Cct Ref.	NATO Stock No./ Catalogue No.	Indent	Item Name and Description	Maker's Part No./ Drawing No.	No. off
1-19	C2	5910-99-628-4199	C	CAPACITOR, FIXED, PLASTICS DIELECTRIC foil; plastics case; 0.001 μ F, \pm 2%; 125V dc wkg	M26516-033PT 26516-481L	1
20	C11	5910-99-971-8508	C	CAPACITOR, FIXED, CERAMIC DIELECTRIC disc; insulated; 0.1 μ F +80% -20%; 100V dc wkg	Erie 801/K800011 (26383-055L)	1
21	C1	5910-99-645-9272	C	CAPACITOR, FIXED, PLASTICS DIELECTRIC 1 section; metal case; insulated; 0.068 μ F, 250V dc wkg	M26582-205 PT26582-207R	1
22	C5	5910-99-955-4159	C	CAPACITOR, FIXED, CERAMIC DIELECTRIC disc; insulated; 0.1 μ F, +50% -25%; 30V dc wkg	Erie 811/T/30V (26383-031S)	1
23	L2	5950-99-645-5694	C	INDUCTOR, RADIO FREQUENCY not rated for number of turns; unscreened; inductance not rated	44233-014W	
24		6625-99-620-9396	B	PANEL, ELECTRONIC CIRCUIT 27 components	C44823-315E	1
25	R10	5905-99-013-6197	C	RESISTOR, FIXED, FILM 22 ohms; \pm 1%; $\frac{1}{4}$ W	Electrosil TR4 Welwyn MR4 ITT/Erie MO4	1
26	R11	5905-99-013-6233	C	RESISTOR, FIXED, FILM 680 ohms; \pm 1%; $\frac{1}{4}$ W	Electrosil TR4 Welwyn MR4 ITT/Erie MO4	1
27	R1	5905-99-013-6253	C	RESISTOR, FIXED, FILM 4.7 ohms. \pm 1%; $\frac{1}{4}$ W	Electrosil TR4 Welwyn MR4 ITT/Erie MO4	1
28	R2	5905-99-013-6263	C	RESISTOR, FIXED, FILM 12K ohms, \pm 1%; $\frac{1}{4}$ W	Electrosil TR4 Welwyn MR4 ITT/Erie MO4	1
29	R3 R5	5905-99-013-6285	C	RESISTOR, FIXED, FILM 100K ohms; \pm 1%; $\frac{1}{4}$ W	Electrosil TR4 Welwyn MR4 ITT/Erie MO4	2

R.F. OSCILLATOR MODULE 44990-023B

Fig-Item	Cct Ref.	NATO Stock No./ Catalogue No.	Indent	Item Name and Description	Maker's Part No./ Drawing No.	No. off
1-30	R8	5905-99-628-4648	C	RESISTOR, FIXED, FILM insulated; 150K ohms, ±2%; 1/2W	M24500-018PT 24573-125Z	1
31	C5	5910-99-628-5022	C	CAPACITOR, FIXED, CERAMIC DIELECTRIC insulated; 4.7pF, ±0.25pF (5.31%); 750V dc wkg	M26324-005PT 26324-017	1
31 (1)	C5	5910-99-114-2982	C	CAPACITOR, FIXED, CERAMIC DIELECTRIC 1 section; plastics case; 10pF, ±0.25pF; 750V dc wkg	Erie XD (26324-709S)	1
31 (2)	C5	5910-99-628-5027	C	CAPACITOR, FIXED, CERAMIC DIELECTRIC insulated; 15pF, ±0.25pF (16.66%); 750V dc wkg	M26324-706PT 26324-712	1
32	C3	5910-99-933-1716	C	CAPACITOR, FIXED, CERAMIC DIELECTRIC 4.7pF, ±10%; 63V dc wkg	Erie P100AD (26324-055V)	1
33	C9	5910-99-645-9287	C	CAPACITOR, FIXED, MICA DIELECTRIC 1 section; plastics case; 39pF, ±1pF; 350V dc wkg	M26272-001NSAPT 26272-053G	1
33 (1)	C9	5910-99-223-1110	C	CAPACITOR, FIXED, MICA DIELECTRIC metallised; rect plastics case; 47pF, ±1pF; 350V dc wkg	Matthey Printed Products C14F (26272-387N)	1
34	C2	5910-99-913-6618	C	CAPACITOR, FIXED, PLASTICS DIELECTRIC foil; tub. plastics case; 390pF, ±2%; 125V dc wkg	Salford Electrical PF390 (26516-387T)	1
35	C6 C7	5910-99-193-7622	C	CAPACITOR, FIXED, MICA DIELECTRIC metallised; rect plastics case; 100pF, ±2%; 350V dc wkg	Johnson Matthey C14F (26272-315Z)	2

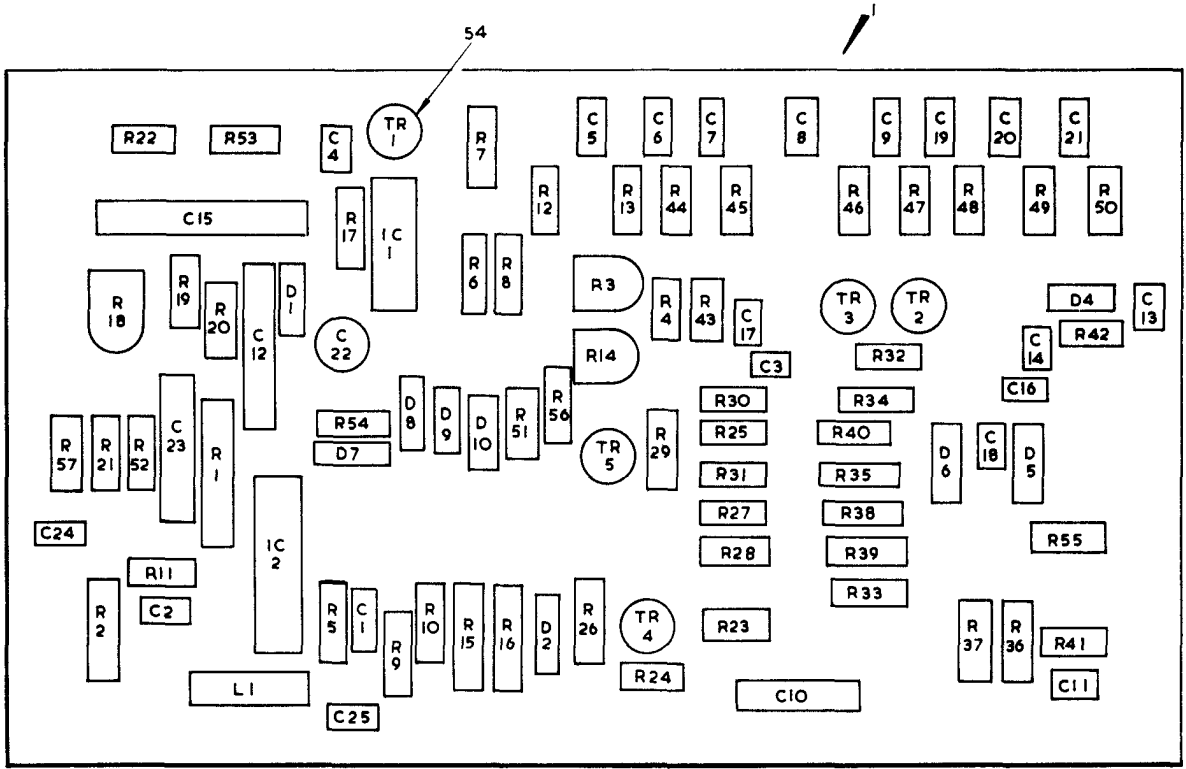
R.F. OSCILLATOR MODULE 44990-023B

Fig. Item	Cct Ref	NATO Stock No./ Catalogue No.	Indent	Item Name and Description	Maker's Part No./ Drawing No.	No. off
1-36	C8	5910-99-714-2125	C	CAPACITOR, FIXED, MICA DIELECTRIC 1 section; plastic; 0.001uF - 2% tolerance; 350V dc at -55 deg C to +125 deg C	Matthey Printed Products C14F (26272-150Y)	1
37	C4 C10 C11 C12	5910-99-900-4599	C	CAPACITOR, FIXED, CERAMIC DIELECTRIC disc; 0.001uF, \pm 80 - 20%; 500V dc wkg	Erie K350081831 (26383-242P)	4
38	C1	5910-99-645-9281	C	CAPACITOR, FIXED, METALLIZED, PAPER-PLASTIC DIELECTRIC 1 section; 0.0015uF, \pm 2%; 160V dc wkg	M26516-003PT 26516-524S	1
39	TR1 TR2	5961-99-118-8372	C	TRANSISTOR	M28459-024PT 28459-024K	2
40		5999-99-645-7841	C	MOUNTING PAD, ELECTRICAL-ELECTRONIC COMPONENT	M28488-108E PT 28488-108E	2
41	D1	5961-99-118-4793	C	SEMICONDUCTOR DEVICE, DIODE	M28381-081PT 28381-135W	1
42	L1	5950-99-112-9743	C	INDUCTOR, RADIO FREQUENCY 2-1/2 turns	B44223-203A	1
43	L2 L4	5950-99-632-3520	C	INDUCTANCE 100uH	26342-325P	2

Chapter 2-2-6

PARTS LIST

6625-99-645-5712
PANEL, ELECTRONIC CIRCUIT
44823-313Z



CIRCUIT REF	ITEM No.	CIRCUIT REF	ITEM No.	CIRCUIT REF	ITEM No.	CIRCUIT REF	ITEM No.
C1	41	D1	46	R14	19	R43	14
C2	43	D2	47	R15	18	R44	8
C3	35	D4	48	R16	18	R45	7
C4	34	D5	49	R17	25	R46	10
C5	40	D6	49	R18	12	R47	
C6	39	D7	50	R19	21	R48	
C7	39	D8		R20	21	R49	
C8	39	D9		R21	30	R50	
C9	38	D10	R22	9	R51	27	
C10	42		R23	22	R52	29	
C11	44	IC1	55	R24	22	R53	6
C12	42	IC2	56	R25	27	R54	20
C13	35			R26	27	R55	9
C14	44	LI	2	R27	27	R56	9
C15	45			TO	21	R57	26
C16	32	R1	18	R31			
C17	39	R2	18	R32			
C18	32	R3	28	R33	31	TR1	51
C19	38	R4	31	R34	31	TR2	51
C20	37	R5	18	R35	21	TR3	52
C21	37	R6	15	R36	11	TR4	53
C22	42	R7	24	R37	11	TR5	51
C23	42	R8	23	R38	21		
C24	38	R9	4	R39	21		
		R10	17	R40	27		
		R11	3	R41	27		
		R12	21	R42	5		
C25	36	R13	8				

FIG. I. PANEL, ELECTRONIC CIRCUIT.

Chapter 2-2-6

PARTS LIST

6625-99-645-5712 PANEL, ELECTRONIC CIRCUIT

Fig. Item	Cct Ref.	NATO Stock No./ Catalogue No.	Indent	Item Name and Description	Maker's Part No./ Drawing No.	No. off
1-1		6625-99-645-5712	A	PANEL, ELECTRONIC CIRCUIT board; 82mm by 138mm (approx dim.), 104 components	44823-313Z	1
2	L1	5905-99-223-3321	B	INDUCTOR, RADIO FREQUENCY unscreened; 0.14 dia, 0.34in. lg, 4.7uH, $\pm 10\%$	Painton 58-10- 0009-10 (23642- 553J)	1
3	R11	013 6189 5905-99- 645-9323	B	RESISTOR, FIXED, FILM 10 ohms, $\pm 2\%$; 1/4W; encapsulated <i>Micros. C Tel</i>	<i>will work with</i> M24500-175 013PT 24511-520J <i>1704</i>	1
4	R9	013 6189 5905-99- 645-9317	B	RESISTOR, FIXED, FILM 22 ohms; $\pm 2\%$; 1/4W; encapsulated, <i>Micros. C Tel</i>	M24500- 013P 24511-528P	1
5	R42	5905-99-628-5007	B	RESISTOR, FIXED, FILM non-insulated; 50 ohms, $\pm 1\%$; 1/4W	M24500- 002PT 24616-321Z	1
6	R53	013 6213 5905-99- 645-9324	B	RESISTOR, FIXED, FILM 100 ohms, $\pm 2\%$; 1/4W; encapsulated	24500-4s1 013PT 24511-550N	1
7	R45	5905-99-630-3516	B	RESISTOR, FIXED, FILM insulated; 150 ohms, $\pm 2\%$; 1/4W	M24770-321 24773-253F	1
				OR		
7 (1)	R45	5905-99-645-9289	B	RESISTOR, FIXED, FILM 180 ohms; $\pm 2\%$; 1/4W; encapsulated	M24770- 321PT 24773-255V	1
				OR		
7 (2)	R45	5905-99-620-1628	B	RESISTOR, FIXED, FILM insulated; 220 ohms, $\pm 2\%$; 0.4W	Mullard MR25 (24773- 257W)	1
				OR		
7 (3)	R45	5905-99-636-0452	B	RESISTOR, FIXED, FILM 270 ohms, $\pm 2\%$; 1/4W at 70° C	M24770- 321PT 24773-259T	1

6625-99-645-5712 PANEL, ELECTRONIC CIRCUIT

Fig. Item	Cct Ref	NATO Stock No./ Catalogue No.	Indent	Item Name and Description	Maker's Part No./ Drawing No.	No. off
1-8	R13 R44	5905-99-630-3517	B	RESISTOR, FIXED, FILM insulated; 330 ohms, \pm 2%; 1/4W	M24770-321 24773-261D	2
				OR		
8 (1)	R13 R44	5905-99-645-9290	B	RESISTOR, FIXED, FILM 390 ohms, \pm 2%; 1/4W; encapsulated	M24770- 321PT 24773-263P	2
				OR		
8 (2)	R13 R44	5905-99-630-3518	B	RESISTOR, FIXED, FILM insulated; 470 ohms, \pm 2%; 1/4W	M24770-321 24773-265M	2
				OR		
8 (3)	R13 R44	5905-99-645-9291	B	RESISTOR, FIXED, FILM 560 ohms; \pm 2%; 1/4W; encapsulated	M24770-321 24773-267R	2
9	R22 R55 R56	5905-99-630-3518	B	RESISTOR, FIXED, FILM insulated; 470 ohms, \pm 2%; 1/4W	M24770- 321PT 24773-265M	3
10	R46 R47 R48	5905-99-630-3519	B	RESISTOR, FIXED, FILM insulated; 680 ohms, \pm 2%; 1/4W	M24770-321 24773-269K	3
				OR		
10 (1)	R46 R47 R48	5905-99-628-4591	B	RESISTOR, FIXED, FILM insulated; 820 ohms, \pm 2%; 1/4W	M24770- 321PT 24773-271	3
				OR		
10 (2)	R46 R47 R48	5905-99-624-6792	B	RESISTOR, FIXED, FILM insulated; 1k ohm, \pm 2%; 1/4W	M24770- 321PT 24773-273	3
				OR		
10 (3)	R46 R47 R48	5905-99-628-4593	B	RESISTOR, FIXED, FILM insulated; 1.2k ohms, \pm 2%; 1/4W	M24770- 321PT 24773-275	3
11	R36 R37	5905-99-624-6792	B	RESISTOR, FIXED, FILM insulated; 1k ohms, \pm 2%; 1/4W	M24770- 321PT 24773-273	2
12	R18	5905-99-645-9292	B	RESISTOR, VARIABLE 1 section; composition; 1k ohms, \pm 20%; 0.5W; linear	M25541- 301NSA 25541-319T	1

6625-99-645-5712 PANEL ELECTRONIC CIRCUIT

Fig.- Item	Cct Ref.	NATO Stock No./ Catalogue No.	Indent	Item Name and Description	Maker's Part No./ Drawing No.	No. off
1-13	R49	5905-99-635-3060	B	RESISTOR, FIXED, FILM insulated; 1.5K ohms, $\pm 2\%$; $\frac{1}{4}W$	M24770-321 24773-277U	1
				OR		
13 (1)	R49	5905-99-628-4633	B	RESISTOR, FIXED, FILM insulated; 1.8K ohms, $\pm 2\%$; $\frac{1}{4}W$	M24770-321 24773-279	1
				OR		
13 (2)	R49	5905-99-624-6795	B	RESISTOR, FIXED, FILM insulated; 2.2K ohms, $\pm 2\%$; $\frac{1}{4}W$	M24770-321 24773-281	1
				OR		
13 (3)	R49	5905-99-630-3524	B	RESISTOR, FIXED, FILM insulated; 2.7K ohms, $\pm 2\%$; $\frac{1}{4}W$	M24770-321 24773-283	1
14	R43	5905-99-013-6245	B	RESISTOR, FIXED, FILM 2.2K ohms, $\pm 1\%$; $\frac{1}{4}W$	Electrosil TR4 Welwyn MR4 ITT/Erie MO4	1
15	R6	5905-99-013-6249	B	RESISTOR, FIXED, FILM 2.2K ohms, $\pm 1\%$; $\frac{1}{4}W$	Electrosil TR4 Welwyn MR4 ITT/Erie MO4	1
16	R50	5905-99-624-6790	B	RESISTOR, FIXED, FILM insulated; 4.7K ohms, $\pm 2\%$; $\frac{1}{4}W$	M24770-321 24773-289	1
				OR		
16 (1)	R50	5905-99-628-4628	B	RESISTOR, FIXED, FILM insulated; 6.8K ohms, $\pm 2\%$; $\frac{1}{4}W$	M24770-321 24773-293	1
				OR		
16 (2)	R50	5905-99-624-6788	B	RESISTOR, FIXED, FILM insulated; 8.2K ohms, $\pm 2\%$; $\frac{1}{4}W$	M24770-321 24773-295	1
				OR		
16 (3)	R50	5905-99-624-6787	B	RESISTOR, FIXED, FILM insulated; 10K ohms, $\pm 2\%$; $\frac{1}{4}W$	M24770-321 24773-297	1
				OR		
16 (4)	R50	5905-99-628-4607	B	RESISTOR, FIXED, FILM insulated; 12K ohms, $\pm 2\%$; $\frac{1}{4}W$	M24770-321 24773-299	1
17	R10	5905-99-013-6253	B	RESISTOR, FIXED, FILM 4.7K ohms; $\pm 1\%$; $\frac{1}{4}W$; encapsulated	Electrosil TR4 Welwyn MR4 ITT/Erie MO4	1

6625-99-645-5712 PANEL, ELECTRONIC CIRCUIT

Fig.- Item	Cct Ref.	NATO Stock No./ Catalogue No.	Indent	Item Name and Description	Maker's Part No./ Drawing No.	No. off
1-18	R1, R2 R5, R15 R16	5905-99-636-4161	B	RESISTOR, FIXED, FILM 5K ohms, $\pm 5\%$; $\frac{1}{2}W$	Holsworthy Electronics H4 24753-878D	5
19	R14	5905-99-645-9293	B	RESISTOR, VARIABLE 1 section; composition; 5K ohms $\pm 20\%$; O.S.W.; linear	M25541-301 25541-327R	1
20	R54	5905-99-013-6257	B	RESISTOR, FIXED, FILM 6.8K ohms, $\pm 1\%$; $\frac{1}{4}W$	Electrosil TR4 Welwyn MR4 ITT/Erie MO4	1
21	R12 R19 R20 R27 to R31 R34 R35 R38 R39	5905-99-013-6261	B	RESISTOR, FIXED, FILM 10K ohms, $\pm 1\%$; $\frac{1}{4}W$	Electrosil TR4 Welwyn MR4 ITT/Erie MO4	12
22	R23 R24	5905-99-013-6262	B	RESISTOR, FIXED, FILM 11K ohms, $\pm 1\%$; $\frac{1}{4}W$	Electrosil TR4 Welwyn MR4 ITT/Erie MO4	2
23	R8	5905-99-013-6263	B	RESISTOR, FIXED, FILM 12K ohms, $\pm 1\%$; $\frac{1}{4}W$	Electrosil TR4 Welwyn MR4 ITT/Erie MO4	1
24	R7	5905-99-013-6265	B	RESISTOR, FIXED, FILM 15K ohms, $\pm 1\%$; $\frac{1}{4}W$	Electrosil TR4 Welwyn MR4 ITT/Erie MO4	1
25	R17	5905-99-013-6269	B	RESISTOR, FIXED, FILM 22K ohms, $\pm 1\%$; $\frac{1}{4}W$	Electrosil TR4 Welwyn MR4 ITT/Erie MO4	1

6625-99-645-5712 PANEL, ELECTRONIC CIRCUIT

Fig. Item	Cct Ref	NATO Stock No./ Catalogue No.	indent	Item Name and Description	Maker's Part No./ Drawing No.	No. off
1-26	R57	013 6277 5905-99- 645-9331	B	RESISTOR, FIXED, FILM 47k ohms, $\pm 1\%$; 1/4W; encapsulated ELECTRONIC TRG	M24500-171104 M24500-171104 013PT 24511-626S	1
27	R25 R26 R40 R41 R51	013 6273 5905-99- 645-9330	B	RESISTOR, FIXED, FILM 33k ohms, $\pm 1\%$; 1/4W; encapsulated	M24500-D1580 013PT 24511-622J	5
28	R3	5905-99-636-4151	B	RESISTOR, VARIABLE 50k ohms, $\pm 2\%$; 1/4W	25541-344J	1
29	R52	013 6281 5905-99- 647-0628	B	RESISTOR, FIXED, FILM 68k ohms; $\pm 1\%$; 1/4W; encapsulated	M24500- 013PT AS 24511-631D	1 -27
30	R21	5905-99-628-4625	B	RESISTOR, FIXED, FILM insulated; 68k ohms, $\pm 2\%$; 1/4W	M24770- 321PT 24773-317	1
31	R4 R32 R33	013 6285 5905-99- 645-9326	B	RESISTOR, FIXED, FILM 100k ohms, $\pm 1\%$; 1/4W; encapsulated	M24500- 013PT AS 24511-635M	3 1-27
32	C16 C18	5910-99-628-4230	B	CAPACITOR, FIXED, CERAMIC DIELECTRIC insulated; 1.5pF, 0.5pF, 500V dc wkg	M26340- 310PT 26343-106	2
33	C13	5910-99-628-4208	B	CAPACITOR, FIXED, CERAMIC DIELECTRIC insulated; 10pF, $\pm 20\%$; 500V dc wkg	M26340- 312PT 26343-120B	1
34	C4	5910-99-628-4218	B	CAPACITOR, FIXED, CERAMIC DIELECTRIC insulated; 33pF, $\pm 20\%$; 500V dc wkg	M26340-314 PT26343- 146M	1
35	C3	5910-99-628-4207	B	CAPACITOR, FIXED, CERAMIC DIELECTRIC insulated; 100pF, $\pm 20\%$; 500V dc wkg	M26340- 316PT 26343-167G	1
36	C25	5910-99-109-3352	B	CAPACITOR, FIXED, PLASTICS DIELECTRIC foil; tub. plastics case; 220pF, $\pm 2\%$; 125V dc wkg OR	MLP 43103	1

6625-99-645-5712 PANEL, ELECTRONIC CIRCUIT

Fig. Item	Cct Ref	NATO Stock No./ Catalogue No.	Indent	Item Name and Description	Maker's Part No./ Drawing No.	No. off
1-36 (1)	C25	5910-99-115-3767	B	CAPACITOR, FIXED, PLASTICS DIELECTRIC foil; plastics case; 470pF, + 2%; 125V dc wkg OR	M26516-003PT 26516-406	1
36 (2)	C25	5910-99-628-4204	B	CAPACITOR, FIXED, PLASTICS DIELECTRIC foil; plastics case; 680pF, + 2%; 125V dc wkg OR	M26516-003PT 26516-444Y	1
36 (3)	C25	5910-99-580-7192	B	CAPACITOR, FIXED, PLASTICS DIELECTRIC foil; tub. plastics case; 820pF, + 2%; 125V	Salford Electrical PF820 (26516-462X)	1
37	C20 C21	5910-99-628-2610	B	CAPACITOR, FIXED, CERAMIC DIELECTRIC insulated; 330pF, + 20%; 500V dc wkg	M26383-131PT 26383-136T	2
38	C9 C19 C24	5910-99-900-4599	B	CAPACITOR, FIXED, CERAMIC DIELECTRIC disc; 0.001uF, +80 -20%; 500V dc wkg	Erie Electronics K350081-831 (26383-242P)	3
39	C7 C8 C17	5910-99-971-8508	B	CAPACITOR, FIXED, CERAMIC DIELECTRIC disc insulated; 0.01uF, +80% -20%; 100V dc wkg	Erie Resistor 801K800011 (26383-055L)	3
40	C5 C6	5910-99-955-4159	B	CAPACITOR, FIXED, CERAMIC DIELECTRIC disc; insulated; 0.1uF, +50% -25%; 30V dc wkg	Erie Resistor 811/T/30V (26383-031S)	2
41	C1	5910-99-001-2951	B	CAPACITOR, FIXED, PLASTICS DIELECTRIC metallised; plastics case; 0.022uF, + 10%; 400V dc wkg	Plessey PMX42 (26582-234T)	1

6625-99-645-5712 PANEL, ELECTRONIC CIRCUIT

Fig. Item	Cct Ref	NATO Stock No./ Catalogue No.	Indent	Item Name and Description	Maker's Part No./ Drawing No.	No. off
1-42	C10 C12 C22 C23	5910-99-625-2796	B	CAPACITOR, FIXED, ELECTROLYTIC aluminium electrode; processed foil; metal case; insulated; 47uF, +100 -20%; 10V dc wkg	R.S.R.E. SD/B225698/ 3 (26415- 809E)	4
43	C2	5910-99-628-5003	B	CAPACITOR, FIXED, CERAMIC DIELECTRIC insulated; 0.047uF, +50 -25%; 30V dc wkg	M26383- 303PT 26383-018	1
44	C11 C14	5910-99-628-4203	B	CAPACITOR, FIXED, ELECTROLYTIC tantalum electrode; sintered; metal case; 4.7uF, + 20%; 35V dc wkg	M26486- 203PT 26486-219	2
45	C15	5910-99-633-9074	B	CAPACITOR, FIXED, ELECTROLYTIC aluminium electrode; processed foil; metal case; insulated; 220uF, +100 -20%; 25V dc wkg	M26410- 580PT 26415-818F	1
46	D1	5961-99-118-6036	B	SEMICONDUCTOR DEVICE, DIODE reference diode	M28371- 203PT 28371-434Y	1
47	D2	5961-99-118-3466	B	SEMICONDUCTOR DEVICE, DIODE	M28336-676	1
48	D4	5961-99-118-2982	B	SEMICONDUCTOR DEVICE, DIODE	Texas Instruments 1N4004 (28357- 028K)	1
49	D5 D6	5961-99-118-8374	B	SEMICONDUCTOR DEVICE, DIODE	M28349- 007NSA PT28349- 007E	2
50	D7 to D10	5961-99-037-5033	B	SEMICONDUCTOR DEVICE, DIODE	Hughes Inter- national UK HG1005 (28323- 035N)	4

6625-99-645-5712 PANEL, ELECTRONIC CIRCUIT

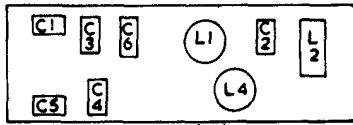
Fig. Item	Cct Ref	NATO Stock No./ Catalogue No.	Indent	Item Name and Description	Maker's Part No./ Drawing No.	No. off
1-51	TR1 TR2 TR5	5961-99-118-4737	B	TRANSISTOR	M28435- 235PT 28435-235	3
52	TR3	5961-99-118-5367	B	TRANSISTOR	M28452- 197PT 28452-197H	1
53	TR4	5961-99-118-4687	B	TRANSISTOR	M28452- 787PT 28452-787N	1
54		5961-99-631-0526	B	MOUNTING PAD, ELECTRICAL- ELECTRONIC COMPONENT nylon; 0.300in.od, 0.180in. thk	28488-115L	5
55	IC1	5962-99-118-6044	B	INTEGRATED CIRCUIT	28461-901A	1
56	IC2	5962-99-118-6042	B	INTEGRATED CIRCUIT, OPERATIONAL AMPLIFIER	M28461- 312PT 28461-312R	1
+ 57		5962-99-118-8340	B	DUEL-IN-LINE I.C. SOCKET plastic body; phosphor bronze terminal; 14 pole; rect; 6.35mm by 12.40mm by 23mm approx o/a dim.	M28480- 804NSA PT28488- 048G	1

+ Not Illustrated

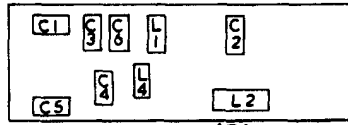
Chapter 2-2-7

PARTS LIST

R.F. TUNED FILTER MODULE
44990-017M



BOARD 'A'



BOARD 'B'

CIRCUIT REF	ITEM No.
C1	19
C2	21
C3	17
C4	18
C5	21
C6	20
L1	15
L2	14
L4	16

CIRCUIT REF	ITEM No.
C1	10
C2	9
C3	8
C4	10
C5	11
C6	8
L1	7
L2	5
L4	6

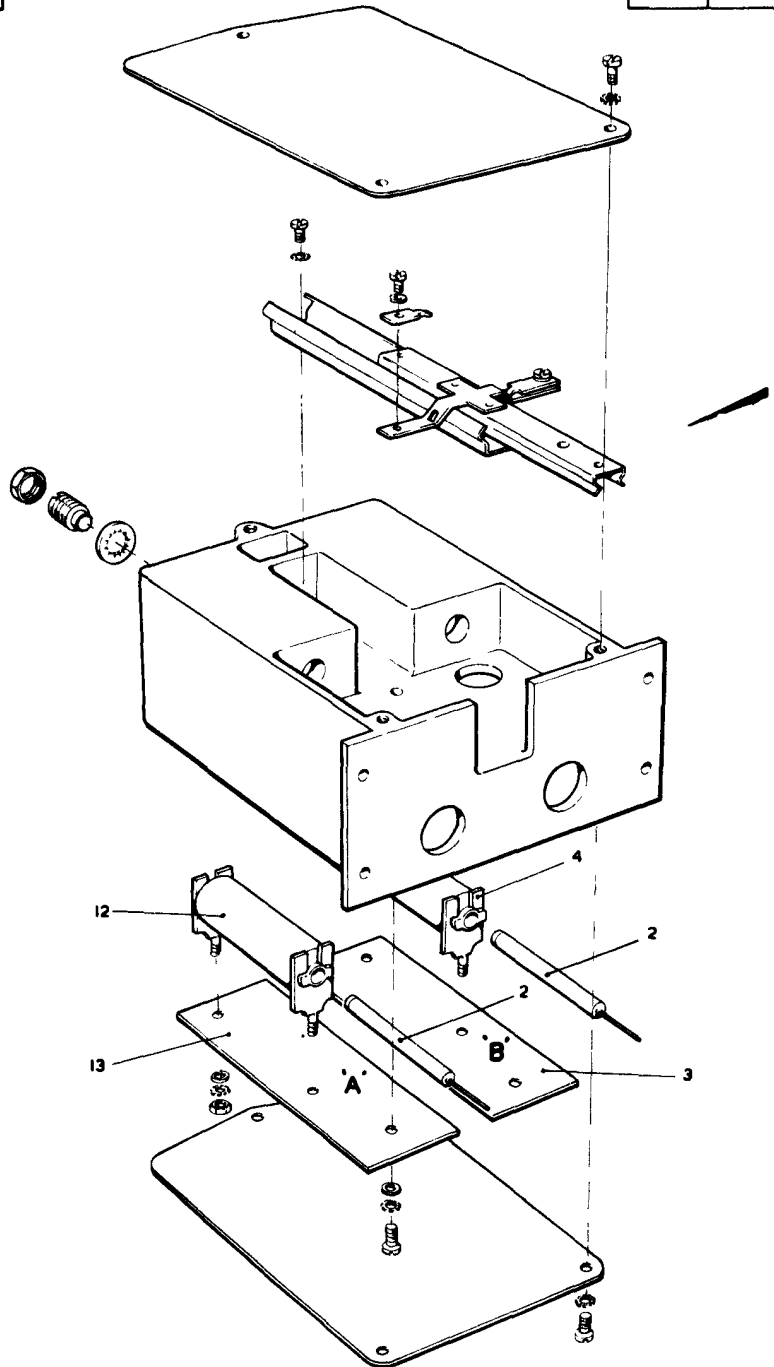


FIG. 1. R.F. TUNED FILTER MODULE

Chapter 2-2-7

PARTS LIST

R.F. TUNED FILTER MODULE 44990-017M

Fig. Item	Cct Ref.	NATO Stock No./ Catalogue No.	Indent	Item Name and Description	Maker's Part No./ Drawing No.	No. off
1-1		- - -	A	R.F.TUNED FILTER MODULE	44990-017M	1RF
2		5950-99-695-6946	B	CORE,ADJUSTABLE TUNING carlona p.polypropylene; 7/32in.dia, length unstated	31556-514N	2
3		6625-99-645-5687	B	PANEL,ELECTRONIC CIRCUIT board; 31mm by 94mm (approx dim.); 9 components	44811-334M	1
4	L3	5950-99-956-1708	C	INDUCTOR,RADIO FREQUENCY 154 turns; unscreened; 2-3/16in.lg, 5/8in.w, 1-1/8in.h approx o/a dim.	TM7664/5	1
5	L2	5950-99-645-5688	C	INDUCTOR,RADIO FREQUENCY not rated for number of turns; unscreened; 7.9Hz	44257-211H	1
6	L4	5950-99-636-4227	C	CHOKE,RADIO FREQUENCY 330uH, 5/16in.dia, 3/8in. lg	Cambion 3635-31 (23642- 331C)	1
7	L1	5950-99-645-7848	C	INDUCTOR,RADIO FREQUENCY not rated for number of turns; unscreened; 5/16in. dia, 3/8in.lg; 680uH	M23642- 313NSA PT23642- 335A	1
8	C3 C6	5910-99-628-4240	C	CAPACITOR,FIXED,PLASTICS DIELECTRIC foil; plastics case; 330pF, \pm 2%; 125V dc wkg OR	M26516- 003PT 26516-369E	2
8 (1)	C6	5910-99-109-3352	C	CAPACITOR,FIXED,PLASTICS DIELECTRIC foil; plastics case; 220pF, \pm 2%; 125V dc wkg OR	M1P43103	1
8 (2)	C6	5910-99-628-4240	C	CAPACITOR,FIXED,PLASTICS DIELECTRIC foil; plastics case; 330pF \pm 2%; 125V dc wkg OR	M26516- 003PT 26516-369E	1

R.F. TUNED FILTER MODULE 44990-017M

Fig. Item	Cct Ref	NATO Stock No./ Catalogue No.	Indent	Item Name and Description	Maker's Part No./ Drawing No.	No. off
1-8 (3)	C6	5910-99-913-6618	C	CAPACITOR, FIXED, PLASTICS DIELECTRIC foil; tubular plastics case; 390pF, \pm 2%; 125V dc wkg	Salford Electrical Industries PF (26516-387T)	1
				OR		
8 (4)	C6	5910-99-115-3767	C	CAPACITOR, FIXED, PLASTICS DIELECTRIC foil; plastics case; 470pF, \pm 2%; 125V dc wkg	M26516-003PT 26516-406	1
9	C2	5910-99-636-4252	C	CAPACITOR, FIXED, PLASTICS DIELECTRIC metallised; 0.047uF, \pm 2%; 125V dc wkg	Salford Electrical Industries PF (26516-646E)	1
10	C1 C4	5910-99-619-0783	C	CAPACITOR, FIXED, PLASTICS DIELECTRIC metallised; plastics case; 0.01uF, \pm 10%	26582-232	2
11	C5	5910-99-001-2951	C	CAPACITOR, FIXED, PLASTICS DIELECTRIC metallised; plastics case, 0.022uF, \pm 10%; 400V dc wkg	Plessey PMX42 (26582-234T)	1
12	L3	5950-99-956-1705	C	INDUCTOR, RADIO FREQUENCY 275 turns; unscreened; 2-3/16in. lg, 5/8in. w, 1-1/8in. h approx o/a dim.	TM7664/2	1
13		6625-99-645-5684	B	PANEL, ELECTRONIC CIRCUIT board; 31mm by 94mm (approx dim.)	44811-332P	1
14	L2	5950-99-956-1718	C	INDUCTOR, RADIO FREQUENCY	TM7722/5	1
15	L1	5950-99-645-5685	C	INDUCTOR, AUDIO FREQUENCY 10mH, not rated for current, 22mm dia, 18mm lg, o/a dia approx	44265-212L	1
16	L4	5950-99-645-5686	C	INDUCTOR, AUDIO FREQUENCY 3.3mH; not rated for current; 22mm dia, 18mm lg, o/a dim. approx	44265-402C	1

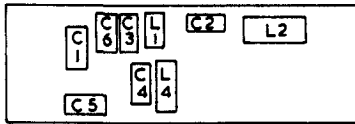
R.F. TUNED FILTER MODULE 44990-017M

Fig. Item	Cct Ref	NATO Stock No./ Catalogue No.	Indent	Item Name and Description	Maker's Part No./ Drawing No.	No. off
1-17	C3	5910-99-636-4251	C	CAPACITOR, FIXED, METALLIZED, PAPER-PLASTICS DIELECTRIC 3 section; plastics case; 0.015uF, \pm 10%; 250V dc wkg	Mullard 34441153 (26582-203P)	1
18	C4	5910-99-645-6945	C	CAPACITOR, FIXED, PLASTICS DIELECTRIC 1 section, metal case; insulated; 0.1uF, 250V dc wkg	M26582-205 PT26582-208B	1
19	C1	5910-99-645-7847	C	CAPACITOR, FIXED, PLASTICS DIELECTRIC 1 section; plastics; 0.150uF, \pm 10%; 100V dc wkg, 63V dc wkg	M26580-221 PT26582-212K	1
20	C6	5910-99-636-4252	C	CAPACITOR, FIXED, PLASTICS DIELECTRIC metallised; 0.047uH, \pm 2%; 125V dc wkg	Salford Electrical Instruments PF (26516-646E)	1
				OR		
20 (1)	C6	5910-99-636-4206	C	CAPACITOR, FIXED, PLASTICS DIELECTRIC metallised; 0.0033uF, \pm 2%; 125V dc wkg	Salford Electrical Instruments PF3300 (26516-609Z)	1
				OR		
20 (2)	C6	5910-99-645-9274	C	CAPACITOR, FIXED, METALLIZED, PAPER-PLASTICS DIELECTRIC 1 section; 0.0055uF, \pm 2%; 160V dc wkg	M26516-003PT 26516-066X	1
				OR		
20 (3)	C6	5910-99-636-4253	C	CAPACITOR, FIXED, PLASTICS DIELECTRIC metallised; 0.0065uF; \pm 2%; 125V dc wkg	Salford Electrical Instruments PF (26516-679U)	1
21	C2 C5	5910-99-636-4250	C	CAPACITOR, <i>fixed plastic dielectric 0.22uF \pm 10% 63V</i>	26582-406	2

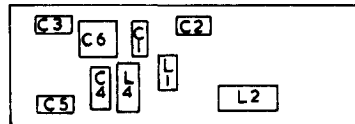
Chapter 2-2-8

PARTS LIST

**R.F. TUNED FILTER MODULE
44990-019R**



BOARD A



BOARD B

CIRCUIT REF.	ITEM No.
C1	10
C2	9
C3	8
C4	10
C5	11
C6	12
L1	13
L2	6
L4	7

CIRCUIT REF.	ITEM No.
C1	18
C2	19
C3	17
C4	18
C5	20
C6	21
L1	22
L2	15
L4	16

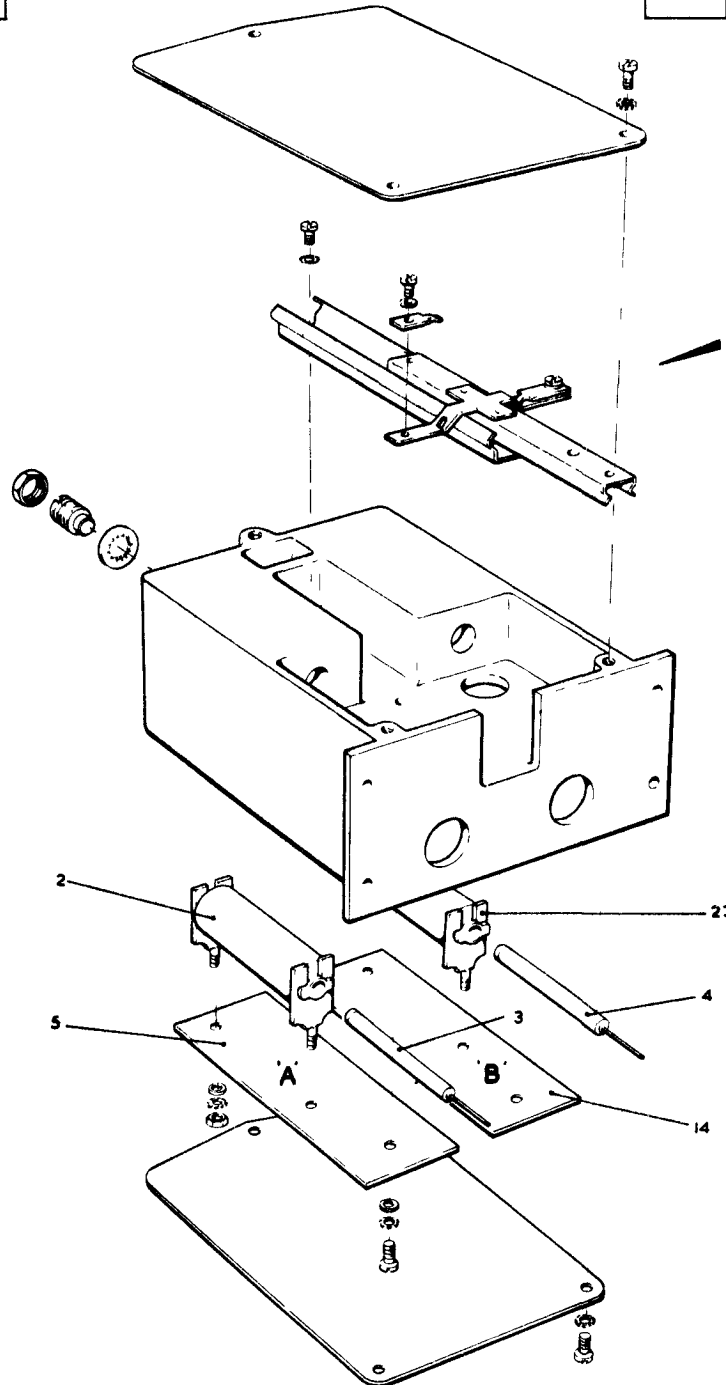


FIG. 1. R.F. TUNED FILTER MODULE

Chapter 2-2-8

PARTS LIST

R.F. TUNED FILTER MODULE 44990-019R

Fig. Item	Cct Ref.	NATO Stock No./ Catalogue No.	Indent	Item Name and Description	Maker's Part No./ Drawing No.	No. off
1-1		- - -	A	R.F. TUNED FILTER MODULE	44990-019R	1RF
2	L3	5950-99-956-1710	B	INDUCTOR,RADIO FREQUENCY	TM7664/8	1
3		5950-99-645-6946	B	CORE,ADJUSTABLE TUNING carlona p.polypropylene; 7/32in.dia, length unstated	31556-514N	1
4		5950-99-645-6948	B	CORE,ADJUSTABLE TUNING carlona p.polypropylene; 7/32in.dia, length unstated	31556-528X	1
5		6625-99-645-5693	B	PANEL,ELECTRONIC CIRCUIT board; 30mm by 94mm (approx dim.); 9 components	44811-336R	1
6	L2	5950-99-645-5694	C	INDUCTOR,RADIO FREQUENCY not rated for number of turns; unscreened; inductance not rated	44233-014W	1
7	L4	5950-99-636-4228	C	CHOKE,RADIO FREQUENCY 33.0uH, \pm 10%; 5/16in.dia, 3/8in.lg	Cambion 3640-57-2 (23642- 490S)	1
8	C3	5910-99-628-4201	C	CAPACITOR,FIXED,PLASTICS DIELECTRIC foil; plastics case; 56pF, \pm 2%; (3.57%);160V dc wkg	M26516- 003PT 26516-181W	1
9	C2	5910-99-645-9277	C	CAPACITOR,FIXED,METALLIZED, PAPER-PLASTICS DIELECTRIC 1 section; 51OpF, \pm 2%; 160V dc wkg	M26516- 003PT 26516-416F	1
10	C1 C4	5910-99-628-4199	C	CAPACITOR,FIXED,PLASTICS DIELECTRIC foil; plastics case; 0.001uF, \pm 2%; 125V dc wkg	M26516- 003PT 26516-418L	2
11	C5	5910-99-630-3400	C	CAPACITOR,FIXED,PLASTICS DIELECTRIC metallised; tub. plastics case; 0.0022uF, \pm 2%; 125V dc	M26516- 003PT 26516-564X	1

R.F. TUNED FILTER MODULE 44990-019R

Fig-Item	Cct Ref	NATO Stock No./ Catalogue No.	Indent	Item Name and Description	Maker's Part No./ Drawing No.	No. off
1-12	C6	5910-99-945-1534	C	CAPACITOR, FIXED, PLASTICS DIELECTRIC foil; tub. plastics case; 22pF \pm 2pF; 125V dc wkg	Salford Electrical Instruments PF (26516-088K)	1
				OR		
12 (1)	C6	5910-99-631-6465	C	CAPACITOR, FIXED, PLASTICS DIELECTRIC foil electrode; 15pF, \pm 1.5pF; 125V dc	M26516-003PT 26516-018C	1
				OR		
12 (2)	C6	5910-99-625-7155	C	CAPACITOR, FIXED, PLASTICS DIELECTRIC foil; plastics case; 10pF (11.666%); 125V dc wkg	M26516-003PT 26516-028E	1
				OR		
12 (3)	C6	5910-99-580-7199	C	CAPACITOR, FIXED, PLASTICS DIELECTRIC foil; plastics case; 27pF \pm 2pF, 125V dc at 70 deg C wkg; 750V rms at 70 deg C wkg	Salford Electrical Instruments PF27 (26516-108G)	1
				OR		
12 (4)	C6	5910-99-945-1535	C	CAPACITOR, FIXED, PLASTICS DIELECTRIC foil; plastics case; 33pF, \pm 6.1%; 125V dc wkg	Salford Electrical Instruments PF33AAG (26516-127A)	1
13	L1	5950-99-645-7849	C	INDUCTOR, RADIO FREQUENCY not rated for number of turns; unscreened; 3.60mm dia, 9.50mm lg; 10uH	M23640-254 PT23642-555G	1
14		6625-99-645-5695	B	PANEL, ELECTRONIC CIRCUIT board; 30mm by 94mm (approx dim.); 9 components	44811-338K	1
15	L2	5950-99-198-1433	C	INDUCTOR, RADIO FREQUENCY 18 turns; screened; 59/64 in. by 17/32in. by 17/32in. o/a dim.	TM7156/5	1

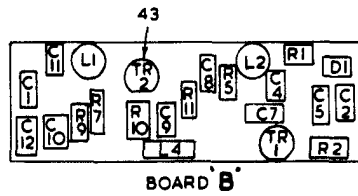
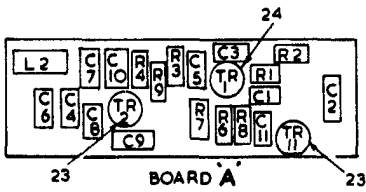
R.F. TUNED FILTER MODULE 44990-019R

Fig. Item	Cct Ref	NATO Stock No./ Catalogue No.	Indent	Item Name and Description	Maker's Part No./ Drawing No.	No. off
1-16	I4	5999-99-112-7302	C	CHOKE, RADIO FREQUENCY 7.9Mc; 0.156in. dia, 0.375 in. lg	Cambion 3640-33-2 (23642- 485G)	1
17	C3	5910-99-945-1531	C	CAPACITOR, FIXED, PLASTICS DIELECTRIC foil; tubular plastics case; 10pF, \pm 10%; 125V dc wkg	Salford Electrical Instruments PF (26516- 009W)	1
18	C1 C4	5910-99-913-6616	C	CAPACITOR, FIXED, PLASTICS DIELECTRIC foil; tub. plastics case; 100pF, \pm 2%; 125V dc wkg	Salford Electrical Industries PF (26516- 241N)	2
19	C2	5910-99-628-7209	C	CAPACITOR, FIXED, PLASTICS DIELECTRIC foil; plastics case; 180pF, \pm 2%; 125V dc wkg	M26516- 003PT 26516-303Z	1
20	C5	5910-99-109-3352	C	CAPACITOR, FIXED, PLASTICS DIELECTRIC foil; tub. plastics case; 220pF, \pm 2%; 125V dc wkg	MIP43103	1
21	C6	5910-99-951-6737	C	CAPACITOR, VARIABLE, AIR DIELECTRIC plate meshing; 13.4pF max	Oxley SMT9/109 (26817- 238D)	1
22	L1	5950-99-632-3520	C	INDUCTANCE 100uH	26342-325P	1
23	L3	5950-99-107-3062	C	INDUCTOR, RADIO FREQUENCY screened; 5/8in. by 7/8in. x 2-1/2in. approx o/a dim.; not rated for inductance	TM7761/1	1

Chapter 2-2-9

PARTS LIST

R.F. OSCILLATOR MODULE ASSEMBLY
44990-024K



CIRCUIT REF	ITEM No	CIRCUIT REF	ITEM No
C1	18	R1	9
C2	16	R2	6
C3	12	R3	10
C4	13	R4	8
C5	19	R6	10
C6	11	R8	7
C7	15	R9	10
C8	15		
C9	17	TR1	21
C10	14	TR2	22
C11	20	TR3	22
L2	5		

CIRCUIT REF	ITEM No	CIRCUIT REF	ITEM No
C1	40	R1	32
C2	37	R2	28
C5	36	R3	
C7	35	R4	33
C8	39	R5	
TO		R7	34
C11	38	R9	29
C12		R10	31
D1	41	R11	30
L1	26	TR1	42
L2	26	TR2	42
L4	27		

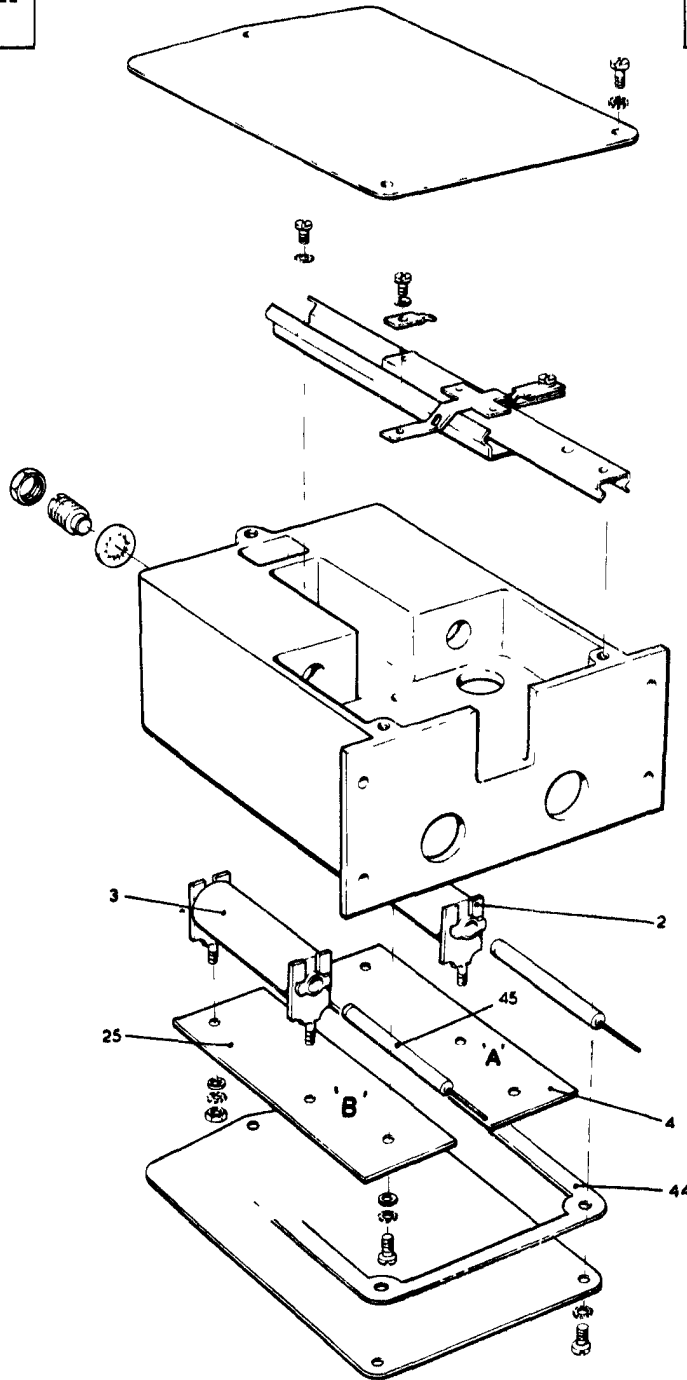


FIG. 1. R.F. OSCILLATOR MODULE ASSEMBLY

CHAPTER 2-2-9

PARTS LIST

R.F. OSCILLATOR MODULE ASSEMBLY 44990-024K

Fig.- Item	Cct Ref.	NATO Stock No./ Catalogue No.	Indent	Item Name and Description	Maker's Part No./ Drawing No.	No. off
1-1		- - -	A	R.F.OSCILLATOR MODULE ASSEMBLY	44990-024K	1RF
2	L1	5950-99-956-1711	B	INDUCTOR,RADIO FREQUENCY	TM7664/9	1
3	L3	5950-99-645-9284	B	COIL ASSEMBLY assy of coil and 3 capacitors; rect; 5mm lg, 30mm w, 15mm h approx. o/a dim.	44190-002C	1
4		6625-99-645-5704	B	PANEL,ELECTRONIC CIRCUIT board; 30mm by 94mm (approx. dim.); 23 components	44821-279J	1
5	L2	5950-99-198-1433	C	INDUCTOR,RADIO FREQUENCY 18 turns; screened; 59/64 in. by 17/32 in. by 17/32 in. o/a dim.	TM7156/5	1
6	R2	5905-99-013-6199	C	RESISTOR,FIXED,FILM 27 ohms; $\pm 1\%$; $\frac{1}{4}$ W	Electrosil TR4 Welwyn MR4 ITT/Erie MO4	1
7	R8	5905-99-013-6233	C	RESISTOR,FIXED,FILM 680 ohms, $\pm 2\%$; $\frac{1}{4}$ W	Electrosil TR4 Welwyn MR4 ITT/Erie MO4	1
8	R4	5905-99-013-6257	C	RESISTOR,FIXED,FILM 6.8K ohms, $\pm 1\%$; $\frac{1}{4}$ W	Electrosil TR4 Welwyn MR4 ITT/Erie MO4	1
9	R1	5905-99-013-6261	C	RESISTOR,FIXED,FILM 10K ohms, $\pm 1\%$; $\frac{1}{4}$ W	Electrosil TR4 Welwyn MR4 ITT/Erie MO4	1
10	R3 R6 R9	5905-99-013-6285	C	RESISTOR,FIXED,FILM 100K ohms, $\pm 1\%$; $\frac{1}{4}$ W	Electrosil TR4 Welwyn MR4 ITT/Erie MO4	3

R.F. OSCILLATOR MODULE ASSEMBLY 44990-024K

Fig-Item	Cct Ref.	NATO Stock No./ Catalogue No.	Indnt	Item Name and Description	Maker's Part No./ Drawing No.	No. off
1-11	C6	5910-99-114-2982	C	CAPACITOR, FIXED, CERAMIC DIELECTRIC 1 section; plastics case; 10pF, ± 0.25 pF; 750V dc wkg	Erie XD (26324-709S)	1
11 (1)	C6	5910-99-947-3305	C	CAPACITOR, FIXED, CERAMIC DIELECTRIC 47pF, $\pm 2\%$; 750V	26324-833H	1
11 (2)	C6	5910-99-619-0782	C	CAPACITOR, FIXED, CERAMIC DIELECTRIC non-insulated; 68pF, $\pm 2\%$; 750V dc wkg	26324-868Y	1
11 (3)	C6	5910-99-119-5637	C	CAPACITOR, FIXED, CERAMIC DIELECTRIC uninsulated; 100pF; $\pm 2\%$; 750V dc wkg	Erie N750BD (26324-897H)	1
12	C3	5910-99-619-4940	C	CAPACITOR, FIXED, MICA DIELECTRIC 1 section; 15pF, $\pm 1\%$; 350V dc wkg	Matthey C14F (26272-020F)	1
13	C4	5910-99-944-4795	C	CAPACITOR, FIXED, CERAMIC DIELECTRIC 15pF, $\pm 5\%$; 750V dc wkg	Erie N750AD (26324-795H)	1
14	C10	5910-99-636-4212	C	CAPACITOR, FIXED, MICA DIELECTRIC 1 section; 33pF, ± 1 pF; 350V dc wkg	Matthey C14F (26272-391L)	1
15	C7 C8	5910-99-193-7629	C	CAPACITOR, FIXED, MICA DIELECTRIC metallised; rect plastics case; 560pF, $\pm 2\%$; 350V dc wkg	Johnson Matthey C14F (26272-107A)	2
16	C2	5910-99-628-4199	C	CAPACITOR, FIXED, PLASTICS DIELECTRIC foil; plastics case; 0.001 μ F, $\pm 2\%$; 125V dc wkg	M26516-003PT 26516-481L	1
17	C9	5910-99-636-4206	C	CAPACITOR, FIXED, PLASTICS DIELECTRIC metallised; 0.0033 μ F, $\pm 2\%$; 125V dc wkg	Salford PF3300 (26516-609Z)	1

R.F. OSCILLATOR MODULE ASSEMBLY 44990-024K

Fig-Item	Cct Ref.	NATO Stock No./ Catalogue No.	Indent	Item Name and Description	Maker's Part No./ Drawing No.	No. off
1-18	C1	5910-99-645-6947	C	CAPACITOR, FIXED, PLASTICS DIELECTRIC 1 section metal case; insulated; 0.047 μ F, 250V dc wkg	M26582- 205PT 26582-206C	1
19	C5	5910-99-955-4159	C	CAPACITOR, FIXED, CERAMIC DIELECTRIC disc, insulated; 0.1 μ F, +50% -25%; 30V dc wkg	Erie 811/T/30V (26383-031S)	1
20	C11	5910-99-971-8508	C	CAPACITOR, FIXED, CERAMIC DIELECTRIC disc, insulated; 0.01 μ F, +80% -20%; 100V dc wkg	Erie 801K800011 (26383-055L)	1
21	TR1	5961-99-118-5367	C	TRANSISTOR	M28452- 197PT 28452-197H	1
22	TR2 TR3	5961-99-118-8372	C	TRANSISTOR	M28459- 024PT 28459-024K	2
23		5999-99-645-7841	C	MOUNTING PAD, ELECTRICAL- ELECTRONIC COMPONENT nylon; 0.280in. dia, 0.150in. lg	M28488- 108E PT 28488-108E	2
24		5961-99-631-0526	C	MOUNTING PAD, ELECTRICAL- ELECTRONIC COMPONENT nylon; 0.300in. od, 0.180in. thk	28488-115L	1
25		5999-99-645-9285	B	PANEL, ELECTRONIC CIRCUIT board; 95mm lg, 30mm w, o/a dim. approx, 25 components	44823-314H	1
26	L1 L2	5950-99-632-3520	C	INDUCTANCE 100 μ H	26342-325P	2
27	L4	5950-99-710-8043	C	INDUCTOR, RADIO FREQUENCY	Painton 58-10-0005- 10 (23642-549L)	1
28	R2	5905-99-013-6189	C	RESISTOR, FIXED, FILM 10 ohms; \pm 1%; $\frac{1}{4}$ W	Electrosil TR4 Welwyn MR4 ITT/Erie MO4	1

R.F. OSCILLATOR MODULE ASSEMBLY 44990-024K

Fig.- Item	Cct Ref.	NATO Stock No./ Catalogue No.	Indent	Item Name and Description	Maker's Part No./ Drawing No.	No. off
1-29	R9	5905-99-013-6197	C	RESISTOR, FIXED, FILM 22 ohms; $\pm 1\%$; $\frac{1}{4}W$	Electrosil TR4 Welwyn MR4 ITT/Erie MO4	1
30	R11	5905-99-013-6213	C	RESISTOR, FIXED, FILM 100 ohms, $\pm 1\%$; $\frac{1}{4}W$	Electrosil TR4 Welwyn MR4 ITT/Erie MO4	1
31	R10	5905-99-013-6233	C	RESISTOR, FIXED, FILM 680 ohms, $\pm 1\%$; $\frac{1}{4}W$	Electrosil TR4 Welwyn MR4 ITT/Erie MO4	1
32	R1	5905-99-013-6253	C	RESISTOR, FIXED, FILM 4.7K ohms, $\pm 1\%$; $\frac{1}{4}W$	Electrosil TR4 Welwyn MR4 ITT/Erie MO4	1
33	R3 R4 R5	5905-99-013-6285	C	RESISTOR, FIXED, FILM 100K ohms, $\pm 1\%$; $\frac{1}{4}W$	Electrosil TR4 Welwyn MR4 ITT/Erie MO4	3
34	R7	5905-99-628-4648	C	RESISTOR, FIXED, FILM insulated; 150K ohms, $\pm 2\%$; $\frac{1}{2}W$	M24500- 018PT 24573-125Z	1
35	C7	5910-99-645-7851	C	CAPACITOR, FIXED, CERAMIC DIELECTRIC 1 section; 1pF, $\pm 0.25pF$, 750V dc, 500V ac OR	M26324- 005PT 26324-005K	1
35 (1)	C7	5910-99-645-7852	C	CAPACITOR, FIXED, CERAMIC DIELECTRIC 1 section; 2.2pF, $\pm 0.25pF$ 750V dc, 500V ac OR	M26324- 005PT 26324-011H	1
35 (2)	C7	5910-99-645-7853	C	CAPACITOR, FIXED, CERAMIC DIELECTRIC 1 section; 3.3pF, $\pm 0.25pF$, 750V dc, 500V ac	M26324- 005PT 26324-014Y	1
36	C5	5910-99-193-7613	C	CAPACITOR, FIXED, MICA DIELECTRIC metallised; rect plastics case; 22pF $\pm 1pF$, 350V ac	Johnson Matthey C14F (26272-036K)	1

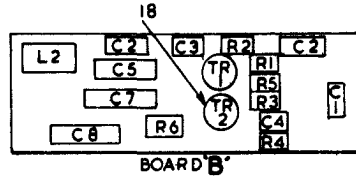
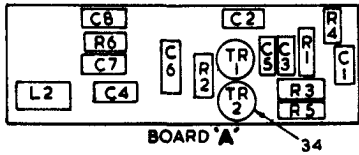
R.F. OSCILLATOR MODULE ASSEMBLY 44990-024K

Fig. Item	Cct Ref	NATO Stock No./ Catalogue No.	Indent	Item Name and Description	Maker's Part No./ Drawing No.	No. off
1-37	C2	5910-99-645-9286	C	CAPACITOR, FIXED, MICA DIELECTRIC 1 section; plastics case, 27pF, \pm 1pF; 350V dc wkg	M26272-001PT 26272-044U	1
38	C12	5910-99-628-4202	C	CAPACITOR, FIXED, CERAMIC DIELECTRIC insulated; 68pF, \pm 20%; 500V dc wkg	M26340-316PT 26343-163N	1
39	C8 to C11	5910-99-900-4599	C	CAPACITOR, FIXED, CERAMIC DIELECTRIC disc; 0.001uF, +80 -20%; 500V dc wkg	Erie K350081/831 (26383-242P)	4
40	C1	5910-99-645-9281	C	CAPACITOR, FIXED, METALLIZED, PAPER-PLASTICS DIELECTRIC 1 section; 0.0015uF, \pm 2%; 160V dc wkg	M26516-003PT 26516-524S	1
41	D1	5961-99-638-7658	C	SEMICONDUCTOR DEVICE, DIODE	Secosem BA111 (28381-201F)	1
42	TR1 TR2	5961-99-118-8372	C	TRANSISTOR	M28459-024PT 28459-024K	2
43		5999-99-645-7841	C	MOUNTING PAD, ELECTRICAL-ELECTRONIC COMPONENT nylon; 0.280in. dia, 0.150in. lg	M28488-108E PT- 28488-108E	1
44		5330-99-647-1179	B	GASKET	31519-019Z	1
45		5950-99-001-1710	B	TUNING SLUG	TM7666/2	1

Chapter 2-2-10

PARTS LIST

R.F. OSCILLATOR MODULE
44990-022R



CIRCUIT REF.	ITEM No	CIRCUIT REF.	ITEM No
C1	31	R1	21
C2	29	R2	25
C3	32	R3	22
C4	31	R4	24
C5	26	R5	23
C6	30	R6	23
C7	27	TR1	33
C8	28	TR2	33
L2	20		

CIRCUIT REF.	ITEM No	CIRCUIT REF.	ITEM No.
C1	11	R1	10
C2	13	R2	9
C3	15	R3	6
C4	11	R4	8
C5	16	R5	6
C6	12	R6	7
C7	14	TR1	17
C8	14	TR2	17
L2	5		

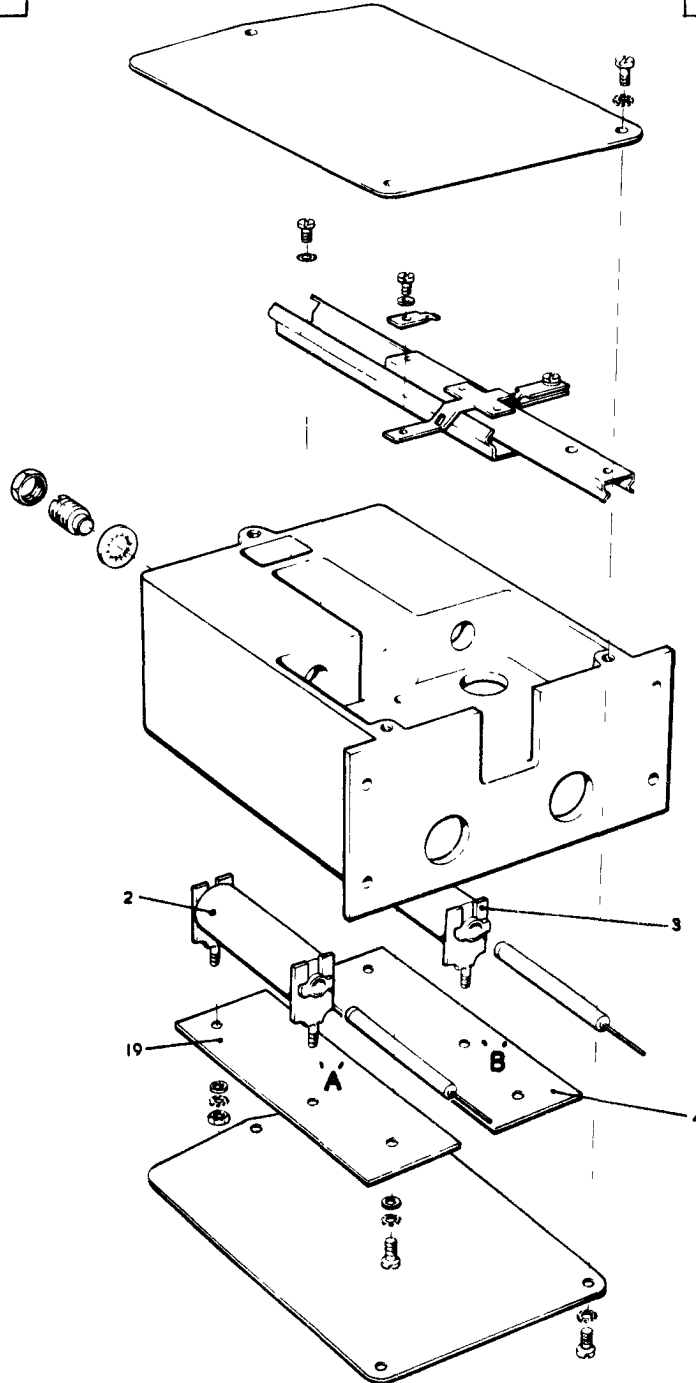


FIG. I. R.F. OSCILLATOR MODULE

Chapter 2-2-10

PARTS LIST

R.F. OSCILLATOR MODULE 44990-022R

Fig. Item	Cat Ref.	NATO Stock No./ Catalogue No.	Inch	Item Name and Description	Maker's Part No./ Drawing No.	No. off
1-1		- - -	A	R.F. OSCILLATOR MODULE	44990-022R	1RF
2	L1	5950-99-956-1709	B	INDUCTOR, RADIO FREQUENCY 90 turns; unscreened; 2-3/16in.lg, 5/8in.w, 1-1/8in.h, approx o/a dim.	TM7664/6	1
3		5950-99-956-1705	B	INDUCTOR, RADIO FREQUENCY 275 turns; unscreened; 2-3/16in.lg, 5/8in.w, 1-1/8in.h, approx o/a dim.	TM7664/2	1
4		6625-99-645-5701	B	PANEL, ELECTRONIC CIRCUIT board; 30mm x 94mm (approx dim), 17 components	44821-282J	1
5	L2	5950-99-956-1718	C	INDUCTOR, RADIO FREQUENCY	TM7722/5 (44264-205P)	1
6	R3 R5	5905-99-624-6792	C	RESISTOR, FIXED, FILM insulated; 1k ohm \pm 2%; 1/4W	M24770- 321PT 24773-273	2
7	R6	5905-99-635-3060	C	RESISTOR, FIXED, FILM insulated; 1.5k ohms \pm 2%; 1/4W	M24770- 321PT 24773-277U	1
8	R4	5905-99-624-6791	C	RESISTOR, FIXED, FILM insulated; 3.3k ohms, \pm 2%; 1/4W	M24770- 321PT 24773-285	1
9	R2	5905-99-628-4628	C	RESISTOR, FIXED, FILM insulated; 6.8k ohms, \pm 2%; 1/4W	M24770- 321PT 24773-293	1
10	R1	5905-99-624-6784	C	RESISTOR, FIXED, FILM insulated; 22k ohms, \pm 2%; 1/4W	M24770- 321PT 24773-305	1
11	C1 C4	5910-99-955-4159	C	CAPACITOR, FIXED, CERAMIC DIELECTRIC disc; insulated; 0.1uF, +50% -25%; 30V dc wkg	Erie Resistor 811/T/30V (26383- 031S)	2

R.F. OSCILLATOR MODULE 44990-022R

Fig. Item	Cct Ref	NATO Stock No./ Catalogue No.	Incident	Item Name and Description	Maker's Part No./ Drawing No.	No. off
1-12	C6	5910-99-117-2480	C	CAPACITOR, FIXED, PLASTICS DIELECTRIC foil; tub. plastics case; 0.01uF, \pm 5%; 400V dc wkg	SD/B201018/ 24 (26511- 316L)	1
13	C2	5910-99-626-1092	C	CAPACITOR, FIXED, ELECTROLYTIC aluminium electrode; plain foil, metal case, insulated 4.7uF, +100 -20%; 63V dc wkg	580PT26415- 801 (26415-801M)	1
14	C7 C8	5910-99-523-4957	C	CAPACITOR, FIXED, PLASTICS DIELECTRIC	Waycom WIMA TROPYFOL M (26511- 367R)	2
15	C3	5910-99-580-7199	C	CAPACITOR, FIXED, PLASTICS DIELECTRIC foil; plastic; 27pF \pm 2pF, 125V dc at 70 deg C wkg, 750V rms at 70 deg C wkg	Salford Elect.Inst. PF (26516-108G)	1
16	C5	5910-99-630-3400	C	CAPACITOR, FIXED, PLASTICS DIELECTRIC metallised; tub. plastics case, 0.0022uF, \pm 2%; 125V dc	M26516- 003PT 26516-564X	1
				OR		
16 (1)	C5	5910-99-636-4206	C	CAPACITOR, FIXED, PLASTICS DIELECTRIC metallised; 0.0033uF, \pm 2%; 125V dc wkg	Salford Elect.Inst. PF3300 (26516- 609Z)	1
				OR		
16 (2)	C5	5910-99-645-9279	C	CAPACITOR, FIXED, METALLIZED, PAPER-PLASTIC DIELECTRIC one section; 0.005uF \pm 22%; 160V dc wkg	M26516-003 26516-652N	1
				OR		
16 (3)	C5	5910-99-645-9280	C	CAPACITOR, FIXED, METALLIZED, PAPER-PLASTICS DIELECTRIC	M26516-003 Pt26516- 691G	1

R.F. OSCILLATOR MODULE 44990-022R

Fig. Item	Cct Ref	NATO Stock No./ Catalogue No.	Indent	Item Name and Description	Maker's Part No./ Drawing No.	No. off
1-17	TR1 TR2	5961-99-118-4687	C	TRANSISTOR	M28452-787 Pt28452-787N	2
18		5961-99-631-0526	C	MOUNTING PAD, ELECTRICAL-ELECTRONIC COMPONENT nylon, 0.300in.od, 0.180in. thk	28488-115L	2
19		6625-99-645-5702	B	PANEL, ELECTRONIC CIRCUIT board; 30mm x 94mm (approx dim.); 17 components	44821-284G	1
20	L2	5950-99-645-5692	C	INDUCTOR, RADIO FREQUENCY not rated for number of turns; unscreened, inductance not rated	44247-010U	1
21	R1	5905-99-628-4604	C	RESISTOR, FIXED, FILM insulated; 470 ohms, $\pm 2\%$; 1/2W	M24500-018 Pt24573-065	1
22	R3	5905-99-630-0966	C	RESISTOR, FIXED, FILM insulated; 1k ohm, $\pm 2\%$; 1/2W at 70 deg C	M24500-018 Pt24573-073W	1
23	R5 R6	5905-99-636-2646	C	RESISTOR, FIXED, FILM	M24500-018 Pt24573-077X	2
24	R4	5905-99-628-4638	C	RESISTOR, FIXED, FILM insulated; 3.3k ohms, $\pm 2\%$; 1/2W	M24500-018 Pt24573-085	1
25	R2	5905-99-628-4594	C	RESISTOR, FIXED, FILM insulated; 4.7k ohms, $\pm 2\%$; 1/2W	M24500-018 Pt24573-089	1
26	C5	5910-99-955-4159	C	CAPACITOR, FIXED, CERAMIC DIELECTRIC disc; insulated; 0.1uF, +50% -25%; 30V dc wkg	Erie 811/T/30V (26383-031S)	1
27	C7	5910-99-117-2480		CAPACITOR, FIXED, PLASTICS DIELECTRIC foil; tub. plastic case; 0.01uF, $\pm 5\%$; 400V dc wkg OR	SD/B201018/ 24 (26511-316L)	1

R.F. OSCILLATOR MODULE 44990-022R

Fig-Item	Cct Ref	NATO Stock No./ Catalogue No.	Incident	Item Name and Description	Maker's Part No./ Drawing No.	No. off
1-28	C8	5910-99-523-4953	C	CAPACITOR, FIXED, PLASTICS DIELECTRIC metallised electrode; tub. plastics case; 0.033uF, + 5%; 160V dc wkg	Waycom WIMA Tropyfol M (26511-330T)	1
29	C2	5910-99-115-2881	C	CAPACITOR, FIXED, PLASTICS DIELECTRIC	M26516-003 Pt26516-201Z	1
30	C6	5910-99-115-3767	C	CAPACITOR, FIXED, PLASTICS DIELECTRIC foil; plastics case; 470pF + 2%; 125V dc wkg	M26516-003 Pt 26516-406	1
30 (1)	C6	5910-99-628-4204	C	OR CAPACITOR, FIXED, PLASTICS DIELECTRIC foil; plastics case; 680pF + 2%; 125V dc wkg	M26516-003 Pt26516-444Y	1
31	C1 C4	5910-99-628-4199	C	CAPACITOR, FIXED, PLASTICS DIELECTRIC foil; plastics case; 0.001uF, + 2%; 125V dc wkg	M26516-003 Pt26516-481L	2
32	C3	5910-99-620-5689	C	CAPACITOR, FIXED, METALLIZED PAPER-PLASTIC DIELECTRIC metallised rect plastics case; 0.033uF, + 10%; 250V dc wkg	Mullard 344-41333 (26582-205M)	1
33	TR1 TR2	5961-99-118-5367	C	TRANSISTOR	M28452-197 Pt28452-197H	2
34		5961-99-631-0526	C	MOUNTING PAD, ELECTRICAL/ELECTRONIC COMPONENT nylon, 0.300in.od, 0.180in.thk	28488-115L	6

Chapter 2-2-11

PARTS LIST

FILTER BOX ASSEMBLY
44990-026Z

Chapter 2-2-11

PARTS LIST

FILTER BOX ASSEMBLY 44990-026Z

Fig. Item	Cct Ref.	NATO Stock No./ Catalogue No.	Indent	Item Name and Description	Maker's Part No./ Drawing No.	No. off
1-1		- - -	A	FILTER BOX ASSEMBLY	44990-026Z	1RF
2	L2 L3 L4 L5	5950-99-956-1185	B	INDUCTOR, AUDIO FREQUENCY 4uH, 3/16in. lg by 5/32in. dia approx body dim.	TM7665/1	4
3	C12 C22	5910-99-223-0722	B	CAPACITOR, FIXED, CERAMIC DIELECTRIC bush mtg; non-insulated; 39pF, - 20%; 500V dc wkg	Erie Electronics N750-361 (26333- 308G)	2
4	C13 C23	5910-99-107-5336	B	CAPACITOR, FIXED, CERAMIC DIELECTRIC feed through; non-insulated 500pF, - 25%; 500dc wkg	Erie Electronics K120051/361 (26373- 609F)	2
5	C4 to C11 C14 to C21 C24 to C27	5910-99-624-6779	B	CAPACITOR, FIXED, CERAMIC DIELECTRIC uninsulated; 0.0047uF, +80 -20%; 500V dc wkg	M26333- 151PT 26373-665	20
6		5325-99-645-9268	B	GROMMET, PLASTIC PVC; 1/8in. dia hole; 3/16 in. od groove; 1/16in. w groove, 5/16in. o/a dia; 1/8in. thk flange	M23187- 112PT 23187-112N	1
7		5325-99-645-9267	B	GROMMET, PLASTIC PVC; 5/16in. dia hole; 3/8in. od groove; 1/16in. w groove; 9/16in. o/a dia, 1/8in. thk flanges	M23187- 112PT 23187-181J	1
* 8		5999-99-636-0220	B	BEADS, SCREENING 4.2mm od by 5.5mm lg	M23635- 833PT 23635-833X	1
9		6625-99-645-5711	B	PANEL, ELECTRONIC CIRCUIT board; 93mm by 108mm (approx dim.); 92 components	44823-326V	1

* Not Illustrated

Issued September 1980

Chap. 2-2-11

Page 3

FILTER BOX ASSEMBLY 44990-026Z

Fig-Item	Cct Ref	NATO Stock No./ Catalogue No.	Indent	Item Name and Description	Maker's Part No./ Drawing No.	No. off
1-10	L1	5905-99-628-8870	C	INDUCTOR,RADIO FREQUENCY 87 turns; unscreened	B44264-210M	1
11	L2	5950-99-628-9880	C	INDUCTOR,RADIO FREQUENCY 168-1/2 turns; unscreened	B44266-217K	1
12	L3	5905-99-628-8871	C	INDUCTOR,RADIO FREQUENCY 5-1/2 turns; unscreened	B44227-019V	1
13	L4 L5 L6 L7	5905-99-631-0507	C	INDUCTOR,RADIO FREQUENCY 470uF	M23640-254 23642-565X	4
14	R14	5905-99-628-9883	C	RESISTOR,FIXED,FILM insulated; 1 ohm, \pm 10%; 1/2W	M24500- 020PT 2458-555Y	1
15	R10	5905-99-628-7211	C	RESISTOR,FIXED,FILM insulated; 10 ohms, \pm 2%; 1/2W	M24500- 018PT 24573-025	1
16	R31	5905-99-628-4614	C	RESISTOR,FIXED,FILM insulated; 47 ohms, \pm 2%; 1/2W	M24500- 018PT 24573-041W	1
17	R5 R8 R9 R15 R16 R29	5905-99-633-1213	C	RESISTOR,FIXED,FILM insulated; 100 ohms, \pm 2%; 1/2W	M24500- 018PT 24573-049B	6
18	R7 R17 R27	5905-99-636-0223	C	RESISTOR,FIXED,FILM insulated; 220 ohms, \pm 2%; 1/2W	M24500- 018PT 24573-057E	3
19	R23	5905-99-626-1981	C	RESISTOR,FIXED,FILM insulated; 180 ohms, \pm 2%; 1/2W	M24500- 018PT 24573-055Z	1
20	R22	5905-99-625-2286	C	RESISTOR,FIXED,FILM insulated; 330 ohms, \pm 2%; 1/2W	M24500- 018PT 24573-061	1
21	R13 R18 R30	5905-99-628-4604	C	RESISTOR,FIXED,FILM insulated; 470 ohms, \pm 2%; 1/2W	M24500- 018PT 24573-065	3

FILTER BOX ASSEMBLY 44990-026Z

Fig. Item	Cct Ref	NATO Stock No./ Catalogue No.	Indent	Item Name and Description	Maker's Part No./ Drawing No.	No. off
1-22	R6 R25	5905-99-628-4653	C	RESISTOR, FIXED, FILM insulated; 560 ohms, $\pm 2\%$; 1/2W	M24500- 018PT 24573-067	2
23	R26	5905-99-628-4602	C	RESISTOR, FIXED, FILM insulated; 680 ohms, $\pm 2\%$; 1/2W	M24500- 018PT 24573-069	1
24	R3	5905-99-628-7212	C	RESISTOR, FIXED, FILM insulated; 2k ohms, $\pm 2\%$; 1/2W	M24500- 018PT 24573-080X	1
25	R28	5905-99-628-4601	C	RESISTOR, FIXED, FILM insulated; 2.2k ohms, $\pm 2\%$; 1/2W	M24500- 018PT 24573-081	1
26	R11 R19	5905-99-630-0967	C	RESISTOR, FIXED, FILM insulated; 3.9k ohms, $\pm 2\%$; 1/2W at 70° C	M24500-018 Pt24573- 087Z	2
27	R12 R20	5905-99-628-4594	C	RESISTOR, FIXED, FILM insulated; 4.7k ohms, $\pm 2\%$; 1/2W	M24500- 018PT 24573-089	2
28	R21 R24	5905-99-628-6995	C	RESISTOR, FIXED, FILM insulated; 5.1k ohms, $\pm 2\%$; 1/2W	M24500- 018PT 24573-090Z	2
29	R2	5905-99-633-1214	C	RESISTOR, FIXED, FILM insulated; 9.1k ohms, $\pm 2\%$; 1/2W	M24500- 018PT 24573-096L	1
30	R1	5905-99-631-0522	C	RESISTOR, FIXED, FILM insulated; 24k ohms, $\pm 2\%$; 1/2W	M24500-018 PT24573- 106V	1
31	C30	5910-99-628-7210	C	CAPACITOR, VARIABLE, AIR DIELECTRIC plate-meshing; 14.4pF max	M26816- 234PT 26816-236H	1
32	C13 C26	5910-99-631-0524	C	CAPACITOR, FIXED, CERAMIC DIELECTRIC insulated; 22pF, $\pm 0.25pF$; 750V dc wkg	M26324-706 Pt26324- 715T	2
33	C6 C15	5910-99-945-1534	C	CAPACITOR, FIXED, PLASTICS DIELECTRIC foil; tub. plastics case; 22pF $\pm 2pF$; 125V dc wkg	Salford Elect. Instr PF (26516- 088K)	2

FILTER BOX ASSEMBLY 44990-026Z

Fig. Item	Cct Ref	NATO Stock No./ Catalogue No.	Indent	Item Name and Description	Maker's Part No./ Drawing No.	No. off
1-34	C2	5910-99-580-7199	C	CAPACITOR, FIXED, PLASTICS DIELECTRIC foil; plastics; 27pF, \pm 2pF, 730V rms at 70 deg C wkg	Salford Elect.Instr PF (26516-108G)	1
35	C14	5910-99-105-2180	C	CAPACITOR, FIXED, PLASTICS DIELECTRIC foil; tubular plastics case; 82pF, 125V dc wkg	Salford Elect.Instr PF (26516-222P)	1
36	C17	5910-99-628-5005	C	CAPACITOR, FIXED, PLASTICS DIELECTRIC foil; plastics case; 110pF \pm 2%; 125V dc wkg	M26516-003PT 26516-254	1
37	C28	5910-99-119-5670	C	CAPACITOR, FIXED, PLASTICS DIELECTRIC foil; plastics case; 120pF \pm 5%; 125V dc wkg	26516-264	1
38	C12	5910-99-625-2741	C	CAPACITOR, FIXED, PLASTICS DIELECTRIC metallised; plastics case; 150pF \pm 2%; 125V dc wkg	M26516-003 Pt26516-287	1
39	C10	5910-99-628-7209	C	CAPACITOR, FIXED, PLASTICS DIELECTRIC foil; plastics case; 180pF \pm 2%; 125V dc wkg	M26516-003PT 26516-303Z	1
40	C23	5910-99-109-3352	C	CAPACITOR, FIXED, PLASTICS DIELECTRIC foil; tub. plastics case; 220pF, \pm 2%; 125V dc wkg	MIP 43103	1
41	C19	5910-99-913-6618	C	CAPACITOR, FIXED, PLASTICS DIELECTRIC foil; tub. plastics case; 390pF, \pm 2%; 125V dc wkg	Salford Electrical PF (26516-387T)	1
42	C3 C5	5910-99-115-3767	C	CAPACITOR, FIXED, PLASTICS DIELECTRIC foil; plastics case; 470pF \pm 2%; 125V dc wkg	M26516-003PT 26516-406	2

FILTER BOX ASSEMBLY 44990-026Z

Fig-Item	Cct Ref	NATO Stock No./ Catalogue No.	Ident	Item Name and Description	Maker's Part No./ Drawing No.	No. off
1-43	C16 C18	5910-99-628-4199	C	CAPACITOR, FIXED, PLASTICS DIELECTRIC foil; plastics case; 0.001uF, \pm 2%; 125V dc wkg	M26516-003PT 26516-481L	2
44	C4	5910-99-630-3400	C	CAPACITOR, FIXED, PLASTICS DIELECTRIC metallized; tub. plastics case; 0.0022uF, \pm 2%; 125V dc	M26516-003PT 26516-564X	1
45	C7	5910-99-628-7208	C	CAPACITOR, FIXED, PLASTICS DIELECTRIC foil; plastics case; 0.0028uF; \pm 2%; 125V dc wkg	M26516-003PT 26516-591S	1
46	C11 C25	5910-99-971-8508	C	CAPACITOR, FIXED, CERAMIC DIELECTRIC disc; insulated; 0.01uF, +80% -20%; 100V dc wkg	Erie Resistor 801K800011 (26383-055L)	2
47	C22	5910-99-628-7207	C	CAPACITOR, FIXED, PLASTICS DIELECTRIC foil; plastics case; 0.01uF \pm 1%; 125V dc wkg	M26516-003PT 26516-718Y	1
48	C8	5910-99-618-4021	C	CAPACITOR, FIXED, METALLIZED, PAPER DIELECTRIC plastics case; 0.01uF; \pm 10% 400V dc wkg	M26550-541 PT26555-463S	1
49	C9 C21 C27 C29	5910-99-955-4159	C	CAPACITOR, FIXED, CERAMIC DIELECTRIC disc; insulated; 0.1uF +50% -25%; 30V dc wkg	Erie Resistor 811/T/30V (26383-031S)	4
50	C1 C20 C24	5910-99-645-7854	C	CAPACITOR, FIXED, ELECTROLYTIC 1 section; insulated; 10uF, -20 +100%; 63V dc	M26410-580 PT26415-802C	3
51	D1 to D7	5961-99-118-5074	C	SEMICONDUCTOR DEVICE, DIODE	M28336-466PT 28336-466Y	7

FILTER BOX ASSEMBLY 44990-026Z

Fig. Item	Cct Ref	NATO Stock No./ Catalogue No.	Indent	Item Name and Description	Maker's Part No./ Drawing No.	No. off
1-52	TR1	5961-99-118-8373	C	TRANSISTOR	M28452-771PT 28452-771P	1
53	TR12	5961-99-118-0410	C	TRANSISTOR	Motorola MPS3640 (28431-766H)	1
54	TR4 TR7	5961-99-118-5073	C	TRANSISTOR	M28433-488PT 28433-488B	2
55	TR3 TR5 TR6 TR8 TR11	5961-99-118-5367	C	TRANSISTOR	M28452-197PT 28452-197H	5
56	TR9 TR10	5961-99-118-4687	C	TRANSISTOR	M28452-787PT 28452-787N	2
57	TR2	5961-99-118-5109	C	TRANSISTOR	M28454-786PT 28454-786H	1
58		5999-99-645-7841	C	MOUNTING PAD, ELECTRICAL-ELECTRONIC COMPONENT nylon; 0.280in.dia, 0.150in.lg	M28488-108E PT- 28488-108E	3
59		5961-99-631-0526	C	MOUNTING PAD, ELECTRICAL-ELECTRONIC COMPONENT nylon, 0.300in.od, 0.180in. thk	28488-115L	7
60		5961-99-118-4638	C	MOUNTING PAD, ELECTRONIC-ELECTRICAL EQUIPMENT nylon; 3/16in.lg	M28488-114PT 28488-114N	2
61		5955-99-103-4722	C	RETAINER, CRYSTAL HOLDER beryllium bronze; tin plated; 11/32in.w, 7/16in. h	TB39842	1
62	XL1	5955-99-632-9303	C	CRYSTAL UNIT, QUARTZ 20°C; -0 +0.01% f; 1MHz	M28311-703PT 28311-703X	1

FILTER BOX ASSEMBLY 44990-026Z

Fig. Item	Cct Ref	NATO Stock No./ Catalogue No.	Indent	Item Name and Description	Maker's Part No./ Drawing No.	No. off
1-63		5935-99-580-0061	C	SOCKET CRYSTAL 2 contacts; moulded; 0.7in. lg, 0.37in.w, 0.75in.deep	McMurdo X2/UG (28313-604X)	1
64		6625-99-645-5708	B	PANEL, ELECTRONIC CIRCUIT board; 102mm by 108mm (approx dim.); 34 components	44811-331T	1
65	L1 L2 L3 L7 L8	5950-99-956-1183	C	INDUCTOR, AUDIO FREQUENCY 120mH, $\pm 25\%$; 2in.h by 2-5/16in.dia approx body dim.	TM7387/1	5
66	L5 L6	5950-99-956-1188	C	INDUCTOR, AUDIO FREQUENCY 1mH, $\pm 25\%$; 2in.h by 2-5/16in.dia, approx body dim.	TM7387/9	2
67	L9	5950-99-645-5710	C	INDUCTOR, RADIO FREQUENCY 465 turns; unscreened; 26mm by 35mm by 35mm, 56.3mH	44290-389D	1
68	L10	5950-99-645-5709	C	INDUCTOR, RADIO FREQUENCY 239 turns; unscreened; 26mm by 35mm by 35mm, 15.1mH	44290-387S	1
69	L11	5920-99-645-5707	C	INDUCTOR, RADIO FREQUENCY 420 turns; unscreened; 26mm by 35mm by 35mm, 48.6MHz	44290-388W	1
70	L4	5950-99-956-1184	C	INDUCTOR, RADIO FREQUENCY 340MHz $\pm 25\%$; 2in.h by 2-5/16in.dia approx body dim.	TM7387/2	1
71	C13	5910-99-628-4193	C	CAPACITOR, FIXED, PLASTICS DIELECTRIC foil; plastics case; 12F $\pm 1\mu\text{F}$, 160V dc wkg	M26516-003PT 26516-014	1

FILTER BOX ASSEMBLY 44990-026Z

Fig. Item	Cct Ref	NATO Stock No./ Catalogue No.	Indent	Item Name and Description	Maker's Part No./ Drawing No.	No. off
1-72	C12	5910-99-119-5663	C	CAPACITOR, FIXED, PLASTICS DIELECTRIC foil; plastics case; 39pF; ±2pF (5.132%); 125V dc wkg	26516-145	1
73	C22	5910-99-636-4202	C	CAPACITOR, FIXED, PLASTICS DIELECTRIC metallised; 0.0011uF, ± 1%; 125V dc wkg	Salford Electrical Instr. (26516-495M)	1
74	C9 C11	5910-99-636-4200	C	CAPACITOR <i>fixed plastic dielectric 0.0024uF ± 0.5% 160v</i>	26516-574	2
75	C23	5910-99-636-4203	C	CAPACITOR, FIXED, PLASTICS DIELECTRIC metallised; 0.0075uF; ± 1%; 125V dc wkg	Salford Electrical Instr. PF (26516-495K)	1
76	C1 C2 C3 C5 to C8 C14 C15 C16 C18 to C21	5910-99-955-4159	C	CAPACITOR, FIXED, CERAMIC DIELECTRIC disc; insulated; 0.1uF, +50% -20%; 30V dc wkg	Erie Resistor 811/T/30V (26383-031S)	14
77	C4 C17	5910-99-645-6945	C	CAPACITOR, FIXED, PLASTICS DIELECTRIC 1 section, metal case; insulated; 0.1uF, 250V dc wkg	M26582-205PT 26582-208B	2
78	C10	5910-99-645-9282	C	CAPACITOR, FIXED, METALLIZED, PAPER-PLASTIC DIELECTRIC 1 section; 0.0108uF; ± 2%; 160V dc wkg	M26516-003PT 26516-901G	1
79		6625-99-645-5705	B	PANEL, ELECTRONIC CIRCUIT board; 63mm by 107mm (approx dim.); 20 components	44811-330D	1

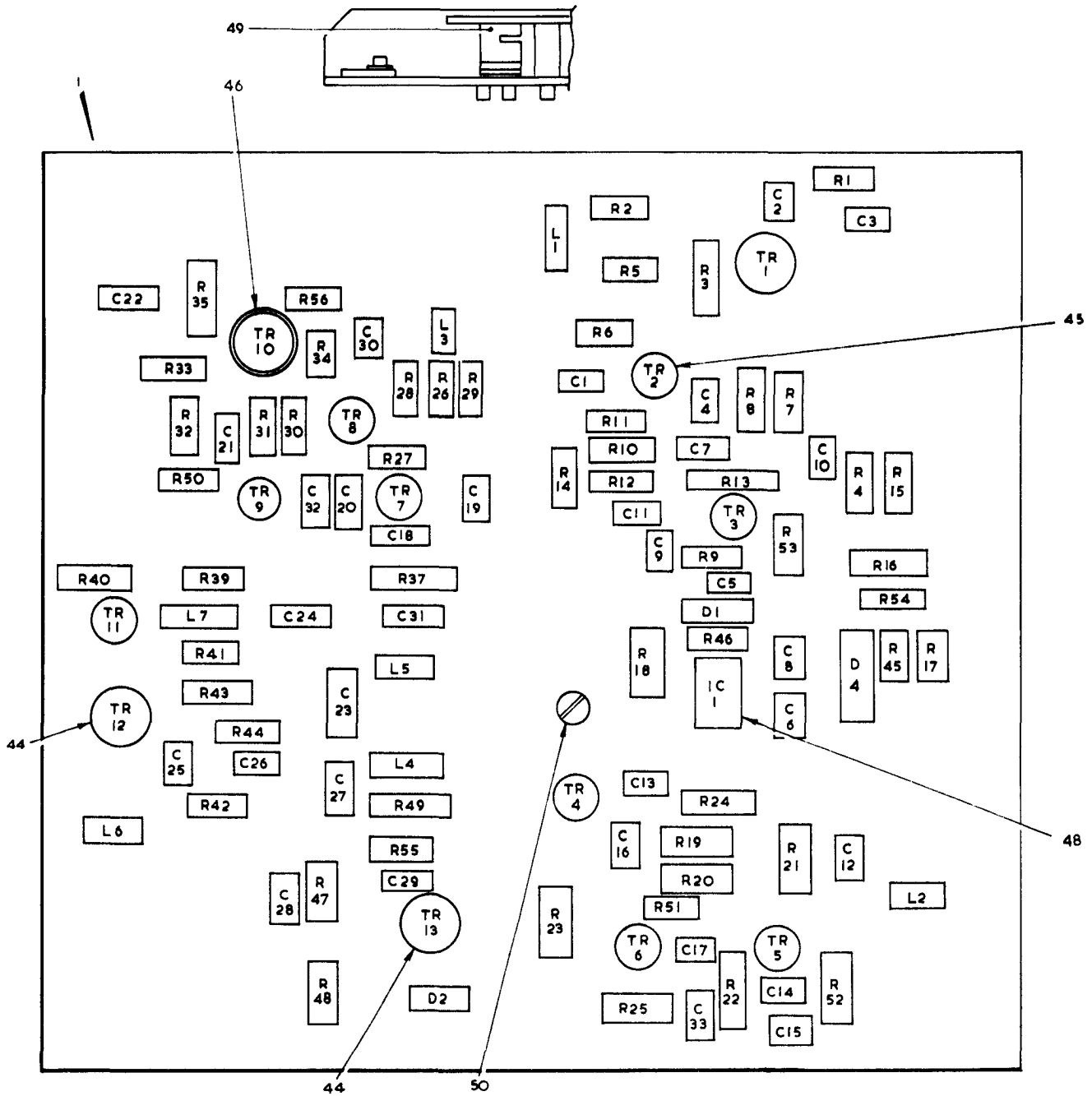
FILTER BOX ASSEMBLY 44990-026Z

Fig-Item	Cct Ref	NATO Stock No./ Catalogue No.	Indent	Item Name and Description	Maker's Part No./ Drawing No.	No. off
1-80	L1 L2 L3 L7 L8	5950-99-956-1183	C	INDUCTANCE, AUDIO FREQUENCY 120mH, \pm 25%; 2in.h by 2-5/16in.dia approx body dim.	TM7387/1	5
81	L5 L6	5950-99-956-1188	C	INDUCTANCE, AUDIO FREQUENCY 1mH, \pm 25%; 2in.h by 2-5/16in.dia approx body dim.	TM7387/9	2
82	L4	5950-99-956-1184	B	INDUCTOR, RADIO FREQUENCY 340mHz +25%; 2in.h by 2-5/16in.dia approx body dim.	TM7387/2	1
83	L9	5920-99-645-5707	C	INDUCTOR, RADIO FREQUENCY 20 turns; unscreened; 26mm by 35mm, 8.6mH	44290-388W	1
84	L10	5950-99-645-5706	C	INDUCTANCE, RADIO FREQUENCY 205 turns; unscreened; 26mm by 35mm by 35mm, 11.8mH	44290-386V	1
85	C9	5910-99-580-7192	C	CAPACITOR, FIXED, PLASTICS DIELECTRIC foil; tub; plastics case; 820pF, \pm 2%; 125V	Salford Electrical PF820 (26516- 462X)	1
86	C10	5910-99-645-9283	C	CAPACITOR, FIXED, METALLIZED, PAPER-PLASTIC DIELECTRIC 1 section; 0.00366uF; \pm 1%; 160V dc wkg	M26516- 003PT 26516-620N	1
87	C4	5910-99-645-6947	C	CAPACITOR, FIXED, PLASTICS DIELECTRIC 1 section, metal case, insulated; 0.047uF, 250V dc wkg	M26582- 205PT 26582-206C	1
88	C1 C2 C3 C5 to C8	5910-99-955-4159	C	CAPACITOR, FIXED, CERAMIC DIELECTRIC disc; insulated; 0.1uF, +50% -25%; 30V dc wkg	Erie Resistor 811/T/30V (26383- 031S)	7

Chapter 2-2-12

PARTS LIST

6625-99-645-5713
PANEL, ELECTRONIC CIRCUIT
44823-744T



CIRCUIT REF	ITEM No.	CIRCUIT REF	ITEM No.	CIRCUIT REF	ITEM No.	CIRCUIT REF	ITEM No.
C1	37	C31	36	R13	7	R42	5
C2	36	C32	36	R14	12	R43	11
C3	35	C33	37	R15	25	R44	6
C4	37			R16	18	R45	30
C5	36	D1	38	R17	27	R46	30
C6	36	D2	39	R18	6	R47	15
C7	37	D4	38	R19	20	R48	21
C8	36			R20	6	R49	6
C9	36	IC1	47	R21	20	R50	12
C10	34			R22	10	R51	9
C11	37	L1 } TO }	2	R23	6	R52	6
C12	37	L5 }		R24	20	R53	13
C13	32	L6 }	3	R25	10	R54	16
C14	36	L7 }	4	R26	31	R55	8
C15	37			R27	29		
C16	36	R1	10	R28	20	TR1	43
C17	37	R2	31	R29	23	TR2	41
C18	35	R3	29	R30	15	TR3	
C19	36	R4	29	R31	24	TO }	42
C20	37	R5	20	R32	28	TR6	
C21	37	R6	23	R33	19	TR7	43
C22	35	R7	14	R34	31	TR8	41
C23	37	R8	6	R35	29	TR9	42
C24	37	R9	29	R36	29	TR10	43
C25	34	R10	28	R37	15	TR11	42
C26		R11	28	R38		TR12	40
C27		R12	17	R39	22	TR13	40
C28				R40	26		
C29	33			R41	15		
C30	37						

FIG. I. PANEL, ELECTRONIC CIRCUIT.

CHAPTER 2-2-12

PARTS LIST

6625-99-645-5713 PANEL, ELECTRONIC CIRCUIT

Fig-Item	Cct Ref.	NATO Stock No./ Catalogue No.	Indent	Item Name and Description	Maker's Part No./ Drawing No.	No. off
1-1		6625-99-645-5713	A	PANEL, ELECTRONIC CIRCUIT board; 1.0mm by 110mm (approx dim.); 112 components	44823-744T	1
2	L1 to L5	5950-99-632-3520	B	INDUCTANCE 100 μ H	26342-325P	5
3	L6	5905-99-115-3188	B	INDUCTOR, RADIO FREQUENCY 40 turns; screened; 5/16in. dia., 3/8in. lg, 3.3mH	Cambion 3635-43 (23642-343Y)	1
4	L7	5950-99-710-8043	B	INDUCTOR, RADIO FREQUENCY 1.0 μ H, 10%	Painton 58-10-0005-10 (23642-549L)	1
5	R42	5905-99-654-1987	B	RESISTOR, FIXED, FILM 5.6 ohms, \pm 2%; $\frac{1}{4}$ W	24773-219G	
6	R8 R18 R20 R23 R44 R49 R52	5905-99-013-6189	B	RESISTOR, FIXED, FILM 10 ohms, \pm 2%; $\frac{1}{4}$ W	Electrosil TR4 Welwyn MR4 ITT/Erie MO4	7
7	R13	5905-99-013-6197	B	RESISTOR, FIXED, FILM 22 ohms, \pm 1%; $\frac{1}{4}$ W	Electrosil TR4 Welwyn MR4 ITT/Erie MO4	1
8	R55	5905-99-117-9832	B	RESISTOR, FIXED, FILM 33 ohms, \pm 2%; $\frac{1}{4}$ W	Mullard MR25 24773-237K	1
9	R51	5905-99-013-6203	B	RESISTOR, FIXED, FILM 39 ohms, \pm 1%; $\frac{1}{4}$ W	Electrosil TR4 Welwyn MR4 ITT/Erie MO4	1
10	R1 R22 R25	5905-99-013-6206	B	RESISTOR, FIXED, FILM 51 ohms, \pm 1%; $\frac{1}{4}$ W	Electrosil TR4 Welwyn MR4 ITT/Erie MO4	3
11	R43	5905-99-013-6210	B	RESISTOR, FIXED, FILM 75 ohms; \pm 1%; $\frac{1}{4}$ W	Electrosil TR4 Welwyn MR4 ITT/Erie MO4	1

6625-99-645-5713 PANEL, ELECTRONIC CIRCUIT

Fig.- Item	Cct Ref.	NATO Stock No./ Catalogue No.	Indent	Item Name and Description	Maker's Part No./ Drawing No.	No. off
1-12	R14 R50	5905-99-013-6213	B	RESISTOR, FIXED, FILM 100 ohms, $\pm 1\%$; $\frac{1}{4}W$	Electrosil TR4 Welwyn MR4 ITT/Erie MO4	2
13	R53	5905-99-013-6217	B	RESISTOR, FIXED, FILM 150 ohms, $\pm 1\%$; $\frac{1}{4}W$	Electrosil TR4 Welwyn MR4 ITT/Erie MO4	1
14	R7	5906-99-625-7144	B	RESISTOR, FIXED, FILM 220 ohms, $\pm 2\%$; $\frac{1}{4}W$, insulated	M24500-013 24511-558D	1
15	R30 R37 R41 R47	5905-99-625-7145	B	RESISTOR, FIXED, FILM 330 ohms, $\pm 2\%$; $\frac{1}{4}W$; insulated	M24500- 013PT 24511-563P	4
16	R54	5905-99-645-9290	B	RESISTOR, FIXED, FILM 390 ohms, $\pm 2\%$; $\frac{1}{4}W$ encapsulated	M24770- 321P 24773-263P	1
17	R12	5905-99-013-6228	B	RESISTOR, FIXED, FILM 430 ohms; $\pm 1\%$; $\frac{1}{4}W$	Electrosil TR4 Welwyn MR4 ITT/Erie MO4	1
18	R16	5905-99-636-4186	B	RESISTOR, VARIABLE 470 ohms; $\pm 20\%$; $\frac{1}{2}W$	25541-214S	1
19	R33	5905-99-645-9294	B	RESISTOR, VARIABLE 1 section; conductive plastic; 470 ohms; $\pm 10\%$ $\frac{1}{2}W$	M25710- 150PT 25711-502J	1
20	R5 R19 R21 R24 R28	5905-99-013-6237	B	RESISTOR, FIXED, FILM 1K ohm; $\pm 1\%$; $\frac{1}{4}W$	Electrosil TR4 Welwyn MR4 ITT/Erie MO4	5
21	R48	5905-99-013-6243	B	RESISTOR, FIXED, FILM 1.8K ohms; $\pm 1\%$; $\frac{1}{4}W$	Electrosil TR4 Welwyn MR4 ITT/Erie MO4	1
22	R39	5905-99-013-6244	B	RESISTOR, FIXED, FILM 2K ohms; $\pm 1\%$; $\frac{1}{4}W$	Electrosil TR4 Welwyn MR4 ITT/Erie MO4	1

6625-99-645-5713 PANEL, ELECTRONIC CIRCUIT

Fig-Item	Cct Ref.	NATO Stock No./ Catalogue No.	Indent	Item Name and Description	Maker's Part No./ Drawing No.	No. off
1-23	R6 R29	5905-99-013-6245	B	RESISTOR, FIXED, FILM 2.2K ohms, $\pm 1\%$; $\frac{1}{4}W$	Electrosil TR4 Welwyn MR4 ITT/Erie MO4	2
24	R31	5905-99-013-6249	B	RESISTOR, FIXED, FILM 3.3K ohms, $\pm 1\%$; $\frac{1}{4}W$	Electrosil TR4 Welwyn MR4 ITT/Erie MO4	1
25	R15	5905-99-013-6253	B	RESISTOR, FIXED, FILM 4.7K ohms; $\pm 1\%$; $\frac{1}{4}W$	Electrosil TR4 Welwyn MR4 ITT/Erie MO4	1
26	R40	5905-99-013-6254	B	RESISTOR, FIXED, FILM 5.1K ohms, $\pm 1\%$; $\frac{1}{4}W$	Electrosil TR4 Welwyn MR4 ITT/Erie MO4	
27	R17	5905-99-013-6261	B	RESISTOR, FIXED, FILM 10K ohms, $\pm 1\%$; $\frac{1}{4}W$	Electrosil TR4 Welwyn MR4 ITT/Erie MO4	
28	R10 R11 R32	5905-99-013-6263	B	RESISTOR, FIXED, FILM 12K ohms, $\pm 1\%$; $\frac{1}{4}W$	Electrosil TR4 Welwyn MR4 ITT/Erie MO4	
29	R3 R4 R9 R27 R35 R36	5905-99-628-4683	B	RESISTOR, FIXED, FILM 100K ohms, $\pm 2\%$; $\frac{1}{4}W$; insulated	M24770-321PT 24773-321	6
30	R45 R46	5905-99-636-4149	B	RESISTOR, FIXED, FILM 470K ohms, $\pm 5\%$; $\frac{1}{8}W$ wire leads uninsulated	M24300-013PT 24311-937A	2
31	R2 R26 R34	5905-99-625-4429	B	RESISTOR, FIXED, FILM 1M ohm, $\pm 5\%$; $\frac{1}{8}W$ insulated	M24300-001PT 24311-945Y	3
32	C13	5910-99-628-4208	B	CAPACITOR, FIXED, CERAMIC DIELECTRIC insulated; 10pF, $\pm 20\%$; 500V dc wkg	M26340-312PT 26343-120B	1
33	C29	5910-99-628-4207	B	CAPACITOR, FIXED, CERAMIC DIELECTRIC insulated; 100pF, $\pm 20\%$; 500V dc wkg	M26340-316PT 26343-167G	1

6625-99-645-5713 PANEL, ELECTRONIC CIRCUIT

Fig-Item	Cct Ref.	NATO Stock No./ Catalogue No.	Indent	Item Name and Description	Maker's Part No./ Drawing No.	No. off
1-34	C10 C25	5910-99-628-2610	B	CAPACITOR, FIXED, CERAMIC DIELECTRIC insulated; 330pF, $\pm 20\%$; 500V dc wkg	M26383- 131PT 26383-136T	2
35	C3 C18 C22	5910-99-900-4599	B	CAPACITOR, FIXED, CERAMIC DIELECTRIC disc; 0.001 μ F, +80 -20%; 500V dc wkg	Erie K350081/831 (26383- 242P)	3
36	C2 C5 C6 C8 C9 C14 C16 C19 C31 C32	5910-99-971-8508	B	CAPACITOR, FIXED, CERAMIC DIELECTRIC disc; insulated; 0.01 μ F +80 - 20%; 100V dc wkg	Erie 801/K800011 (26383- 055L)	10
37	C1 C4 C7 C11 C12 C15 C17 C20 C21 C23 C24 C26 to C28 C30 C33	5910-99-628-4203	B	CAPACITOR, FIXED, ELECTROLYTIC tantalum electrode; sintered metal case; 4.7 μ F $\pm 20\%$; 35V dc wkg	M26486- 203PT 26486-219P	16
38	D1 D4	5961-99-118-5074	B	SEMICONDUCTOR DEVICE, DIODE	M28336- 466PT 28336-466Y	2
39	D2	5961-99-118-3466	B	SEMICONDUCTOR DEVICE, DIODE	M28336-676J	1
40	TR12 TR13	5961-99-118-1398	B	TRANSISTOR	R.C.A. 2N5109 (28454- 797G)	2

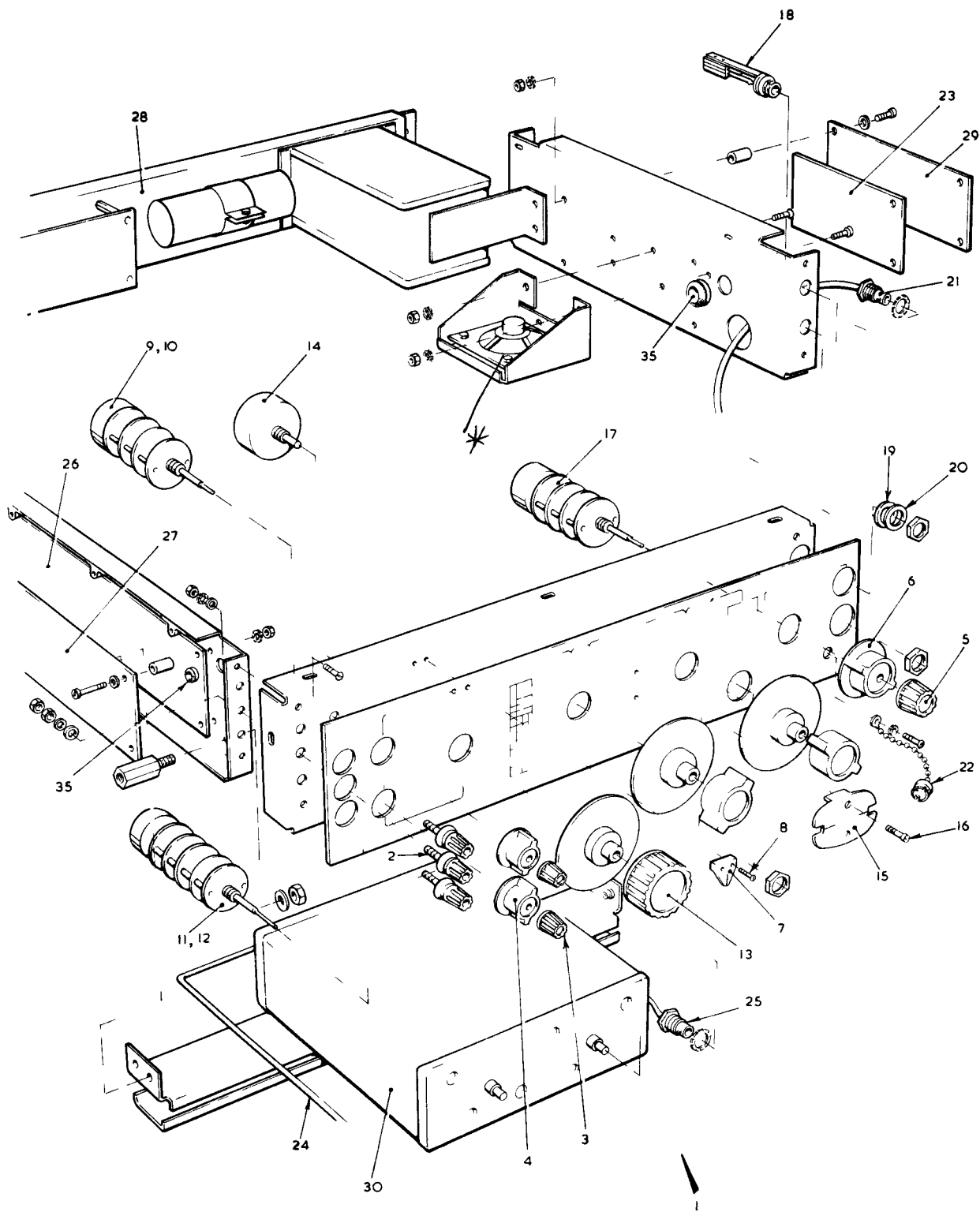
6625-99-645-5713 PANEL, ELECTRONIC CIRCUIT

Fig. Item	Cct Ref	NATO Stock No./ Catalogue No.	Indent	Item Name and Description	Maker's Part No./ Drawing No.	No. off
1-41	TR2 TR8	5961-99-118-4737	B	TRANSISTOR	M28435- 235PT 28435-235L	2
42	TR3 to TR6 TR9 TR11	5961-99-118-4734	B	TRANSISTOR	M28452- 157PT 28452-157R	6
43	TR1 TR7 TR10	5961-99-118-6040	B	TRANSISTOR	M28459- 019PT 28459-019R	3
44		5999-99-645-7857	B	MOUNTING PAD, ELECTRICAL- ELECTRONIC COMPONENT nylon; 3/8in.dia, 0.065in. thk	M28488- 111PT 28488-111E	2
45		5961-99-631-0526	B	MOUNTING PAD, ELECTRICAL- ELECTRONIC COMPONENT nylon, 0.300in.od, 0.180in.thk	28488-115L	8
46		5961-99-118-8341	B	SOCKET, SEMI-CONDUCTOR DEVICE 4 contact positions; plastic; 0.219in.h, 0.280 in.dia; solder lug type terminals; non-polarized	M28488- 065PT 28488-065B	3
47	IC1	5962-99-116-3800	B	INTEGRATED CIRCUIT, OPERATIONAL AMPLIFIER	Fairchild UA741C (28461- 304T)	1
48		5999-99-645-7856	B	MOUNTING PAD, ELECTRICAL- ELECTRONIC COMPONENT nylon; 0.406in.lg, 0.406in. w, 0.178in.h	M28488- 101PT 28488-102R	1
49		5999-99-645-9295	B	HEATSINK, ELECTRICAL- ELECTRONIC COMPONENT aluminium alloy; ceramic insulated; 3/8in.dia, 25/64in.lg	M28488- 428PT 28488-428V	1
50		5340-99-932-5192	B	CLAMP, LOOP nylon; 5/16in.id, 5/32in. dia fixing hole	DEF-STAN 53-15 (23243-656D)	1

Chapter 2-3

PARTS LIST

LOWER UNIT ASSEMBLY
44990-029U



* SPEAKER 242 5965-99-221-6668

FIG. I. LOWER UNIT ASSEMBLY

Chapter 2-3

PARTS LIST

LOWER UNIT ASSEMBLY 44990-029U

Fig. Item	Cct Ref.	NATO Stock No./ Catalogue No.	Indent	Item Name and Description	Maker's Part No./ Drawing No.	No. off
1-1		- - -	A	LOWER UNIT ASSEMBLY	44990-029U	1RF
2	TP4	5940-99-618-1030	B	TERMINAL, SCREWED HEAD 1-1/2in. o/a lg, insulated captive head; grey	M23235- 174PT 23235-177	6
3		5355-99-221-6796	B	KNOB	TM6890/5 41141-625	2
4		5355-99-221-7053	B	KNOB phenolic; setscrew type; rd w/double fin; 1/4in.dia bore; 1 in. lg, 11/16in.w, 21/32in.thick; w/skirt	TM7033/5	2
5		5355-99-956-1270	B	KNOB polypropylene; setscrew type; crown; 1/8in.bore; 11/16in.od, 7/16in.thick w/o skirt	TM6891/11 41141-503B	1
6		5355-99-956-1269	B	KNOB polypropylene; setscrew type; bar with single pointer; 1/4in. bore; 1-1/2in.od, 3/4in.thick with skirt	TM6896/5 41145-220F	1
7		6625-99-956-1312	B	CURSOR, CONTROL DIAL plastic; 3/4in.lg; 5/8in. w, 1/4in. thick	TB40890 31185-722M	1
8		5305-99-645-7840	Z	SCREW, MACHINE BA; steel; pan No.2 hd; cross recess type 1A drive chromium plated; No.6 by 1/2in.lg	M21347- 401PT 21347-432Y	2
9	SAC	6625-99-221-6684	B	SWITCH, 12 POSITION 22 contact, 12 position switch; 50k ohm resistor	TC37860/24 44322-131	1
10	R29	5905-99-645-7861	C	RESISTOR, VARIABLE 1 section; carbon, 50k ohms; \pm 20%, linear; rd w/flat; 1/8in.dia, 2.626in.lg	Plessey Inter- connect Type E (44322- 131M)	1

LOWER UNIT ASSEMBLY 44990-029U

Fig. Item	Cct Ref	NATO Stock No./ Catalogue No.	Indent	Item Name and Description	Maker's Part No./ Drawing No.	No. off
1-11	SAD	6625-99-221-6685	B	SWITCH, 12 POSITION 22 contact, 12 position switch; 2.2k ohms resistor	TC37860/25 44322-419	1
12	R31	5905-99-645-7863	C	RESISTOR, VARIABLE 1 section carbon; 2.2k ohms; \pm 20%, linear; rd w/flat 1/8in.dia, 3.626in. lg	Plessey Inter- connect Type E (44322- 419N)	1
13		5355-99-625-7127	B	KNOB phenolic body; setscrew type; 1/4in.bore; 1-1/2in. od, 9/16in.thick, w/o skirt	TB3755/3	1
14		5905-99-645-7864	B	POTENTIOMETER BOSS AND DIAL ASSEMBLY composite; rd, w/graduated dial; 2-1/2in.dia by 1-5/8 in.lg approx o/a dia	44397-001Y	1
15		6625-99-956-1390	B	PLATE DESIGNATION plastic; inscribed "dB above 1uv and add", 1-7/8 in.lg, 1-3/16in.w, 9/32in. thick; 2 mtg holes	TM5955	1
16		5305-99-645-7840	Z	SCREW, MACHINE BA; steel; pan no.2 hd; cross recess, type 1A drive chromium plated; No.6 by 1/2in.lg, scr 1/2in., normal class thread	M21347- 401PT 21347-432Y	2
17		6625-99-221-6686	B	SWITCH, 12 POSITION 22 contact, 12 position switch	TC37860/21 44324-219	1
18		5935-99-107-1914	B	JACK, TELEPHONE single shank; two contacts	A.F.Bulgin J12/RT/DEF 5000 (23421- 662F)	1

LOWER UNIT ASSEMBLY 44990-029U

Fig-Item	Cct Ref	NATO Stock No./ Catalogue No.	Indent	Item Name and Description	Maker's Part No./ Drawing No.	No. off
1-19		5310-99-970-4127	Z	WASHER, SHOULDERED AND RECESSED SRBF, 25/64in. hole dia; 21/32in.od, 1/16in.thick, 1/2in.dia recess, 1/2in. dia shoulder, 3/32in.h o/a	A.F.Bulgin 1058 (23421- 721Z	1
20		5310-99-952-2880	Z	WASHER, FLAT SRBF/SRBP; 3/8in.id, 21/32in.od, 1/16in.thick	A.F.Bulgin 1557 (23421- 722H)	1
21		6625-99-221-6681	B	CABLE ASSEMBLY, RADIO FREQUENCY micro coax; UT-141A; plug first end; socket second end; 12-9/16in.lg o/a	TM4726/326	1
22		5935-99-625-2739	B	COVER, ELECTRICAL PLUG- SOCKET metallic; 45/64in.lg by 9/16in.dia, friction mtg.	M23443- 591PT 23443-591	1
23		5970-99-645-5725	B	INSULATOR srbp; 115-00mm lg, 59.50mm w, 0.38mm thick	37490-025M	1
24		6625-99-221-6679	B	CABLE ASSEMBLY, RADIO FREQUENCY micro coax; UT-141-A; plug first end; socket second end, 6-1/2in.lg o/a	TM4726/325 43125-058	1
25		6625-99-221-6680	B	CABLE ASSEMBLY, RADIO FREQUENCY micro coax, UT-141-A; plug first end, socket second end; 8-1/2in.lg o/a	TM4726/327 43126-034	1
26		5970-99-645-5724	B	INSULATOR srbp; 206.50mm lg, 66.80mm w, 0.38mm thick	37490-024X	1
27		6625-99-645-5719	B	PANEL, ELECTRONIC CIRCUIT For spares details refer to Chapter 2-3-1	44825-227V	1RF

LOWER UNIT ASSEMBLY 44990-029U

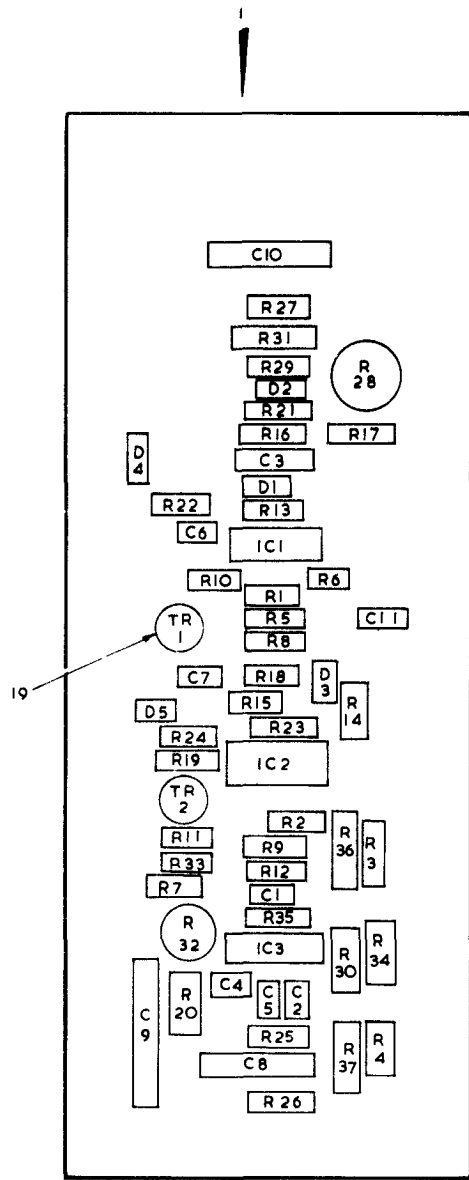
Fig-Item	Cct Ref	NATO Stock No./ Catalogue No.	Indent	Item Name and Description	Maker's Part No./ Drawing No.	No. off
1-28		- - -	B	POWER SUPPLY ASSEMBLY For spares details refer to Chapter 2-3-2	44990-016X	1RF
29		6625-99-645-5720	B	PANEL,ELECTRONIC CIRCUIT For spares details refer to Chapter 2-3-3	44825-228S	1RF
30		- - -	B	attenuator For spares details refer to Chapter 2-3-4	46844-003J	1RF
+ 31	R6 R11 R12 R27	5905-99-221-6670	B	RESISTOR, FIXED, FILM insulated; 6.11k ohms, + 1%; 1/4W	Welwyn Electric C21 (24138-724N)	4
+ 32	R8 R14	5905-99-221-6671	B	RESISTOR, FIXED, FILM tub-metallic; insulated; 7.115k ohms, + 1%; 1/4W at 70 deg C	BS9111-N-016 style KZ (24138-728G)	2
+ 33	R7 R10 R13 R16	5905-99-221-6672	B	RESISTOR, FIXED, FILM insulated; 9.625k ohms, + 1%; 1/4W	Welwyn Electric C21 (24138-734N)	4
+ 34	R9 R15	5905-99-221-6673	B	RESISTOR, FIXED, FILM insulated; 24.75k ohms, + 1%; 1/4W	BS9111-N-016 style KZ (24138-785E)	2
35		5325-99-468-9952	B	GROMMET type 1	23187-232M	3

+ Not Illustrated

Chapter 2-3-1

PARTS LIST

6625-99-645-5719
PANEL, ELECTRONIC CIRCUIT
44825-227V



CIRCUIT REF	ITEM No.	CIRCUIT REF	ITEM No.	CIRCUIT REF	ITEM No.
C1	23	R1	2	R21	17
C2	21	R2		R22	14
C3	26	R3	10	R23	17
C4	24	R4	10	R24	14
C5	20	R5		R25	16
C6	22	R6	16	R26	12
C7	22	R7	11	R27	10
C8	27	R8	3	R28	
C9	25	R9		R29	10
C10	28	R10	5	R30	10
		R11	5	R31	15
D1	32	R12	13	R32	6
D2	33	R13	7	R33	7
D3	33	R14		R34	8
D4	34	R15		R35	9
D5	34	R16	12	R36	18
		R17	17	R37	18
IC1	30	R18	12	TR1	29
IC2	30	R19	17	TR2	29
IC3	31	R20	4		

FIG. I. PANEL, ELECTRONIC CIRCUIT.

Chapter 2-3-1

PARTS LIST

6625-99-645-5719 PANEL, ELECTRONIC CIRCUIT

Fig.- Item	Cct Ref.	NATO Stock No./ Catalogue No.	Indent	Item Name and Description	Maker's Part No./ Drawing No.	No. off
1-1		6625-99-645-5719	A	PANEL, ELECTRONIC CIRCUIT board; 64mm by 204mm (approx dim.); 58 components	44825-227V	1RF
2	R1	5905-99-628-7211	B	RESISTOR, FIXED, FILM insulated; 10 ohms, $\pm 2\%$; 1/2W	M24500- 018PT 24573-025	1
3	R8	5905-99-625-2286	B	RESISTOR, FIXED, FILM insulated; 330 ohms, $\pm 2\%$; 1/2W	M24500- 018PT 24573-061	1
				OR		
3 (1)	R8	5905-99-630-0965	B	RESISTOR, FIXED, FILM insulated; 390 ohms, $\pm 2\%$; 1/4W at 70 deg C	M24500-018 Pt24573- 063N	1
4	R20	5905-99-628-4604	B	RESISTOR, FIXED, FILM insulated; 470 ohms, $\pm 2\%$; 1/2W	M24500- 018PT 24573-065	1
5	R10 R11	5905-99-628-4602	B	RESISTOR, FIXED, FILM insulated; 680 ohms, $\pm 2\%$; 1/2W	M24500- 018PT 24573-069	2
6	R32	5905-99-628-5010	B	RESISTOR, VARIABLE wire wound; 1k ohms, $\pm 10\%$; 1W	M25811- 010PT 25811-019	1
7	R13 R33	5905-99-630-0966	B	RESISTOR, FIXED, FILM insulated; 1k ohms, $\pm 2\%$; 1/2W at 70 deg C	M24500-018 Pt24573- 073W	2
8	R34	5905-99-628-4594	B	RESISTOR, FIXED, FILM insulated; 4.7k ohms, $\pm 2\%$; 1/2W	M24500- 018PT 24573-089	1
				OR		
8 (1)	R34	5905-99-628-4635	B	RESISTOR, FIXED, FILM insulated, 6.8k ohms, $\pm 2\%$; 1/2W	M24500- 018PT 24573-093	1
9	R35	5905-99-628-4594	B	RESISTOR, FIXED, FILM insulated; 4.7k ohms, $\pm 2\%$; 1/2W	M24500- 018PT 24573-089	1

6625-99-645-5719 PANEL, ELECTRONIC CIRCUIT

Fig. Item	Cct Ref	NATO Stock No./ Catalogue No.	Indent	Item Name and Description	Maker's Part No./ Drawing No.	No. off
1-10	R3 R4 R27 R29 R30	5905-99-636-4161	B	RESISTOR, FIXED, FILM 5k ohms, $\pm 5\%$; 1/2W; hermetically sealed	Holsworthy Electronics H4 (24753- 878D)	5
11	R7	5905-99-631-9805	B	RESISTOR, FIXED, FILM insulated; 5.6k ohms, $\pm 2\%$; 1/2W	M24500- 018PT 24573-091H	1
12	R16 R18 R26	5905-99-624-6402	B	RESISTOR, FIXED, FILM insulated; 8.2k ohms, $\pm 2\%$; 1/2W	M24500-018 PT24573-095	3
13	R12	5905-99-624-6408	B	RESISTOR, FIXED, FILM insulated; 10k ohms, $\pm 2\%$; 1/2W	M24500-018 PT24573-097	1
14	R22 R24	5905-99-625-9983	B	RESISTOR, FIXED, FILM insulated; 15k ohms, $\pm 2\%$; 1/2W	M24500-018 PT24573-101	2
15	R31	5905-99-628-6994	B	RESISTOR, FIXED, FILM insulated; 18k ohms, $\pm 2\%$; 1/2W	M24500- 018PT 24573-103	1
				OR		
15 (1)	R31	5905-99-628-4595	B	RESISTOR, FIXED, FILM insulated; 27k ohms, $\pm 2\%$; 1/2W	M24500- 018PT 24573-107	1
				OR		
15 (2)	R31	5905-99-631-9808	B	RESISTOR, FIXED, FILM insulated; 47k ohms, $\pm 2\%$; 1/2W	M24500- 018PT 24573-113T	1
16	R6 R25	5905-99-636-2647	B	RESISTOR, FIXED, FILM 22k ohms, $\pm 2\%$; 1/2W	M24500- 018PT 24573-105C	2
17	R17 R19 R21 R23	5905-99-631-9807	B	RESISTOR, FIXED, FILM insulated; 33k ohms, $\pm 2\%$; 1/2W	M24500- 018PT 24573-109D	4
18	R36 R37	5903-99-628-4219	B	RESISTOR, FIXED, FILM insulated; 470k ohms, $\pm 2\%$; 1/4W	M24500- 018PT 24573-137G	2
				OR		

6625-99-645-5719 PANEL, ELECTRONIC CIRCUIT

Fig-Item	Cct Ref	NATO Stock No./ Catalogue No.	Indent	Item Name and Description	Maker's Part No./ Drawing No.	No. off
1-18 (1)	R36 R37	5905-99-624-6406	B	RESISTOR, FIXED, FILM insulated; 680k ohms, \pm 5%; 3/8W, 1/2W	M24300-002 PT24573-141	2
				OR		
18 (2)	R36 R37	5905-99-113-6657	B	RESISTOR, FIXED, FILM insulated; 1M ohms, \pm 2%; 0.5W	Welwyn Electric Type MR5 (24573- 137G)	2
19		5961-99-631-0526	B	MOUNTING PAD, ELECTRICAL- ELECTRONIC COMPONENT nylon; 0.300in.od, 0.180in. thk	28488-115L	1
20	C5	5910-99-645-9297	B	CAPACITOR, FIXED, CERAMIC DIELECTRIC 1 section; ceramic case; 18pF; \pm 20%; 500V dc wkg	M26340- 313NSA PT26343- 129R	1
21	C2	5910-99-628-4225	B	CAPACITOR, FIXED, CERAMIC DIELECTRIC insulated; 22pF, \pm 20%; 500V dc wkg	M26340- 313PT 26343-134	1
22	C6 C7	5910-99-900-4599	B	CAPACITOR, FIXED, CERAMIC DIELECTRIC disc; 0.001uF, +80 -20%; 500V dc wkg	Erie Electronics K350081/831 (26383- 242P)	2
23	C1	5961-99-631-0526	B	MOUNTING PAD, ELECTRICAL- ELECTRONIC COMPONENT nylon, 0.300in.od, 0.180 in.thk	28488-115L	1
24	C4	5910-99-955-4159	B	CAPACITOR, FIXED, CERAMIC DIELECTRIC disc; insulated; 0.1uF, +50% -20%; 30V dc wkg	Erie Resistor 811/T/30V (26383- 031S)	1
25	C9	5910-99-645-7855	B	CAPACITOR, FIXED, ELECTROLYTIC 1 section; insulated; 1000uF; -20 +100%; 10V dc	M26410-580 PT26415- 824S	1

6625-99-645-5719 PANEL, ELECTRONIC CIRCUIT

Fig. Item	Cct Ref	NATO Stock No./ Catalogue No.	Indent	Item Name and Description	Maker's Part No./ Drawing No.	No. off
1-26	C3	5910-99-626-1092	B	CAPACITOR, FIXED, ELECTROLYTIC aluminium electrode; plain foil; metal case; insulated; 4.7uF, \pm 100 -20%; 63V dc wkg	580PT 26415-801 (26415-801M)	1
27	C8	5910-99-645-7854	B	CAPACITOR, FIXED, ELECTROLYTIC 1 section; insulated; 10uF; -20 +100%; 63V dc	M26410-580 PT26415-802C	1
28	C10	5910-99-625-2797	B	CAPACITOR, FIXED, ELECTROLYTIC aluminium electrode; processed foil; metal case; insulated; 100uF, \pm 100 -20%; 25V dc wkg	SRDE SD/B225698 /4 (26415-813U)	1
29	TR1 TR2	5961-99-118-2983	B	TRANSISTOR	M28433-487PT 28433-487	2
30	IC1 IC2	5950-99-636-4231	B	INDUCTOR, RADIO FREQUENCY 7-1/2 turns; unscreened	TB 41697/2	2
31	IC3	5962-99-118-6042	B	INTEGRATED CIRCUIT, OPERATIONAL AMPLIFIER	M28461-312PT 28461-312R	1
32	D1	5961-99-118-4792	B	SEMICONDUCTOR DEVICE, DIODE	M28371-494PT 28371-494Z	1
33	D2 D3	5961-99-118-3466	B	SEMICONDUCTOR DEVICE, DIODE	M28336-676	2
34	D4 D5	5961-99-037-5033	B	SEMICONDUCTOR DEVICE, DIODE	Hughes International HG1005 (28323-035N)	2

Chapter 2-3-2

PARTS LIST

POWER SUPPLY ASSEMBLY
44990-016X

CIRCUIT REF	ITEM No	CIRCUIT REF	ITEM No
R1	26	C1	34
R3	24	C2	33
R4	30	C3	33
R5	24		
R6	23	D1	37
R7	27	D2	36
R8	31	D3	
R9	28	D4	
R10	29	TR1	38
R11	32	TR2	38
R12	25		

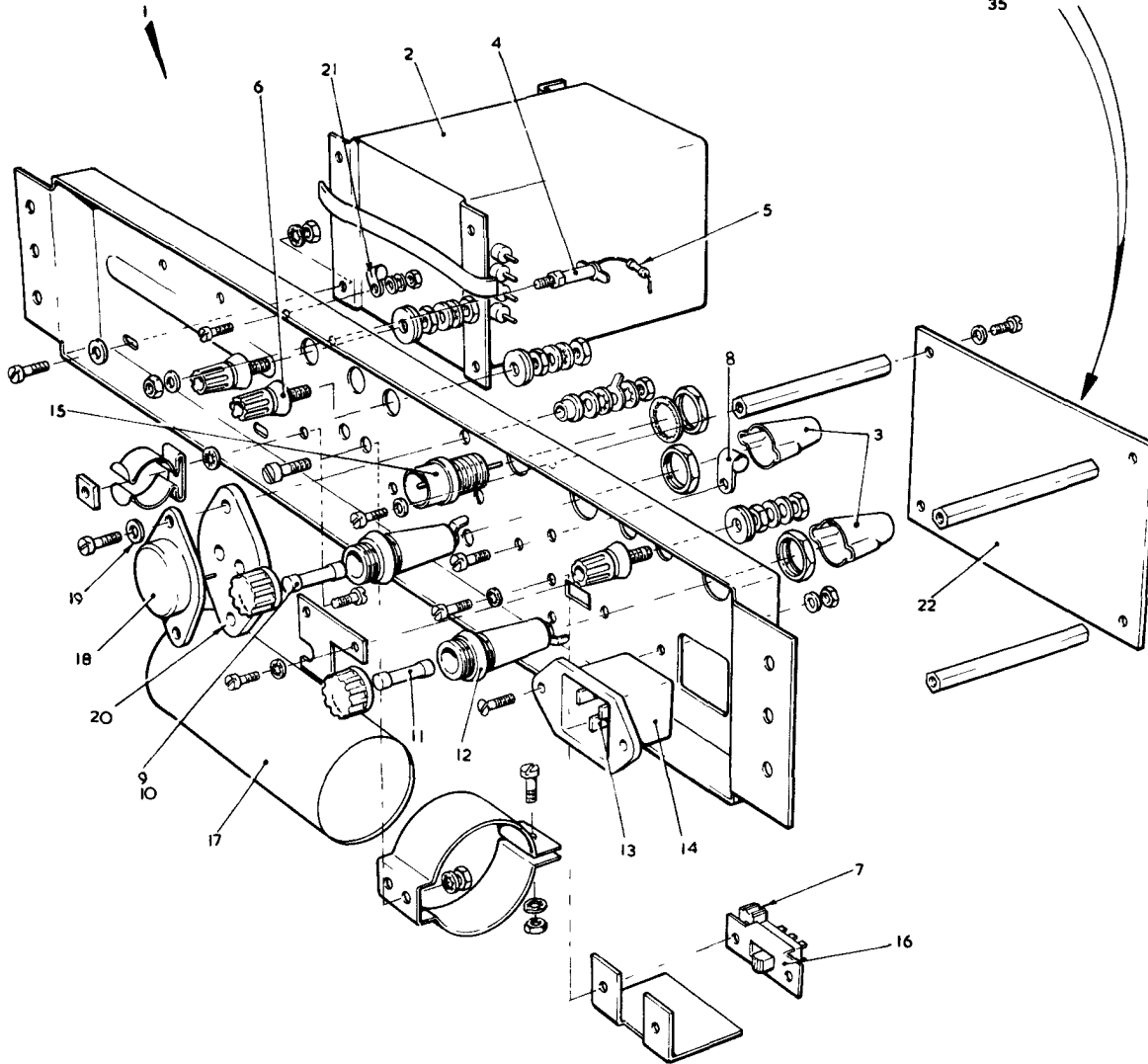
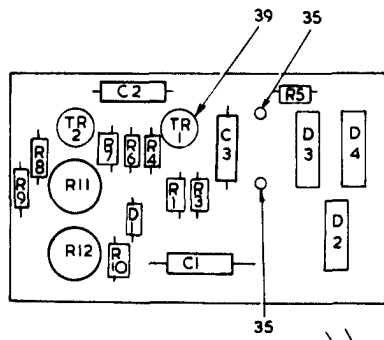


FIG. I. POWER SUPPLY ASSEMBLY

Chapter 2-3-2

PARTS LIST

POWER SUPPLY ASSEMBLY 44990-016X

Fig. Item	Cct Ref.	NATO Stock No./ Catalogue No.	Indent	Item Name and Description	Maker's Part No./ Drawing No.	No. off
1-1		- - -	A	POWER SUPPLY ASSEMBLY	44990-016X	1RF
2	TL	5950-99-956-1513	B	TRANSFORMER, POWER, STEP-DOWN primary 230V, 50 Hz single phase; secondary 20.5V; 2-1/2in. by 2-15/16in. by 4-9/16in. approx o/a dim.	TM7477	1
3		5950-99-645-5723	B	COVER FUSE non-metallic; 30.47mm lg, 17.13mm w, 13.22mm thick	37575-121B	2
4		5940-99-932-3014	B	TERMINAL POST copper; silver plated; 11/16in. lg, 9/16in. w, 5/16in. deep	Jackson Bros. 5100S type HS (23211-545J)	1
5	RL	5905-99-628-4653	B	RESISTOR, FIXED, FILM insulated; 560 ohms, \pm 2%; 1/2W	M24500-018PT 24573-067	1
6	TP8	9540-99-618-1030	B	TERMINAL, SCREWED HEAD 1-1/2in. o/a lg, insulated captive head, grey	M23235-174PT 23235-177	1
7		5970-99-645-9298	B	INSULATOR STANDOFF cylindrical; ceramic unglazed; 0.156in. dia by 0.531in. lg	M23211-544 Pt23211-544L	2
8		5340-99-640-5104	B	CLAMP, LOOP nylon; 3/8in. w grip; 5/32in. dia fixing hole	Insuloid NX4 (23243-657T)	1
9	FS1	5920-99-956-1252	B	FUSE LINK, CARTRIDGE cartridge; glass; 250mA, 250V, 20mm lg, 5mm dia	K.E. Beswick TDA123 (23411-055P)	1

POWER SUPPLY ASSEMBLY 44990-016X

Fig. Item	Cct Ref	NATO Stock No./ Catalogue No.	Indent	Item Name and Description	Maker's Part No./ Drawing No.	No. off
1-10	FS1	5920-99-956-1504	B	FUSE LINK, ELECTRICAL cartridge, glass; 160mA, 250V; 20mm lg, 5mm dia	Kenneth E. Beswick TDA123 (23411- 054T)	1
11	FS2	5920-99-112-3702	B	FUSE LINK, CARTRIDGE glass body; 500mA; 250V ac; 13/16in. dia, 25/32in. lg	M23411-056 PT23411-056	1
12		5920-99-112-6181	B	FUSE HOLDER single way; 250V ac, 5A	M23416-191 Pt23416-191	2
13	PL7	5935-99-645-7868	B	PLUG, ELECTRICAL fixed; steel or brass; flange mtd; 3 pole; 6A 250V ac; male shell	M23423- 158NSA Pt23423- 158T	1
14		5999-99-645-7869	B	BOOT, DUST AND MOISTURE SEAL PVC; 25mm dia, 50mm lg, o/a dia; black	M23423- 999Y Pt23423- 999Y	1
15	SKT 12	5935-99-635-6352	B	SOCKET, ELECTRICAL fixed; brass, single through hole mtg; single pole; co-axial; 50 ohms; male shell; bayonet locking	M23443- 443PT 23443-443K	1
16	SE	5930-99-636-1121	B	SWITCH, SLIDE dpdt; 150mA max, 250V ac	M23467- 155PT 23467-155G	1
17	CL	5910-99-112-5113	B	CAPACITOR, FIXED, ELECTROLYTIC aluminium electrode; processed foil; metal case; insulated; 2,500uF, +50 -10%	M26400-004 Pt26427-134	1
18	TR1	5961-99-118-4686	B	TRANSISTOR	M28435-876 Pt28435- 876Z	1
19		5940-99-945-1276	B	INSULATED SET, TRANSISTOR 5970-99-914-8223 insulator, bushing 2. 5970-99-914-5516 insulator, plate 1	Mullard 56201 (28488- 110H)	1

POWER SUPPLY ASSEMBLY 44990-016X

Fig. Item	Cct Ref	NATO Stock No./ Catalogue No.	Indent	Item Name and Description	Maker's Part No./ Drawing No.	No. off
1-20		5970-99-114-0554	B	INSULATOR WASHER	R.C.A. TO3 (28488-201X)	1
21		5340-99-943-6899	B	CLAMP, LOOP plastic; 1/8in.id loop, 1/4in.w, 9/64in.dia fixing hole	SSM(L)7-4/2 (25234-641)	1
22		6625-99-645-5722	B	PANEL, ELECTRONIC CIRCUIT board; 62mm by 102mm (approx dim.); 25 components	44823-325G	1
23	R6	5905-99-630-0967	C	RESISTOR, FIXED, FILM insulated; 3.9k ohms $\pm 2\%$; 1/2 Watt 70 deg. C	M24500-018 Pt24573- 087Z	1
24	R3 R5	5905-99-633-1213	C	RESISTOR, FIXED, FILM insulated; 100 ohms, $\pm 2\%$; 1/2W	M24500- 018PT 24573-049B	2
25	R12	5905-99-628-5013	C	RESISTOR, VARIABLE wire wound; 470 ohms, $\pm 10\%$; 1W; linear	M25811- 010PT 25811-017	1
26	R1	5905-99-630-0966	C	RESISTOR, FIXED, FILM insulated; 1k ohm, $\pm 2\%$; 1/2W at 70 Deg.	M24500-018 Pt24573- 073W	1
27	R7	5905-99-195-9975	C	RESISTOR, FIXED, FILM insulated; 1.8k ohms, $\pm 2\%$; 0.5W	Welwyn Electric Type MR5 (24573- 079C)	1
28	R9	5905-99-628-4601	C	RESISTOR, FIXED, FILM insulated; 2.2k ohms, $\pm 2\%$; 1/2W	M24500- 08PT 24573-081	1
29	R10	5905-99-628-4598	C	RESISTOR, FIXED, FILM insulated; 2.7k ohms, $\pm 2\%$; 1/2W	M24500-18PT 24573-083	1
30	R4	5905-99-628-4635	C	RESISTOR, FIXED, FILM insulated; 6.8k ohms, $\pm 2\%$; 1/2W	M24500- 018PT 24573-093	1

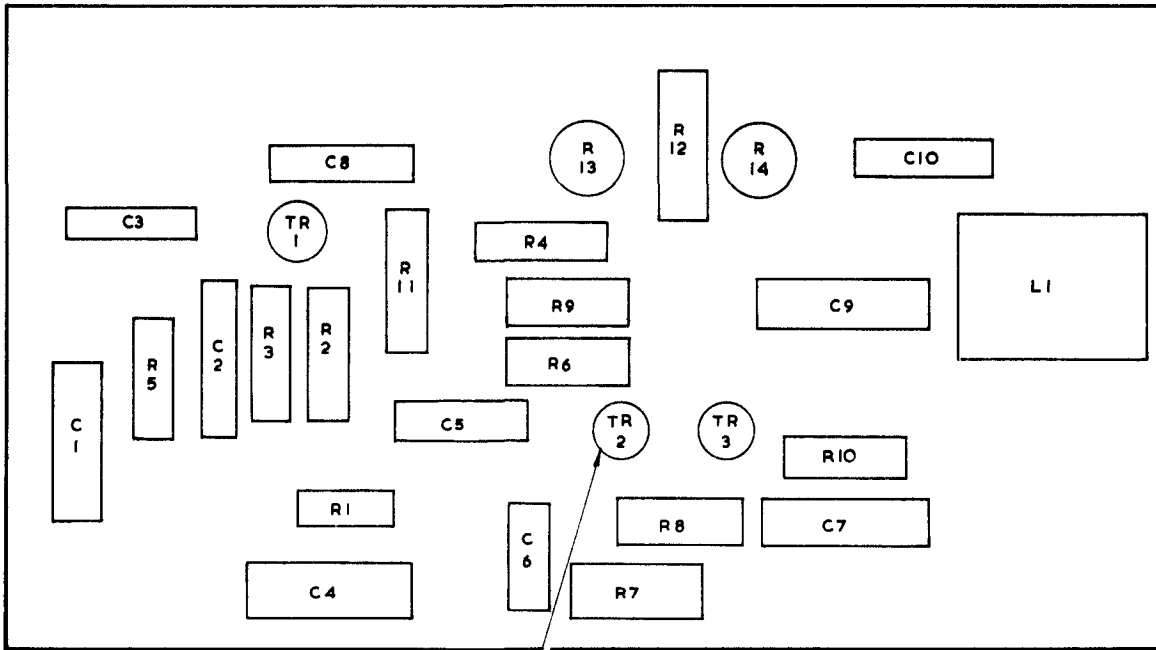
POWER SUPPLY ASSEMBLY 44990-016X

Fig. Item	Cct Ref	NATO Stock No./ Catalogue No.	Indent	Item Name and Description	Maker's Part No./ Drawing No.	No. off
1-31	R8	5905-99-199-3501	C	RESISTOR, FIXED, FILM insulated; 75k ohms, \pm 2%; 0.125W	Electrosil TR5 (24573-118R)	1
32	R11	5905-99-636-4170	C	RESISTOR, VARIABLE 220k ohms, \pm 20%; 1/2W	25611-086H	1
33	C2 C3	5910-99-625-2797	C	CAPACITOR, FIXED, ELECTROLYTIC aluminium electrode; processed foil; metal case; insulated; 100uF +100 -20%; 25V dc wkg	SD/B225698/4 (26415-813U)	2
34	C1	5910-99-636-4195	C	CAPACITOR	26415-814	1
35		5970-99-628-1734	C	INSULATOR BUSHING ceramic; 15/16in.od, 17/64 in. o/a lg one 1/16 dia holes	M23213-146PT 23213-146	2
36	D2 D3 D4	5961-99-118-2982	C	SEMICONDUCTOR DEVICE, DIODE	Texas Instruments 1N4004 (28357-028K)	3
37	D1	5961-99-118-6033	C	SEMICONDUCTOR DEVICE, DIODE	M28371-203PT 28371603H	1
38	TR1 TR2	5961-99-118-8376	C	TRANSISTOR	M28434-879PT 28434-879X	2
39		5961-99-955-8170	C	RETAINER, TRANSISTOR plastic; 0.365in.dia, 0.130in.h	A.E.I. TH4 (28488-113Y)	2

Chapter 2-3-3

PARTS LIST

6625-99-645-5720
PANEL, ELECTRONIC CIRCUIT
44825-228S



23

CIRCUIT REF	ITEM No.	CIRCUIT REF	ITEM No.
C1	15	R3	10
C2	15	R4	10
C3	15	R5	8
C4	19	R6	6
C5	15	R7	7
C6	18	R8	13
C7	17	R9	7
C8	16	R10	3
C9	14	R11	11
C10	14	R12	4
		R13	9
		R14	5
L1	2	TR1	21
R1	12	TR2	22
R2	12	TR3	20

FIG.I. PANEL, ELECTRONIC CIRCUIT.

Chapter 2-3-3

PARTS LIST

6625-99-645-5720 PANEL, ELECTRONIC CIRCUIT

Fig. Item	Cct Ref.	NATO Stock No./ Catalogue No.	Indent	Item Name and Description	Maker's Part No./ Drawing No.	No. off
1-1		6625-99-645-5720	A	PANEL, ELECTRONIC CIRCUIT board; 56mm by 152mm (approx dim.); 28 components	44825-228S	1
2	L1	5950-99-645-5721	B	INDUCTOR, RADIO FREQUENCY 750 turns; unscreened; 26mm by 35mm, 268-272mH	44290-390S	1
3	R10	5905-99-636-0223	B	RESISTOR, FIXED, FILM insulated; 220 ohms, $\pm 2\%$; 1/2W	M24500-018PT 24573-057E	1
4	R12	5905-99-625-2286	B	RESISTOR, FIXED, FILM insulated; 330 ohms, $\pm 2\%$; 1/2W	M24500-018PT 24573-061	1
5	R14	5905-99-628-5029	B	RESISTOR, VARIABLE composition; 470 ohms, $\pm 20\%$; 1/4W; linear	M25611-062PT 25611-070	1
6	R6	5905-99-628-4602	B	RESISTOR, FIXED, FILM insulated; 680 ohms, $\pm 2\%$; 1/2W	M24500-018PT 24573-069	1
7	R7 R9	5905-99-630-0966	B	RESISTOR, FIXED, FILM insulated; 1k ohm, $\pm 2\%$; 1/2W at 70 deg	M24500-018PT 24573-073W	2
8	R5	5905-99-628-4638	B	RESISTOR, FIXED, FILM insulated; 3.3k ohms, $\pm 2\%$; 1/2W	M24500-018PT 24573-085	1
9	R13	5905-99-636-4179	B	RESISTOR, VARIABLE 4.7k ohms, $\pm 20\%$; 1/4W	25611-076M	1
10	R3 R4	5905-99-624-6408	B	RESISTOR, FIXED, FILM insulated; 10k ohms, $\pm 2\%$; 1/2W	M24500-018 PT24573-097	2
11	R11	5905-99-636-2647	B	RESISTOR, FIXED, FILM 22k ohms, $\pm 2\%$; 1/2W	M24500-018PT 24573-105C	1
12	R1 R2	5905-99-631-9808	B	RESISTOR, FIXED, FILM insulated; 47k ohms, $\pm 2\%$; 1/2W	M24500-018PT 24573-113T	2

6625-99-645-5720 PANEL, ELECTRONIC CIRCUIT

Fig. Item	Cct Ref	NATO Stock No./ Catalogue No.	Incident	Item Name and Description	Maker's Part No./ Drawing No.	No. off
1-13	R8	5905-99-628-4219	B	RESISTOR, FIXED, FILM insulated; 470k ohms, \pm 2%; 1/2W	M24500- 018PT 24573-137G	1
				OR		
13 (1)	R8	5905-99-628-4353	B	RESISTOR, FIXED, FILM insulated; 330k ohms, \pm 2%; 1/2W	M24500- 018PT 24573-133N	1
				OR		
13 (2)	R8	5905-99-645-6942	B	RESISTOR, FIXED, FILM 390k ohms; \pm 2%; 1/2W; encapsulated	M24500- 018PT 24573-135J	1
				OR		
13 (3)	R8	5905-99-628-4672	B	RESISTOR, FIXED, FILM insulated; 270k ohms, \pm 2%; 1/2W	M24500- 018PT 24573-131	1
				OR		
13 (4)	R8	5905-99-645-6944	B	RESISTOR, FIXED, FILM 560k ohms, \pm 2%; 1/2W; encapsulated	M24500- 018PT 24573-139S	1
				OR		
13 (5)	R8	5905-99-624-6406	B	RESISTOR, FIXED, FILM insulated; 680k ohms, \pm 5%; 3/8W, 1/2W	M24300- 002PT 24573-141	1
				OR		
13 (6)	R8	5905-99-111-2048	B	RESISTOR, FIXED, FILM insulated; 820k ohms, \pm 2%; 0.125W	Electrosil TR5 (24573- 143N)	1
14	C9 C10	5910-99-223-5776	B	CAPACITOR, FIXED, PLASTICS DIELECTRIC foil, electrode; plastics case; 0.047uF, 1/2%; 125V dc wkg	M26516- 003PT 26516-820	2
15	C1 C2 C3 C5	5910-99-626-1092	B	CAPACITOR, FIXED, ELECTROLYTIC aluminium electrode; plain foil; metal case, insulated 47uF, +100 -20%; 63V dc wkg	580PT 26415-801 (26415- 801M)	4

6625-99-645-5720 PANEL, ELECTRONIC CIRCUIT

Fig-Item	Cct Ref	NATO Stock No./ Catalogue No.	Indent	Item Name and Description	Maker's Part No./ Drawing No.	No. off
1-16	C8	5910-99-626-2050	B	CAPACITOR, FIXED, ELECTROLYTIC aluminium electrode; plain foil; metal case; insulated; 22uF, +100 -20%; 25V dc wkg	M26410-580PT 26415-805	1
17	C7	5910-99-625-2796	B	CAPACITOR, FIXED ELECTROLYTIC aluminium electrode; processed foil; metal case; insulated; 47uF, +100 -20%; 10V dc wkg	SD/B225698/ 3 (26415-809E)	1
18	C6	5910-99-645-7867	B	CAPACITOR, FIXED, PLASTICS DIELECTRIC 1 section; plastic; 0.47uF, ± 10%; 63V dc wkg, 40V ac wkg	M26580-241 PT26582-410P	1
19	C4	5910-99-625-2797	B	CAPACITOR, FIXED, ELECTROLYTIC aluminium electrode; processed foil; metal case; insulated; 100uF +100 -20%; 250V dc wkg	SRDE SD/B225698/ 4 (26415-813U)	1
20	TR3	5961-99-118-4737	B	TRANSISTOR	M28435/ 235PT 28435/235	1
21	TR1	5961-99-118-2983	B	TRANSISTOR	M28433-487PT 28433-487	1
22	TR2	5961-99-118-5367	B	TRANSISTOR Marconi Instruments M28452-197PT 28452-197H	M28452/ 197PT 28452-197H	1
23		5961-99-631-0526	B	MOUNTING PAD, ELECTRICAL-ELECTRONIC COMPONENT nylon; 0.300in.od, 0.180in.thk	28488-115L	1

Chapter 2-3-4

PARTS LIST

ATTENUATOR
46844-003J

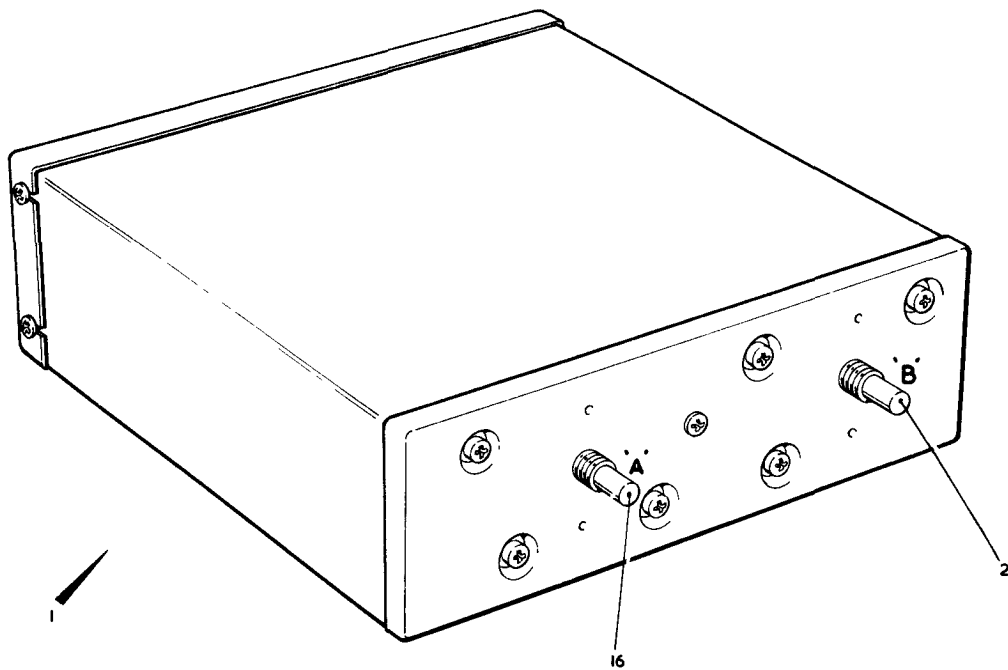
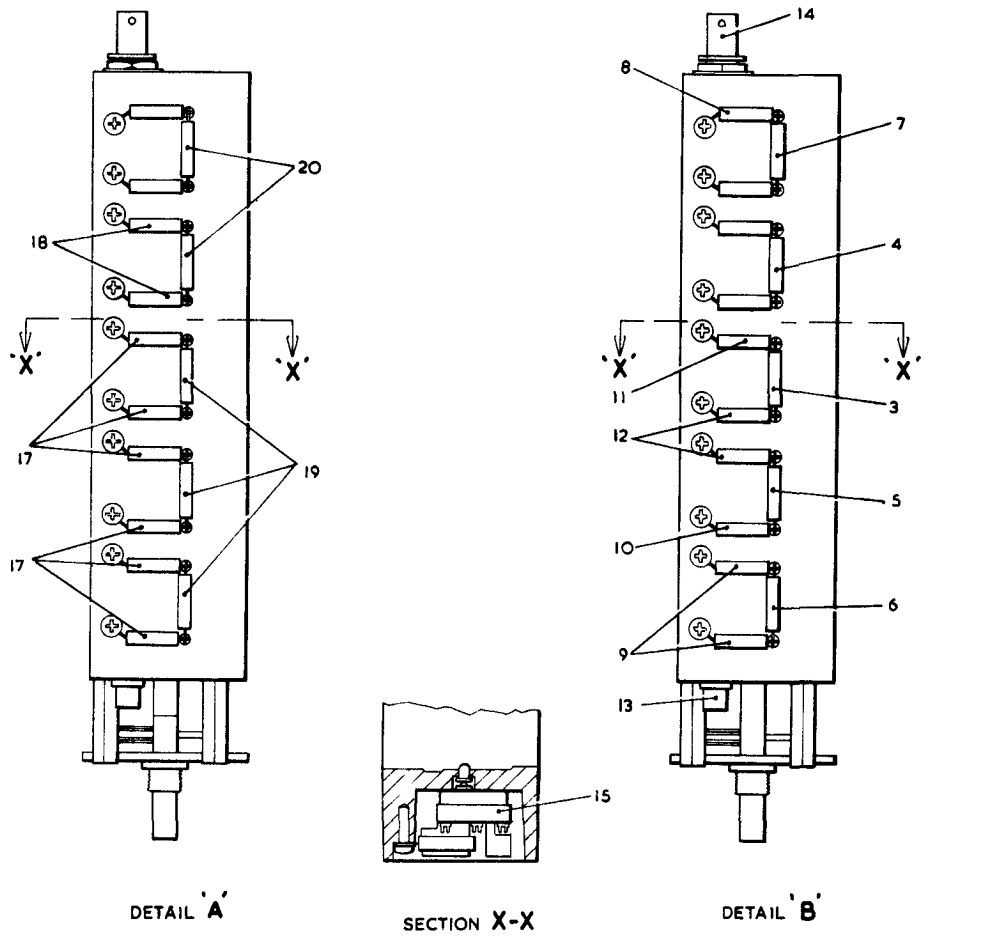


FIG. 1. ATTENUATOR

Chapter 2-3-4

PARTS LIST

ATTENUATOR 46844-003J

Fig. Item	Cct Ref.	NATO Stock No./ Catalogue No.	Indent	Item Name and Description	Maker's Part No./ Drawing No.	No. off
1-1		- - -	A	ATTENUATOR	46844-003J	1RF
2		- - -	B	ATTENUATOR 20x1(d) B (UNIT No.A28)		
3	R8	5905-99-645-9304	C	RESISTOR, FIXED, FILM 5.77 ohms; \pm 1%; 1/4W; encapsulated	M24600- 032PT 24636-032X	1
4	R11	5905-99-645-9306	C	RESISTOR, FIXED, FILM 11.6 ohms, \pm 1%; 1/4W; encapsulated	M24600- 032PT 24636-113H	1
5	R5	5905-99-645-9302	C	RESISTOR, FIXED, FILM 17.6 ohms, \pm 1%; 1/4W; encapsulated	M24600- 038PT 24636-109Z	1
6	R2	5905-99-645-9300	C	RESISTOR, FIXED, FILM 37.3 ohms; \pm 1%; 1/4W; encapsulated	M24600- 038PT 24636-224J	1
7	R14	5905-99-645-9308	C	RESISTOR, FIXED, FILM 71.2 ohms; \pm 1%; 1/4W; encapsulated	M24600- 038PT 24636-368T	1
8	R13 R15	5905-99-645-9307	C	RESISTOR, FIXED, FILM 96.3 ohms, \pm 1%; 1/4W; encapsulated	M24600- 038PT 24636-494L	2
9	R1 R3	5905-99-645-9299	C	RESISTOR, FIXED, FILM 150 ohms, \pm 1%; 1/4W; encapsulated	M24600- 038PT 24636-613T	2
10	R4 R6	5905-99-645-9301	C	RESISTOR, FIXED, FILM 292 ohms, \pm 1%; 1/4W; encapsulated	M24600- 038PT 24636-710G	2
11	R10 R12	5905-99-645-9305	C	RESISTOR, FIXED, FILM 436 ohms, \pm 1%; 1/4W; encapsulated	M24600- 038PT 24636-711V	2
12	R7 R9	5905-99-645-9303	C	RESISTOR, FIXED, FILM 870 ohms, \pm 1%; 1/4W; encapsulated	M24600- 038PT 24636-905U	2

ATTENUATOR 46844-003J

Fig. Item	Cct Ref	NATO Stock No./ Catalogue No.	Indent	Item Name and Description	Maker's Part No./ Drawing No.	No. off
1-13	SKT5 SKT6	5935-99-102-3140	C	SOCKET, ELECTRICAL fixed; brass, flange mtd; 50 ohms, 500V ac, male shell; bayonet locking	Green Par Engr. GE95012	2
14	SKT1 SKT4	5935-99-645-7870	C	SOCKET, ELECTRICAL fixed; metallic; single through hole mtg; 1 pole; male shell	M23443- 445NSA PT23443- 445Z	2
15		5930-99-956-1507	C	SWITCH, SENSITIVE plunger type; spdt;	Honeywell Controls 11SM234 (23483-131)	10
16	- - -	- - -	B	ATTENUATOR 6x20(d) B (UNIT A27)	44426-009	1RF
17	R7 R9 R10 R12 R13 R15	5905-99-645-9309	C	RESISTOR, FIXED, FILM 61 ohms; \pm 0.5%; 1/4W; encapsulated	M24600- 037PT 24634-354L	6
18	R1 R3 R4 R6	5905-99-645-9311	C	RESISTOR, FIXED, FILM 53.3 ohms, \pm 5%; 1/4W; encapsulated	M24600-037 PT24634- 348U	4
19	R8 R11	5905-99-645-9310	C	RESISTOR, FIXED, FILM 247 ohms, \pm 0.5%; 1/4W; encapsulated	M24600- 037PT 24634-606D	2
20		5905-99-645-9312	C	RESISTOR, FIXED, FILM 790 ohms, \pm 0.5%; 1/4W; encapsulated	M24600- 037PT 24634-805F	2

Chapter 3

**INDEX OF NATO STOCK NUMBERS OR CATALOGUE NUMBERS
TO MANAGEMENT CODE, MAKER'S PART NUMBERS/DRAWING NUMBERS,
MAINTENANCE CODE/CLASS OF STORE, CHAPTER AND FIGURE-ITEM NUMBERS**

Chapter 3

INDEX OF NATO STOCK NUMBERS OR CATALOGUE NUMBERS
TO MANAGEMENT CODE, MAKER'S PART NUMBERS/DRAWING NUMBERS,
MAINTENANCE CODE/CLASS OF STORE, CHAPTER AND FIGURE-ITEM NUMBERS

SIGNAL GENERATOR TF2002B

NATO Stock No./ Catalogue No.	Man. Code			Maker's Part No./ Drawing No.	Maint. Code	Class of Store	Chapter and Fig. Item No.
	RN	Army	RAF		RN	RAF	
5325-14-266-8846		Z4		G51HB C18280-110W			2-1/1-25
5950-99-001-1710		Z37		TM7666/2			2-2-9/1-45
5910-99-001-2951		Z31		PMX42 26582-234T			2-2-6/1-41 2-2-7/1-11
5905-99-013-5847		Z30		BS9111-N-002			2-2-1/1-30
5905-99-013-5962		Z30		BS9111-N-002			2-2-1/1-26
5905-99-013-6189		Z30		Electrosil TR4 Welwyn MR4 ITT/Erie MO4			2-2-6/1-3 2-2-9/1-28 2-2-12/1-6
5905-99-013-6197		Z30		Electrosil TR4 Welwyn MR4 ITT/Erie MO4			2-2-5/1-26 2-2-6/1-4 2-2-9/1-29 2-2-12/1-7
5905-99-013-6199		Z30		Electrosil TR4 Welwyn MR4 ITT/Erie MO4			2-2-9/1-6
5905-99-013-6203		Z30		Electrosil TR4 Welwyn MR4 ITT/Erie MO4			2-2-12/1-9
5905-99-013-6206		Z30		Electrosil TR4 Welwyn MR4 ITT/Erie MO4			2-2-12/1-10
5905-99-013-6210		Z30		Electrosil TR4 Welwyn MR4 ITT/Erie MO4			2-2-12/1-11
5905-99-013-6213		Z30		Electrosil TR4 Welwyn MR4 ITT/Erie MO4			2-2-6/1-6 2-2-9/1-30 2-2-12/1-12
5905-99-013-6217		Z30		Electrosil TR4 Welwyn MR4 ITT/Erie MO4			2-2-12/1-13

SIGNAL GENERATOR TF2002B

NATO Stock No./ Catalogue No.	Man. Code			Maker's Part No./ Drawing No.	Maint. Code	Class of Store	Chapter and Fig. Item No.
	RN	Army	RAF		RN	RAF	
5905-99-013-6228		Z30		Electrosil TR4 Welwyn MR4 ITT/Erie MO4			2-2-12/1-17
5905-99-013-6233		Z30		Electrosil TR4 Welwyn MR4 ITT/Erie MO4			2-2-5/1-9 2-2-5/1-26 2-2-9/1-7 2-2-9/1-31
5905-99-013-6237		Z30		Electrosil TR4 Welwyn MR4 ITT/Erie MO4			2-2-12/1-20
5905-99-013-6243		Z30		Electrosil TR4 Welwyn MR4 ITT/Erie MO4			2-2-12/1-21
5905-99-013-6244		Z30		Electrosil TR4 Welwyn MR4 ITT/Erie MO4			2-2-12/1-22
5905-99-013-6245		Z30		Electrosil TR4 Welwyn MR4 ITT/Erie MO4			2-2-6/1-14 2-2-12/1-23
5905-99-013-6249		Z30		Electrosil TR4 Welwyn MR4 ITT/Erie MO4			2-2-6/1-15 2-2-12/1-24
5905-99-013-6253		Z30		Electrosil TR4 Welwyn MR4 ITT/Erie MO4			2-2-5/1-27 2-2-6/1-17 2-2-9/1-32 2-2-12/1-25
5905-99-013-6254		Z30		Electrosil TR4 Welwyn MR4 ITT/Erie MO4			2-2-12/1-26
5905-99-013-6257		Z30		Electrosil TR4 Welwyn MR4 ITT/Erie MO4			2-2-6/1-20 2-2-9/1-8
5905-99-013-6261		Z30		Electrosil TR4 Welwyn MR4 ITT/Erie MO4			2-2-5/1-10 2-2-6/1-21 2-2-9/1-9 2-2-12/1-27
5905-99-013-6262		Z30		Electrosil TR4 Welwyn MR4 ITT/Erie MO4			2-2-6/1-22
5905-99-013-6263		Z30		Electrosil TR4 Welwyn MR4 ITT/Erie MO4			2-2-5/1-28 2-2-6/1-23 2-2-12/1-28

SIGNAL GENERATOR TF2002B

NATO Stock No./ Catalogue No.	Man. Code			Maker's Part No./ Drawing No.	Maint. Code	Class of Store	Chapter and Fig. Item No.
	RN	Army	RAF				
5905-99-013-6265		Z30		Electrosil TR4 Welwyn MR4 ITT/Erie MO4			2-2-6/1-24
5905-99-013-6267		Z30		Electrosil TR4 Welwyn MR4 ITT/Erie MO4			2-2-5/1-11
5905-99-013-6269		Z30		Electrosil TR4 Welwyn MR4 ITT/Erie MO4			2-2-6/1-25
5905-99-013-6273		Z30		Electrosil TR4 Welwyn MR4 ITT/Erie MO4			2-2-6/1-27
5905-99-013-6277		Z30		Electrosil TR4 Welwyn MR4 ITT/Erie MO4			2-2-6/1-26
5905-99-013-6281		Z30		Electrosil TR4 Welwyn MR4 ITT/Erie MO4			2-2-6/1-29
5905-99-013-6285		Z30		Electrosil TR4 Welwyn MR4 ITT/Erie MO4			2-2-5/1-12 2-2-5/1-29 2-2-6/1-31 2-2-9/1-10 2-2-9/1-33
5961-99-037-5033		Z42		HG1005 28323-035N			2-2-6/1-50 2-3-1/1-34
5935-99-102-3140		Z32		GE95012			2-2-4/1-13
5955-99-103-4722		Z4		TB39842 35527-710			2-2-11/1-61
5910-99-105-2180		Z31		PF82 26516-222P			2-2-2/1-22 (3) 2-2-11/1-35
5935-99-107-1914		Z32		J12/RT/DEF5000 23421-662F			2-3/1-18
5950-99-107-3062		Z37		TM7761/1 44233-901J			2-2-5/1-3 2-2-8/1-23
5910-99-107-5336		Z31		K120051/361 26373-609F			2-2-11/1-4
5910-99-109-3352		Z31		26516-327			2-2-6/1-36 2-2-7/1-8 (1) 2-2-8/1-20 2-2-11/1-40

SIGNAL GENERATOR TF2002B

NATO Stock No./ Catalogue No.	Man. Code			Maker's Part No./ Drawing No.	Maint. Code	Class of Store	Chapter and Fig. Item No.
	RN	Army	RAF				
					RN	RAF	
5905-99-111-2048		Z30		TR5 24573-143N			2-2/1-39 2-3-3/1-13 (6)
5905-99-112-0109		Z30		TR5 24573-052B			2-2-1/1-35
5920-99-112-3702		Z32		M23411-056PT 23411-056			2-3-2/1-11
5910-99-112-5113		Z31		M26400-004PT 26427-134			2-3-2/1-17
5920-99-112-6181		Z32		M23416-191PT 23416-191			2-3-2/1-12
5999-99-112-7302		Z42		3460-33-2 23642-485G			2-2-3/1-16 2-2-8/2-16
5950-99-112-9743		Z37		B44223-203A			2-2-5/1-42
5905-99-113-1326		Z30		Type 4014 24755-481C			2-2/1-14
5905-99-113-6647		Z30		MR5 24573-119B			2-1/1-32 2-2-4/1-24
5905-99-113-6656		Z30		MR5 24573-035G			2-2-1/1-21
5905-99-113-6657		Z30		MR5 24573-137G			2-3-1/1-18 (2)
5905-99-113-7027		Z30		MR5 24573-050C			2-2-1/1-33
5970-99-114-0554		Z42		TO3 28488-201X			2-3-2/1-20
5910-99-114-2982		Z31		XD 26324-709S			2-2-5/1-31 (1) 2-2-9/1-11
5905-99-115-2563		Z30		TR5 24573-058U			2-2-1/1-41

SIGNAL GENERATOR TF2002B

NATO Stock No./ Catalogue No.	Man. Code			Maker's Part No./ Drawing No.	Maint. Code	Class of Store	Chapter and Fig. Item No.
	RN	Army	RAF				
	5961-99-118-5367		Z42			M28452-197PT 28452-197H	
5961-99-118-6033		Z42		M28371-203PT 28371-603H			2-3-2/1-37
5961-99-118-6036		Z42		M28371-203PT 28371-434Y			2-2-6/1-46
5961-99-118-6038		Z42		M28459-011PT 28459-011S			2-1-1/1-20
5961-99-118-6040		Z42		M28459-019PT 28459-019R			2-2-12/ 1-43
5962-99-118-6042		Z42		M28461-312PT 28461-312R			2-1-2/1-6 2-2-6/1-56 2-3-1/1-31
5962-99-118-6044		Z42		28461-901A			2-2-6/1-55
5962-99-118-8340		Z42		M28480-804NSA PT28488-048G			2-2-6/1-57
5961-99-118-8341		Z42		M28488-065PT 28488-065B			2-2-12/ 1-46
5961-99-118-8372		Z42		M28459-024PT 28459-024K			2-2-5/1-6 2-2-5/1-39 2-2-9/1-22 2-2-9/1-42
5961-99-118-8373		Z42		M28452-771PT 28452-771P			2-2-11/ 1-52
5961-99-118-8374		Z42		M28349-007NSA PT28349-007E			2-2-6/1-49
5961-99-118-8376		Z42		M28434-879PT 28434-879X			2-3-2/1-38

SIGNAL GENERATOR TF2002B

NATO Stock No./ Catalogue No.	Man. Code			Maker's Part No./ Drawing No.	Maint. Code	Class of Store	Chapter and Fig. Item No.
	RN	Army	RAF				
					RN	RAF	
5905-99-119-3965		Z30		M24500-018PT 24573-039D			2-2-1/1-25
5910-99-119-5637		Z31		N750BD 26324-897H			2-2-5/ 1-13(2) 2-2-9/ 1-11(3)
5910-99-119-5663		Z31		26516-145			2-2-11/ 1-72
5910-99-119-5670		Z31		26516-264			2-2-11/ 1-37
5910-99-141-0569		Z31		TROPYFOL M 26511-319G			2-2-4/1-27
5950-99-192-8168		Z37		3635-37			2-2-2/1-7
5305-99-193-0863		Z4		TA19048/2 33563-112Z			2-0/1-13
5910-99-193-7613		Z31		G14F 26272-036K			2-2-5/1-15 2-2-9/1-36
5910-99-193-7622		Z31		G14F 26272-315Z			2-2-5/1-35
5910-99-193-7629		Z31		G14F 26272-107A			2-2-5/1-17 2-2-9/1-15
5905-99-195-9975		Z30		MR5 24573-079C			2-3-2/1-27
5950-99-198-1433		Z37		TM7156/5			2-2-8/1-15 2-2-9/1-5
5905-99-199-3501		Z30		TR5 24573-118R			2-3-2/1-31
5905-99-220-8178		Z30		TR5 24573-072S			2-2-4/1-7
5935-99-221-6667		Z32		XS18 C23435-293V			2-1/1-27
5905-99-221-6670		Z30		C21 24138-724N			2-3/1-31

SIGNAL GENERATOR TF2002B

NATO Stock No./ Catalogue No.	Man. Code			Maker's Part No./ Drawing No.	Maint. Code	Class of Store	Chapter and Fig. Item No.
	RN	Army	RAF				
	5905-99-221-6671		Z30			BS9111-N-016 Style KZ 24138-728G	
5905-99-221-6672		Z30		C21 24138-734N			2-3/1-33
5905-99-221-6673		Z30		BS9111-N-016 Style KZ 24138-785E			2-3/1-34
6625-99-221-6679		Z1		TM4726/325			2-3/1-24
6625-99-221-6680		Z1		TM4726/327			2-3/1-25
6625-99-221-6681		Z1		TM4726/326			2-3/1-21
6625-99-221-6684		Z1		TC37860/24			2-3/1-9
6625-99-221-6685		Z1		TC37860/25			2-3/1-11
6625-99-221-6686		Z1		TC37860/21			2-3/1-17
6625-99-221-6687		Z1		TC37860/22			2-1/1-11
6625-99-221-6690		Z4		TM7520			2-2/1-32
5355-99-221-6796		Z4		TM6890/5			2-3/1-3
6625-99-221-6805		Z4		TM7314 41335-0152			2-2-1/1-9
5355-99-221-7053		Z2		TM7033/5			2-3/1-4
5910-99-223-0722		Z31		N750-361 26333-308G			2-2-11/1-3
5910-99-223-1110		Z31		C14F 26272-387N			2-2-5/1-33 (1)
5905-99-223-3321		Z37		58-10-009-10 23642-553J			2-2-6/1-2
5910-99-223-5776		Z31		M26516-003PT 26516-820			2-3-3/1-14
5325-99-468-9952		HA		23187/232M			2-1/1-22 2-3/1-35

SIGNAL GENERATOR TF2002B

NATO Stock No./ Catalogue No.	Man. Code			Maker's Part No./ Drawing No.	Maint. Code	Class of Store	Chapter and Fig. Item No.
	RN	Army	RAF				
	5905-99-520-2371		Z30			TR5 24573-038W	
5910-99-523-4953		Z31		TROPYFOL M 26511-330T			2-2-4/1-28 2-2-10/1-28
5910-99-523-4957		Z31		TROPYFOL M 26511-367R			2-2-10/1-14
5935-99-580-0061		Z32		X2/UG 28313-604X			2-2-11/1-63
5910-99-580-7192		Z31		PF820 26516-462X			2-2-2/1-12 2-2-4/1-31 (2) 2-2-6/1-36 (3) 2-2-11/1-85
5910-99-580-7199		W20		PF27 26516-108G			2-2-8/1-12 (3) 2-2-10/1-15 2-2-11/1-34
5940-99-618-1030		Z37		M23235-174PT 23235-177			2-3/1-2 2-3-2/1-6
5905-99-618-1138		Z30		TR5 24573-036V			2-2-1/1-22
5905-99-618-1425		Z30		MR5 24573-034F			2-2-1/1-20
5910-99-618-4021		Z31		M26550-541PT 26555-463S			2-2-11/1-48
5940-99-618-4077		Z37		M23210-154PT 23211-546F			2-2/1-13
5910-99-619-0782		Z31		26324-868Y			2-2-9/1-11 (2)
5910-99-619-0783		Z31		26582-232			2-2-7/1-10
5905-99-620-1628		Z30		MR25 24773-257W			2-2-6/1-7 (2)

SIGNAL GENERATOR TF2002B

NATO Stock No./ Catalogue No.	Man. Code			Maker's Part No./ Drawing No.	Maint. Code		Chapter and Fig- Item No.
	RN	Army	RAF		Maint. Code	Class of Store	
					RN	RAF	
5910-99-620-5689		Z31		34441333 26582-205M			2-2-2/1-10 2-2-10/1-32
6625-99-620-9396		Z4		044823-315E			2-2-5/1-24
5305-99-624-0226		Z4		TA19048/1 33563-110A			2-0/1-12
5905-99-624-6402		Z30		M24500-018PT 24573-095			2-1-2/1-18 2-3-1/1-12
5905-99-624-6406		Z30		M24300-002PT 24573-141			2-3-1/1-18 (1) 2-3-3/1-13 (5)
5905-99-624-6408		Z30		M24500-018PT 24573-097			2-1/1-31 2-1-1/1-9 2-3-1/1-13 2-3-3/1-10
5910-99-624-6769		Z31		M26324-795PT 26324-822			2-2-5/1-13 (1)
5910-99-624-6779		Z31		M26333-151PT 26373-665			2-2-11/1-5
5905-99-624-6784		Z30		M24770-321PT 24773-305			2-2-10/1-10
5905-99-624-6787		Z30		M24770-321PT 24773-297			2-2-6/1-16 (3)
5905-99-624-6788		Z30		M24770-321PT 24773-295			2-2-6/1-16 (2)
5905-99-624-6790		Z30		M24770-321PT 24773-289			2-2-6/1-16
5905-99-624-6791		Z30		M24770-321PT 24773-285			2-2-10/1-8
5905-99-624-6792		Z30		M24770-321PT 24773-273			2-2-6/1-10 (2) 2-2-6/1-11 2-2-10/1-6
5905-99-624-6795		Z30		M24770-321PT 24773-281			2-2-6/1-13 (2)

SIGNAL GENERATOR TF2002B

NATO Stock No./ Catalogue No.	Man. Code			Maker's Part No./ Drawing No.	Maint. Code	Class of Store	Chapter and Fig.- Item No.
	RN	Army	RAF				
	RN	RAF					
5905-99-625-2286		Z30		M24500-018PT 24573-061			2-2-11/1-20 2-3-1/1-3 2-3-3/1-4
5935-99-625-2739		Z32		M23443-591PT 23443-591			2-3/1-22
5910-99-625-2741		Z31		M26516-003PT 26516-287			2-2-11/3-38
5910-99-625-2796		Z31		SD/B225698/3 26415-809E			2-2-6/1-42 2-3-3/1-17
5910-99-625-2797		Z31		SD/B225698/4 26415-813U			2-3-1/1-28 2-3-2/1-33 2-3-3/1-19
5905-99-625-4429		Z30		M24300-001PT 24311-945Y			2-2-12/1-31
5355-99-625-7127		Z4		TB3755/3			2-3/1-13
5355-99-625-7129		Z4		041146-015			2-2/1-3
5930-99-625-7131		Z32		M23462-252PT 23462-258D			2-1/1-19
5905-99-625-7144		Z30		M24500-013PT 24511-558P			2-2-12/1-14
5905-99-625-7145		Z30		M24500-013PT 24511-563			2-2-12/1-15
5910-99-625-7153		Z31		M26516-003PT 26516-597			2-2-4/1-33
5910-99-625-7155		Z31		M26516-003PT 26516-028E			2-2-3/1-13 (4) 2-2-8/1-12 (2)
5905-99-625-9983		Z30		M24500-018PT 24573-101			2-2/1-38 2-3-1/1-14
5910-99-626-1092		Z31		580PT26415-801 26415-801M			2-1/1-9 2-2-10/1-13 2-3-1/1-26 2-3-3/1-15

SIGNAL GENERATOR TF2002B

NATO Stock No./ Catalogue No.	Man. Code			Maker's Part No./ Drawing No.	Maint. Code	Class of Store	Chapter and Fig- Item No.
	RN	Army	RAF				
	5905-99-626-1099		Z30			M24500-018PT 24573-121	
5910-99-626-1292		Z31		M16410-580PT 26415-822G			2-1-1/1-17
5905-99-626-1981		Z30		M24500-018PT 24573-055Z			2-2-1/1-38 2-2-11/1-19
5910-99-626-2050		Z31		M26410-580PT 26415-805			2-3-3/1-16
5905-99-628-1525		Z30		M25611-062PT 25611-084			2-1-1/1-14
5905-99-628-1566		Z30		M25611-062PT 25611-074			2-1-1/1-6
5970-99-628-1734		Z42		M23213-146PT 23213-146			2-3-2/2-35
5950-99-628-2609		Z37		M23642-313PT 23642-313			2-2-3/1-7
5910-99-628-2610		Z31		M26383-131PT 26383-136 T			2-2-6/1-37 2-2-12/1-34
5910-99-628-2626		Z31		M26383-131PT 26383-134			2-2-3/1-19 (1)
6625-99-628-2649		Z4		D35852-119T			2-0/1-2
6625-99-628-2650		Z4		TD46542 37574-109Y			2-0/1-4
5910-99-628-4193		Z31		M26516-003PT 26516-014			2-2-3/1-13 2-2-11/1-71
5910-99-628-4199		Z31		M26516-003PT 26516-481L			2-1-1/1-15 2-2-2/1-8 2-2-4/1-31 2-2-5/1-19 2-2-8/1-10 Cont/...

SIGNAL GENERATOR TF2002B

NATO Stock No./ Catalogue No.	Man. Code			Maker's Part No./ Drawing No.	Maint. Code		Chapter and Fig. Item No.
	RN	Army	RAF		RN	RAF	
5910-99-628-4199 Cont.		Z31		M26516-003PT 26516-481L			2-2-9/1-16 2-2-10/1-31 2-2-11/1-43
5910-99-628-4201		Z30		M26516-003PT 26516-181W			2-2-2/1-22 (2) 2-2-3/1-9 2-2-8/1-8
5910-99-628-4202		Z31		M26340-316PT 26343-163N			2-2-9/1-38
5910-99-628-4203		Z31		M26486-203PT 26486-219			2-1-2/1-28 2-2-6/1-44 2-2-12/1-37
5910-99-628-4204		Z31		M26516-003PT 26516-444Y			2-2-3/1-11 2-2-6/1-36 (2) 2-2-10/1-30 (1)
5910-99-628-4207		Z31		M26340-316PT 26343-167G			2-2-6/1-35 2-2-12/1-33
5910-99-628-4208		Z31		M26340-312PT 26343-120B			2-2-6/1-33 2-2-12/1-32
5910-99-628-4216		Z31		M26340-315PT 26343-160E			2-2-3/1-19
5910-99-628-4218		Z31		M26340-314PT 26343-146M			2-2-3/1-18 2-2-6/1-34
5903-99-628-4219		Z30		M24500-018PT 24573-137G			2-3-1/1-18 2-3-3/1-13
5910-99-628-4225		Z31		M26340-313PT 26343-134			2-1-2/1-30 2-3-1/1-21
5910-99-628-4230		Z31		M26340-310PT 26343-106			2-2-6/1-32
5910-99-628-4232		Z31		M26511-339PT 26511-349			2-2-4/1-29

SIGNAL GENERATOR TF2002B

NATO Stock No./ Catalogue No.	Man. Code			Maker's Part No./ Drawing No.	Maint. Code	Class of Store	Chapter and Fig. Item No.
	RN	Army	RAF				
	5910-99-628-4240		Z31			M26516-003PT 26516-369E	
5905-99-628-4353		Z30		M24500-018PT 24573-133N			2-2-1/1-17 (1) 2-3-3/1-13 (1)
5905-99-628-4591		Z30		M24770-321PT 24773-271			2-2-6/1-10 (1)
5905-99-628-4592		Z30		M24500-018PT 24573-037S			2-1-1/1-2 2-2-1/1-23
5905-99-628-4593		Z30		M24770-321PT 24773-275			2-2-6/1-10 (3)
5905-99-628-4594		Z30		M24500-018PT 24573-089			2-2-10/1-25 2-2-11/1-27 2-3-1/1-8 2-3-1/1-9
5905-99-628-4595		Z30		M24500-018PT 24573-107			2-1-2/1-23 2-3-1/1-15 (1)
5905-99-628-4598		Z30		M24500-018PT 24573-083			2-1-2/1-15 2-3-2/1-29
5905-99-628-4601		Z30		M24500-08PT 24573-081			2-1-2/1-13 2-2-11/1-25 2-3-2/1-28
5905-99-628-4602		Z30		M24500-018PT 24573-069			2-1-1/1-5 2-1-2/1-10 2-2-11/1-23 2-3-1/1-5 2-3-3/1-6
5905-99-628-4604		Z30		M24500-018PT 24573-065			2-2-10/1-21 2-2-11/1-21 2-3-1/1-4
5905-99-628-4607		Z30		M24770-321PT 24773-299			2-2-6/1-16 (4)

SIGNAL GENERATOR TF2002B

NATO Stock No./ Catalogue No.	Man. Code			Maker's Part No./ Drawing No.	Maint. Code	Class of Store	Chapter and Fig- Item No.
	RN	Army	RAF		RN	RAF	
5905-99-628-4614		Z30		M24500-081PT 24573-041W			2-1-1/1-3 2-2-1/1-27 2-2-11/1-16
5905-99-628-4625		Z30		M24770-321PT 24773-317			2-2-6/1-30
5905-99-628-4628		Z30		M24770-321PT 24773-293			2-2-6/1-16 (1) 2-2-10/1-9
5905-99-628-4633		Z30		M24770-321PT 24773-279			2-2-6/1-13 (1)
5905-99-628-4635		Z30		M24500-018PT 24573-093			2-2-4/1-22 2-3-1/1-8 (1) 2-3-2/1-30
5905-99-628-4637		Z30		M24500-018PT 24573-047			2-2-1/1-31
5905-99-628-4638		Z30		M24500-018PT 24573-085			2-1-2/1-14 2-2-4/1-9 2-2-4/1-21 2-2-10/1-24 2-3-3/1-8
5905-99-628-4641		Z30		M24500-018PT 24573-045x			2-2-1/1-29
5905-99-628-4648		Z30		M24500-018PT 24573-125z			2-2-1/1-16 (2) 2-2-1/1-17 2-2-5/1-30 2-2-9/1-34
5905-99-628-4649		Z30		M24500-018PT 24573-054			2-2-1/1-37
5905-99-628-4653		Z30		M24500-018PT 24573-067			2-2-11/1-22 2-3-2/1-5
5905-99-628-4672		Z30		M24500-018PT 24573-131			2-2-1/1-18 2-3-3/1-13 (3)

SIGNAL GENERATOR TF2002B

NATO Stock No./ Catalogue No.	Man. Code			Maker's Part No./ Drawing No.	Maint. Code		Chapter and Fig- Item No.
	RN	Army	RAF		Maint. Code	Class of Store	
					RN	RAF	
5905-99-628-4674		Z30		M24500-018PT 24573-044P			2-2-1/1-28 (1)
5905-99-628-4683		Z30		M24770-321PT 24773-321L			2-2-12/1-29
5910-99-628-5003		Z31		M26383-303PT 26383-018			2-1-2/1-31 2-2-6/1-43
5910-99-628-5005		Z31		M26516-003PT 26516-254			2-2-11/1-36
5905-99-628-5007		Z30		M24500-002PT 24616-321Z			2-2-6/1-5
5905-99-628-5010		Z30		M25811-010PT 25811-019			2-3-1/1-6
5905-99-628-5013		Z30		M25811-010PT 25811-017			2-3-2/1-25
5905-99-628-5014		Z30		M25811-010PT 25811-023			2-1-2/1-16
5905-99-628-5022		Z31		M26324-005PT 26324-017			2-2-5/1-31
5905-99-628-5026		Z30		M24500-018PT 24573-042D			2-2-1/1-28
5910-99-628-5027		Z31		M26324-706PT 26324-712			2-2-5/1-13 2-2-5/1-31 (2)
5905-99-628-5029		Z30		M25611-062PT 25611-070			2-1-2/1-9 2-3-3/1-5
5905-99-628-6994		Z30		M24500-018PT 24573-103			2-3-1/1-15
5905-99-628-6995		Z30		M24500-018PT 24573-090Z			2-1-1/1-7 2-2-11/1-28
5910-99-628-7207		Z31		M26516-003PT 26516-718Y			2-2-11/1-47

SIGNAL GENERATOR TF2002B

NATO Stock No./ Catalogue No.	Man. Code			Maker's Part No./ Drawing No.	Maint. Code	Class of Store	Chapter and Fig- Item No.
	RN	Army	RAF				
	5910-99-628-7208		Z31			M26516-003PT 26516-591S	
5910-99-628-7209		Z31		M26516-003PT 26516-303Z			2-2-8/1-19 2-2-11/1-39
5910-99-628-7210		Z31		M26816-234PT 26816-236H			2-2-11/1-31
5905-99-628-7211		Z30		M24500-018PT 24573-025			2-1-2/1-7 2-2-11/1-15 2-3-1/1-2
5905-99-628-7212		Z30		M24500-018PT 24573-080X			2-1-2/1-12 2-2-11/1-24
5905-99-628-8870		Z37		B44264-210M			2-2-11/1-10
5905-99-628-8871		Z37		B44227-019V			2-2-11/1-12
5950-99-628-9880		Z31		B44266-217K			2-2-11/1-11
5905-99-628-9883		Z30		M24500-020PT 2458-555Y			2-2-11/1-14
5910-99-630-0376		Z31		TROPYFOL M 26511-324S			2-2-4/1-27 (1)
5905-99-630-0964		Z30		M24500-018PT 24573-053K			2-1-2/1-8 2-2-1/1-36
5905-99-630-0965		Z30		M24500-018PT 24573-063N			2-3-1/1-3 (1)
5905-99-630-0966		Z30		M24500-018PT 24573-073W			2-1-2/1-11 2-2-4/1-8 2-2-4/1-19 2-2-10/1-22 2-3-1/1-7 2-3-2/1-26 2-3-3/1-7
5905-99-630-0967		Z30		M24500-018PT 24573-087Z			2-2-11/1-26 2-3-2/1-23
5930-99-630-1590		Z32		M234-62-252 23462-252			2-1/1-2

SIGNAL GENERATOR TF2002B

NATO Stock No./ Catalogue No.	Man. Code			Maker's Part No./ Drawing No.	Maint. Code	Class of Store	Chapter and Fig. Item No.
	RN	Army	RAF				
	5910-99-630-3400		Z31			M26516-003PT 26516-564X	
5905-99-630-3516		Z30		M24770-321PT 24773-253F			2-2-6/1-7
5905-99-630-3517		Z30		M24770-321PT 24773-261D			2-2-6/1-8
5905-99-630-3518		Z30		M24770-321PT 24773-265M			2-2-6/1-8 (2) 2-2-6/1-9
5905-99-630-3519		Z30		M24770-321PT 24773-269K			2-2-6/1-10
5905-99-630-3524		Z30		M24770-321PT 24773-283L			2-2-6/1-13 (3)
5905-99-631-0507		Z37		M23640-254 23642-565X			2-2-11/1-13
5905-99-631-0522		Z30		M24500-018 24573-106V			2-1-2/1-22 2-2-11/1-30
5910-99-631-0524		Z31		M26324-706PT 26324-715T			2-2-11/1-32
5961-99-631-0526		Z42		28488-115L			2-1-1/1-22 2-1-2/1-2 2-2-4/1-15 2-2-4/1-35 2-2-5/1-8 2-2-6/1-54 2-2-9/1-24 2-2-10/1-18 2-2-10/1-34 2-2-11/1-59 2-2-12/1-45 2-3-1/1-19 2-3-1/1-23 2-3-3/1-23
5910-99-631-3456		Z31		ITT TAA 26488-212N			2-1-2/1-29

SIGNAL GENERATOR TF2002B

NATO Stock No./ Catalogue No.	Man. Code			Maker's Part No./ Drawing No.	Maint. Code	Class of Store	Chapter and Fig- Item No.
	RN	Army	RAF		RN	RAF	
5910-99-631-6465		Z31		M26516-003PT 26516-018C			2-2-3/1-13 (3) 2-2-8/1-12 (1)
5305-99-631-6550		Z4		PT21315-132			2-2/1-6
5910-99-631-9677		Z31		M26410-580PT 26415-817J			2-1-2/1-33
5905-99-631-9805		Z30		M24500-018PT 24573-091H			2-1-1/1-8 2-3-1/1-11
5905-99-631-9807		Z30		M24500-018PT 24573-109D			2-2-1/1-15 (2) 2-3-1/1-17
5905-99-631-9808		Z30		M24500-018PT 24573-113T			2-1-1/1-12 2-1-2/1-24 2-2-1/1-15 (1) 2-3-1/1-15 (2) 2-3-3/1-12
5905-99-632-0384		Z30		MR5 120 ohms 24573-051R			2-2-1/1-34
5950-99-632-3520		Z37		26342-325P			2-2-2/1-16 2-2-5/1-43 2-2-8/1-22 2-2-9/1-26 2-2-12/1-2
5955-99-632-9303		Z37		M28311-703PT 28311-703X			2-2-11/1-62
5905-99-633-1213		Z30		M24500-018PT 24573-049B			2-2-1/1-32 2-2-4/1-6 2-2-11/1-17 2-3-2/1-24
5905-99-633-1214		Z30		M24500-018PT 24573-096L			2-2-11/1-29
5910-99-633-9071		Z31		M26410-580PT 26415-810Z			2-1-1/1-16 2-1-2/1-32

SIGNAL GENERATOR TF2002B

NATO Stock No./ Catalogue No.	Man. Code			Maker's Part No./ Drawing No.	Maint. Code		Chapter and Fig. Item No.
	RN	Army	RAF		RN	RAF	
5910-99-633-9074		Z31		M26410-580PT 26415-818F			2-2-6/1-45
5905-99-635-3060		Z30		M24770-321PT 24773-277U			2-2-6/1-13 2-2-10/1-7
5935-99-635-6352		Z32		M23443-443PT 23443-443K			2-3-2/1-15
5999-99-636-0220		Z42		M23635-833PT 23635-833X			2-2/1-29 2-2-11/1-8
5910-99-636-0222		Z31		M26511-339PT 26511-382N			2-2-4/1-12
5905-99-636-0223		Z30		M24500-018PT 24573-057E			2-1/1-28 2-1-1/1-4 2-2-1/1-40 2-2-11/1-18 2-3-3/1-3
5905-99-636-0452		Z30		M24770-321PT 24773-259T			2-2-6/1-7 (3)
5930-99-636-1121		Z32		M23467-155PT 23467-155G			2-3-2/1-16
5905-99-636-2645		Z30		M24500-018PT 24573-129Y			2-1-2/1-25 2-2-1/1-16 2-2-1/1-17 (2)
5905-99-636-2646		Z30		M24500-018PT 24573-077X			2-2-4/1-20 2-2-10/1-23
5905-99-636-2647		Z30		M24500-018PT 24573-105C			2-1-1/1-11 2-1-2/1-21 2-3-1/1-16 2-3-3/1-11
5905-99- ⁶⁵⁴⁻¹⁹⁸⁷ 636-4148		Z30		24773-219			2-2-12/1-5
5905-99-636-4149		Z30		M24300-001PT 24311-937A			2-2-12/1-30
5905-99-636-4151		Z30		25541-344J			2-2-6/1-28

SIGNAL GENERATOR TF2002B

NATO Stock No./ Catalogue No.	Man. Code			Maker's Part No./ Drawing No.	Maint. Code	Class of Store	Chapter and Fig. Item No.
	RN	Army	RAF		RN	RAF	
5905-99-636-4161		Z30		H4 24753-878D			2-1/1-30 2-1-2/1-17 2-2-6/1-18 2-3-1/1-10
5905-99-636-4170		Z30		25611-086H			2-3-2/1-32
5905-99-636-4179		Z30		25611-076M			2-3-3/1-9
5905-99-636-4186		Z30		25541-214S			2-2-12/1-18
5910-99-636-4195		Z31		26415-814			2-3-2/1-34
5910-99-636-4196		Z31		M26580-241PT 26582-414R			2-1-2/1-27
5910-99-636-4200		Z31		26516-574			2-2-11/1-74
5910-99-636-4202		Z31		PF1100 2% 26516-495M			2-2-11/1-73
5910-99-636-4203		Z31		PF7500 26516-495K			2-2-11/1-75
5910-99-636-4206		Z31		PF3300 26516-609Z			2-2-2/1-20 2-2-7/1-20 (1) 2-2-9/1-17 2-2-10/1-16 (1)
5910-99-636-4212		Z31		C14F 33pF 26272-391L			2-2-3/1-17 2-2-5/1-16 2-2-9/1-14
5910-99- 636-4214 <i>570-7189</i>		Z31		26516-543H			2-2-2/1-19 2-2-5/1-18
5910-99- 636-4216 <i>019 4940</i>		Z37		C14F 15pF			2-2-9/1-12
5950-99-636-4227		Z37		3635-31 23642-331C			2-2-2/1-17 2-2-7/1-6
5950-99-636-4228		Z37		3640-57-2 23642-490S			2-2-3/1-8 2-2-8/1-7

SIGNAL GENERATOR TF2002B

NATO Stock No./ Catalogue No.	Man. Code			Maker's Part No./ Drawing No.	Maint. Code	Class of Store	Chapter and Fig. Item No.
	RN	Army	RAF				
	5910-99-633-9074		Z31			M26410-580PT 26415-818F	
5905-99-635-3060		Z30		M24770-321PT 24773-277U			2-2-6/1-13 2-2-10/1-7
5935-99-635-6352		Z32		M23443-443PT 23443-443K			2-3-2/1-15
5999-99-636-0220		Z42		M23635-833PT 23635-833X			2-2/1-29 2-2-11/1-8
5910-99-636-0222		Z31		M26511-339PT 26511-382N			2-2-4/1-12
5905-99-636-0223		Z30		M24500-018PT 24573-057E			2-1/1-28 2-1-1/1-4 2-2-1/1-40 2-2-11/1-18 2-3-3/1-3
5905-99-636-0452		Z30		M24770-321PT 24773-259T			2-2-6/1-7 (3)
5930-99-636-1121		Z32		M23467-155PT 23467-155G			2-3-2/1-16
5905-99-636-2645		Z30		M24500-018PT 24573-129Y			2-1-2/1-25 2-2-1/1-16 2-2-1/1-17 (2)
5905-99-636-2646		Z30		M24500-018PT 24573-077X			2-2-4/1-20 2-2-10/1-23
5905-99-636-2647		Z30		M24500-018PT 24573-105C			2-1-1/1-11 2-1-2/1-21 2-3-1/1-16 2-3-3/1-11
5905-99-636-4148		Z30		24773-219			2-2-12/1-5
5905-99-636-4149		Z30		M24300-001PT 24311-937A			2-2-12/1-30
5905-99-636-4151		Z30		25541-344J			2-2-6/1-28

SIGNAL GENERATOR TF2002B

NATO Stock No./ Catalogue No.	Man. Code			Maker's Part No./ Drawing No.	Maint. Code	Class of Store	Chapter and Fig.- Item No.
	RN	Army	RAF				
					RN	RAF	
5905-99-636-4161		Z30		H4 24753-878D			2-1/1-30 2-1-2/1-17 2-2-6/1-18 2-3-1/1-10
5905-99-636-4170		Z30		25611-086H			2-3-2/1-32
5905-99-636-4179		Z30		25611-076M			2-3-3/1-9
5905-99-636-4186		Z30		25541-214S			2-2-12/1-18
5910-99-636-4195		Z31		26415-814			2-3-2/1-34
5910-99-636-4196		Z31		M26580-241PT 26582-414R			2-1-2/1-27
5910-99-636-4200		Z31		26516-574			2-2-11/1-74
5910-99-636-4202		Z31		PF1100 2% 26516-495M			2-2-11/1-73
5910-99-636-4203		Z31		PF7500 26516-495K			2-2-11/1-75
5910-99-636-4206		Z31		PF3300 26516-609Z			2-2-2/1-20 2-2-7/1-20 (1) 2-2-9/1-17 2-2-10/1-16 (1)
5910-99-636-4212		Z31		C14F 33pF 26272-391L			2-2-3/1-17 2-2-5/1-16 2-2-9/1-14
5910-99-636-4214		Z31		26516-543H			2-2-2/1-19 2-2-5/1-18
5910-99-636-4216		Z37		C14F 15pF			2-2-9/1-12
5950-99-636-4227		Z37		3635-31 23642-331C			2-2-2/1-17 2-2-7/1-6
5950-99-636-4228		Z37		3640-57-2 23642-490S			2-2-3/1-8 2-2-8/1-7

SIGNAL GENERATOR TF2002B

NATO Stock No./ Catalogue No.	Man. Code			Maker's Part No./ Drawing No.	Maint. Code	Class of Store	Chapter and Fig. Item No.
	RN	Army	RAF				
6625-99-645-5695		Z4		44811-338K			2-2-8/1-14
6625-99-645-5696		Z4		44811-337B			2-2-3/1-4
5950-99-645-5697		Z37		44290-011F			2-2-3/1-5
6625-99-645-5698		Z4		44811-339A			2-2-3/1-14
6625-99-645-5699		Z4		44821-281L			2-2-4/1-4
6625-99-645-5700		Z4		44821-283F			2-2-4/1-17
6625-99-645-5701		Z4		44821-282J			2-2-10/1-4
6625-99-645-5702		Z4		44821-284G			2-2-10/1-19
6625-99-645-5703		Z4		44821-278L			2-2-5/1-4
6625-99-645-5704		Z4		44821-279J			2-2-9/1-4
6625-99-645-5705		Z4		44811-330D			2-2-11/1-79
5950-99-645-5706		Z4		44290-386V			2-2-11/1-84
5920-99-645-5707		Z32		44290-388W			2-2-11/1-69 2-2-11/1-83
6625-99-645-5708		Z4		44811-331T			2-2-11/1-64
5950-99-645-5709				44290-387S			2-2-11/1-68
5950-99-645-5710		Z37		44290-389D			2-2-11/1-67
6625-99-645-5711		Z4		44823-326V			2-2-11/1-9
6625-99-645-5712		Z4		44823-313Z			2-2/1-25 2-2-6/1-1
6625-99-645-5713		Z30		44823-744T			2-2/1-36 2-2-12/1-1
3020-99-645-5715		Z4		33218-527L			2-2/1-26
3020-99-645-5716		Z4		33621-708M			2-2/1-28
6625-99-645-5719		Z4		44825-227V			2-3/1-27 2-3-1/1-1

SIGNAL GENERATOR TF2002B

NATO Stock No./ Catalogue No.	Man. Code			Maker's Part No./ Drawing No.	Maint. Code		Chapter and Fig- Item No.
	RN	Army	RAF		RN	RAF	
6625-99-645-5720		Z4		44825-228S			2-3/1-29 2-3-3/1-1
5950-99-645-5721		Z37		44290-390S			2-3-3/1-2
6625-99-645-5722		Z4		44823-325G			2-3-2/1-22
5950-99-645-5723		Z32		37375-121B			2-3-2/1-3
5970-99-645-5724		Z42		37490-024X			2-3/1-26
5970-99-645-5725		Z42		37490-025M			2-3/1-23
6625-99-645-5726		Z4		35116-110P			2-0/1-3
5905-99-645-6939		Z30		M24500-018PT 24573-100Y			2-1-2/1-19 2-2-4/1-23
5905-99-645-6940		Z30		M24500-018PT 24573-056H			2-2-1/1-39
5905-99-645-6941		Z30		M24500-018PT 24573-127E			2-2-1/1-18 (1)
5905-99-645-6942		Z30		M24500-018PT 24573-135J			2-2-1/1-18 (2) 2-3-3/1-13 (2)
5905-99-645-6943		Z30		M24500-018PT 24573-117C			2-2-1/1-15
5905-99-645-6944		Z30		M24500-018PT 24573-139S			2-3-3/1-13 (4)
5910-99-645-6945		Z31		M26582-205PT 26582-208B			2-2-7/1-18 2-2-11/1-77
5950-99-645-6946		Z37		31556-514N			2-2-2/1-3 2-2-3/1-2 2-2-7/1-2 2-2-8/1-3
5910-99-645-6947		Z31		M26582-205PT 26582-206C			2-2-2/1-13 2-2-9/1-18 2-2-11/1-87

SIGNAL GENERATOR TF2002B

NATO Stock No./ Catalogue No.	Man. Code			Maker's Part No./ Drawing No.	Maint. Code	Class of Store	Chapter and Fig.- Item No..
	RN	Army	RAF		RN	RAF	
5950-99-645-6948		Z37		31556-528X			2-2-3/1-3 2-2-8/1-4
5950-99-645-6949		Z37		31556-516J			2-2-4/1-2
5340-99-645-7838		Z4		33527-425C			2-1/1-20
5305-99-645-7839		Z4		M21347-401PT 21347-430E			2-1/1-5
5305-99-645-7840		Z4		M21347-401PT 21347-432Y			2-3/1-8 2-3/1-16
5999-99-645-7841		Z42		M28488-108 PT28488-108E			2-1-1/1-21 2-2-5/1-7 2-2-5/1-40 2-2-9/1-23 2-2-9/1-43 2-2-11/1-58
5950-99-645-7842		Z37		M23635-406NSA PT23635-448D			2-1/1-18
5340-99-645-7843		Z2		M22322-010PT 22322-010S			2-1/1-17
5930-99-645-7844		Z32		44335-423T			2-2-1/1-7
5365-99-645-7846		Z4		33222-714E			2-2-1/1-5
5910-99-645-7847		Z31		M26580-221PT 26582-212K			2-2-7/1-19
5950-99-645-7848		Z37		M23642-313NSA PT23642-335A			2-2-7/1-7
5950-99-645-7849		Z37		M23640-254PT 23642-555G			2-2-8/1-13
5910-99-645-7850		Z31		M26511-164NSA PT26511-164B			2-2-4/1-26
5910-99-645-7851		Z31		M26324-005PT 26324-005K			2-2-9/1-35
5910-99-645-7852		Z31		M26324-005PT 26324-011H			2-2-9/1-35 (1)

SIGNAL GENERATOR TF2002B

NATO Stock No./ Catalogue No.	Man. Code			Maker's Part No./ Drawing No.	Maint. Code	Class of Store	Chapter and Fig- Item No.
	RN	Army	RAF				
					RN	RAF	
5910-99-645-7853		Z31		M26324-005PT 26324-014Y			2-2-9/1-35 (2)
5910-99-645-7854		Z31		M26410-580PT 26415-802			2-2-11/1-50 2-3-1/1-27
5910-99-645-7855		Z31		M26410-580PT 26415-824S			2-3-1/1-25
5999-99-645-7856		Z42		M28488-101PT 28488-102R			2-2-12/1-48
5999-99-645-7857		Z42		M28488-111NSA PT28488-111E			2-2-12/1-44
5305-99-645-7858		Z4		M21315-132PT 21315-142M			2-2/1-24
5305-99-645-7859		Z4		M21315-712JNSA PT21315-712J			2-2/1-23
5365-99-645-7860		Z4		M22810-272NSA PT22812-721X			2-2/1-37
5905-99-645-7861		Z30		Type E 50k 44322-131M			2-3/1-10
5999-99-645-7862		Z42		M13880-202PT 13880-202S			2-2/1-7
5905-99-645-7863		Z30		Type E 2.2k 44322-419N			2-3/1-12
5905-99-645-7864		Z30		44397-001Y			2-3/1-14
5910-99-645-7867		Z31		M26580-241PT 26582-410P			2-3-3/1-18
5935-99-645-7868		Z32		M23423-158NSA PT23423-158T			2-3-2/1-13
5999-99-645-7869		Z42		M23423-999Y PT23423-999Y			2-3-2/1-14
5935-99-645-7870		Z32		M23443-445NSA PT23443-445Z			2-3-4/1-14
5340-99-645-7872		Z4		35900-158Z			2-0/1-6

SIGNAL GENERATOR TF2002B

NATO Stock No./ Catalogue No.	Man. Code			Maker's Part No./ Drawing No.	Maint. Code		Chapter and Fig. Item No.
	RN	Army	RAF		Maint. Code	Class of Store	
					RN	RAF	
3120-99-645-8756		Z4		33621-129K			2-2-1/1-6
5305-99-645-8757		Z4		33900-009C			2-0/1-5
5940-99-645-9266		Z37		M23234-692PT 43217-010E			2-1/1-26
5325-99-645-9267		H9		M23187-112PT 23187-181J			2-1/1-21 2-2-11/1-7
5325-99-645-9268		H9		M23187-112PT 23187-112N			2-2-11/1-6
5999-99-645-9270		Z42		44811-340B			2-2-1/1-19
6625-99-645-9271		Z4		43122-101J			2-2/1-11
5910-99-645-9272		Z31		M26582-205PT 26582-207R			2-2-2/1-11 2-2-5/1-21
5910-99-645-9274		Z31		M26516-003PT 26516-066X			2-2-7/1-20 (2)
5910-99-645-9275		Z31		M26516-003PT 26516-512E			2-2-2/1-22 (5) 2-2-4/1-31 (1)
5910-99-645-9276		Z31		M26516-003PT 26516-315G			2-2-2/1-18
5910-99-645-9277		Z31		M26516-003PT 26516-416F			2-2-8/1-9
5910-99-645-9278		Z31		M26516-003PT 26516-905D			2-2-3/1-13 (1)
5910-99-645-9279		Z31		M26516-003PT 26516-652N			2-2-10/1-16 (2)
5910-99-645-9280		Z31		M26516-003PT 26516-691G			2-2-10/1-16 (3)
5910-99-645-9281		Z31		M26516-003PT 26516-524S			2-2-5/1-38 2-2-9/1-40

SIGNAL GENERATOR TF2002B

NATO Stock No./ Catalogue No.	Man. Code			Maker's Part No./ Drawing No.	Maint. Code	Class of Store	Chapter and Fig- Item No.
	RN	Army	RAF				
					RN	RAF	
5910-99-645-9282		Z31		M26516-003PT 26516-901G			2-2-11/1-78
5910-99-645-9283		Z31		M26516-003PT 26516-020N			2-2-11/1-86
5950-99-645-9284		Z37		44190-002C			2-2-9/1-3
5999-99-645-9285		Z42		44823-314H			2-2-9/1-25
5910-99-645-9286		Z31		M26272-001NSA PT26272-004U			2-2-9/1-37
5910-99-645-9287		Z31		M26272-001NSA PT26272-053G			2-2-5/1-33
5905-99-645-9289		Z30		M24770-321PT 24773-255V			2-2-6/1-7 (1)
5905-99-645-9290		Z30		M24770-321PT 24773-263P			2-2-6/1-8 (1) 2-2-12/1-16
5905-99-645-9291		Z30		M24770-321PT 24773-267R			2-2-6/1-8 (3)
5905-99-645-9292		Z30		M25541-301NSA PT25541-319T			2-2-6/1-12
5905-99-645-9293		Z30		M25541-301NSA PT25541-327R			2-2-6/1-19
5905-99-645-9294		Z30		M25710-150PT 25711-502J			2-2-12/1-19
5999-99-645-9295		Z42		M28488-428NSA PT28488-428V			2-2-12/1-49
5910-99-645-9297		Z31		M26340-313NSA PT26343-129R			2-3-1/1-20
5970-99-645-9298		Z42		M23211-544NSA PT23211-544L			2-3-2/1-7
5905-99-645-9299		Z30		M24600-038PT 24636-613T			2-3-4/1-9

SIGNAL GENERATOR TF2002B

NATO Stock No./ Catalogue No.	Man. Code			Maker's Part No./ Drawing No.	Maint. Code	Class of Store	Chapter and Fig.- Item No.
	RN	Army	RAF		RN	RAF	
5905-99-645-9300		Z30		M24600-038PT 24636-224J			2-3-4/1-6
5905-99-645-9301		Z30		M24600-038PT 24636-710G			2-3-4/1-10
5905-99-645-9302		Z30		M24600-038PT 24636-109Z			2-3-4/1-5
5905-99-645-9303		Z30		M24600-038PT 24636-905U			2-3-4/1-12
5905-99-645-9304		Z30		M24600-032PT 24636-032X			2-3-4/1-3
5905-99-645-9305		Z30		M24600-038PT 24636-711V			2-3-4/1-11
5905-99-645-9306		Z30		M24600-032PT 24636-113H			2-3-4/1-4
5905-99-645-9307		Z30		M24600-038PT 24636-494L			2-3-4/1-8
5905-99-645-9308		Z30		M24600-038PT 24636-368T			2-3-4/1-7
5905-99-645-9309		Z30		M24600-037PT 24634-354L			2-3-4/1-17
5905-99-645-9310		Z30		M24600-037PT 24634-606D			2-3-4/1-19.
5905-99-645-9311		Z30		M24600-037PT 24634-348U			2-3-4/1-18
5905-99-645-9312		Z30		M24600-037PT 24634-805F			2-3-4/1-20
5905-99-645-9313		Z30		M24500-013PT 24511-576E			2-2-5/1-9 2-2-5/1-26 2-2-9/1-7 2-2-9/1-31
5905-99-645-9314		Z30		M24500-013PT 24511-616Y			2-2-5/1-11

SIGNAL GENERATOR TF2002B

NATO Stock No./ Catalogue No.	Man. Code			Maker's Part No./ Drawing No.	Maint. Code	Class of Store	Chapter and Fig. Item No.
	RN	Army	RAF				
	5905-99-645-9315		Z30			M24500-013PT 24511-610K	
5905-99-645-9316		Z30		M24500-013PT 24511-635M			2-2-5/1-12 2-2-5/1-29 2-2-6/1-31 2-2-9/1-10 2-2-9/1-33
5905-99-645-9317		Z30		M24500-013PT 24511-528P			2-2-5/1-25 2-2-6/1-4 2-2-9/1-29 2-2-12/1-7
5905-99-645-9319		Z30		M24500-013PT 24511-612Z			2-2-5/1-28 2-2-6/1-23 2-2-12/1-28
5905-99-645-9320		Z30		M24500-013PT 24511-600T			2-2-5/1-27 2-2-6/1-17 2-2-9/1-32 2-2-12/1-25
5905-99-645-9321		Z30		M24500-013PT 24511-531P			2-2-9/1-6
5905-99-645-9322		Z30		M24500-013PT 24511-606B			2-2-6/1-20 2-2-9/1-8
5905-99-645-9323		Z30		M24500-013PT 24511-520J			2-2-6/1-3 2-2-9/1-28 2-2-12/1-6
5905-99-645-9324		Z30		M24500-013PT 24511-550N			2-2-6/1-6 2-2-9/1-30 2-2-12/1-12
5905-99-645-9325		Z30		M24500-013PT 24511-588S			2-2-6/1-14 2-2-12/1-23
5905-99-645-9326		Z30		M24500-013PT 24511-594T			2-2-6/1-15 2-2-12/1-24
5905-99-645-9327		Z30		M24500-013PT 24511-611A			2-2-6/1-22

SIGNAL GENERATOR TF2002B

NATO Stock No./ Catalogue No.	Man. Code			Maker's Part No./ Drawing No.	Maint. Code	Class of Store	Chapter and Fig. Item No.
	RN	Army	RAF				
					RN	RAF	
5905-99-645-9300		Z30		M24600-038PT 24636-224J			2-3-4/1-6
5905-99-645-9301		Z30		M24600-038PT 24636-710G			2-3-4/1-10
5905-99-645-9302		Z30		M24600-038PT 24636-109Z			2-3-4/1-5
5905-99-645-9303		Z30		M24600-038PT 24636-905U			2-3-4/1-12
5905-99-645-9304		Z30		M24600-032PT 24636-032X			2-3-4/1-3
5905-99-645-9305		Z30		M24600-038PT 24636-711V			2-3-4/1-11
5905-99-645-9306		Z30		M24600-032PT 24636-113H			2-3-4/1-4
5905-99-645-9307		Z30		M24600-038PT 24636-494L			2-3-4/1-8
5905-99-645-9308		Z30		M24600-038PT 24636-368T			2-3-4/1-7
5905-99-645-9309		Z30		M24600-037PT 24634-354L			2-3-4/1-17
5905-99-645-9310		Z30		M24600-037PT 24634-606D			2-3-4/1-19
5905-99-645-9311		Z30		M24600-037PT 24634-348U			2-3-4/1-18
5905-99-645-9312		Z30		M24600-037PT 24634-805F			2-3-4/1-20

SIGNAL GENERATOR TF2002B

NATO Stock No./ Catalogue No.	Man. Code			Maker's Part No./ Drawing No.	Maint. Code	Class of Store	Chapter and Fig. Item No.
	RN	Army	RAF		RN	RAF	
5950-99-710-8043				58-10-005-10 23642-549L			2-2-9/1-27 2-2-12/1-4
5910-99-714-2125		Z31		C14F 0.001 μ F 26272-150Y			2-2-5/1-36
5905-99-900-1586		Z30		MP DEALER 25611-176P			2-1/1-29
5910-99-900-4599		Z31		K350081/831 26383-242P			2-2-5/1-37 2-2-6/1-38 2-2-9/1-39 2-2-12/1-35 2-3-1/1-22
5935-99-911-8078		Z32		BN3/5A			2-2-/1-8
5910-99-913-6616		Z31		PF100 26516-241N			2-2-2/1-22 (4) 2-2-4/1-30 2-2-8/1-18
5910-99-913-6618		Z31		PF390 26516-587T			2-2-5/1-34 2-2-7/1-8 (3) 2-2-11/1-41
5910-99-914-9992		Z31		ADN750 26324-807S			2-2-5/1-14
5905-99-924-7427		Z30		TR5 16K 24573-102L			2-1-2/1-20
5940-99-932-3014		Z37		5100S Type HS 23211-545J			2-3-2/1-4
5340-99-932-5192		G1		DEF STAN 53-15 23243-656D			2-2-12/1-50
5910-99-933-1716		Z31		P100AD			2-2-5/1-32
5340-99-933-3088		Z1		TY23M 23243-705K			2-1/1-33
5935-99-940-1999		Z32		GX518 23435-243			2-2/1-12
5340-99-943-6899		Z1		SSM(L)7-4/2 25234-641			2-0/1-7 2-2/1-18 2-3-2/1-21

SIGNAL GENERATOR TF2002B

NATO Stock No./ Catalogue No.	Man. Code			Maker's Part No./ Drawing No.	Maint. Code	Class of Store	Chapter and Fig. Item No.
	RN	Army	RAF				
5910-99-944-4795		Z31		N750AD 26324-795H			2-2-9/1-13
5940-99-945-1276		Z37		56201 28488-110H			2-3-2/1-19
5910-99-945-1531		Z31		PF10 26516-009W			2-2-3/1-13 (2) 2-2-8/2-17
5910-99-945-1534		Z1		PF22 26516-088K			2-2-8/1-12 2-2-11/1-33
5910-99-945-1535		Z31		PF33AAG 26516-127A			2-2-8/1-12 (4)
5910-99-945-1537		Z31		PF47 26516-165E			2-2-2/1-22 (1)
5910-99-945-9173		Z31		TROPYFOL M 26511-337K			2-2-4/1-11
5910-99-947-3305		Z31		26324-833H			2-2-9/1-11 (1)
5910-99-951-6737		Z31		SMT9/10.9 26817-238D			2-2-3/1-20 2-2-8/1-21
5310-99-952-2880		Z4		1557 23421-722H			2-3/1-20
5910-99-955-4159		Z31		811/T/30V 26383-031S			2-1-2/1-26 2-2-4/1-10 2-2-4/1-25 2-2-5/1-22 2-2-6/1-40 2-2-9/1-19 2-2-10/1-11 2-2-10/1-26 2-2-11/1-76 2-2-11/1-49 2-2-11/1-88 2-3-1/1-24
5930-99-955-7642		Z4		TC37710/6			2-1/1-14
6625-99-955-7715		Z4		TB38378			2-1/1-13
5355-99-955-7855		Z4		TM7059/8			2-1/1-12

SIGNAL GENERATOR TF2002B

NATO Stock No./ Catalogue No.	Man. Code			Maker's Part No./ Drawing No.	Maint. Code	Class of Store	Chapter and Fig. Item No.
	RN	Army	RAF				
	5961-99-955-8170		Z42			TH4 28488-113Y	
5355-99-956-1076		Z4		TB42517			2-2/1-5
5950-99-956-1183		Z37		TM7387/1			2-2-11/1-65 2-2-11/1-80
5950-99-956-1184		Z37		TM7387/2			2-2-11/1-70 2-2-11/1-82
5950-99-956-1185		Z37		TM7665/1			2-2-11/1-2
5950-99-956-1188		Z37		TM7387/9			2-2-11/1-66 2-2-11/1-81
5920-99-956-1252		Z32		TDA123 23411-055P			2-3-2/1-9
5355-99-956-1269		Z4		TM6896/5 41145-220F			2-1/1-8 2-3/1-6
5355-99-956-1270		Z4		TM6891/11 41141-503B			2-1/1-6 2-3/1-5
5355-99-956-1271		Z4		TM6896/4			2-2/1-2
5355-99-956-1311		Z4		TM6895/9			2-1/1-7
6625-99-956-1312		Z4		TB40890 31185-722M			2-1/1-4 2-3/1-7
6625-99-956-1390		Z4		TM5955			2-3/1-15
5355-99-956-1396		Z4		TB25273/18 31185-723C			2-2/1-4
5910-99-956-1418		Z31		PF11800ADD 26516-721Y			2-1-3/1-3
5910-99-956-1420		Z31		PF372000AFD 26516-878A			2-1-3/1-6
5910-99-956-1425		Z31		PF3720ABD 26516-815A			2-1-3/1-7
5910-99-956-1426		Z31		PF118000AFD 26516-856N			2-1-3/1-4
5910-99-956-1429		Z31		PF3720ABF 26516-623F			2-1-3/1-5
5920-99-956-1504		Z32		TDA123 23411-054T			2-3-2/1-10

SIGNAL GENERATOR TF2002B

NATO Stock No./ Catalogue No.	Man. Code			Maker's Part No./ Drawing No.	Maint. Code	Class of Store	Chapter and Fig- Item No.
	RN	Army	RAF		RN	RAF	
5910-99-956-1506		Z31		5125667			2-2-4/1-13
5930-99-956-1507		Z32		11SM234 23483-131			2-3-4/1-15
5950-99-956-1513		Z37		TM7477			2-3-2/1-2
5950-99-956-1705		Z37		TM7664/2			2-2-4/1-3 2-2-7/1-12 2-2-10/1-3
5950-99-956-1708		Z37		TM7664/5			2-2-4/1-16 2-2-7/1-4
5950-99-956-1709		Z37		TM7664/6 44263-047X			2-2-2/1-2 2-2-10/1-2
5950-99-956-1710		Z37		TM7664/8			2-2-5/1-2 2-2-8/1-2
5950-99-956-1711		Z37		TM7664/9			2-2-3/1-6 2-2-9/1-2
5750-99-956-1718		Z37		TM7722/5 44264-205P			2-2-2/1-5 2-2-4/1-5 2-2-7/1-14 2-2-10/1-5
5310-99-970-4127		Y4		1058 23421-721Z			2-3/1-19
5910-99-971-8508		Z31		801 K800011 26383-055L			2-2-5/1-20 2-2-6/1-39 2-2-9/1-20 2-2-11/1-46 2-2-12/1-36

Chapter 4

**INDEX OF MAKER'S PART NUMBERS
TO CHAPTER AND FIGURE ITEM NUMBERS**

Chapter 4
INDEX OF MAKER'S PART NUMBERS
TO CHAPTER AND FIGURE-ITEM NUMBERS

SIGNAL GENERATOR TF2002B

Maker's Part No.	Chapter and Fig.-Item Number	Maker's Part No.	Chapter and Fig.-Item Number	Maker's Part No.	Chapter and Fig.-Item Number
AA14 10 ohms at 20 degrees	2-1-1/1-10	C14F 47pF \pm 1pF	2-2-5/1-33 (1)	J12-RT- DEF5000	2-3/1-18
AD-N750 22pF \pm 5%	2-2-5/1-14	C14F 100pF \pm 2%	2-2-5/1-35	K350081/831	2-2-5/1-37 2-2-6/1-38 2-2-9/1-39
BA111	2-2-9/1-41	C14F 560pF \pm 2%	2-2-5/1-17 2-2-9/1-15		2-2-12/1-35 2-3-1/1-22
BS9111-N- 002 Style EX 43 ohms \pm 2%	2-2-1/1-26	C14F 0.001 μ F \pm 2%	2-2-5/1-35	MP DEALER 4.7 ohms \pm 20%	2-1/1-29
BS9111-N- 002 Style EX 75 ohms \pm 1%	2-2-1/1-30	C21 6.111K ohms \pm 1%	2-3/1-31	MPS3640	2-2-11/1-53
BS9111-N- 016 Style KZ 7.115K ohms \pm 1%	2-3/1-32	C21 9.625K ohms \pm 1%	2-3/1-33	MR25 33 ohms \pm 2%	2-2-12/1-8
BS9111-N 016 Style KZ 24.75K ohms \pm 1%	2-3/1-34	C41146-015	2-2-/1-3	MR25 220 ohms \pm 2%	2-2-6/1-7 (2)
B44223-203A	2-2-5/1-42	C44572-228S	2-1/1-16	MR25 220 ohms \pm 2%	2-2-6/1-7 (2)
B44227-019V	2-2-11/1-12	C44579-00313	2-1/1-15	MO4 (ITT) MR4 (Welwyn) 1K ohm \pm 1%	2-2-12/1-20
B44264-210M	2-2-11/1-10	C44823-315E	2-2-5/1-24	MO4 (ITT) MR4 (Welwyn) 1.8K ohms \pm 1%	2-2-12/1-21
B44266-217K	2-2-11/1-11	DEF-STAN 53-15	2-2-12/1-50	Mo4 (ITT) MR4 (Welwyn) 2K ohms \pm 1%	2-2-12/1-22
C14F 15pF \pm 1%	2-2-9/1-12	D35852-119T	2-0/1-2	Mo4 (ITT) MR4 (Welwyn) 2.2K ohms \pm 1%	2-2-6/1-14 2-2-12/1-23
C14F 22pF \pm 1%	2-2-5/1-15 2-2-9/1-36	GE95012	2-3-4/1-13	MO4 (ITT) MR4 (Welwyn) 2.2K ohms \pm 1%	2-2-6/1-15 2-2-12/1-24
C14F 33pF \pm 1pF	2-2-3/1-17 2-2-5/1-16 2-2-9/1-14	GX518	2-2/1-12	MO4 (ITT) MR4 (Welwyn) 3.3K ohms \pm 1%	
		G51HB	2-1/1-25	MO4 (ITT) MR4 (Welwyn) 3.3K ohms \pm 1%	
		HG1005	2-2-6/1-50 2-3-1/1-34		
		H4	2-1/1-30 2-1-2/1-17 2-2-6/1-18 2-3-1/1-10		

SIGNAL GENERATOR TF 2002B

Maker's Part No.	Chapter and Fig.-Item Number	Maker's Part No.	Chapter and Fig.-Item Number	Maker's Part No.	Chapter and Fig.-Item Number
MO4 (ITT) MR4 (Welwyn) 4.7K ohms±1%	2-2-5/1-27 2-2-6/1-17 2-2-9/1-32 2-2-12/1-25	MO4 (ITT) MR4 (Welwyn) 10 ohms ±1%	2-2-6/1-3 2-2-9/1-28 2-2-12/1-6	MR5 120 ohms ±2%	2-2-1/1-34
MO4 (ITT) MR4 (Welwyn) 5.1K ohms±1%	2-2-12/1-26	MO4 (ITT) MR4 (Welwyn) 22 ohms ± 1%	2-2-5/1-26 2-2-6/1-4 2-2-9/1-29 2-2-12/1-7	MR5 1.8K ohms ±2%	2-3-2/1-27
MO4 (ITT) MR4 (Welwyn) 6.8K ohms±1%	2-2-6/1-20 2-2-9/1-8	MO4 (ITT) MR4 (Welwyn) 27 ohms ± 1%	2-2-9/1-6	MR5 82K ohms ±2%	2-1/1-32 2-2-4/1-24
MO4 (ITT) MR4 (Welwyn) 10K ohms±1%	2-2-5/1-10 2-2-6/1-21 2-2-9/1-9 2-2-12/1-27	MO4 (ITT) MR4 (Welwyn) 39 ohms ±1%	2-2-12/1-9	MR5 1M ohm ± 2%	2-3-1/1-18 (2)
MO4 (ITT) MR4 (Welwyn) 11K ohms ±1%	2-2-6/1-22	MO4 (ITT) MR4 (Welwyn) 51 ohms ±1%	2-2-12/1-10	M13880-202 13880-202S	2-2/1-7
MO4 (ITT) MR4 (Welwyn) 12K ohms ±1%	2-2-5/1-28 2-2-6/1-23 2-2-12/1-28	MO4 (ITT) MR4 (Welwyn) 75 ohms ± 1%	2-2-12/1-11	M16410-580 26410-822G	2-1-1/1-17
MO4 (ITT) MR4 (Welwyn) 15K ohms ±1%	2-2-6/1-24	MO4 (ITT) MR4 (Welwyn) 100 ohms ±1%	2-2-6/1-6 2-2-9/1-30 2-2-12/1-12	M21315-132 21315-142M	2-2/1-24
MO4 (ITT) MR4 (Welwyn) 18K ohms ±1%	2-2-5/1-11	MO4 (ITT) MR4 (Welwyn) 150 ohms ±1%	2-2-12/1-13	M21315-712J 21315-712J	2-2/1-23
MO4 (ITT) MR4 (Welwyn) 22K ohms ±1%	2-2-6/1-25	MO4 (ITT) MR4 (Welwyn) 430 ohms±1%	2-2-12/1-17	M21347-401 21347-430E	2-1/1-5
MO4 (ITT) MR4 (Welwyn) 33K ohms ±1%	2-2-6/1-27	MO4 (ITT) MR4 (Welwyn) 680 ohms±1%	2-2-5/1-9 2-2-5/1-26 2-2-9/1-7 2-2-9/1-31	M21347-401 21347-432Y	2-3/1-8 2-3/1-16
MO4 (ITT) MR4 (Welwyn) 47K ohms ±1%	2-2-6/1-26	MR5 24 ohms ±2%	2-2-1/1-20	M22322-010 22322-010S	2-1/1-17
MO4 (ITT) MR4 (Welwyn) 68K ohms ±1%	2-2-6/1-29	MR5 27 ohms±2%	2-2-1/1-21	M22810-272 22812-721X	2-2/1-37
MO4 (ITT) MR4 (Welwyn) 100K ohms±1%	2-2-5/1-12 2-2-5/1-29 2-2-6/1-31 2-2-9/1-10 2-2-9/1-33	MR5 110 ohms ±2%	2-2-1/1-33	M23187-112 23187-112N	2-2-11/1-6
				M23187-112 23187-181J	2-1/1-21 2-2-11/1-7

SIGNAL GENERATOR TF 2002B

Maker's Part No.	Chapter and Fig.-Item Number	Maker's Part No.	Chapter and Fig.-Item Number	Maker's Part No.	Chapter and Fig.-Item Number
M23210-154 23211-546F	2-2/1-13	M23635-833 23635-833X	2-2/1-29 2-2-11/1-8	M23500-018 24573-039D	2-2-1/1-25
M23211-544 23211-544L	2-3-2/1-7	M23640-254 23642-555G	2-2-8/1-13	M24500-018 24573-041W	2-1-1/1-3 2-2-1/1-27 2-2-11/1-16
M23213-146 23213-146	2-3-2/1-35	M23640-254 23642-565X	2-2-11/1-13	M24500-018 24573-042D	2-2-1/1-28
M23234-692 24317-010E	2-1/1-26	M23642-313 23642-335A	2-2-7/1-7	M24500-018 24573-044P	2-2-1/1-28 (1)
M23235-174 23235-177	2-3/1-2 2-3-2/1-6	M23642-313 23642-313	2-2-3/1-7	M24500-018 24573-045X	2-2-1/1-29
M23411-056 23411-056	2-3-2/1-11	M24300-001 24311-937A	2-2-12/1-30	M24500-018 24573-047	2-2-1/1-31
M23416-191 23416-191	2-3-2/1-12	M24300-001 24311-945Y	2-2-12/1-31	M24500-018 24573-049B	2-2-1/1-32 2-2-4/1-6
M23423-158 23423-158T	2-3-2/1-13	M24300-002 24573-141	2-3-1/1-18 (1)		2-2-11/1-17 2-3-2/1-24
M23423-999 23423-999Y	2-3-2/1-14		2-3-3/1-13 (5)	M24500-018 24573-053K	2-1-2/1-8 2-2-1/1-36
M23443-443 23443-443K	2-3-2/1-15	M24770-321 24773-321	2-2-12/1-29	M24500-018 24573-054A	2-2-1/1-37
M23443-445 23443-445Z	2-3-4/1-14	M24500-013 24511-558D	2-2-12/1-14	M24500-018 24573-055Z	2-2-1/1-38 2-2-11/1-19
M23443-591 23443-591	2-3/1-22	M24500-013 24511-563P	2-2-12/1-15		
M23462-252 23462-258	2-1/1-19	M24500-018 24573-106V	2-1-2/1-22 2-2-11/1-30		
M23467-155 23467-155G	2-3-2/1-16	M24500-018 24573-025	2-1-2/1-7 2-2-11/1-15 2-3-1/1-2		
M23635-406 23635-448D	2-1/1-18	M24500-018 24573-037S	2-1-1/1-2 2-2-1/1-23		

SIGNAL GENERATOR TF 2002B

Maker's Part No.	Chapter and Fig.-Item Number	Maker's Part No.	Chapter and Fig.-Item Number	Maker's Part No.	Chapter and Fig.-Item Number
M24500-018 Pt 24573-056H	2-2-1/1-39	M24500-018 Pt 24573-085	2-1-2/1-14 2-2-4/1-9 2-2-4/1-21 2-2-10/1-24 2-3-3/1-8	M24500-018 Pt 24573-105C	2-1-1/1-11 2-1-2/1-21 2-3-1/1-16 2-3-3/1-11
M24500-018 Pt 24573-057E	2-1/1-28 2-1-1/1-4 2-2-1/1-40 2-2-11/1-18 2-3-3/1-3	M24500-018 Pt 24573-087Z	2-2-11/1-26 2-3-2/1-23	M24500-018 Pt 24573-106V	2-1-2/1-22 2-2-11/1-30
M24500-018 Pt 24573-061	2-2-11/1-20 2-3-1/1-3 2-3-3/1-4	M24500-018 Pt 24573-089	2-2-10/1-25 2-2-11/1-27 2-3-1/1-8 2-3-1/1-9	M24500-018 Pt 24573-107	2-1-2/1-23 2-3-1/1-15 (1)
M24500-018 Pt 24573-063N	2-3-1/1-3 (1)	M24500-018 Pt 24573-090	2-1-1/1-7 2-2-11/1-28	M24500-018 Pt 24573-109D	2-2-1/1-15 (2) 2-3-1/1-17
M24500-018 Pt 24573-065	2-2-10/1-21 2-2-11/1-21 2-3-1/1-4	M24500-018 Pt 24573-091H	2-1-1/1-8 2-3-1/1-11	M24500-018 Pt 24573-113T	2-1-1/1-12 2-1-2/1-24 2-2-1/1-15 (1) 2-3-1/1-15 (2) 2-3-3/1-12
M24500-018 Pt 24573-067	2-2-11/1-22 2-3-2/1-5	M24500-018 Pt 24573-093	2-2-4/1-22 2-3-1/1-8 (1) 2-3-2/1-30	M24500-018 Pt 24573-117C	2-2-1/1-15
M24500-018 Pt 24573-069	2-1-1/1-5 2-1-2/1-10 2-2-11/1-23 2-3-1/1-5 2-3-3/1-6	M24500-018 Pt 24573-095	2-1-2/1-18 2-3-1/1-12	M24500-018 Pt 24573-121	2-2-1/1-15 2-1/1-10 2-1-1/1-13 2-2-1/1-16 (1)
M24500-018 Pt 24573-073W	2-1-2/1-11 2-2-4/1-8 2-2-4/1-19 2-2-10/1-22 2-3-1/1-7 2-3-2/1-26 2-3-3/1-7	M24500-018 Pt 24573-096L	2-1-1/1-31 2-1-1/1-9 2-3-1/1-13 2-3-3/1-10	M24500-018 Pt 24573-125Z	2-2-1/1-16 (2) 2-2-1/1-17 2-2-5/1-30 2-2-9/1-34
M24500-018 Pt 24573-077X	2-2-4/1-20 2-2-10/1-23	M24500-018 Pt 24573-100Y	2-1-2/1-19 2-2-4/1-23	M24500-018 Pt 24573-127E	2-2-1/1-18 (1)
M24500-018 Pt 24573-080X	2-1-2/1-12 2-2-11/1-24	M24500-018 Pt 24573-101	2-2/1-38 2-3-1/1-14	M24500-018 Pt 24573-129Y	2-1-2/1-25 2-2-1/1-16 2-2-1/1-17 (2)
M24500-018 Pt 24573-083	2-1-2/1-15 2-3-2/1-29	M24500-018 Pt 24573-103	2-3-1/1-15	M24500-018 Pt 24573-131	2-2-1/1-18 2-3-3/1-13 (3)

SIGNAL GENERATOR TF2002B

Maker's Part No.	Chapter and Fig.-Item Number	Maker's Part No.	Chapter and Fig.-Item Number	Maker's Part No.	Chapter and Fig.-Item Number
M24500-018 Pt 24573-133N	2-2-1/1-17 (1) 2-3-3/1-13 (1)	M24600-038 Pt 24636-224J	2-3-4/1-6	M24770-321 Pt 24773-271	2-2-6/1-10 (1)
M24500-018 Pt 24573-135J	2-2-1/1-18 (2) 2-3-3/1-13 (2)	M24600-038 Pt 24636-368T	2-3-4/1-7	M24770-321 Pt 24773-273	2-2-6/1-10 (2) 2-2-6/1-11 2-2-10/1-6
M24500-018 Pt 24573-137G	2-3-1/1-18 2-3-3/1-13	M24600-038 Pt 24636-494L	2-3-4/1-8	M24770-321 Pt 24773-275	2-2-6/1-10 (3)
M24500-018 Pt 24573-139S	2-3-3/1-13 (4)	M24600-038 Pt 24636-613T	2-3-4/1-9	M24770-321 Pt 24773-277U	2-2-6/1-13 2-2-10/1-7
M24500-020 Pt 2458-555Y	2-2-11/1-14	M24600-038 Pt 24636-710G	2-3-4/1-10	M24770-321 Pt 24773-279	2-2-6/1-13 (1)
M24500-08 Pt 24573-081	2-2-11/1-25 2-3-2/1-28	M24600-038 Pt 24636-711V	2-3-4/1-11	M24770-321 Pt 24773-281	2-2-6/1-13 (2)
M24500-018 Pt 24573-090Z	2-2-11/1-28	M24600-038 Pt 24636-905U	2-3-4/1-12	M24770-321 Pt 24773-283L	2-2-6/1-13 (3)
M24500-002 Pt 24616-321Z	2-2-6/1-5	M24770-321 Pt 24773-253F	2-2-6/1-7	M24770-321 Pt 24773-285	2-2-10/1-8
M24600-032 Pt 24636-032X	2-3-4/1-3	M24770-321 Pt 24773-255V	2-2-6/1-7 (1)	M24770-321 Pt 24773-289	2-2-6/1-16
M24600-032 Pt 24636-113H	2-3-4/1-4	M24700-321 Pt 24773-259T	2-2-6/1-7 (3)	M24770-321 Pt 24773-293	2-2-6/1-16 (1) 2-2-10/1-9
M24600-037 Pt 24634-348U	2-3-4/1-18	M24770-321 Pt 24773-261D	2-2-6/1-8	M24770-321 Pt 24773-295	2-2-6/1-16 (2)
M24600-037 Pt 24634-354L	2-3-4/1-17	M24770-321 Pt 24773-263P	2-2-6/1-8 (1) 2-2-12/1-16	M24770-321 Pt 24773-297	2-2-6/1-16 (3)
M24600-037 Pt 24634-606D	2-3-4/1-19	M24770-321 Pt 24773-265M	2-2-6/1-8 (2) 2-2-6/1-9	M24770-321 Pt 24773-305	2-2-6/1-16 (4) 2-2-10/1-10
M24600-037 Pt 24634-805F	2-3-4/1-20	M24770-321 Pt 24773-267R	2-2-6/1-8 (3)	M24770-321 Pt 24773-317	2-2-6/1-30
M24600-038 Pt 24636-109Z	2-3-4/1-5	M24770-321 Pt 24773-269K	2-2-6/1-10		

SIGNAL GENERATOR TF2002B

Maker's Part No.	Chapter and Fig.-Item Number	Maker's Part No.	Chapter and Fig.-Item Number	Maker's Part No.	Chapter and Fig.-Item Number
M24770-321 Pt 24773-321L	2-2-12/1-29	M26324-005 Pt 26324-011H	2-2-9/1-35 (1)	M26383-131 Pt 26383-136T	2-2-6/1-37 2-2-12/1-34
		M26324-005 Pt 26324-014Y	2-2-9/1-35 (2)	M26383-303- Pt 26383-018	2-1-2/1-31 2-2-6/1-43
		M26324-005 Pt 26324-017	2-2-5/1-31	M26400-004 Pt 26427-134	2-3-2/1-17
M25541-301 NSA Pt 25541-319T	2-2-6/1-12	M26324-706 Pt 26324-712	2-2-5/1-13 2-2-5/1-31 (2)	M26410-580 Pt 26415-802	2-2-11/1-50 2-3-1/1-27
M25541-301 NSA Pt 25541-327R	2-2-6/1-19	M26324-706 Pt 26324-715T	2-2-11/1-32	M26410-580 Pt 26415-805	2-3-3/1-16
M25611-062 Pt 25611-070	2-1-2/1-9 2-3-3/1-5	M26324-795 Pt 26324-822	2-2-5/1-13 (1)	M26410-580 Pt 26415-810Z	2-1-1/1-16 2-1-2/1-32
M25611-062 Pt 25611-074	2-1-1/1-6	M26333-151 Pt 26373-665	2-2-11/1-5	M26410-580 Pt 26415-817J	2-1-2/1-33
M25611-062 Pt 25611-084	2-1-1/1-14	M26340-310 Pt 26343-106	2-2-6/1-32	M26410-580 Pt 26415-818F	2-2-6/1-45
M25710-150 Pt 25711-502J	2-2-12/1-19	M26340-312 Pt 26343-120B	2-2-6/1-33 2-2-12/1-32	M26410-580 Pt 26415-824S	2-3-1/1-25
M25811-010 Pt 25811-017	2-3-2/1-25	M26340-313 NSA Pt 26343-129R	2-3-1/1-20	M26486-203 Pt 26486-219	2-1-2/1-28 2-2-6/1-44 2-2-12/1-37
M25811-010 Pt 25811-019	2-3-1/1-6	M26340-313 Pt 26343-134	2-1-2/1-30 2-3-1/1-21	M26511-164 NSA Pt 26511-164B	2-2-4/1-26
M25811-010 Pt 25811-023	2-1-2/1-16	M26340-314 Pt 26343-146M	2-2-3/1-18 2-2-6/1-34	M26511-339 Pt 26511-349	2-2-4/1-29
M26272-001 NSA Pt 26272-044U	2-2-9/1-37	M26340-313 Pt 26343-160E	2-2-3/1-19	M26511-339 Pt 26511-382N	2-2-4/1-12
M26272-001 NSA Pt 26272-053G	2-2-5/1-33	M26340-316 Pt 26343-163N	2-2-9/1-38	M26516-003 Pt 26516-014	2-2-3/1-13
M26324-005 Pt 26324-005K	2-2-9/1-35	M26340-316 Pt 26343-167G	2-2-6/1-35 2-2-12/1-33	M26516-003 Pt 26516-018C	2-2-3/1-13 (3) 2-2-8/1-12 (1)
		M26383-131 Pt 26383-134	2-2-3/1-19 (1)		

SIGNAL GENERATOR TF2002B

Maker's Part No.	Chapter and Fig.-Item Number	Maker's Part No.	Chapter and Fig.-Item Number	Maker's Part No.	Chapter and Fig.-Item Number
M26516-003 Pt 26516-028E	2-2-3/1-13 (4) 2-2-8/1-12 (2)	M26516-003 Pt 26516-444Y	2-2-3/1-11 2-2-6/1-36 (2) 2-2-10/1-30 (1)	M26516-003 Pt 26516-718Y	2-2-11/1-47 2-3-3/1-14
M26516-003 Pt 26516-066X	2-2-7/1-20 (2)	M26516-003 Pt 26516-481L	2-1-1/1-15 2-2-2/1-8 2-2-4/1-31 2-2-5/1-19 2-2-9/1-16 2-2-10/1-31 2-2-11/1-43	M26516-003 Pt 26516-820	2-2-11/1-78
M26516-003 Pt 26516-181W	2-2-2/1-22 (2) 2-2-3/1-9 2-2-8/1-8			M26516-003 Pt 26516-901G	2-2-3/1-13 (1)
M26516-003 Pt 26516-201Z	2-2-2/1-22 2-2-10/1-29			M26550-541 Pt 26555-463S	2-2-11/1-48
M26516-003 Pt 26516-254	2-2-11/1-36	M26516-003 Pt 26516-512E	2-2-2/1-22 (5) 2-2-4/1-31 (31)	M26580-221 Pt 26582-212K	2-2-7/1-19
M26516-003 Pt 26516-287	2-2-11/1-38	M26516-003 Pt 26516-524S	2-2-5/1-38 2-2-9/1-40	M26580-241 Pt 26582-414R	2-1-2/1-27
M26516-003 Pt 26516-303Z	2-2-8/1-19 2-2-11/1-39	M26516-003 Pt 26516-564Z	2-2-8/1-11 2-2-10/1-16 2-2-11/1-44	M26582-205 Pt 26582-202T	2-2-2/1-21
M26516-003 Pt 26516-315G	2-2-2/1-18	M26516-003 Pt 26516-591S	2-2-3/1-12 2-2-4/1-32 2-2-11/1-45	M26582-205 Pt 26582-206C	2-2-2/1-13 2-2-9/1-18 2-2-11/1-87
M26516-003 Pt 26516-369E	2-2-3/1-10 2-2-7/1-8 2-2-7/1-8 (2)	M26516-003 Pt 26516-597	2-2-4/1-33	M26582-205 Pt 26582-207R	2-2-2/1-11 2-2-5/1-21
M26516-003 Pt 26516-406	2-2-6/1-36 (1) 2-2-7/1-8 (4) 2-2-10/1-30 2-2-11/1-42	M26516-003 Pt 26516-620N	2-2-11/1-86	M26582-205 Pt 26582-208B	2-2-7/1-18 2-2-11/1-77
M26516-003 Pt 26516-416F	2-2-8/1-9	M26516-003 Pt 26516-652N	2-2-10/1-16 (2)	M26816-234 Pt 26816-236H	2-2-11/1-31
		M26516-003 Pt 26516-691G	2-2-10/1-16 (3)		

SIGNAL GENERATOR TF2002B

Maker's Part No.	Chapter and Fig.-Item Number	Maker's Part No.	Chapter and Fig.-Item Number	Maker's Part No.	Chapter and Fig.-Item Number
M28311-703 Pt 28311-703X	2-2-11/1-62	M28452-197 Pt 28452-197H	2-2-4/1-34 2-2-5/1-5 2-2-6/1-52 2-2-9/1-21 2-2-10/1-33 2-2-11/1-55	M28488-108 Pt 28488-108E	2-1-1/1-21 2-2-5/1-7 2-2-5/1-40 2-2-9/1-23 2-2-9/1-43 2-2-11/1-58
M28336-466 Pt 28336-466Y	2-2-11/1-51 2-2-12/1-38	M28452-771 Pt 28452-771P	2-2-11/1-52	M28488-111 NSA Pt 28488-111E	2-2-12/1-44
M28336-676	2-1/1-34 2-1-2/1-3 2-2-6/1-47 2-2-12/1-39 2-3-1/1-33	M28452-777	2-1-2/1-4	M28488-114 Pt 28488-114N	2-2-11/1-60
M28349-007 NSA Pt 28349-007E	2-2-6/1-49	M28452-787 Pt 28452-787N	2-1-1/1-19 2-2-6/1-53 2-2-10/1-17 2-2-11/1-56	M28488-428 Pt 28488-428V	2-2-12/1-49
M28371-203 Pt 28371-434Y	2-2-6/1-46	M28454-786 Pt 28454-786H	2-2-11/1-57	M1P43103	2-2-6/1-36 2-2-7/1-8 (1)
M28371-203 Pt 28371-603H	2-3-2/1-37	M28459-011 Pt 28459-011S	2-1-1/1-20	NX1	2-2-8/1-20 2-2-11/1-40
M28371-494 Pt 28371-494Z	2-3-1/1-32	M28459-019 Pt 28459-019R	2-2-12/1-43	NX4	2-1/1-24 2-2/1-15
M28381-081 Pt 28381-135W	2-2-5/1-41	M28459-024 Pt 28459-024K	2-2-5/1-6 2-2-5/1-39 2-2-9/1-22 2-2-9/1-42	N750-361 39pF, \pm 20%	2-2-11/1-3
M28433-487 Pt 28433-487	2-3-1/1-29 2-3-3/1-21	M28461-312 Pt 28461-312R	2-1-2/1-6 2-2-6/1-56 2-3-1/1-31	N750AD 15pF \pm 5%	2-2-9/1-13
M28433-488 Pt 28433-488B	2-2-11/1-54	M28480-804 NSA Pt 28488-048G	2-2-6/1-57	N750BD 100pF \pm 2%	2-2-5/1-13 (2)
M28434-879 Pt 28434-879X	2-3-2/1-38	M28488-065 Pt 28488-065B	2-2-12/1-46	PF 10pF \pm 10%	2-2-9/1-11 (3)
M28435-235 Pt 28435-235	2-1-1/1-18 2-2-4/1-14 2-2-6/1-51 2-2-12/1-41	M28488-101 Pt 28488-102R	2-2-12/1-48	PF 22pF \pm 2pF	2-2-3/1-13 (2)
M28435-876 Pt 28435-876Z	2-3-2/1-18				2-2-8/1-17
M28452-157 Pt 28452-157R	2-2-12/1-42				2-2-8/1-12 2-2-11/1-33

SIGNAL GENERATOR TF 2002B

Maker's Part No.	Chapter and Fig.-Item Number	Maker's Part No.	Chapter and Fig.-Item Number	Maker's Part No.	Chapter and Fig.-Item Number
PF 27pF \pm 2pF	2-2-8/1-12 (3) 2-2-10/1-15 2-2-14/1-34	PF3720ABD 0.00372 μ F \pm 0.5%	2-3/1-7	SD/B225698/3	2-2-6/1-42 2-3-3/1-17
PF 47pF \pm 2pF	2-2-2/1-22 (2)	PF3720ABF 0.0037 μ F \pm 1%	2-1-3/1-5	SD/B225698/4	2-3-1/1-28 2-3-2/1-33 2-3-3/1-19
PF 82pF	2-2-11/1-22 (3) 2-2-11/1-35	PF 0.047 μ F \pm 2%	2-2-7/1-9 2-2-7/1-20	SEI600/160V PF	2-2-2/1-19 2-2-5/1-18
PF 100pF \pm 2%	2-2-2/1-22 (4) 2-2-4/1-30 2-2-8/1-18	PF 0.0065 μ F \pm 2%	2-2-7/1-20 (3)	SMT9/10.9	2-2-3/1-20 2-2-8/1-21
PF 390pF \pm 2%	2-2-5/1-34 2-2-7/18 (3)	PF 0.0075 μ F \pm 1%	2-2-11/1-75	SSM(L)7-4/2	2-0/1-7 2-2/1-18 2-3-2/1-21
PF 820pF \pm 2%	2-2-2/1-12 2-2-4/1-31 (2) 2-2-6/1-36 (3) 2-2-11/1-85	PF11800ADD 0.0118 μ F \pm 5%	2-1-3/1-3	TAA 10 μ F \pm 20%	2-1-2/1-29
PF 0.0011 μ F \pm 2%	2-1-3/1-2	PF11800AFD 0.118 μ F \pm 0.5%	2-1-3/1-4	TA19048/1	2-0/1-12
PF 0.0011 μ F \pm 1%	2-2-11/1-73	PF 37200CAFD 0.372 μ F \pm 0.5%	2-1-3/1-6	TA19048/2	2-0/1-13
PF 0.0033 μ F \pm 2%	2-2-2/1-20 2-2-7/1-20 (1) 2-2-9/1-17 2-2-10/1-16 (1)	PMX42 0.022 μ F \pm 10%	2-2-6/1-41 2-2-7/1-11	TB25273/18	2-2/1-4
PF 33AAG 33pF \pm 6.1%	2-2-8/1-12 (4)	21315-132 23462-252	2-2/1-6 2-1/1-2		
		P100AD 4.7pF \pm 10%	2-2-5/1-32		
		RG58 e/u	2-2/1-40		
		SD/B201018/ 24	2-2-4/1-27 (2) 2-2-10/1-12 2-2-10/1-27		

SIGNAL GENERATOR TF 2002B

Maker's Part No.	Chapter and Fig.-Item Number	Maker's Part No.	Chapter and Fig.-Item Number	Maker's Part No.	Chapter and Fig.-Item Number
TB 37553/5 41141-307	2-3/1-13	TDA123	2-3-2/1-10	TM 6895/9	2-1/1-7
TB 38378	2-1/1-13	TDA123	2-3-2/1-9	TM 6896/4	2-2/1-2
TB 39842	2-2-11/1-61	TD 46542	2-0/1-4	TM 6896/5	2-1/1-8 2-3/1-6
TB 40890	2-1/1-4 2-3/1-7	TF 2002B	2-0/1-1	TM 7033/5	2-3/1-4
TB 41697/2	2-2-3/1-15 2-3-1/1-30	TH4	2-3-2/1-39	TM 7059/8	2-1/1-12
TB 42517	2-2/1-5	TM 4726/325 43125-058	2-3/1-24	TM 7156/5	2-2-8/1-15 2-2-9/1-5
TC 37710/6	2-1/1-14	TM 4726/326	2-3/1-21	TM 7314	2-2-1/1-9
TC 37860/21 44324-219	2-3/1-17	TM 4726/327 43126-034	2-3/1-25	TM 7387/1	2-2-11/1-65 2-2-11/1-80
TC 37860/22	2-1/1-11	TM 5955	2-3/1-15	TM 7387/2	2-2-11/1-70 2-2-11/1-82
TC 37860/24 44322-131	2-3/1-9	TM 6890/5 41141-405	2-3/1-3	TM 7387/9	2-2-11/1-66 2-2-11/1-81
TC 37860/25 44322-419	2-3/1-11	TM 6891/11	2-1/1-6 2-3/1-5	TM 7477	2-3-2/1-2

SIGNAL GENERATOR TF 2002B

Maker's Part No.	Chapter and Fig.-Item Number	Maker's Part No.	Chapter and Fig.-Item Number	Maker's Part No.	Chapter and Fig.-Item Number
TM 7520	2-2/1-32	TROPYFOL M 0.015 μ F \pm 5%	2-2-4/1-27	TR4 4.7K ohms \pm 1%	2-2-5/1-27 2-2-6/1-17 2-2-9/1-32 2-2-12/1-25
TM 7664/2	2-2-4/1-3 2-2-7/1-12 2-2-10/1-3	TROPYFOL M 0.022 μ F \pm 10%	2-2-4/1-27 (2)	TR4 5.1K ohms \pm 1%	2-2-12/1-26
TM 7664/5	2-2-4/1-16 2-2-7/1-4	TROPYFOL M 0.033 μ F \pm 5%	2-2-4/1-28 2-2-10/1-28	TR4 6.8K ohms \pm 1%	2-2-6/1-20 2-2-9/1-8
TM 7664/6	2-2-2/1-2 2-2-10/1-2	TROPYFOL M 0.047 μ F \pm 5%	2-2-4/1-11	TR4 10K ohms \pm 1%	2-2-5/1-10 2-2-6/1-21 2-2-9/1-9 2-2-12/1-27
TM 7664/8	2-2-5/1-2 2-2-8/1-2	TROPYFOL M 0.033 μ F \pm 5%	2-2-10/1-14	TR4 11K ohms \pm 1%	2-2-6/1-22
TM 7664/9	2-2-3/1-6 2-2-9/1-2	TR4 1K ohm \pm 1%	2-2-12/1-20	TR4 12K ohms \pm 1%	2-2-5/1-28 2-2-6/1-23 2-2-12/1-28
TM 7665-1	2-2-11/1-2	TR4 1.8K ohms \pm 1%	2-2-12/1-21	TR4 15K ohms \pm 1%	2-2-6/1-24
TM 7666-2	2-2-9/1-45	TR4 2K ohms \pm 1%	2-2-12/1-22	TR4 18K ohms \pm 1%	2-2-5/1-11
TM 7722-5	2-2-2/1-5 2-2-4/1-5 2-2-7/1-14 2-2-10/1-5	TR4 2.2K ohms \pm 1%	2-2-6/1-14 2-2-12/1-23	TR4 22K ohms \pm 1%	2-2-6/1-25
TM 7761-1	2-2-5/1-3 2-2-8/1-23	TR4 3.3K ohms \pm 1%	2-2-6/1-15 2-2-12/1-24	TR4 33K ohms \pm 1%	2-2-6/1-27
				TR4 47K ohms \pm 1%	2-2-6/1-26
				TR4 68K ohms \pm 1%	2-2-6/1-29

SIGNAL GENERATOR TF 2002B

Maker's Part No.	Chapter and Fig.-Item Number	Maker's Part No.	Chapter and Fig.-Item Number	Maker's Part No.	Chapter and Fig.-Item Number
TR4 100K ohms $\pm 1\%$	2-2-5/1-12 2-2-5/1-29 2-2-6/1-31 2-2-9/1-10 2-2-9/1-33	TR5 36 ohms $\pm 2\%$	2-2-1/1-24	UA741C	2-1-2/1-5 2-2-12/1-41
TR4 10 ohms $\pm 1\%$	2-2-6/1-3 2-2-9/1-28 2-2-12/1-6	TR5 130 ohms $\pm 2\%$	2-2-1/1-35	XD 10pF $\pm 0.25pF$	2-2-5/1-31 (1) 2-2-9/1-11
TR4 22 ohms $\pm 1\%$	2-2-5/1-26 2-2-6/1-4 2-2-9/1-29 2-2-12/1-7	TR5 240 ohms $\pm 2\%$	2-2-1/1-41	XS18	2-1/1-27
TR4 27 ohms $\pm 1\%$	2-2-9/1-6	TR5 910 ohms $\pm 2\%$	2-2-4/1-7	X2-UG	2-2-11/1-63
TR4 39 ohms $\pm 1\%$	2-2-12/1-9	TR5 16K ohms $\pm 2\%$	2-1-2/1-20	IN4004	2-2-6/1-48 2-3-2/1-36
TR4 51 ohms $\pm 1\%$	2-2-12/1-10	TR5 75K ohms $\pm 2\%$	2-3-2/1-31	1058	2-3/1-19
TR4 75 ohms $\pm 1\%$	2-2-12/1-11	TR5 820K ohms $\pm 2\%$	2-2/1-39 2-3-3/1-13 (6)	11SM234	2-3-4/1-15
TR4 100 ohms $\pm 1\%$	2-2-6/1-6 2-2-9/1-30 2-2-12/1-12	Type E 2.2K ohms $\pm 20\%$	2-3/1-12	1557	2-3/1-20
TR4 150 ohms $\pm 1\%$	2-2-12/1-13	Type E 50K ohms $\pm 20\%$	2-3/1-10	15650-390U	2-2/1-40
TR4 430 ohms $\pm 1\%$	2-2-12/1-17	Type 4014 86 ohms $\pm 2\%$	2-2/1-14	18280-110W	2-1/1-25
TR4 680 ohms $\pm 1\%$	2-2-5/1-9 2-2-5/1-26 2-2-9/1-7 2-2-9/1-31	TY23M	2-1/1-33	2N5109	2-2-12/1-40
TR5 30 ohms $\pm 2\%$	2-2-1/1-22	T03	2-3-2/1-20	21315-135D	2-2/1-27
				23187-232M	2-1/1-22 2-3/1-35
				23211-545J	2-3-2/1-4

SIGNAL GENERATOR TF2002B

Maker's Part No.	Chapter and Fig.-Item Number	Maker's Part No.	Chapter and Fig.-Item Number	Maker's Part No.	Chapter and Fig.-Item Number
26516-609Z	2-2-2/1-20 2-2-7/1-20 (1) 2-2-9/1-17 2-2-10/1-16 (1)	28431-766H 28454-797G 28461-304T	2-2-11/1-53 2-2-12/1-40 2-1-2/1-5 2-2-12/1-47	315565-514N 31556-516J	2-2-2/1-3 2-2-3/1-2 2-2-7/1-2 2-2-8/1-3 2-2-4/1-2
26516-623F	2-1-3/1-5	28461-901A	2-2-6/1-55	31556-528X	2-2-3/1-3 2-2-8/1-4
26516-646E	2-2-7/1-9 2-2-7/1-20	28488-110H 28488-113Y	2-3-2/1-19 2-3-2/1-39	33218-572L	2-2/1-26
26516-679U	2-2-7/1-20 (3)	28488-115L	2-1-1/1-22 2-1-2/1-2 2-2-4/1-15 2-2-4/1-35 2-2-5/1-8 2-2-6/1-54 2-2-9/1-24 2-2-10/1-18 2-2-10/1-34 2-2-11/1-59 2-2-12/1-45 2-3-1/1-19 2-3-1/1-23 2-3-3/1-23	33222-714E 33527-425C 33563-110A 33563-112Z 33621-128B 33621-129K 33621-708M 33900-009C	2-2-1/1-5 2-1/1-20 2-0/1-12 2-0/1-13 2-2-1/1-12 2-2-1/1-6 2-2/1-28 2-0/1-5
26516-721Y	2-1-3/1-3			34441153	2-2-2/1-9
26516-815A	2-1-3/1-7			34441333	2-2-2/1-10
26516-856N	2-1-3/1-4			35116-110P	2-0/1-3
26516-878A	2-1-3/1-6			35555-105W	2-1/1-23
26518-293X	2-2-4/1-13			35900-158Z	2-0/1-6
26582-203P	2-2-2/1-9 2-2-7/1-17			3635-31	2-2-2/1-17 2-2-7/1-6
26582-205M	2-2-2/1-10 2-2-10/1-32	28488-201X 31111-418K	2-3-2/1-20 2-2-1/1-4	3635-37	2-2-2/1-7
26582-232	2-2-7/1-10	31121-120Y	2-2-1/1-8	3635-43	2-2-12/1-3
26582-234T	2-2-6/1-41 2-2-7/1-11	31185-722M 31185-723C	2-1/1-4 2-3/1-7 2-2/1-4	3640-33-2	2-2-3/1-16 2-2-8/1-16
26582-406	2-2-7/1-21	31189-003W 31341-105S	2-2-1/1-2 2-2-1/1-10	3640-57-2	2-2-3/1-8 2-2-8/1-7
26817-238D	2-2-3/1-20 2-2-8/1-21				
28313-604X	2-2-11/1-63	31344-112A	2-2-1/1-13		
28323-035N	2-2-6/1-50 2-3-1/1-34	31344-113Z 31364-105B	2-2-1/1-11 2-2-1/1-3		
28357-028K	2-2-6/1-48 2-3-2/1-36	31519-019Z	2-2-9/1-44		
28381-201F	2-2-9/1-41				

SIGNAL GENERATOR TF2002B

Maker's Part No.	Chapter and Fig.-Item Number	Maker's Part No.	Chapter and Fig.-Item Number	Maker's Part No.	Chapter and Fig.-Item Number
37375-121B	2-3-2/1-3	44290-388W	2-2-11/1-69 2-2-11/1-83	44821-282J	2-2-10/1-4
37490-024X	2-3/1-26	44290-389D	2-2-11/1-67	44821-283F	2-2-4/1-17
37490-025M	2-3/1-23	44290-390S	2-3-3/1-2	44821-284G	2-2-10/1-19
37575-121B	2-3-2/1-3	44322-131M	2-3/1-10	44823-313Z	2-2/1-25 2-2-6/1-1
37574-109Y	2-0/1-4	44322-419N	2-3/1-12	44823-314H	2-2-9/1-25
41141-308	2-1/1-3	44335-423T	2-2-1/1-7	44823-325G	2-3-2/1-22
41141-503B	2-3/1-5	44397-001Y	2-3/1-14	44823-326V	2-2-11/1-9
41145-220F	2-3/1-6	44426-009	2-3-4/1-16	44823-744T	2-2/1-36 2-2-12/1-1
41164-003X	2-2/1-19	44811-330D	2-2-11/1-79	44825-227V	2-3/1-27 2-3-1/1-1
41315-021H	2-2/1-22	44811-331T	2-2-11/1-64	44825-228S	2-3/1-29 2-3-3/1-1
41319-004J	2-2/1-9 2-2-1/1-1	44811-332P	2-2-7/1-13	44825-229W	2-1/1-36 2-1-2/1-1
		44811-333X	2-2-2/1-4	44831-207U	2-1/1-37 2-1-3/1-1
		44811-334M	2-2-7/1-3	44990-016X	2-3/1-28 2-3-2/1-1
43122-101J	2-2/1-11	44811-335C	2-2-2/1-14	44990-017M	2-2/1-30 2-2-7/1-1
44190-002C	2-2-9/1-3	44811-336R	2-2-8/1-5	44990-018C	2-2/1-16 2-2-2/1-1
44233-014W	2-2-5/1-23 2-2-8/1-6	44811-337B	2-2-3/1-4	44990-019R	2-2/1-31 2-2-8/1-1
44247-010U	2-2-2/1-15 2-2-10/1-20	44811-338K	2-2-8/1-14	44990-020M	2-2/1-17 2-2-3/1-1
44257-211H	2-2-4/1-18 2-2-7/1-5	44811-339A	2-2-3/1-14	44990-021C	2-2/1-20 2-2-4/1-1
44265-212L	2-2-7/1-15	44811-340B	2-2-1/1-19		
44265-402C	2-2-2/1-6 2-2-7/1-16	44811-341K	2-2-1/1-14		
44290-011F	2-2-3/1-5	44821-277N	2-1/1-35 2-1-1/1-1		
44290-386V	2-2-11/1-84	44821-278L	2-2-5/1-4		
44290-387S	2-2-11/1-68	44821-279J	2-2-9/1-4		
		44821-281L	2-2-4/1-4		

SIGNAL GENERATOR TF2002B

Maker's Part No.	Chapter and Fig.-Item Number	Maker's Part No.	Chapter and Fig.-Item Number	Maker's Part No.	Chapter and Fig.-Item Number
44990-022R	2-2/1-34 2-2-10/1-1	811-T-30V 0.1uF, +50% -25%	2-1-2/1-26 2-2-4/1-10 2-2-4/1-25 2-2-5/1-22 2-2-6/1-40 2-2-9/1-19 2-2-10/1-11 2-2-10/1-26 2-2-11/1-49 2-2-11/1-76 2-2-11/1-88 2-3-1/1-24		
44990-023B	2-2/1-21 2-2-5/1-1				
44990-024K	2-2/1-33 2-2-9/1-1				
44990-026Z	2-2/1-35				
44990-027H	2-0/1-9 2-1/1-1				
44990-028E	2-0/1-10				
44990-029U	2-0/1-11 2-3/1-1				
46844-003J	2-3/1-30 2-3-4/1-1				
5100STYP EHS	2-3-2/1-4				
5125667	2-2-4/1-13				
56201	2-3-2/1-19				
58-10-0005-10	2-2-9/1-27 2-2-12/1-4				
58-10-0009-10	2-2-6/1-2				
58OPT26415- 801	2-1/1-9 2-2-10/1-13 2-3-1/1-26 2-3-3/1-15				
801K800011 0.01uF, +80% -20%	2-2-5/1-20 2-2-6/1-39 2-2-9/1-20 2-2-11/1-46 2-2-12/1-36				

