

Q



METER.

ARMY
CODE No.
14860

(REVISED 1980)

RESTRICTED
The information given in this document is not to be communicated, either directly or indirectly, to the press or to any person not authorized to receive it.

ILLUSTRATED SPARE PARTS LIST for

PANEL TEST, ELECTRICAL, Z4/6625-99-106-2685
consisting of:-

- (1) CIRCUIT MAGNIFICATION METER, Z4/6625-99-103-1083 MARCONI TF 1245 or TF 1245A (See Note 1)
- (2) TEST OSCILLATOR Z4/6625-99-103-5187 MARCONI TF 1246

ALSO INCLUDED IS OPTIONAL TEST OSCILLATOR Z4/6625-99-103-1073 MARCONI TF 1247 (See Note 2)

- NOTES:
- 1. THE TF 1245 AND TF 1245A ARE IDENTICAL EXCEPT THAT PARTS OF THE TUNING CIRCUIT ON THE TF 1245A ARE GOLD PLATED.
 - 2. THIS ITEM CAN BE USED WITH ITEM (1) INSTEAD OF USING ITEM (2) TO EXTEND THE FREQUENCY RANGE. IT IS NOT EMBRACED BY NSN Z4/6625-99-106-2685.

NOTE

Multipurpose Electronic Parts may be supplied by different manufacturers to a common Nato Stock Number. Although the replacement part may not appear to be identical to the existing component, it will satisfy the circuit function of the component being replaced, and may be fitted without any modification action.

ABBREVIATIONS

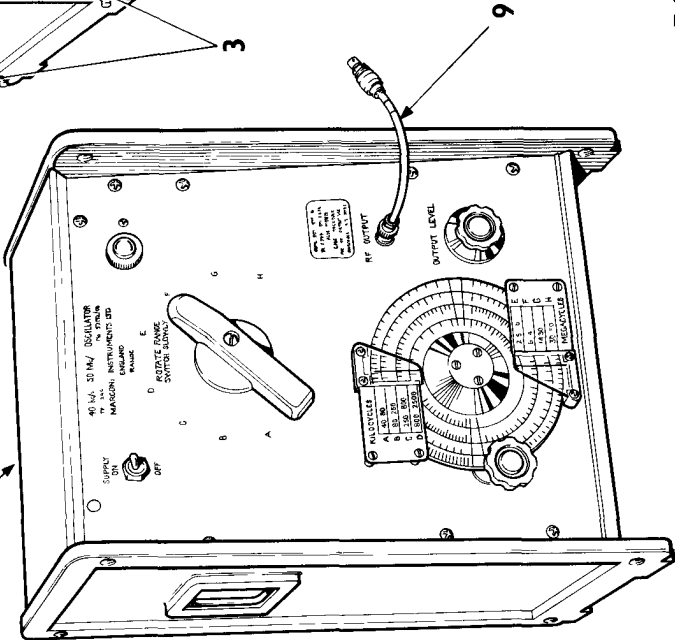
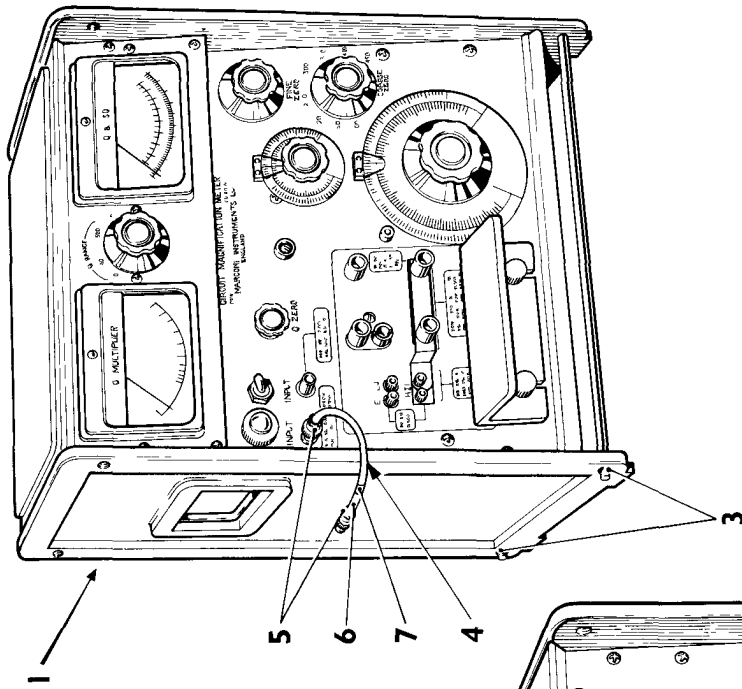
A	ampere(s)	enam	enamel(led)	mA	milliampere(s)	SRBP	synthetic resin bonded paper
A/F	across flats	h	high (height)	max	maximum	SWG	standard wire gauge
Ag	silver	hd	head	μ F	microfarad(s)	thd	thread(s)(ed)
BA	British Association Screw Thread	id	inside diameter	Mohm	megohm(s)	thk	thick(ness)
Be	Beryllium	k	kilohm(s)	mtd	mounted	tub	tubular
br	brass	lg	long (length)	mtg	mounting	v	volt(s)
BSW	British Standard Whitworth Thread			NP	nickel plate(d)	w	watt(s)
Cd	Cadmium			o/a	over-all	Whit	Whitworth
cres	corrosion resisting steel			od	outside diameter	w	wide
Cu	copper			Phos B	phosphor bronze	w/	with
c/w	complete with			pF	picofarad(s)	W/o	without
deg	degree(s)			PTFE	polytetrafluoroethelene		
dia	diameter			PVC	polyvinylchloride		
		rd	round				

READ PREPACE BEFORE DEMANDING SPARES

ILLUSTRATED SPARE PARTS LIST

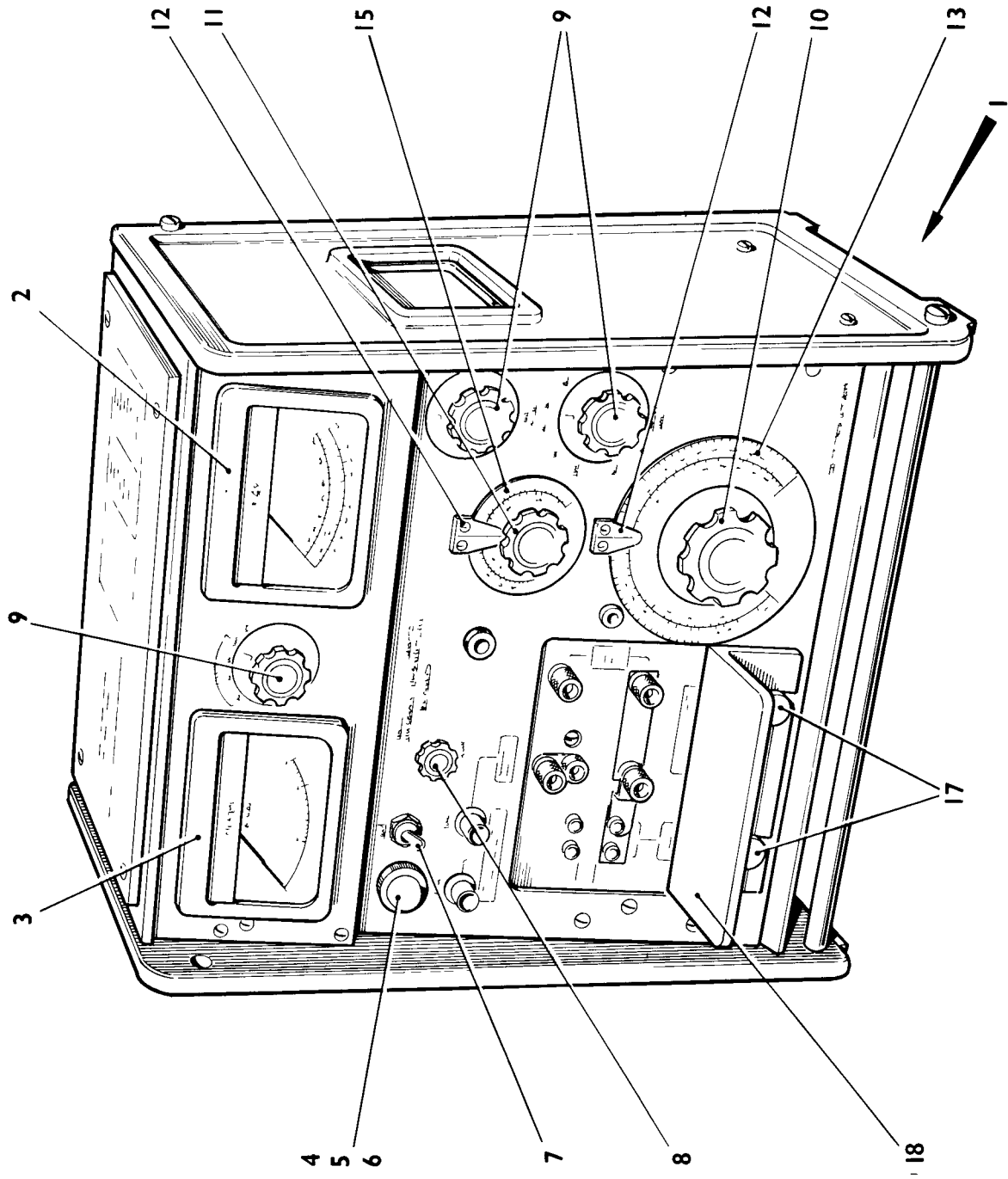
CIRCUIT MAGNIFICATION METER MARCONI TF 1245A
 TEST OSCILLATOR MARCONI TF 1246
 TEST OSCILLATOR MARCONI TF 1247

ITEM No	PLATE REF	MANAGEMENT CODE			N.A.T.O. STOCK No. OR CATALOGUE No.	ITEM NAME OR DESIGNATION	ITEM DESCRIPTION	No OFF	SCHEMATIC REF	DRAWING No AND/OR REMARKS
		NAVY	ARMY	AIR FORCE						
1	A		Z4		CIRCUIT MAGNIFICATION METER	Marconi type TF 1245/1245A	1	Fig. 1	TF 1245/1245A For breakdown see page 5	
2	*		F1		WRENCH, KEY, SOCKET HEAD SCREW	steel; 3/32 in. A/F, 2 in. lg.	1		BS 2470	
3	A		Z4		TIE BOLT	steel; 13-1/4 in. o/a lg; 1/4 in. Whit, thd. 3/8 in. lg; chrome finish	2		33563-401	
4	A		Z4		CABLE ASSEMBLY, RADIO FREQUENCY	Transradio RG-55/U plug, free, straight each end; 8-3/4 in. approx. lg.	1		TM 5725 43125-010	
5	A		Z32		PLUG, ELECTRICAL	free; br; coaxial, 50 ohms, 500V peak ac; female shell; locking	2		Transradio BN/1/5	
6	A		Y3		CABLE, RADIO FREQUENCY	coaxial; 52 ohms impedance; polythene, dielectric, single braid; PVC jacket; 0.19 in. dia. o/a	8 1/2 in.		DEF 14-A Uniradio No. 43	
7	A		Y3		SLEEVE, IDENTIFICATION	synthetic rubber, grey; 0.197 in. id, 1 in. lg; inscribed "Connector TM 5725"	1		TR 24299/236 51716-425	
8	A		Z4		TEST OSCILLATOR	40 kc/s - 50 Mc/s; Marconi type TF 1246	1	fig. 2 & 4	TF 1246 (TE 273900) For breakdown see page 21	
9	A		Z4		CABLE ASSEMBLY, RADIO FREQUENCY	50 ohms matching unit, 40 kc/s - 50 Mc/s w/plug and socket	1		44411-009 (TM 5726) For breakdown see page 45	
10	A		Z4		TEST OSCILLATOR	20-300 Mc/s; Marconi type TF 1247	1	fig. 3 & 4	TF 1247 (TE 27440) For breakdown see page 33	
11	A				CABLE ASSEMBLY RADIO FREQUENCY	50 ohms matching unit, 20-300 Mc/s, w/plug and socket	1		TM 5727 (44411-008) For breakdown see page 45	



PANEL, TEST, ELECTRICAL

B



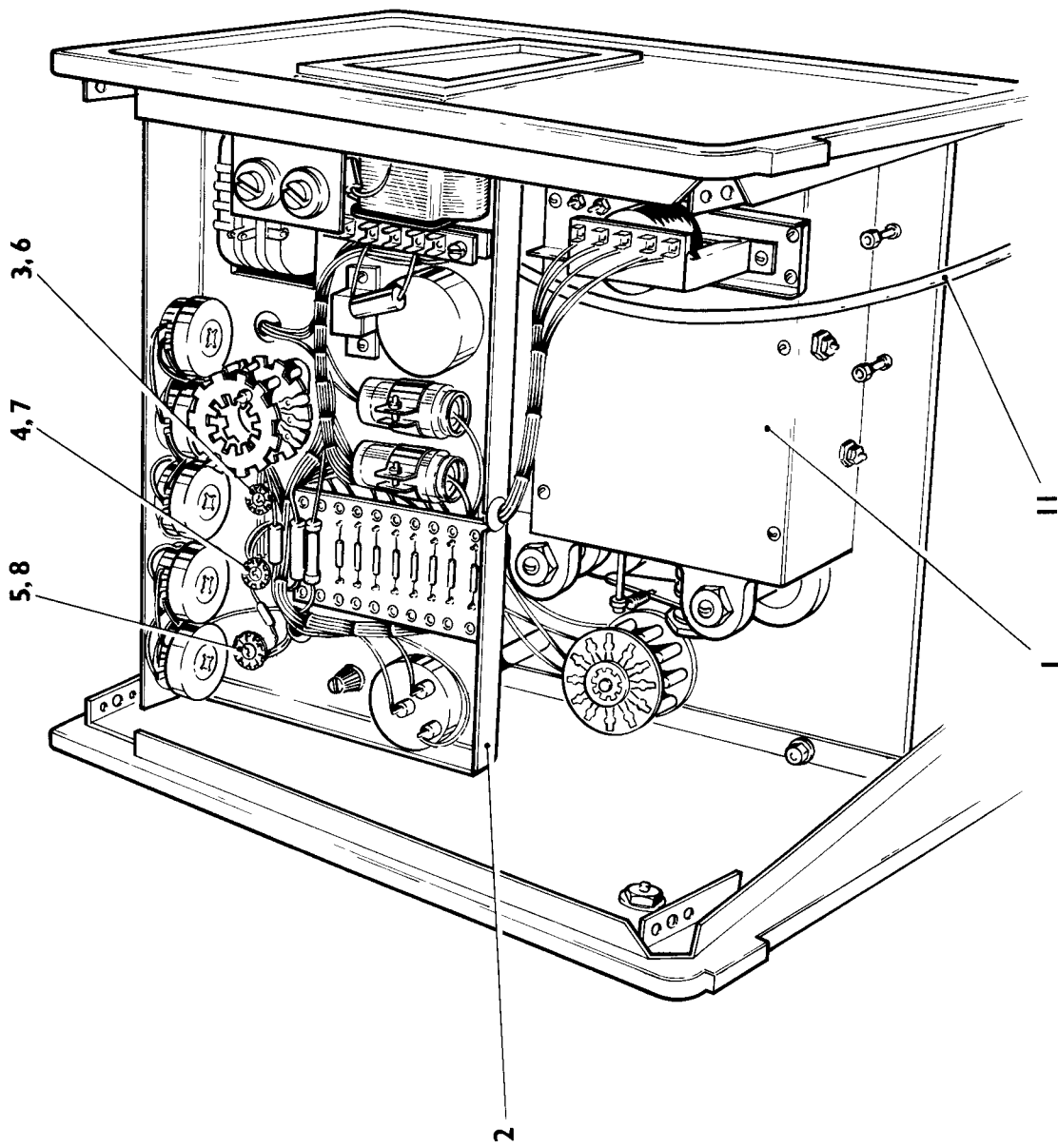
PANEL, TEST, ELECTRICAL

ES 4116

RESTRICTED

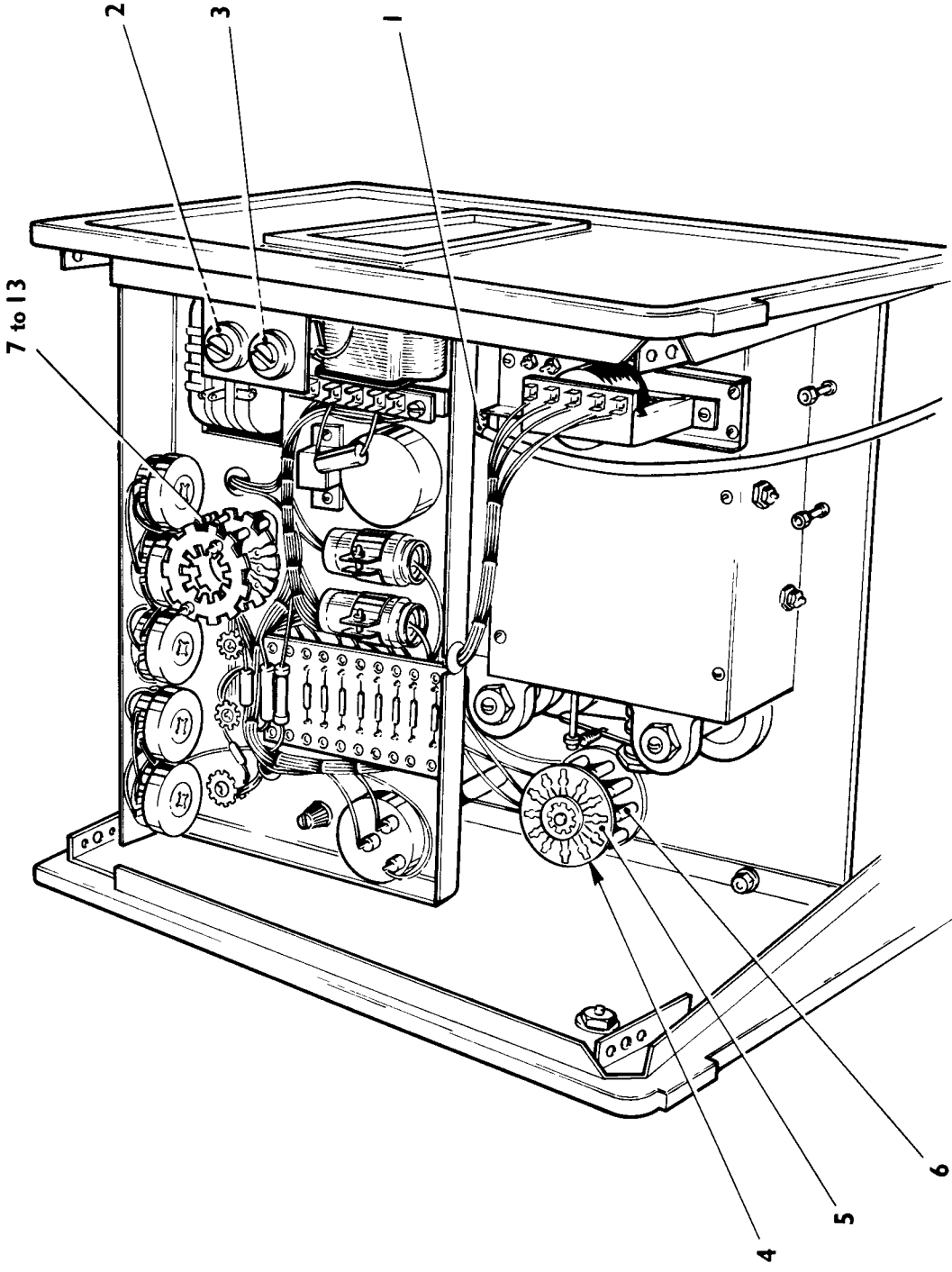
ITEM PLATE No	MANAGEMENT CODE			N.A.T.O. STOCK No OR CATALOGUE No	ITEM NAME OR DESIGNATION	ITEM DESCRIPTION	No OFF	SCHEMATIC REF	DRAWING No AND/OR REMARKS
	NAVY	ARMY	AIR FORCE						
1	B		Z4	6625-99-103-1083	CIRCUIT MAGNIFICATION METER		1	fig. 1	TF 1245
2	B		Z4	6625-99-105-1826	Q-METER		1	M1	44554-410
3	B		Z4	6625-99-105-1827	Q-METER		1	M2	44554-411
4	B		Z4	6210-99-933-1611	LIGHT, INDICATOR		1		23746-302A
5	B		Z4	6210-99-104-6714	BEZEL, LENS MOUNTING		1		274 4-704
6	B		Z4	6240-99-955-9148	LAMP, FILAMENT		1	PLP1	23735-433F
7	B		Z5P	5930-99-943-9141	SWITCH, LEVER OPERATED		1	SA	44334-003
8	B		Z4	5355-99-949-5199	KNOB		1		3142-301
9	B		Z4	5355-99-622-8281	KNOB		1		41142-219
10	B				KNOB		1		41142-224
11	B		Z4	5355-99-104-9369	KNOB		1		31142-507
12	B		Z4	5355-99-104-5213	POINTER, DIAL		1		31185-703
13	B		Z4	6625-99-104-9370	DIAL, SCALE		1		31763-710
14	*		Z4	6625-99-198-2915	DIAL, BLANK		1		31763-004
15	B		Z4	6625-99-104-9371	DIAL, SCALE		1		31763-501
16	*		Z4	6625-99-198-2916	DIAL, BLANK		2		31763-003
17	B		Z4	5305-99-104-9372	THUMBSCREW		2		33516-307
18	B		Z4	6625-99-104-2453	PLATFORM MOULDING		1		37563-103

ITEM PLATE No. REF.	MANAGEMENT CODE			N.A.T.O. STOCK No. OR CATALOGUE No.	ITEM NAME OR DESIGNATION	ITEM DESCRIPTION	No. OFF	SCHEMATIC REF	DRAWING No. AND/OR REMARKS
	NAVY	ARMY	AIR FORCE						
1 C					CIRCUIT MAGNIFICATION METER TUNING UNIT		1	fig. 1	TM 5639 46878-004 For breakdown see page 10
2 C					CHASSIS ASSEMBLY		1		TM 5642 46878-005 For breakdown see page 17
3 C		242		5960-99-000-1832	VALVE, ELECTRONIC	CV 1832 : OA2	1	V1	28213-352E
4 C		242		5960-99-118-3805	VALVE, ELECTRONIC	CV 449 : 85A2	1	V2	28216-237E
5 C		242		5960-99-000-4003	VALVE, ELECTRONIC	CV 4003 : 12AU7	1	V3	28124-402P
6 C		242		5960-99-119-7712	SHIELD ELECTRONIC VALVE	straight cylinder-shaped w/flared end; B7G	1		28237-535L
7 C		242		5960-99-119-7713	SHIELD ELECTRONIC VALVE	straight cylinder-shaped w/flared end; B7G	1		28237-537F
8 C		242		5960-99-119-7714	SHIELD ELECTRONIC VALVE	straight cylinder-shaped w/flared end; B9A	1		28237-548X
9 *					MAINS LEAD ASSEMBLY		1		43121-729J
10 *					FERRULE	G692; 1/16 in. dia. approx; 3/8 in. lg.	3		23231-902X
11 C		Y3		6145-99-901-3416	CABLE, ELECTRICAL	3 condrs; 7/0.0076 in; plastics insulation; plastics; flange mounting; 1.562 in. lg, 0.5 in. dia.	7.25	ft.	15760-721H
12 *		Z1		5975-99-972-9531	PROTECTOR, ELECTRICAL CABLE		1		Hellermann HV2660
13 *		Z4		5325-99-947-9464	GROMMET, PLASTICS	PVC; 7/16 in. od of groove, 5/16 in. dia. hole, 5/8 in. od, 1/4 in. o/a	1		23187-201C



TUNING UNIT AND CHASSIS ASSEMBLY

D

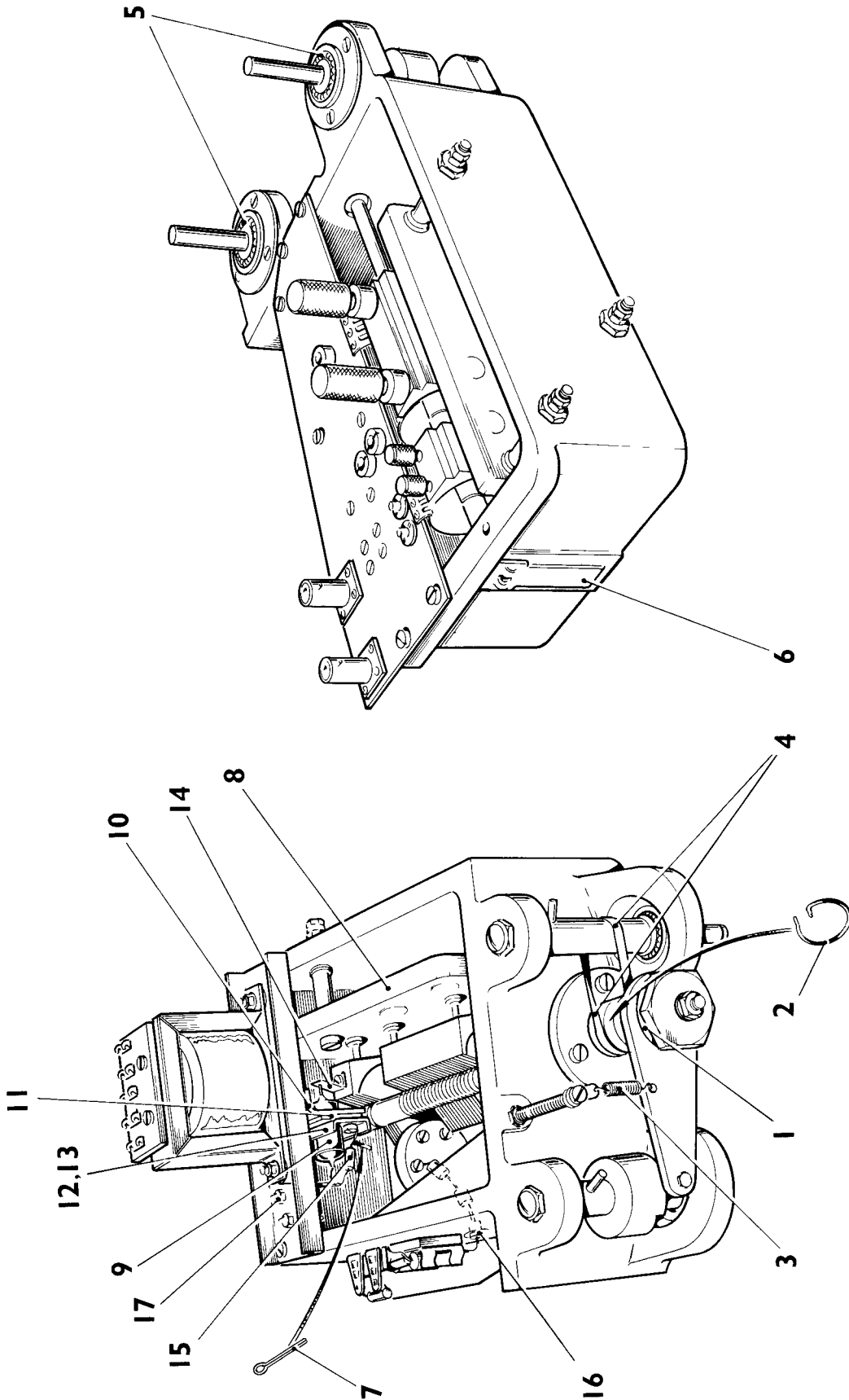


CHASSIS ASSEMBLY

ITEM PLATE No.	REF.	MANAGEMENT CODE			N.A.T.O. STOCK No. OR CATALOGUE No.	ITEM NAME OR DESIGNATION	ITEM DESCRIPTION	No. OFF	SCHEMATIC REF	DRAWING No. AND/OR REMARKS
		NAVY	ARMY	AIR FORCE						
1	D		Z1		CIRCUIT MAGNIFICATION METER CLAMP, LOOP	nylon; 3/16 in. id loop; 1/4 in. w; 9/64 in. dia. fixing hole	1	fig. 1	SSN(L)7-4/2	
2	D		X2		FUSE-LINK, ELECTRICAL	cartridge; glass; 1A, 350V ac	1	FS 1	Belling & Lee L1055/1A 23411-258	
3	D		Z1		FUSE-LINK, ELECTRICAL	cartridge; glass; 150 mA, 1000V ac	1	FS 2	Belling & Lee L1055/150 mA 23411-254	
4	D				SWITCH ASSEMBLY		1	SB	TM 5643 44226-021	
5	D		Z1		SWITCH, ROTARY, WAFER	2 poles; 10 positions; non-shorting; two wafers; SRBP	1		44226-012 TC 4428-463 24134-100	
6	D		Z40		RESISTOR, FIXED, FILM	non-insulated; 1 K ohms; ± 1%; 0.25W	10	R6-15	DEF 5112-A style RC2-E	
7	D		Z40		RESISTOR, FIXED, COMPOSITION	insulated; 150 ohms, ± 10%; 0.25W	2)		
8	D		Z40		RESISTOR, FIXED, COMPOSITION	insulated; 180 ohms, ± 10%; 0.25W	2)		
9	D		Z40		RESISTOR, FIXED, COMPOSITION	insulated; 220 ohms, ± 10%; 0.25W	2)		
10	D		Z40		RESISTOR, FIXED, COMPOSITION	insulated; 270 ohms, ± 10%; 0.25W	2)	DEF 5112-A style RC7-K	
11	D		Z40		RESISTOR, FIXED, COMPOSITION	insulated; 330 ohms, ± 10%; 0.25W	2)	Selected values as required in parallel	
12	D		Z40		RESISTOR, FIXED, COMPOSITION	insulated; 390 ohms, ± 10%; 0.25W	2)	with R19 & R20 for M1 meter calibration	
13	D		Z40		RESISTOR, FIXED, COMPOSITION	insulated; 470 ohms, ± 10%; 0.25W	2)		

ITEM No.	PLATE REF.	MANAGEMENT CODE			N.A.T.O. STOCK No. OR CATALOGUE No.	ITEM NAME OR DESIGNATION	ITEM DESCRIPTION	No. OFF	SCHEMATIC REF	DRAWING No. AND/OR REMARKS
		NAVY	ARMY	AIR FORCE						
1	E				TUNING UNIT		1	fig.1	TM 5639 (TE 28121) 46878-004	
2	E		Z4	6625-99-105-1853	TOP PLATE ASSEMBLY		1		TM 5640 (TD 28120)	
3	E		Z4	5340-99-104-9256	INJECTION RESISTOR ASSEMBLY		1	R26, 27 SKT A	TM 5641 44368-203	
4	E		Z4	5310-99-104-9292	INSERT, SCREW THREAD	br; flanged type; 3/8 in. dia, 40 tpi ext thd; 0.495 in. max. dia; plated	2		TB 27504 33652-701	
5	E		Z4	5970-99-105-0986	NUT, PLAIN, HEXAGON	3/8 in. by 40 dpi; Whit; br; Ag plated; 1/2 in. A/F, 0.093 in. thk.	3		TB 28365 33273-703	
6	E		Z4	6625-99-105-1000	INSULATOR, WASHER	SREB; 0.380 in. id; 0.500 in. od; 0.010 in. thk.	4		TB 25002/103 37436-515	
7	E		Z4	5340-99-104-9320	SPACER, SLEEVE 4	plastics; 0.380 in. id; 0.437 in. od; 0.060 in. lg.	2		TB 25002/151 37436-516	
8	E		Z4	5935-99-105-1851	INSERT, SCREW THREAD	br; flanged type; 3/8 in. dia. by 40 tpi ext thd; 0.50 in. max. dia, 0.437 in. o/a lg.	1		TB 27502 33652-301	
9	E		Z1	5305-99-105-0750	SOCKET, ELECTRICAL	fixed; br; panel mtg; coaxial, 50 ohms; male shell; locking	1	SKT B	Greenpar GE 35006G 23443-408	
10	E		Z4	6625-99-104-9251	SCREW, MACHINE	BA; br; fillister; slot drive; Ag plated no. 6 by 0.390 in. lg; normal class thd.	1		TA 4014/7 33515-357	
11	E		Z4	5330-99-104-9255	SPRING, LEAF	Be Cu; 2.262 in. lg, 0.25 in. w, 0.003 in. thk; 2 holes 0.116 in. dia.	1	L1, L2	TB 28367 35685-108	
12	E		Z4	6625-99-105-0756	WASHER, NONMETALLIC	SREB; 0.116 in. id; 5/16 in. od; 0.010 in. thk.	1		TB 25002/97 37432-123	
13	E		Z4	5305-99-970-2671	SPACER, SLEEVE	plastics; 0.116 in. id; 0.188 in. od; 0.060 in. lg.	1		TB 25002/107 37432-102	
14	E		Z2	6625-99-104-9367	SCREW MACHINE	br; fillister hd; slot drive; chromium plated screw 1/2 in. 4A fit; normal class thd.	1		TA 4008/4	
15	E		Z4	5310-99-104-9316	CONTACT, ELECTRICAL	Ag; 0.64 in. lg. by 0.313 in. w. by 0.10 in. approx. o/a lg.	2		TB 27519 31552-401	
16	E		Z4	5305-99-104-9336	NUT, PLAIN, KNURLED	BA; br; tin Ni on AG plated; no. 6 by 5/16 in. lg; knurled	4		TB 27499 33265-101	
17	E		Z4	3110-99-950-1415	THUMBSCREW	Whit. form; br; tin Ni on Ag; 1/2 in. dia. by 26 tpi; knurled hd.	4		TB 27500 33653-501	
18	E		IV6/NT7	5310-99-104-9356	BEARING, BALL, JOURNAL	single row; 0.25 in. bore; 0.62 in. od; 0.19 in. w; 00 fit	3		BMB Ltd. RCM 1-ZZ	
19	E		Z4	5310-99-104-9356	NUT, PLAIN, HEXAGON	BA; A1; double chamfer; 0 BA; 3/16 in. o/a h	1		TB 27506 33272-504	

F



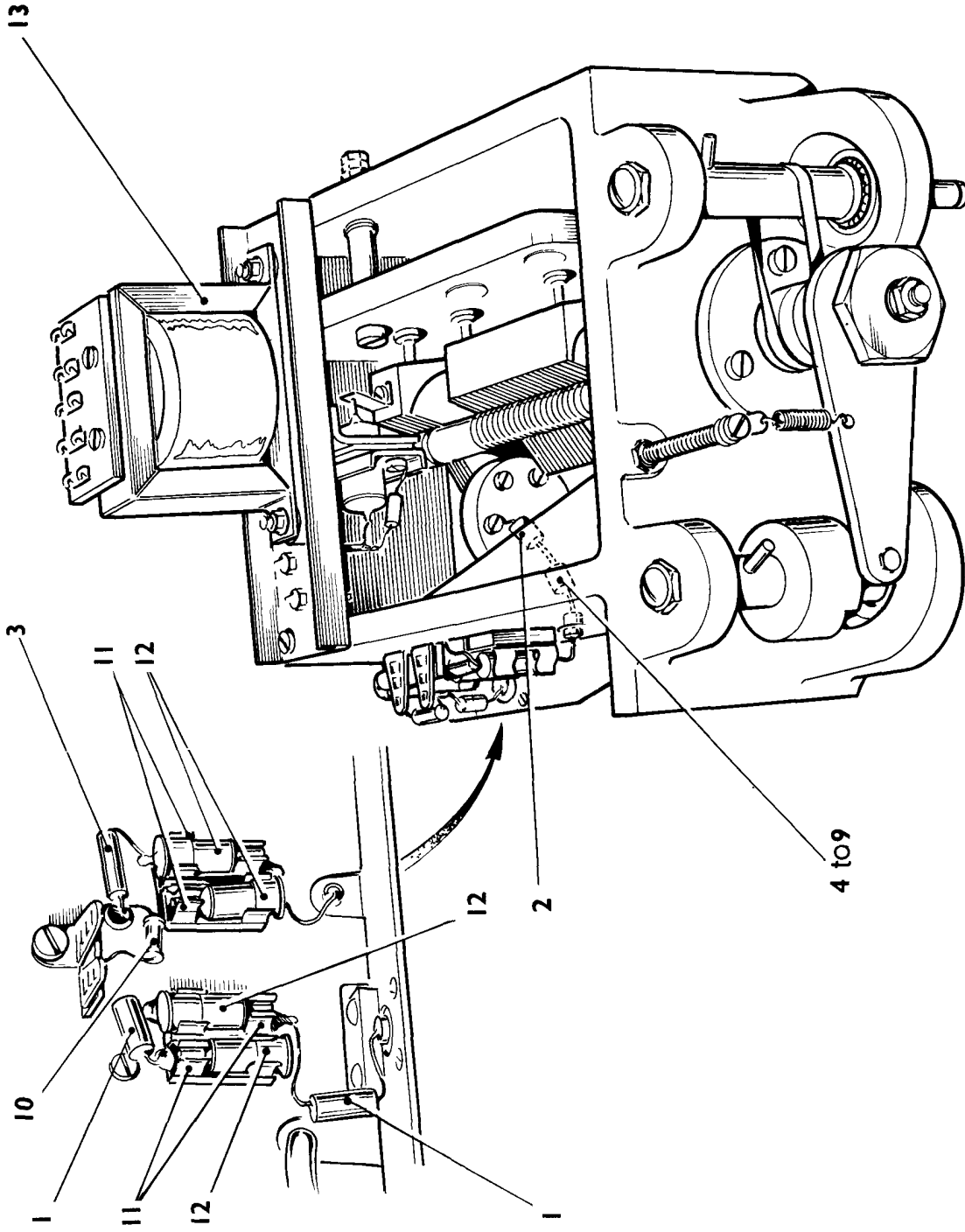
TUNING UNIT

E.S. 4116

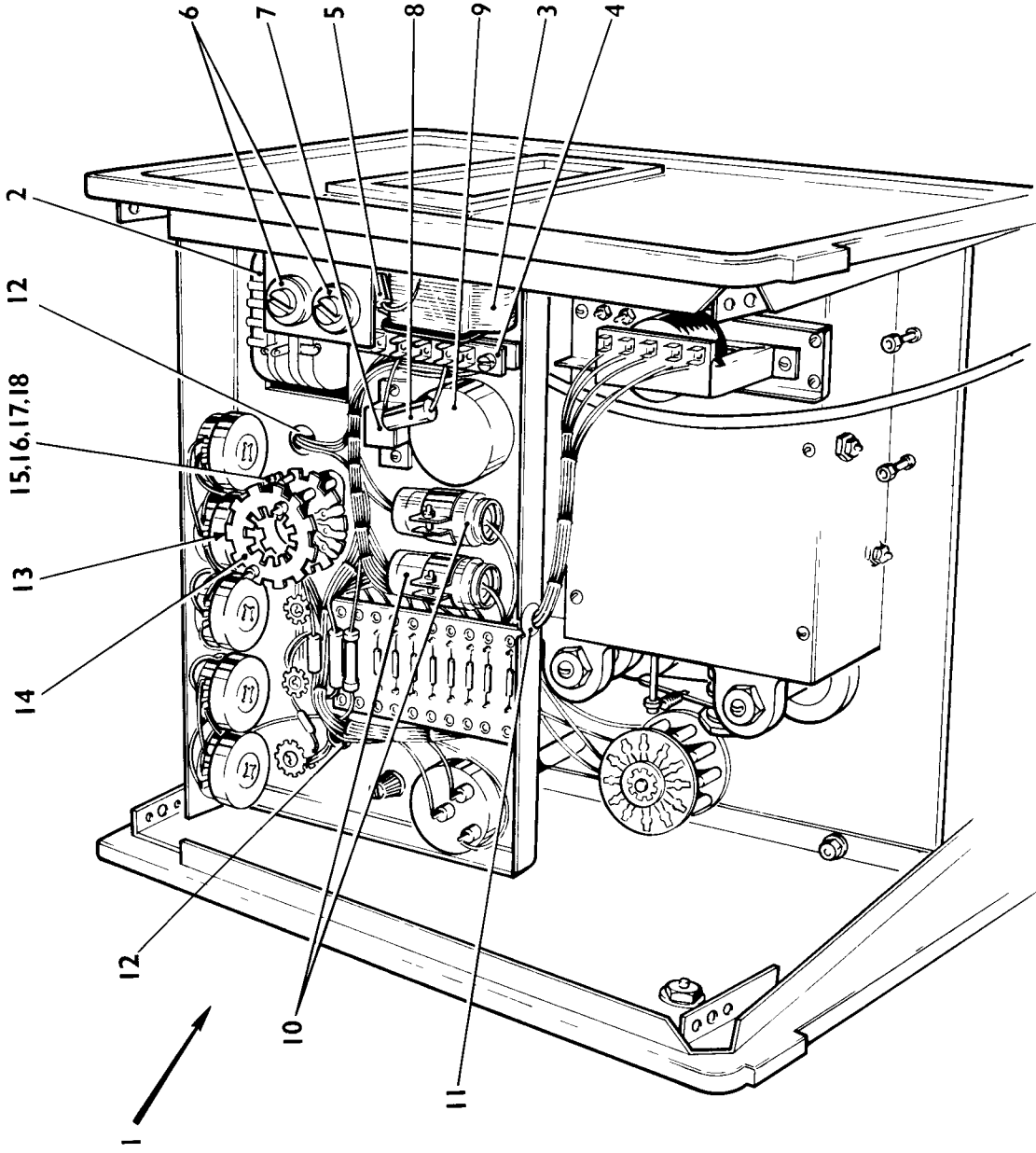
RESTRICTED

ITEM/PLATE No. REF.	MANAGEMENT CODE			N.A.T.O. STOCK No. OR CATALOGUE No.	ITEM NAME OR DESIGNATION	ITEM DESCRIPTION	No. OFF	SCHEMATIC REF	DRAWING No. AND/OR REMARKS
	NAVY	ARMY	AIR FORCE						
1 F		Z4		5310-99-104-9390	TUNING UNIT (contd) WASHER, DOUBLE SHOULDER	brass; 0.25in. id; 0.968in. od; 0.0625in. h; two shoulders, 0.437in. dia. by 0.031in. h	1	fig. 1	33851-106
2 F		Z4		5340-99-104-9381	SPRING, HELICAL COMPRESSION	steel; ½ active turn; ¼in. od, 1/8in. bent ends	1		31128-301
3 F		Z4		5340-99-104-9385	SPRING, HELICAL COMPRESSION	steel; 26 active turns; 5/32 in. od; loop ends	1		31121-119
4 F		Z4		6625-99-104-9384	DRIVE, TUNING	manually operated; spring steel; 2.812 in. lg; 0.125 in. w; 0.002in. thk; 2 holes 0.073in. dia, 2.667 c to c	2		34112-712
5 F		LV6/MT7		3110-99-950-0146	BEARING, BALL, SELF-ALIGNING	double row; 7 mm bore; 22 mm od; 7 mm w; 00 fit	2		22644-377
6 F		Z4		5340-99-104-9389	SPRING, LOADING, BALL BEARING	Be Cu; 2 in. lg; 0.720in. max. w; 0.022in. thk; 4 holes; 1 indentation	1		35685-103
7 F		Z4		5940-99-104-9368	CONTACT STRIP, RADIO FREQUENCY, EARTHING	phosphor bronze; 1-3/8 in. lg.	1		35122-504S
8 F		Z4		5970-99-104-9349	INSULATOR, PLATE	ceramic; rect; 5-1/8 in. lg; 2-7/16 in. w; 3/8 in. thk; 11 holes; 8 bosses	1		37157-106
9 F		Z42		5960-99-000-5140	VALVE, ELECTRONIC	CV 5140; EA 52	1	V4	28118-107R
10 F		Z42		5960-99-104-9355	HOLDER, SEMICONDUCTOR DEVICE	br; silver-pl; 1-¼ in. by 1-1/16 in. by 7/16 in; by 0.048 in. thk; ½ in. dia. centre hole; 2 holes 0.128 in. dia.	1		44512-01P
11 F		Z4		5970-99-104-9346	INSULATOR, PLATE	rect; 1.25 in. lg; 0.75 in. w; 0.002 in. thk; one hole 0.50 in. dia. centre hole; 2 holes 0.128 in. dia.	1		37155-110
12 F		Z4		3120-99-104-9411	BEARING, SLEEVE	plastics; 0.116 in. id, 0.18 in. od, 0.178in. o/a lg; w/flange 0.25 in. dia. by 0.032 in. thk.	2		37482-204
13 F		Z4		6625-99-104-9786	PLATE, RETAINING, ELECTRONIC VALVE	br; silver-pl; 1-7/16 in. lg. by 0.687 in. w. by 1/8 in. h.	1		35421-107
14 F		Z4		5340-99-104-9342	SPRING, LEAF	Be Cu; 7/8 in. o/a lg; ¼ in. w; 0.005 in. thk; hole 0.116 in. dia.	1		35311-402
15 F		Z30		5905-99-628-4617	RESISTOR, FIXED, FILM	insulated; 100 ohms, ± 2%; ¼W	1	R25	24773-249J
16 F		Z30		5905-99-631-3458	RESISTOR, FIXED, FILM	insulated; 47 ohms, ± 2%; ¼W	1	R30	24773-241A
17 F		Z31		5910-99-624-6779	CAPACITOR, FIXED, CERAMIC DIELECTRIC	uninsulated; 0.004µF; + 80 - 20%; 500V dc	3	C3, 5, 9	26373-665Z

ITEM PLATE No. REF.	MANAGEMENT CODE		N.A.T.O. STOCK No. OR CATALOGUE No.	ITEM NAME QR DESIGNATION	ITEM DESCRIPTION	No. OFF	SCHEMATIC REF	DRAWING No. AND/OR REMARKS
	NAVY	ARMY						
1		Z31	5910-99-107-3020	TUNING UNIT (contd) CAPACITOR, FIXED, METALLIZED PAPER DIELECTRIC	synthetic resin case; 0.001 μ F; \pm 10%; 500V dc working	2	fig. 1 C6, C7	26174-126
2		Z31	5910-99-625-2798	CAPACITOR, FIXED, ELECTROLYTIC	al electrode; processed foil; metal case; insulated; 47 μ F + 100 - 20%; 40V dc working;	1	C12	26415-810Z
3		Z31	5910-99-624-6746	CAPACITOR, FIXED, ELECTROLYTIC	al electrode; processed foil; metal case; insulated; 10 μ F, + 100 - 20%; 6V dc working	1	C13	26414-120
4		Z31	5910-99-942-4939	CAPACITOR, FIXED, CERAMIC DIELECTRIC	tub; insulated; 15pF, \pm 10%; 750V dc working	1	C14)	26322-796
5		Z31	5910-99-911-5394	CAPACITOR, FIXED, CERAMIC DIELECTRIC	tub; insulated; 22pF, \pm 10%; 750V dc working	1	C14)	26322-812
6		Z31	5910-99-948-2331	CAPACITOR, FIXED, CERAMIC DIELECTRIC	tub; insulated; 27pF, \pm 5%; 750V dc working	1	C14)	26322-812
7		Z31	5910-99-104-9834	CAPACITOR, FIXED, CERAMIC DIELECTRIC	tub; insulated; 33pF, \pm 10%; 750V dc working	1	C14)	26322-823
8		Z31	5910-99-104-9850	CAPACITOR, FIXED, CERAMIC DIELECTRIC	tub; insulated; 39pF, \pm 10%; 750V dc working	1	C14)	26322-823
9		Z31	5910-99-940-9691	CAPACITOR, FIXED, CERAMIC DIELECTRIC	tub; insulated; 47pF, \pm 10%; 750V dc working	1	C14)	26322-823
10		Z30	5905-99-618-9334	RESISTOR, THERMAL	3.5K ohms at 0°C, 1.5K ohms at 20°C, 560 ohms at 509C, 13.5V max.	1	TH2	25683-644G
11		Z37	5960-99-103-4543	HOLDER, SEMICONDUCTOR DEVICE	clip retaining; moulded base; CV 253 accommodated; 1-3/16 in. by 15/16 in. by 7/16 in. approx. dia.	4		44316-003
12		Z42	5960-99-037-3228	VALVE, ELECTRONIC	CV 8016 : CS2A	4	MR3-6	28346-121H
13		Z4	5950-99-104-9664	TRANSFORMER, POWER, ISOLATION	primary 6.3V single phase; secondary 6.3V at 300mA; 3 in. by 2-1/4 in. by 1-1/2 in. approx. o/a dia.	1	T3	43511-001
<u>N.B. Value of 14 to be selected in calibration</u>								



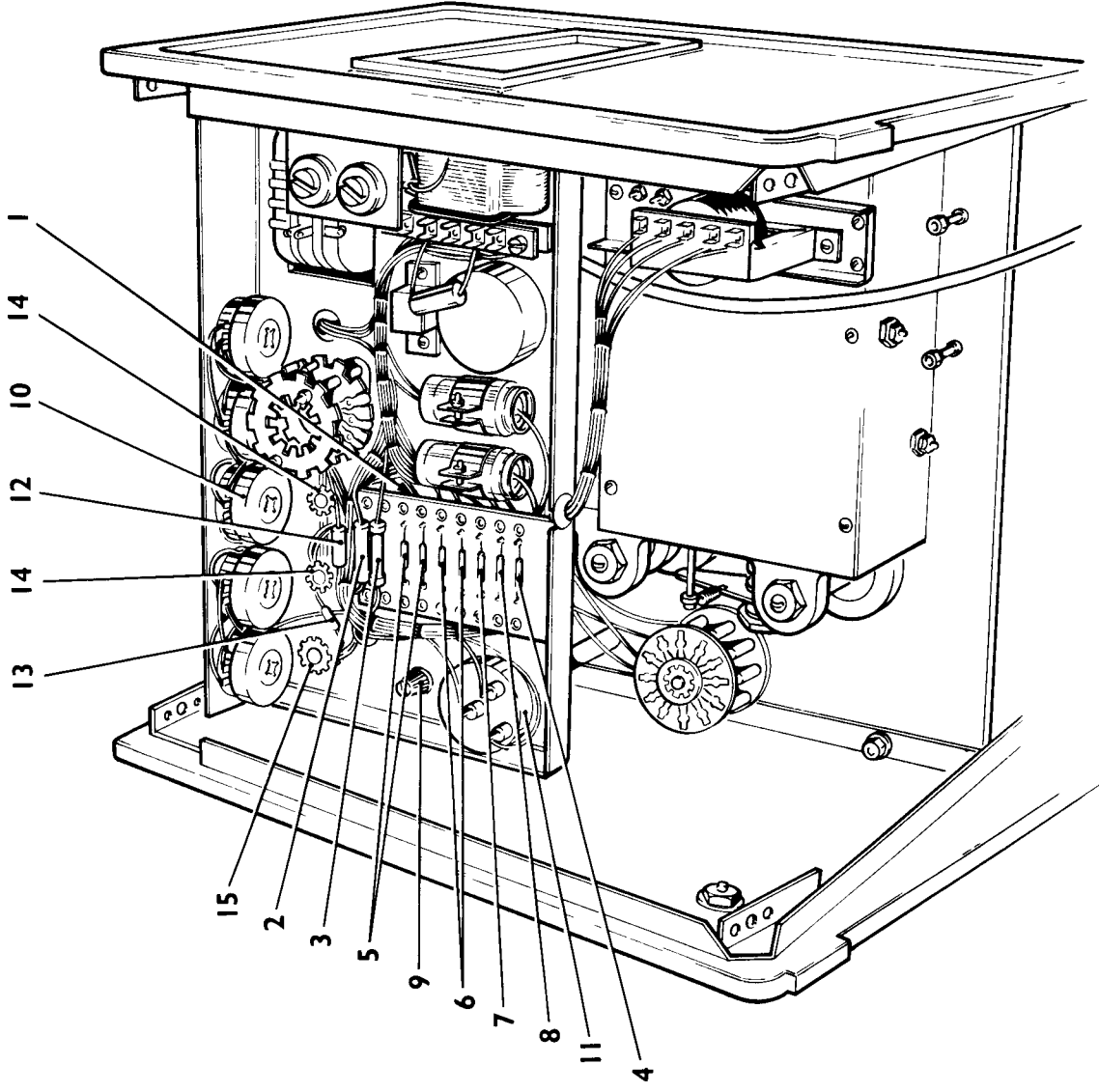
TUNING UNIT



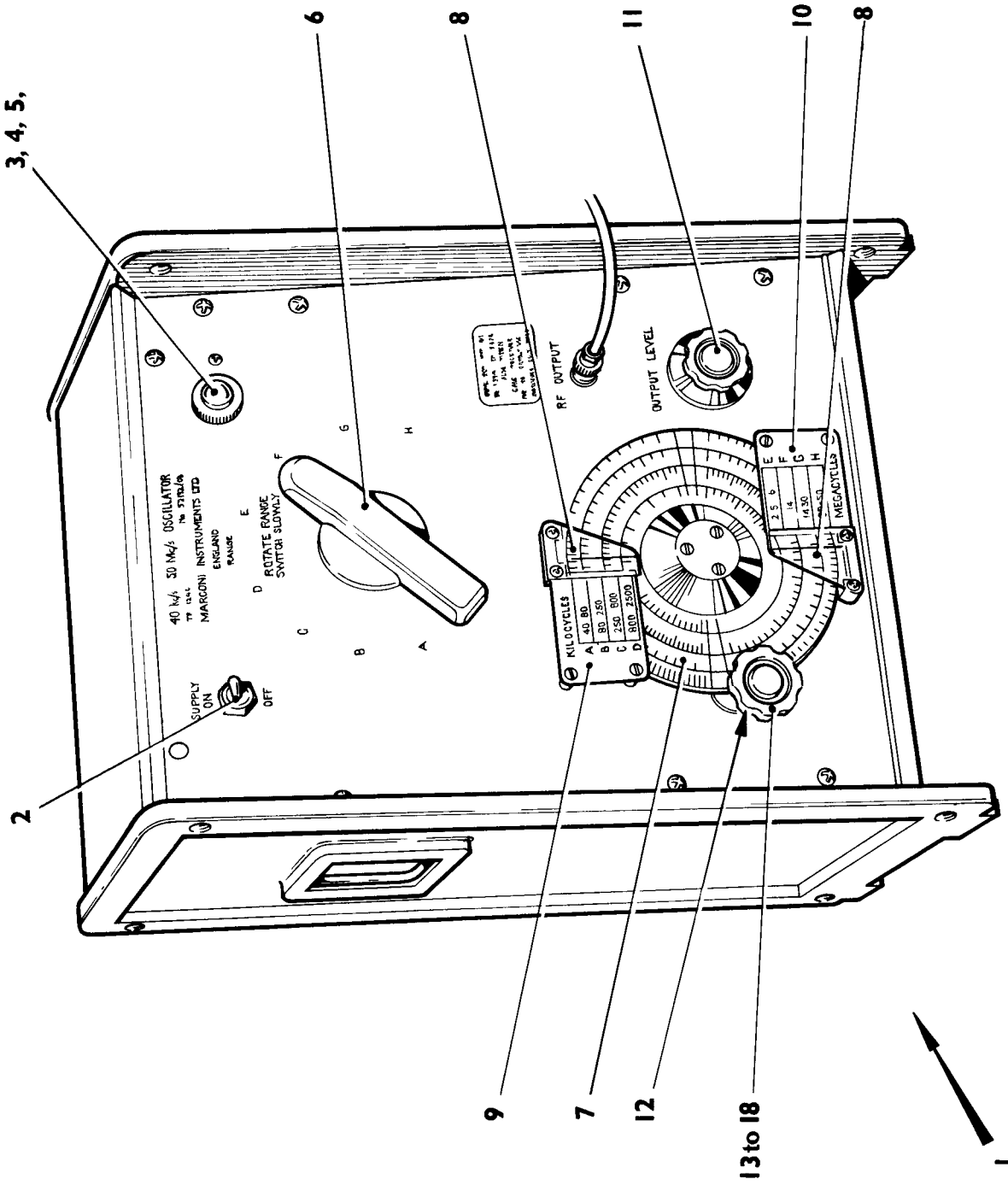
CHASSIS ASSEMBLY

ITEM PLATE No.	REF.	MANAGEMENT CODE			N.A.T.O. STOCK No. OR CATALOGUE No.	ITEM NAME OR DESIGNATION	ITEM DESCRIPTION	No. OFF	SCHEMATIC REF	DRAWING No. AND/OR REMARKS
		NAVY	ARMY	AIR FORCE						
1	H				CHASSIS ASSEMBLY		1	Fig. 1	TM 5642 46878-005	
2	H		Z4	5950-99-104-9419	TRANSFORMER, POWER, STEP-DOWN AND STEP-UP	primary 100 to 130V, 200 to 260V, 50 c/s; single phase; multi-secondaries; 2-5/8 in. by 2-1/2 in. by 3-1/2 in. approx. o/a dim.	1	T1	TC 25069/33 43461-018	
3	H		Z4	5940-99-104-9423	TRANSDUCTOR	3 coils; w/thermistor; 2 in. by 2 in. by 2-1/2 in. approx. o/a dim.	1	T2	TC 28135 43721-001	
4	H		Y3	5940-99-105-1765	TERMINAL BOARD	SRBP, 2-5/8 in. lg, 3/8 in. w, 1/16 in. thk. 5 lug terminals	1		Carr Fastener 3/8 in. O500	
5	H		Z50	5905-99-999-8950	RESISTOR, THERMAL	1.5 K ohms, at 20°C; 13.5V max.	1	TH1	S.T. & C. CZ3	
6	H		Z32	5920-99-059-0100	FUSE HOLDER	Extractor post type 7A, 250V single way	2		L1348	
7			Z4	5961-99-118-8475	SEMICONDUCTOR DEVICE, DIODE		2	MR1, 2	IN4006 28356-608	
8	H		Z1	5905-99-021-6294	RESISTOR, FIXED, FILM	non-insulated; 22 K ohms, ± 2%; 1W	1	R3	DEF 5112A style RC2E 24134-200	
9	H		Z30	5905-99-105-1559	RESISTOR, VARIABLE	wire wound; 30 K ohms, ± 10%; 3W; linear	1	RV2	Colvern CLR 4239 25615-303D	
10	H		Z30	5910-99-933-0495	CAPACITOR, FIXED, ELECTROLYTIC	Al electrode; processed foil; tub. metal case; insulated; 8µF, + 50 - 20%; 500V dc wkg.	2	C1, 2	Hunts L37/1 JF702T 26417-478G	
11	H		Z1	5325-99-344-8116	GROMMET, RUBBER	synthetic; groove 0.375 in. od, 0.070 in. w. 0.5 in. o.d., 0.257 in. h.	1		TA 6515/1 23187-151	
12	H		Z3	5325-99-580-0095	GROMMET, PLASTIC	PVC; 1/2 in. od of groove, 1/16 in. w of groove	2		Helvin HV 3110 23187-215	
13	H				SWITCH ASSEMBLY		1	SC	TM 5644 44323-315	
14	H		Z1	5930-99-104-9875	SWITCH, ROTARY, WAFER	2 poles; 4 position; non-shorting; two wafer SRBP	1		TC 4428-477 44323-310	
15	H		Z30	5905-99-021-5321	RESISTOR, FIXED, FILM	non-insulated; 4.7K ohms, ± 5%; 0.25W	1	R18	DEF 5112A style RC2E 23232-100	
16	H		Z30	5905-99-999-8495	RESISTOR, FIXED, FILM	non-insulated; 118 K ohms, ± 1%; 0.25W	1	R19	Welwyn C21 24136-118	
17	H		Z30	5905-99-105-1393	RESISTOR, FIXED, FILM	non-insulated; 28 K ohms, ± 1%; 0.25W	1	R20	Welwyn C21 24136-118	
18	H		Z30	5905-99-021-5705	RESISTOR, FIXED, FILM	non-insulated; 2 K ohms, ± 1%; 0.25W	1	R21	DEF 5112A style RC2E 24134-200	
19			Y3	5940-99-100-3405	TERMINAL BOARD	SRBP, 0.7502 in. by 0.375 in. by 0.062 in.	1		1514Z 23234-067	
20			Z1	5940-99-101-4562	TERMINAL BOARD	SRBP, 1-1/8 in. lg. 3/8 in. w, 1/16 in. thk.	1		1520Z 23234-104	

ITEM No	ITEM REF	MANAGEMENT CODE			N A T O STOCK No OR CATALOGUE No	ITEM NAME OR DESIGNATION	ITEM DESCRIPTION	No OFF	SCHEMATIC REF	DRAWING No AND/OR REMARKS
		NAVY	ARMY	AIR FORCE						
1	J		Z4		6625-99-104-9660	CHASSIS ASSEMBLY (contd) PANEL, ELECTRONIC CIRCUIT	SRBP, 3-15/16 in. lg; 2 in. w; 0.080 in. thk. 9 resistors	1	fig. 1	TM 4943/CU 44374-508B
2	J		Z30		5905-99-011-3503	RESISTOR, FIXED, WIRE WOUND	vitreous enamelled; 4.7 K ohms, ± 5%; 4.5W	1	R2	DEF 5111-1 RWV4-K 25126-600W
3	J		Z30		5905-99-105-1394	RESISTOR, FIXED, FILM	non-insulated; 5 K ohms, ± 5%; 1W	1	R4	Welwyn C24 25126-601D
4	J		Z30		5905-99-021-6061	RESISTOR, FIXED, FILM	non-insulated, 33 K ohms, ± 5%; 0.25W	1	R17	DEF 5112-A RC2-E 24232-122F
5	J		Z30		5905-99-021-6925	RESISTOR, FIXED, FILM	non-insulated; 330 K ohms, ± 5%; 0.25W	2	R22, 23	DEF 5112-A RC2-F 24232-148N
6	J		Z30		5905-99-021-5341	RESISTOR, FIXED, FILM	non-insulated; 6.3 K ohms, ± 5%; 0.25W	2	R28, 29	DEF 5112-A RC2-E 24232-106
7	J		Z30		5905-99-021-5301	RESISTOR, FIXED, FILM	non-insulated; 3.3 K ohms, ± 5%; 0.25W	1	R32	DEF 5112-A RC2-E 24232-094P
8	J		Z30		5905-99-104-9688	RESISTOR, ADJUSTABLE	1 K ohm, ± 10%; 0.5W	1	RV9	AB Metal Products 82W 25886-524C
9	J		Z30		5905-99-972-4710	RESISTOR, VARIABLE	wire wound; 5 K ohms, ± 10%; 3W; linear	5	RV1, 5-8	Colvern CLR-901C 25815-031P
10	J		Z30		5905-99-105-1558	RESISTOR, VARIABLE	wire wound; 30 K ohms, ± 10%; 3W; linear	1	RV3	Colvern CLR-901C
11	J		Z30		5905-99-646-2264	RESISTOR, VARIABLE	1 sect; composition; 1 M ohm; ± 20%; 2W rd; 6.3 mm dia; 1in. lg.	1	RV4	25645-499Z
12	J		Z30		5905-99-022-2153	RESISTOR, FIXED, COMPOSITION	insulated; 15 K ohms, ± 10%; 0.5W	1	R5	DEF 5112-A
13	J		Z30		5905-99-104-9172	RESISTOR, FIXED, FILM	insulated; 100 M ohms, ± 10% 500V max.	1	R24	Welwyn H.11 24288-171P
14	J		Z32		5935-99-056-0127	HOLDER, ELECTRONIC VALVE	7 pin; B7G	2		DEF 5251 style VH.B7G-1
15	J		Z32		5935-99-104-7926	HOLDER, ELECTRONIC VALVE	9 pin; B9A	1		TB 26905
16	J		Z30		5905-99-625-9983	RESISTOR, FIXED, FILM	15 K ohms; ± 2%; 1/4W	1	R35	24573-101N



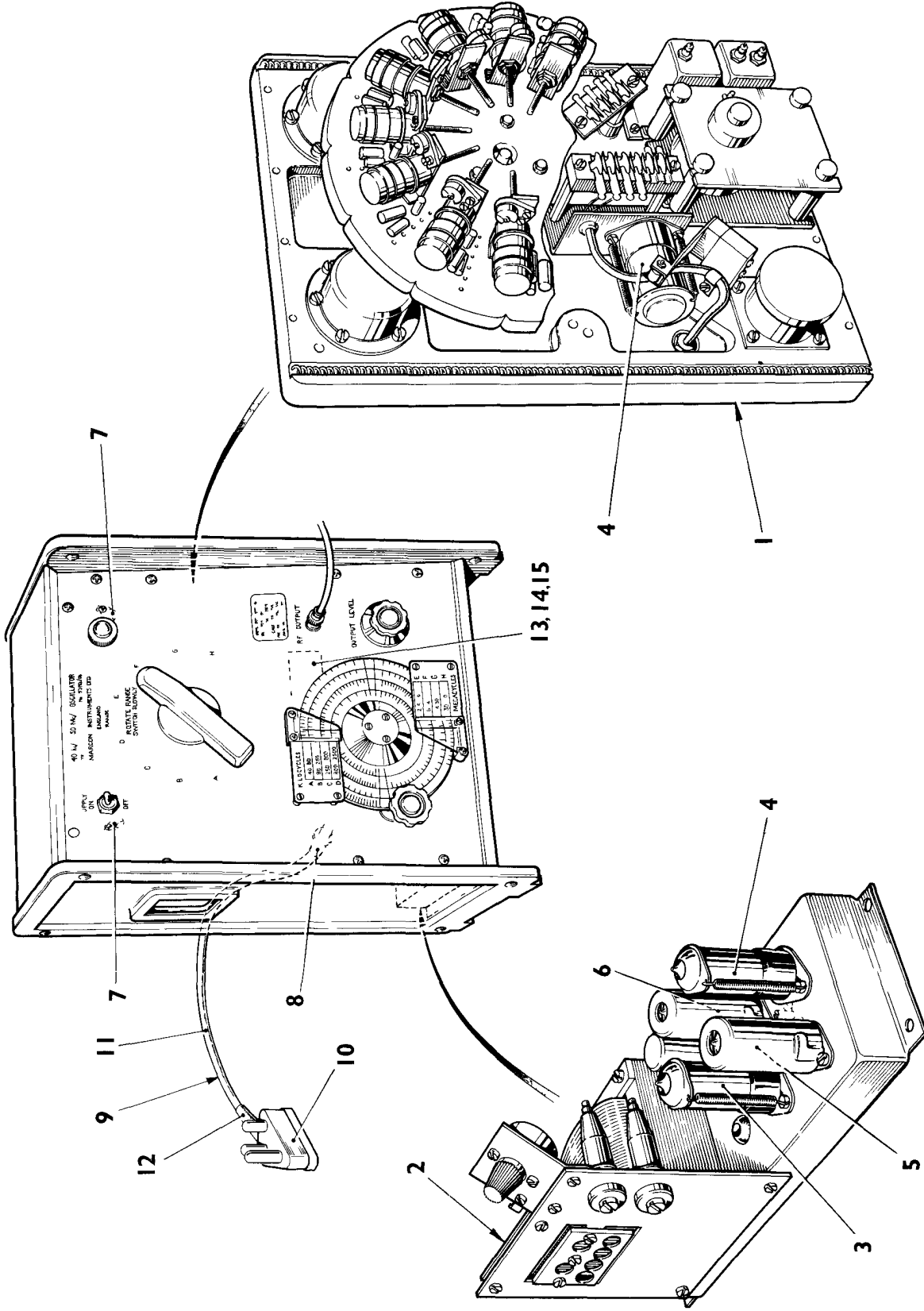
CHASSIS ASSEMBLY



TEST OSCILLATOR TF 1246

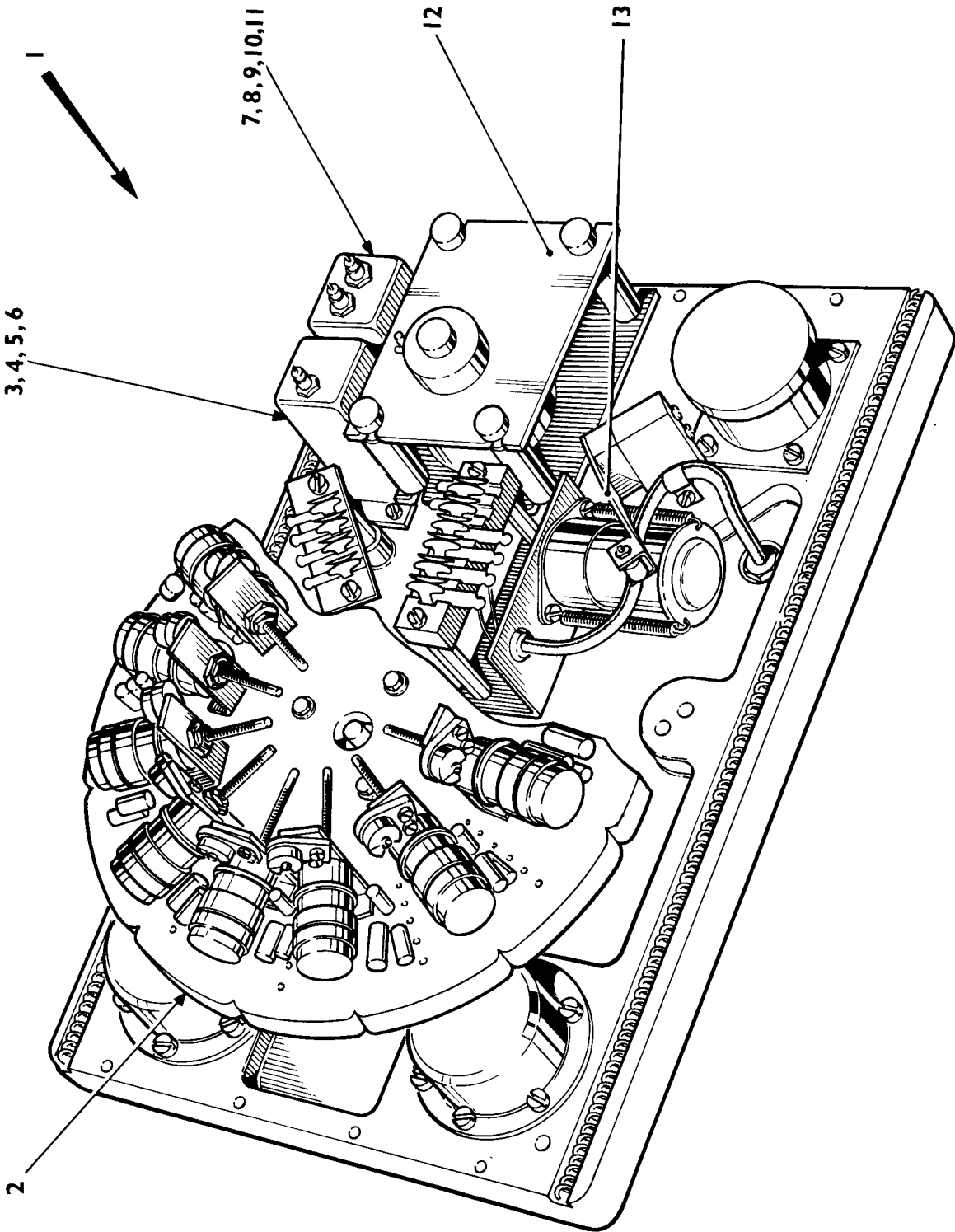
ITEM No.	ITEM REF.	MANAGEMENT CODE			N.A.T.O. STOCK No. OR CATALOGUE No.	ITEM NAME OR DESIGNATION	ITEM DESCRIPTION	No. OFF	SCHEMATIC REF	DRAWING No. AND/OR REMARKS
		NAVY	ARMY	AIR FORCE						
1	K		Z4		TEST OSCILLATOR	40 kc/s - 50 Mc/s;	1	fig. 2	TF 1246 46151-110	
2	K		Z32		SWITCH, LEVER OPERATED	2 pole; changeover; QMB; 3A; 250V ac/dc	1	SW101	44334-003	
3	K		Z1		LIGHT, INDICATOR	thd. bushing; mtg; miniature bayonet cap; 0.670 in. dia. mtg hole; w/lens, glass, red frosted face	1		23746-302	
4	K		Z4		BEZEL, LENS MOUNTING	plastics (alkyd); red aperture; 7/8 in. od, 19/64 in. h, thd 1/2 in. 26 tpi int. thd. mtg.	1		37484-304	
5	K		X5		LAMP, FILAMENT	6.3V; 0.15A; MCC; clear	1	FLP 101	23735-433F	
6	K		Z4		KNOB	plastics; setscrew type; bar shape; 3/8 in. bore, 4 in. by 5/8 in. by 1 in.	1		31147-105	
7	K		Z4		DIAL, SCALE	al; 4-1/4 in. dia; multi-scale markings	1		31765-108	
8	K		Z4		CURSOR, INDICATOR	perspek; triangular shape; 1-3/8 in. by 1-3/8 in. by 1-1/8 in.	2		31185-701	
9	K		Z4		PLATE, IDENTIFICATION	al; 1-1/2 in. by 1-3/8 in. by 0.048 in. inscribed KILOCYCLES and a range of values	1		31725-706	
10	K		Z4		PLATE, IDENTIFICATION	al; 1-1/2 in. by 1-3/8 in. by 0.048 in. inscribed "2.5 to 50 Mc/s".	1		31725-705	
11	K		Z4		KNOB	plastics; setscrew type; octofoil; 1/4 in. bore; 1-5/8 in. od, 23/32 in. thk; w/skirt	1		TM 9713/3 41142-219	
12	K				SLOW MOTION DRIVE	friction drive	1		TM 2564/BA 41336-349	
13	K		Z4		KNOB	phenolic-setscrew type; octagonal; 0.187 in. bore, 1-1/4 in. od, 5/8 in. thk; w/o skirt	1		31142-106	
14	K				SHAFT & DRIVING WHEEL ASSEMBLY		1		TM 2995/R 41336-355	
15	K		Z4		NUT, PLAIN, HEXAGON	Whit form; brass; chromium plated; 3/8 in.	1		33273-733	
16	K		LV6/WT1		RING, RETAINING	steel; "E" type; external; 5/32 in. shaft dia	1		22813-120	
17	K		Z4		RING, RETAINING	steel; circlip; external; 0.721 in. od	1		31128-302	
18	K		Z4		SHIM	steel; 0.055 in. id; 5/16 in. od; 0.005 in. thk.	2		33211-504	

ITEM No	TEMPLATE REF	MANAGEMENT CODE			N A T O STOCK No OR CATALOGUE No	ITEM NAME OR DESIGNATION	ITEM DESCRIPTION	No OFF	SCHEMATIC REF	DRAWING No AND/OR REMARKS
		NAVY	ARMY	AIR FORCE						
1	L				TEST OSCILLATOR (contd) OSCILLATOR UNIT	Marconi type TF 1246	1	fig.2 & 4	TM 5630 46817-032F For breakdown see page 25	
2	L				POWER UNIT		1		TM 5631 46741-027S For breakdown see page 41	
3	L		Z42	5960-99-000-4005	VALVE, ELECTRONIC	CV 4005	1	V1	MOS/CV 4005 28112-802	
4	L		Z42	5960-99-000-2129	VALVE, ELECTRONIC	CV 2129	2	V2, 101	MOS(A)/CV 129 28144-207	
5	L		Z42	5960-99-000-0850	VALVE, ELECTRONIC	CV 850	1	V3	MAP/CV 850 28152-482	
6	L		Z42	5960-99-000-0449	VALVE, ELECTRONIC	CV 449	1	V4	MAP/CV 449 28216-407	
7	L		Z42	5340-99-932-5187	CLAMP, LOOP	nylon; $\frac{1}{4}$ in. dia. loop; $\frac{1}{4}$ in. w; 9/64 in. fixing hole	2		SSM(L)-4/2 DEF-STAN 53-15	
8	L		Z1	5975-99-972-9531	PROTECTOR, ELECTRICAL CABLE	plastics; flange mtg; 1.562 in. lg; 0.5 in. dia.	2		Hellermann HV 2660	
9	L				MAINS LEAD		1		TM2560AG 43121-732J	
10	L		Z32	5935-99-900-4008	PLUG, ELECTRICAL	free; male shell; 3 pole at 5A, 250V ac	1		Crabtree 7113	
11	L		Y3	6145-99-901-3416	CABLE, ELECTRICAL	3 conductors; 7/0.0076 in. polythene insulated, PVC sheathed; 0.169 in. od	6 $\frac{1}{2}$ ft.		TC 23092/2 15760-721H	
12	L		Z1	5975-99-972-9531	PROTECTOR, ELECTRICAL CABLE	plastics; flange mtg; 1.562 in. lg; 0.5 in. dia.	1		Hellermann HV 2660	
13	L				COVER ASSEMBLY		1		TC 26603/1 41667-002	
14	L		Z4	5305-99-949-3480	SCREW, CAPTIVE	BA; br; fillister hd; chromium plated; no. 4; 11/32 in. lg.	1		TB 25040 33553-416	
15	L		Z2	5305-99-970-2671	SCREW, MACHINE	br; fillister hd; slot drive; chromium plated; screw $\frac{1}{2}$ in. 4A fit, normal class thd.	10		TA 4008/4 33515-333	
16	*		Z4	5325-99-947-9464	GROMMET, PLASTICS	PVC; 7/16 in. od of groove, 5/16 in. dia. hole, 5/8 in. od; $\frac{1}{4}$ in. o/a h	1		Hellermann HV 3242	



TEST OSCILLATOR TF 1246

RESTRICTED

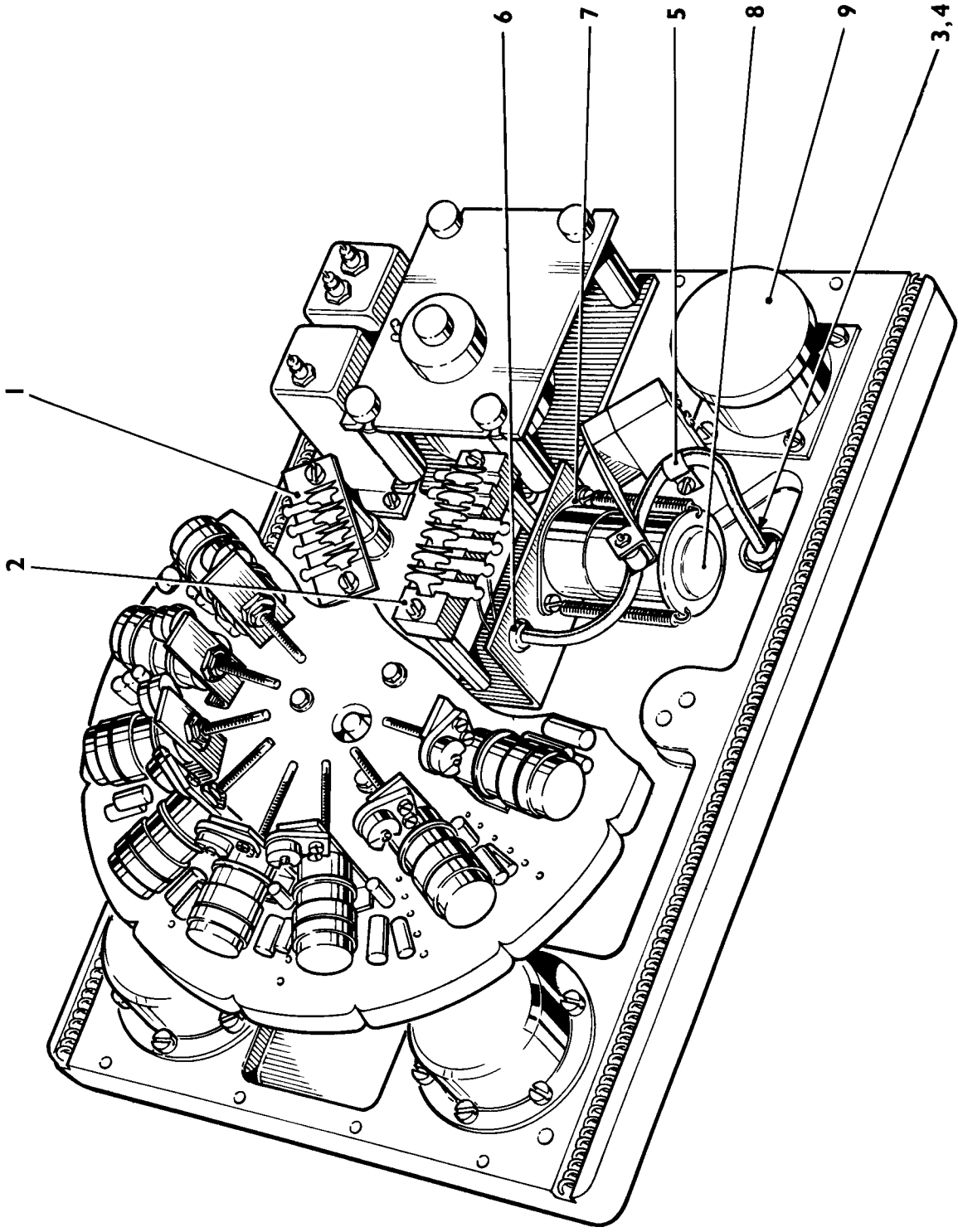


OSCILLATOR UNIT

ITEM PLATE No REF	MANAGEMENT CODE			N A T O STOCK No. OR CATALOGUE No	ITEM NAME OR DESIGNATION	ITEM DESCRIPTION	No OFF	SCHEMATIC REF	DRAWING No AND/OR REMARKS
	NAVY	ARMY	AIR FORCE						
1	M				OSCILLATOR UNIT		1	fig. 2	TM 5630 46817-032F
2	M				TURRET DISC ASSEMBLY		1		TM 5632 44447-016 For breakdown see page 29
3	M	Z4		5915-99-104-9788	FILTER SUBASSEMBLY	resistive type; 2 in. by 1 in. by 1 in. approx. dim.	1		TC 25869/4 44413-011
4	M	Z50		5905-99-011-3528	RESISTOR, FIXED, WIRE WOUND	resistive type; 2.2 K ohms, ± 5%; 3W	1	R101	DEF 5111-1 RWV4-J 25125-088
5	M	Z31		5910-99-911-1273	CAPACITOR, FIXED, CERAMIC DIELECTRIC	feed-through, bush mtg; 0.0047µF, + 100 - 0% 500V dc wkg.	2	C101, 102	TCC-CRH315/LT 26373-681
6	M	Z1		5325-99-945-7702	GROMMET, PLASTICS	PVC; groove 3/16 in. od, 1/16 in. w; 5/16 in. od, 3/16 in. h.	2		Hellermann HV 3219 23187-105
7	M	Z4		5915-99-104-9789	FILTER SUBASSEMBLY	resistive type; 2 in. by 1 in. by 1 in. approx. dim.	1		TC 25869/5 44414-084
8	M	Z4		5950-99-104-9787	INDUCTOR, RADIO FREQUENCY	100 turns; unscreened; iron dust core	1	L101	TB 23173/24 44264-606
9	M	Z4		5950-99-104-9365	INDUCTOR, RADIO FREQUENCY	26 turns; unscreened; iron dust core	1	L102	TB 23173/26 44247-001
10	M	Z31		5910-99-911-1273	CAPACITOR, FIXED, CERAMIC	feed-through, bush mtg; 0.0047 µF, + 100 - 0%; 500V dc wkg.	4	C106-109	TCC-CRH315/LT 26373-681
11	M	Z1		5325-99-945-7702	GROMMET, PLASTICS	PVC; groove 3/16 in. od, 1/16 in. w; 5/16 in. od, 3/16 in. h.	4		Hellermann HV 3219 23187-105
12	M	Z31		5910-99-104-9919	CAPACITOR, VARIABLE, AIR DIELECTRIC	plate meshing; 544 pF max.	1	C105	TC 27405 44436-012
13	M	Z4		6625-99-104-9790	SPRING, FLAT	1-13/16 in. lg; 3/4 in. tapering to 3/8 in. w; 0.020 in. thk.	1		TB 29926 35481-105

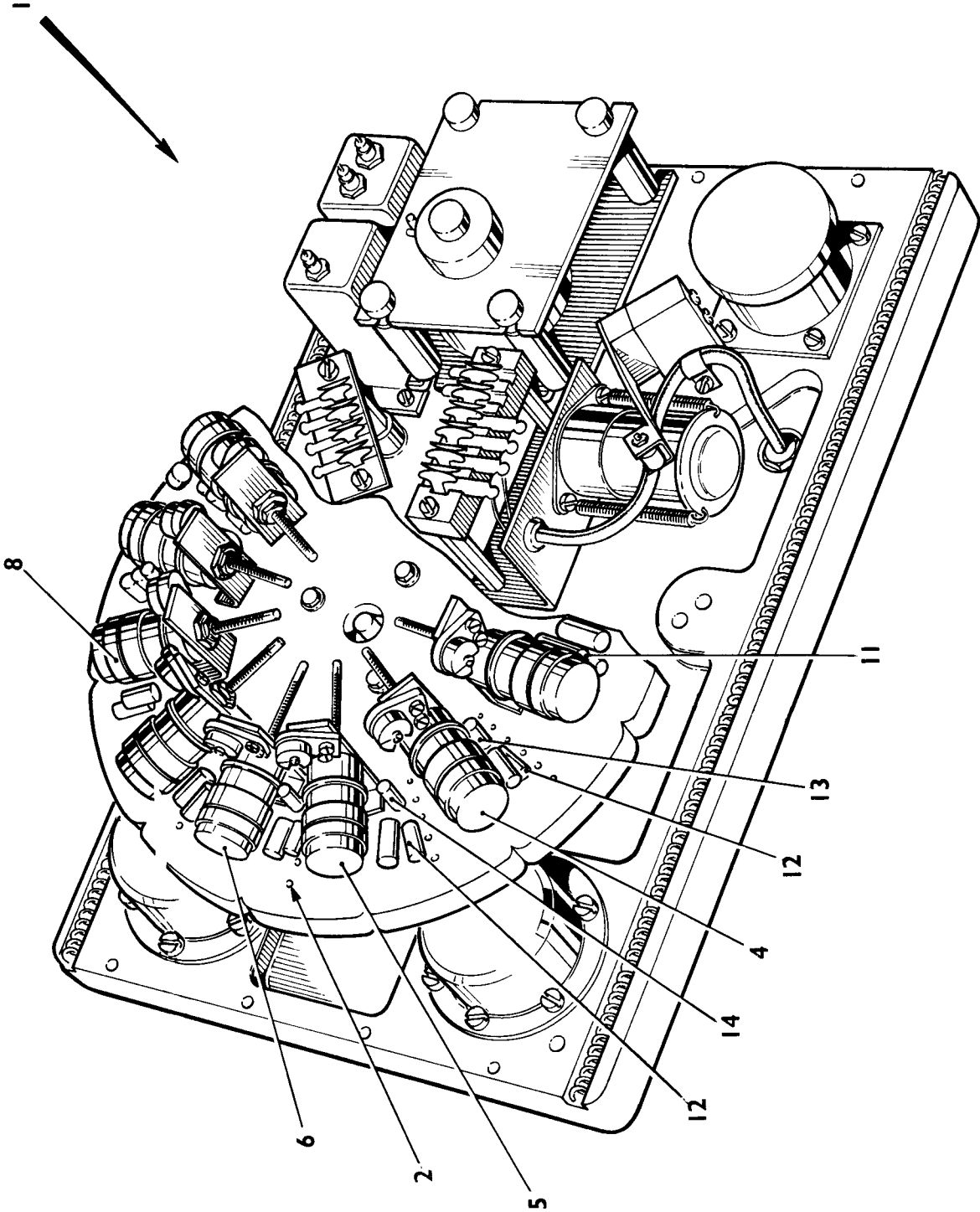
ITEM PLATE No. REF.	MANAGEMENT CODE			N.A.T.O. STOCK No. OR CATALOGUE No.	ITEM NAME OR DESIGNATION	ITEM DESCRIPTION	No. OFF	SCHEMATIC REF	DRAWING No. AND/OR REMARKS
	NAVY	ARMY	AIR FORCE						
1	N	Z4		6625-99-104-9962	OSCILLATOR UNIT (contd) CONTACT ASSEMBLY, ELECTRICAL	4 contacts	1	fig.2	TB 27418 44316-007
2	N	Z4		6625-99-104-9888	CONTACT ASSEMBLY, ELECTRICAL	6 contacts	1		TB 27417 44316-006
3	N	Z4		5995-99-104-9964	CABLE ASSEMBLY, RADIO FREQUENCY	coaxial; socket; free, straight, 1st end; 2nd end free; 7 in. approx. o/a lg.	1		TB 27420 43123-008
4	N	Z4		5935-99-105-1496	SOCKET, ELECTRICAL	fixed; plastics, through hole mtg; 1 pole, female shell, bayonet locking	1	SK101	TB 29991/1 43164-016
5	N	Z1		5340-99-932-5186	CLAMP, LOOP	nylon; 3/16 in. id loop; 1/4 in. w; 9/64 in. dia. fixing hole	1		SSM(L)7-4/2 23243-622
6	N	Z4		5325-99-945-3941	GROMMET, PLASTICS	PVC; groove 1/4 in. id, 1/16 in. w, 3/8 in. od; 9/32 in. h.	1		Hellerman HV 2214B 23187-132R
7	N	Z1		5935-99-104-7926	HOLDER, ELECTRONIC VALVE	9 pin; B9A	1		TB 26905 28237-263
8	N	Z42		5960-99-097-0291	RETAINER, ELECTRONIC VALVE	metal cap	1	RCL/257	RCL/257 VR1-D 28237-604i
9	N	Z30		5905-99-105-1575	RESISTOR, VARIABLE	wire wound; 50 K ohms, ± 10%; 3W, linear	1	RV101	Colvern CLR 4238/22 25815-387Y
10	*	Z30		5905-99-011-3328	RESISTOR, FIXED, WIRE WOUND	vitreous enam; 2.2 K ohms, ± 5%; 3W	1	R103	DEF 5111-1 style RWV4-J
11	*	Z31		5910-99-940-8456	CAPACITOR, FIXED, METALLIZED PAPER DIELECTRIC	tub. plastics case; 0.01 µF, ± 20%; 400V dc wk'g.	2	C103, 104	Hunts W99 26174-147
12	*	Z30		5905-99-624-6404	RESISTOR, FIXED, WIREWOUND	2.2K ohms, ± 5%; 3W	1	SIC	25125-088G
		Z30		5905-99-646-5120	RESISTOR, FIXED, WIREWOUND	2 K ohms, ± 5%, 3W	1	R114	25125-087F

N



OSCILLATOR UNIT

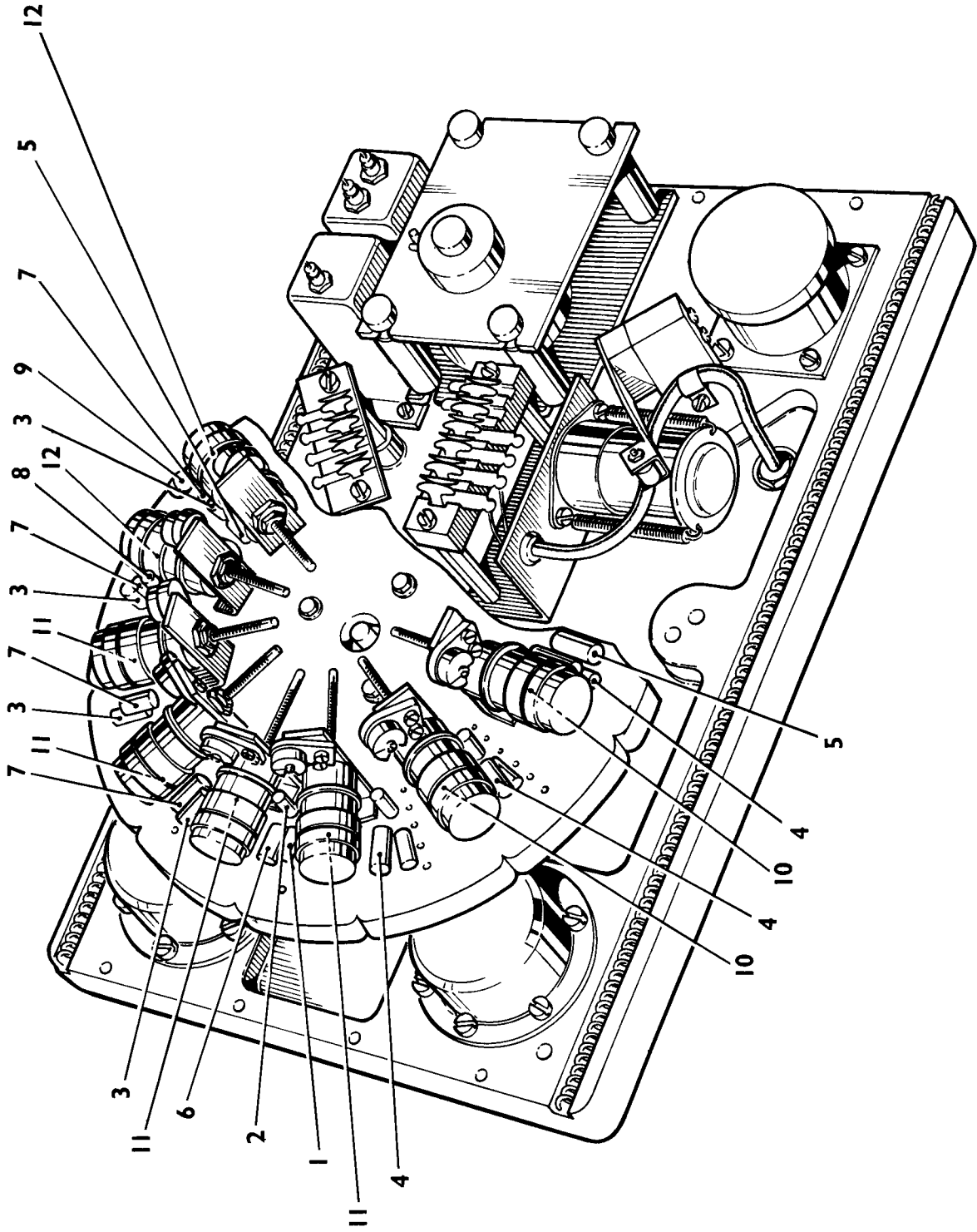
RESTRICTED



TURRET DISC ASSEMBLY

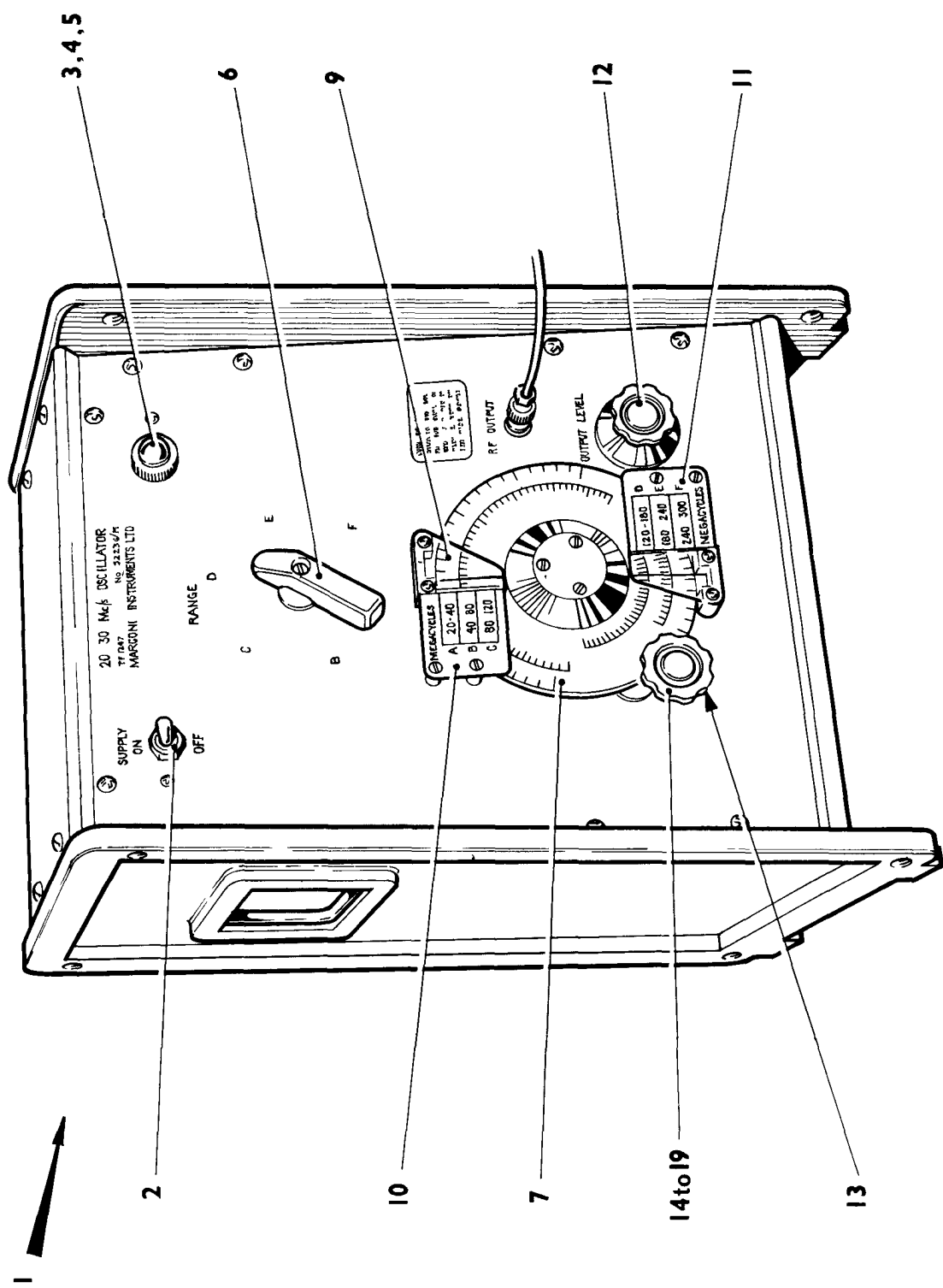
ITEM No.	PLATE REF.	MANAGEMENT CODE			N.A.T.O. STOCK No. OR CATALOGUE No.	ITEM NAME OR DESIGNATION	ITEM DESCRIPTION	No. OFF	SCHEMATIC REF	DRAWING No AND/OR REMARKS
		NAVY	ARMY	AIR FORCE						
1	P				TURRET DISC ASSEMBLY		1	fig.2	TM 5632 (TD 27422) 44447-016	
2	P		Z4	6625-99-104-9375	CONTACT, ELECTRICAL	Cu-Ag alloy; 0.968 in. o/a lg. by 0.188 in. w. by 0.062 in. thk.	46		TB 27424 31552-701	
3	P		Z4	6625-99-104-9376	OSCILLATOR, RADIO FREQUENCY	40-80 kc/s 'A'	1	L103	TB 27425/1 44274-405	
4	P		Z4	6625-99-104-9377	OSCILLATOR, RADIO FREQUENCY	80-250 kc/s 'B'	1	L104	TB 27425/2 44272-415	
5	P		Z4	6625-99-104-9378	OSCILLATOR, RADIO FREQUENCY	250-800 kc/s 'C'	1	L105	TB 27425/3 44266-404	
6	P		Z4	6625-99-104-9379	OSCILLATOR, RADIO FREQUENCY	800-2500 kc/s 'D'	1	L106	IR 27425/4 44261-001	
7	P		Z4	6625-99-104-9380	OSCILLATOR, RADIO FREQUENCY	2.5-6 Mc/s 'E'	1	L107	TB 27425/5 44248-006	
8	P		Z4	6625-99-104-9780	OSCILLATOR, RADIO FREQUENCY	6-14 Mc/s 'F'	1	L108	TB 27425/6 44234-004	
9	P		Z4	6625-99-104-9781	OSCILLATOR, RADIO FREQUENCY	14-30 Mc/s 'G'	1	L109	TB 27425/7 44222-002	
10	P		Z4	6625-99-104-9782	OSCILLATOR, RADIO FREQUENCY	30-50 Mc/s 'H'	1	L110	TB 27425/8 44228-010	
11	P		Z30	5905-99-022-3039	RESISTOR, FIXED, COMPOSITION	insulated; 100 K ohms, ± 10%; 0.5W	1	R102	DEF 5112-A style RC7-H 24573-121R	
12	P		Z30	5905-99-022-3037	RESISTOR, FIXED, COMPOSITION	insulated; 100 K ohms, ± 10%; 0.25W	2	R104, 106	DEF 5112-A style RC7-K 24773-321L	
13	P		Z30	5905-99-022-1172	RESISTOR, FIXED, COMPOSITION	insulated; 330 ohms, ± 10%, 0.25W	1	R105	DEF 5112-A style RC7-K 24773-261D	
14	P		Z30	5905-99-022-1151	RESISTOR, FIXED COMPOSITION	insulated; 220 ohms, ± 10%; 0.25W	1	R107	DEF 5112-A style RC7-K 24773-257W	

ITEM PLATE No	REF	MANAGEMENT CODE			N.A.T.O. STOCK No. OR CATALOGUE No.	ITEM NAME OR DESIGNATION	ITEM DESCRIPTION	No OFF	SCHEMATIC REF	DRAWING No AND/OR REMARKS
		NAVY	ARMY	AIR FORCE						
1	Q		Z30		5905-99-022-2148	TURRET DISC ASSEMBLY (contd) RESISTOR, FIXED, COMPOSITION	insulated, 15 K ohms, \pm 10%; 0.25W	1	fig.2 R108	DEF 5112-A style RC7-K 24773-301P
2	Q		Z30		5905-99-022-1043	RESISTOR, FIXED, COMPOSITION	insulated; 33 ohms, \pm 10%; 0.25W	1	R109	DEF 5112-A style RC7-K 24773-237K
3	Q		Z30		5905-99-022-2066	RESISTOR, FIXED, COMPOSITION	insulated; 3.3 K ohms, \pm 10%; 0.5W	4	R110-113	DEF 5112-A style RC7-K 24573-085P
4	Q		Z31		5910-99-911-5394	CAPACITOR, FIXED, CERAMIC DIELECTRIC	tub; insulated; 22 pF, \pm 10%; 750V dc wkg.	3	C110, 113 115	Erie N750K 26322-808
5	Q		Z31		5910-99-947-3305	CAPACITOR, FIXED, CERAMIC DIELECTRIC	tub; insulated; 47 pF, \pm 2%; 750V dc wkg.	2	C112, 127	Erie N750AD 26324-833
6	Q		Z31		5910-99-012-7113	CAPACITOR, FIXED, CERAMIC DIELECTRIC	tub. insulated; 100 pF, \pm 2%; 750V dc wkg.	1	C117	DEF 5113-1 style OCA1-F 26322-897
7	Q		Z31		5910-99-940-9688	CAPACITOR, FIXED, METALLIZED PAPER DIELECTRIC	tub; plastics case; 300 pF, \pm 2%; 600V dc wkg.	4	C119, 121 123, 126	Hunts W94 List No. B.824 26174-119
8	Q		Z31		5910-99-012-3678	CAPACITOR, FIXED, MICA DIELECTRIC	metallized, rect. plastics case; 390 pF, \pm 5%; 750V dc wkg.	1	C125	DEF 5132 style OMM1-G 26252-208
9	Q		Z31		5910-99-012-3663	CAPACITOR, FIXED, MICA DIELECTRIC	metallized, rect. plastics case; 150 pF, \pm 5%; 750V dc wkg.	1	C128	DEF 5132 style OMM1-G 26252-170
10	Q		Z4		6625-99-104-9783	CORE, ADJUSTABLE TUNING	iron dust; 0.625 in. dia. by 0.75 in. lg; br. insert 4BA by 1-13/16 in; grade 100	2		Neosid Ltd. 0.625 x 0.75 (4BA x 1-13/16) grade 100 23635-321
11	Q		Z4		6625-99-104-9784	CORE, ADJUSTABLE TUNING	iron dust; 0.625 in. dia. by 0.75 in. lg; br. insert 4BA by 1-13/16 in; grade 500	4		Neosid Ltd. 0.625 x 0.75 (4BA x 1-13/16) grade 500 23635-322
12	Q		Z4		6625-99-104-9785	CORE, ADJUSTABLE TUNING	iron dust; 0.625 in. dia. by 0.75 in. lg; br. insert 4BA by 1-13/16 in; grade 900	2		Neosid Ltd. 0.625 x 0.75 (4BA x 1-13/16) grade 900 23635-323



TURRET DISC ASSEMBLY

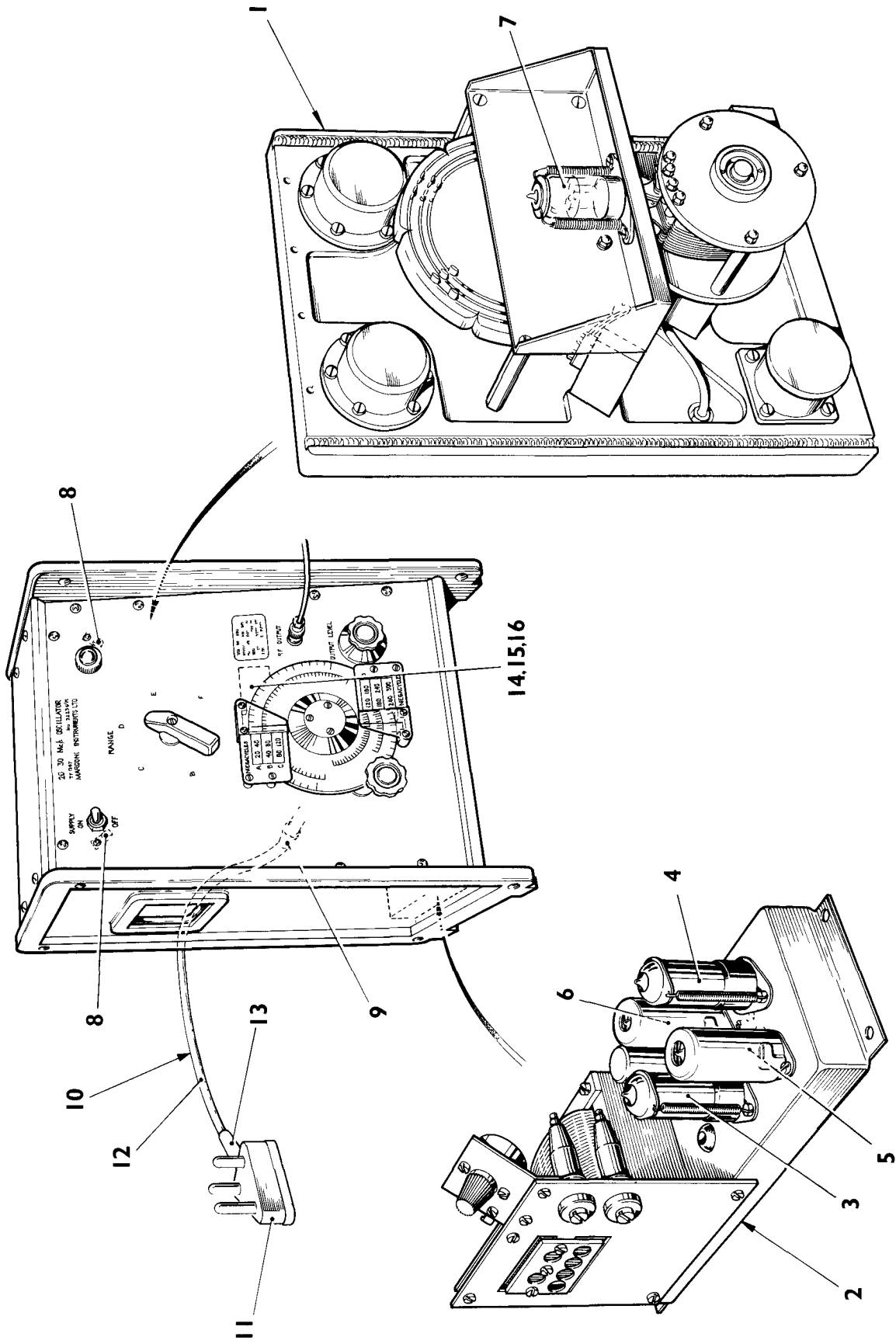
RESTRICTED



TEST OSCILLATOR TF1247

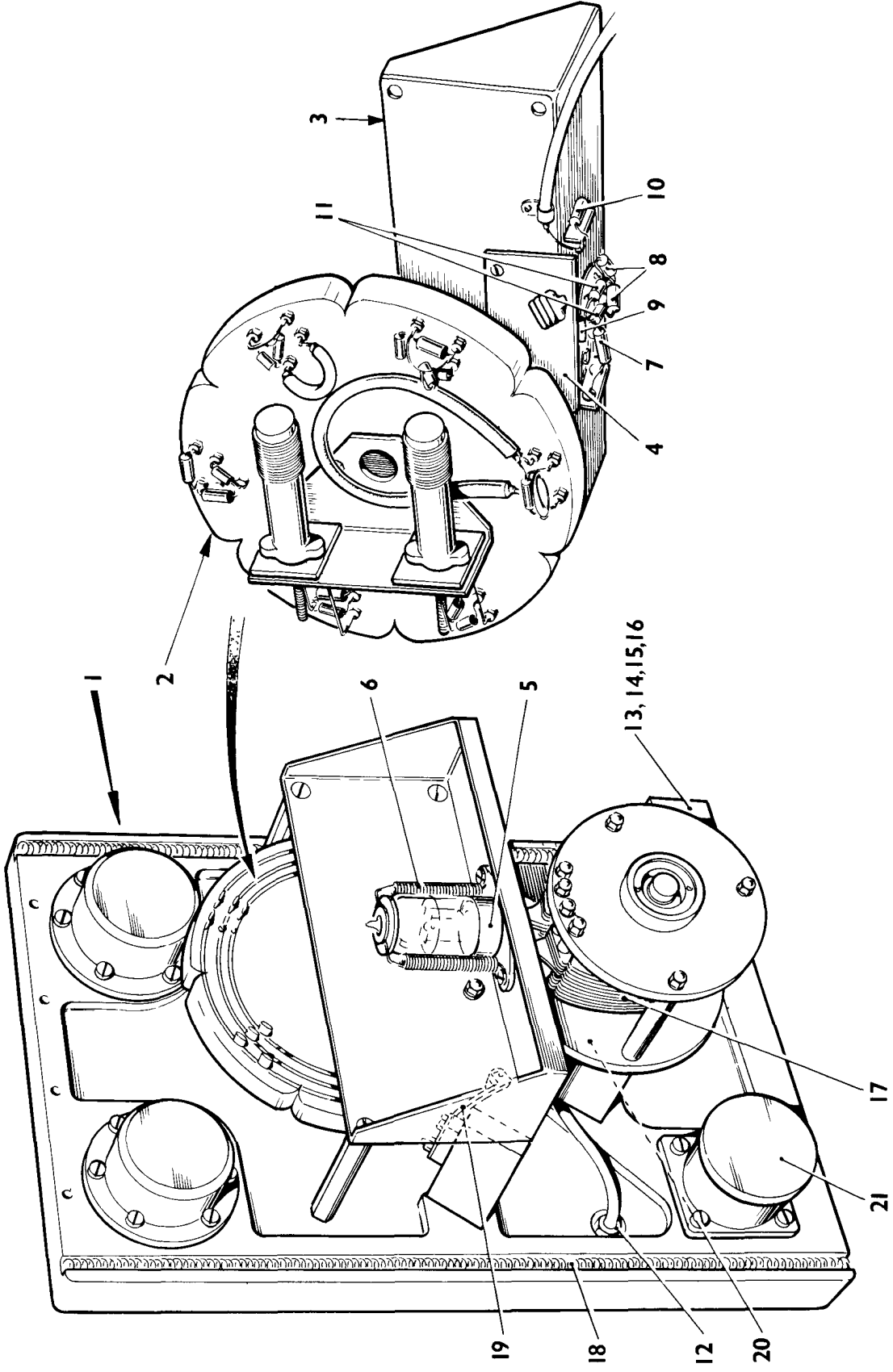
ITEM No.	PLATE REF.	MANAGEMENT CODE			N.A.T.O. STOCK No. OR CATALOGUE No.	ITEM NAME OR DESIGNATION	ITEM DESCRIPTION	No. OFF	SCHEMATIC REF	DRAWING No. AND/OR REMARKS
		NAVY	ARMY	AIR FORCE						
1	R		Z4		6625-99-103-1073	TEST OSCILLATOR	1	fig. 3	TF 1247 46151-109	
2	R		Z32		5930-99-943-9141	SWITCH, LEVER OPERATED	1	SW 201	44334-003	
3	R		Z4		6210-99-933-1611	LIGHT, INDICATOR	1		23746-302A	
4	R		Z4		6210-99-104-6714	BEZEL, LENS MOUNTING	1		37484-304	
5	R		X5		6240-99-995-9148	LAMP, FILAMENT	1	PLP 201	23735-433F	
6	R		Z4		5355-99-104-9361	KNOB	1		31147-108T	
7	R		Z4		6625-99-105-1497	DIAL, SCALE	1		31764-704	
8	*		Z4		6625-99-109-5957	DIA, BLANK	1		33244-514	
9	R		Z4		5355-99-104-9792	CURSOR, INDICATOR	2		31185-701	
10	R		Z4		6625-99-105-1499	PLATE, DESIGNATION	1		31725-707	
11	R		Z4		6625-99-105-1500	PLATE, DESIGNATION	1		31725-708	
12	R		Z4		5355-99-622-8281	KNOB	1		TM 0713/3 41142-214	
13	R					SLOW MOTION DRIVE	1		TM 2564/B 41336-350	
14	R		Z4		5355-99-105-1492	KNOB	1		31142-106	
15	R					SHAFT & DRIVE WHEEL ASSEMBLY	1		TM 2995R 41336-355	
16	R		Z4		5310-99-105-1494	NUT, PLAIN, HEXAGON	1		33273-733	
17	R		LV6/MT1		5365-99-942-6282	RING, RETAINING	1		22813-120	
18	R		Z4		5365-99-970-2677	RING, RETAINING	1		31128-302	
19	R		Z4		5340-99-105-1493	SHAFT	2		33211-504	

ITEM PLATE No. REF.	MANAGEMENT CODE			N.A.T.O. STOCK No. OR CATALOGUE No.	ITEM NAME OR DESIGNATION	ITEM DESCRIPTION	No. OFF	SCHEMATIC REF	DRAWING No. AND/OR REMARKS
	NAVY	ARMY	AIR FORCE						
1 S					TEST OSCILLATOR (contd) OSCILLATOR UNIT	Marconi type TF 1247	1	fig. 3 & 4	TM 5634 (TD 27451) 46817-031J For breakdown see page 37
2 S					POWER UNIT		1		TM 5631 (TD 27435) 46741-027S For breakdown see page 41
3 S		Z42		5960-99-000-4005	VALVE, ELECTRONIC	CV 4005	1	V1	MOS/CV 4005 28112-802
4 S		Z42		5960-99-000-2129	VALVE, ELECTRONIC	CV 2129	1	V2	MOS/CV 2129 28144-207
5 S		Z42		5960-99-000-0850	VALVE, ELECTRONIC	CV 850	1	V3	MAP/CV 850 28152-482
6 S		Z42		5960-99-000-0449	VALVE, ELECTRONIC	CV 449	1	V4	MAP/CV 449 28216-237
7 S		Z42		5960-99-000-2466	VALVE, ELECTRONIC	CV 2466	1	V201	MOS/CV 2466 28144-407
8 S		Z1		5340-99-932-5187	CLAMP, LOOP	nylon; $\frac{1}{4}$ in. dia. loop. $\frac{1}{4}$ in. w. $\frac{9}{64}$ in. dia. fixing hole	2		SSM(L)7-4/2 DEF STAN 53-15
9 S		Z1		5975-99-972-9531	PROTECTOR, ELECTRICAL CABLE	plastics; flange mtg; 1.562 in. lg; 0.5 in. dia.	2		Hellermann HV 2660
10 S					MAINS LEAD		1		TM 2560AQ 43121-732J
11 S		Z32		5935-99-900-4008	PLUG, ELECTRICAL	free; male shell; 3 pole at 5A, 250V ac	1	PL201	Crabtree 7113
12 S		Y3		6145-99-901-3416	CABLE, ELECTRIC	3 conductors; 7/0.0076 in. polythene, insulated PVC sheathed, 0.169 in. od.	6 $\frac{1}{2}$ ft		TC 22092/2 15760-721H
13 S		Z1		5975-99-972-9531	PROTECTOR, ELECTRICAL CABLE	plastics; flange mtg; 1.562 in. lg; 0.5 in. dia.	1		Hellermann HV 2660
14 S					COVER ASSEMBLY		1		TC 26603/1 41661-002
15 S		Z4		5305-99-949-3480	SCREW, CAPTIVE	BA; br; fillister hd; chromium plated; no. 4; $1\frac{1}{32}$ in. lg.	1		TB 25040 33553-416
16 S		Z2		5305-99-970-2671	SCREW, MACHINE	br; fillister hd, slot drive, chromium plated; screw $\frac{1}{2}$ in. $\frac{1}{4}$ in. $\frac{1}{4}$ in. fit, normal class thd.	10		TA 4008/4 33515-333
17 *		Z4		5325-99-947-9464	GROMMET, PLASTICS	PVC; $\frac{7}{16}$ in. od of groove, $\frac{5}{16}$ in. dia. hole; $\frac{5}{8}$ in. od; $\frac{1}{4}$ in. o/a h.	1		Hellermann HV 3242



TEST OSCILLATOR TF1247

RESTRICTED



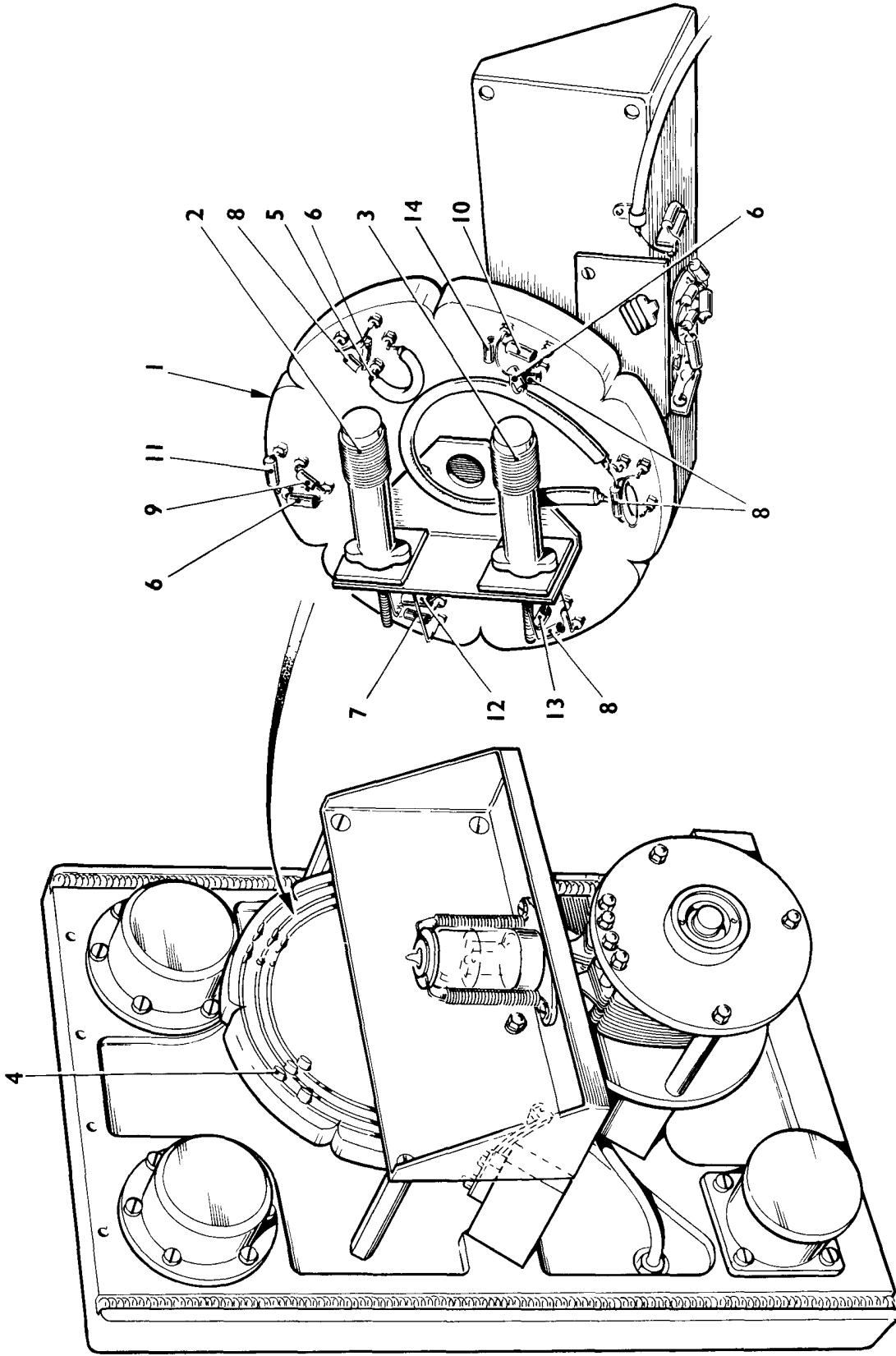
TURRET DISC ASSEMBLY

ITEM PLATE No. REF.	MANAGEMENT CODE			N.A.T.O. STOCK No. OR CATALOGUE No.	ITEM NAME OR DESIGNATION	ITEM DESCRIPTION	No. OFF	SCHEMATIC REF	DRAWING No. AND/OR REMARKS
	NAVY	ARMY	AIR FORCE						
1	T				OSCILLATOR UNIT		1	fig. 3	TM 5634 (46817-031J)
2	T				TURRET DISC ASSEMBLY		1		TM 5635 (44447-014) *For breakdown see page 38
3	T				CHASSIS ASSEMBLY		1		TM 5636 (44455-024G)
4	T		Z4	6625-99-104-9364	CONTACT PLATE ASSEMBLY		1		TB 27455 44316-004
5	T		Z32	5935-99-104-7926	HOLDER, ELECTRONIC VALVE		1		TB 26905 28237-263
6	T		Z42	5960-99-097-0291	RETAINER, ELECTRONIC VALVE		1		RCL style VK1-D 28237-604N
7	T		Z4	5950-99-104-9794	TRANSFORMER, RADIO FREQUENCY		1	L203-204	TB 27474 44264-203
8	T		Z30	5905-99-022-2214	RESISTOR, FIXED, COMPOSITION		2	R201,202	DEF 5112-A RC7K 24773-313H
9	T		Z30	5905-99-022-1106	RESISTOR, FIXED, COMPOSITION		1	R203	DEF 5112-A RC7K
10	T		Z31	5910-99-940-8455	CAPACITOR, FIXED, METALLIZED PAPER DIELECTRIC		1	CP12	Hunts W99 B847 26174-125
11	T		Z31	5910-99-105-0815	CAPACITOR, FIXED, CERAMIC DIELECTRIC		2	C205,206	TCC-CC 125S 26324-008H
12	T		Z32	5935-99-914-5215	SOCKET, ELECTRICAL		1		Amphenol UG-909-U
13	T				R.F. FILTER ASSEMBLY				TM 5273/F 44414-006
14	T		Z4	5950-99-104-9365	INDUCTOR, RADIO FREQUENCY		2	L201,202	TR 23173/26 44247-001
15	T		Z31	5910-99-911-1273	CAPACITOR, FIXED, CERAMIC		4	C201-204	TCC-CTH 315/LT 26373-681
16	T		Z1	5325-99-945-7702	GROMMET, PLASTICS		4		Hellermann HV3219 23187-105
17	T		Z4	6625-99-104-9978	CAPACITOR, VARIABLE AND CONTACT ASSEMBLY		1	C207	TM 5637 44436-018
18	T		Z4	6625-99-104-9366	SPRING, HELICAL, EXTENSION		2		TC 20321/3L 31118-111
19	T		Z4	6625-99-104-9790	SPRING, FLAT		1		TB 29926
20	T		Z1	6625-99-103-1850	COUPLING, SHAFT, FLEXIBLE		1		22713-216Y Carr Faet. 77/989
21	T		Z30	5905-99-105-1575	RESISTOR, VARIABLE		1	RV201	Colvern CLR4239/22
22	*		Z30	5905-99-022-2132	RESISTOR, FIXED, COMPOSITION		1	R210	DEF5112A style RC7H

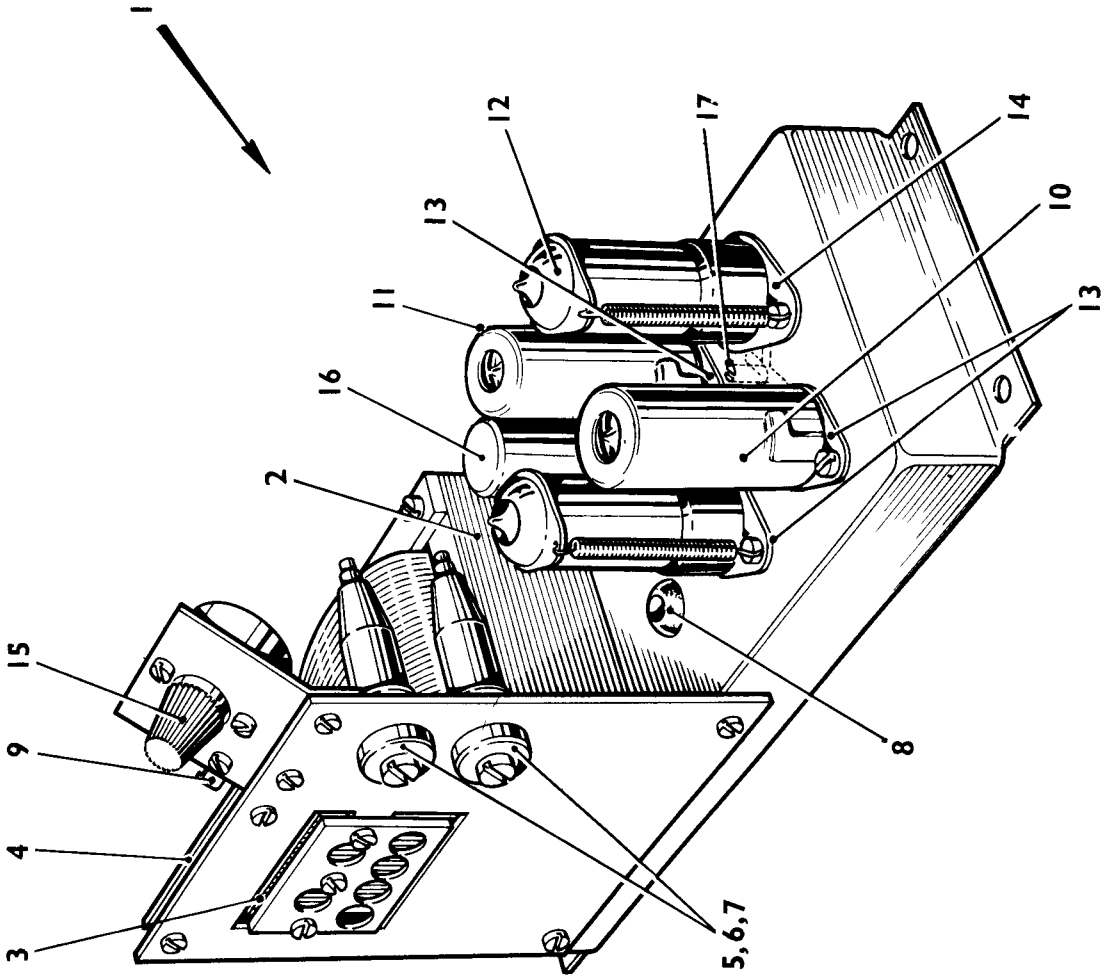
* Items not illustrated

RESTRICTED

ITEM No.	TEMPLATE REF.	MANAGEMENT CODE			N.A.T.O. STOCK No. OR CATALOGUE No.	ITEM NAME OR DESIGNATION	ITEM DESCRIPTION	No. OFF	SCHEMATIC REF	DRAWING No. AND/OR REMARKS
		NAVY	ARMY	AIR FORCE						
1	U				TURRET DISC ASSEMBLY		1	fig. 3	TW 5635 (TC 27466) 44447-014	
2	U		Z4	5950-99-104-9374	TRANSFORMER, RADIO FREQUENCY	unscreened; 20-40 Mc/s; 2- $\frac{1}{2}$ in. h by 2 in. dia.	1	L205	TD 16836/96 44232-007	
3	U		Z4	5950-99-104-9373	TRANSFORMER, RADIO FREQUENCY	unscreened; 40-80 Mc/s; 2- $\frac{1}{2}$ in. h. by 2 in. dia.	1	L206	TD 16836/97 44224-004	
4	U		Z4	6625-99-104-9375	CONTACT, ELECTRICAL	Cu-Ag alloy; 0.968 in. o/a lg. by 0.188 in. w by 0.062 in. thk.	24		TB 27424 31552-701	
5	U		Y3	6145-00-542-6092	CABLE, RADIO FREQUENCY		A/R	CA201,202	80058/RG58AU	
6	U		Z4	5950-99-104-9363	INDUCTOR, RADIO FREQUENCY	22 turns; unscreened; $\frac{1}{2}$ in. dia. 24 SWG; close wound	3	L209,212, 215	15650-390U TB 22722/35 35127-109	
7	U		Z30	5905-99-022-1106	RESISTOR, FIXED, COMPOSITION	insulated; 100 ohms, \pm 10%; 0.25W	1	R204	DEF 5112-A style RC7-K	
8	U		Z30	5905-99-022-1064	RESISTOR, FIXED, COMPOSITION	insulated; 47 ohms, \pm 10%; 0.25W	4	R205-208	DEF 5112-A style RC7-K 24573-041W	
9	U		Z30	5905-99-022-1001	RESISTOR, FIXED, COMPOSITION	insulated; 10 ohms; \pm 10%; 0.25W	1	R209	DEF 5112-A style RC7-K 24573-025E	
10	U		Z31	5910-99-104-9906	CAPACITOR, FIXED, CERAMIC DIELECTRIC	tub; insulated; 10pF \pm 0.25pF; 750V dc wkg.	1	C208	Erie P.100K 26321-084Z	
11	U		Z31	5910-99-012-6770	CAPACITOR, FIXED, CERAMIC DIELECTRIC	tub; insulated; 4.7pF, \pm 0.5 pF; 750V dc wkg.	1	C209	DEF 5133-1 style CGA1-D 26321-032Z	
12	U		Z31	5910-99-911-5994	CAPACITOR, FIXED, CERAMIC DIELECTRIC	tub; insulated; 22pF, \pm 10%; 750V dc wkg.	1	C210	Erie N750K 26322-808S	
13	U		Z31	5910-99-012-6772	CAPACITOR, FIXED, CERAMIC DIELECTRIC	tub; insulated; 6.8pF, \pm 0.5pF; 750V dc wkg.	1	C211	DEF 5133-1 style CGA1-D 26321-072T	
14	U		Z31	5910-99-105-0811	CAPACITOR, FIXED, CERAMIC DIELECTRIC	tub; insulated; 6.8pF, \pm 10%; 750V dc wkg.	1	C213	Erie N750K 26322-769V	



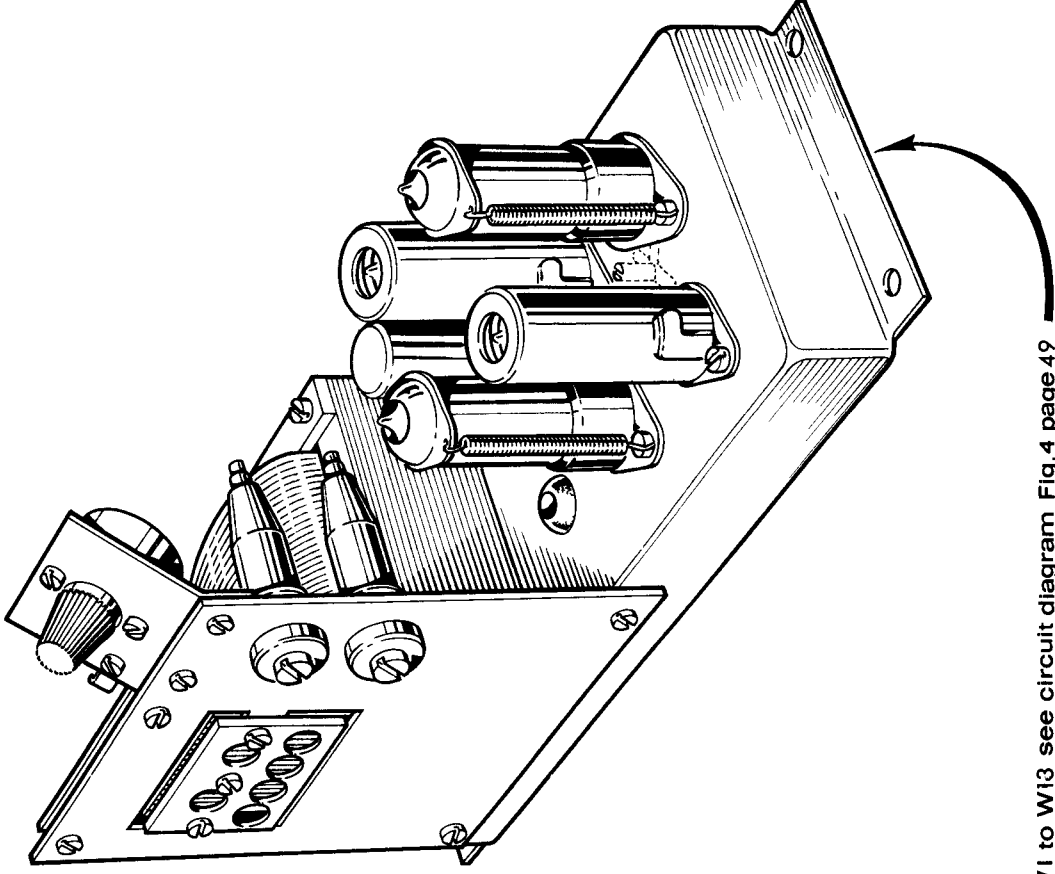
TURRET DISC ASSEMBLY



POWER UNIT

ITEM PLATE No.	MANAGEMENT CODE			N.A.T.O. STOCK No. OR CATALOGUE No.	ITEM NAME OR DESIGNATION	ITEM DESCRIPTION	No. OFF	SCHEMATIC REF	DRAWING No AND/OR REMARKS
	NAVY	ARMY	AIR FORCE						
1	V				POWER UNIT		1	fig. 4	TM 5631 46741-027S TM 5149/20
2	V	Z4		5950-99-104-9362	TRANSFORMER, POWER, STEP-DOWN AND STEP-UP	200V, 50 cycles, single phase input; multi- secondaries	1	T1	
3	V	Z37		5940-99-13-1540	TERMINAL BOARD	SRBP: 3-3/8 in. lg, 3/8 in. w, 1/16 in. thk; 7 lug-type terminals	1		23243-253
4	V	Z37		5940-99-105-1491	TERMINAL BOARD	SRBP: 3-3/8 in. lg, 3/8 in. w, 1/16 in. thk; 7 lugs	1		23243-253
5	V				FUSE HOLDER		2		23416-201A
6	V	Z32		5920-99-119-5641	FUSE LINK, CARTRIDGE	glass body; 2A, 250V ac/dc; 1/4 in. dia. by 1-1/4 in. lg	1	F1	23411-260D
7	V	Z32		5920-99-940-2035	FUSE LINK, CARTRIDGE	glass; 150mA; 1000V ac; 1/4 in. by 1 1/2 in.	1	F2	23411-254J
8	V	Z		5325-99-463-9952	GROMMET	type 31	1		23417-232M
9	V	Z1		5340-99-932-5187	CLAMP, LOOP	nylon; 1/4 in. dia. loop, 1/4 in. w, 9/64 in. dia. fixing hole	1		23243-624
10	V	Z42		5360-99-056-0145	SHIELD, ELECTRONIC VALVE	cylindrical; B7G	1		23237-576J
11	V	Z42		5960-99-119-7712	SHIELD, ELECTRONIC VALVE	straight cylinder-shaped w/flared end; B7G	1		23237-575K
12	V	Z42		5960-99-097-0291	RETAINER, ELECTRONIC VALVE	metal cap type; B7G	1		23237-604H
13	V	Z32		5935-99-613-4072	SOCKET, ELECTRONIC VALVE	7 pin; B7G; phosphor-bronze contacts; tin- plated	1		23237-675N
14	V	Z32		5935-99-613-4071	SOCKET, ELECTRONIC VALVE	9 pin; B9A; phosphor-bronze contacts; tin- plated	1		23237-6722
15	V	Z35		5905-99-105-1558	RESISTOR, VARIABLE	wire wound; 30K ohms, ± 10%; 3W; linear	1	RV1	23224-629
16	V				CAPACITOR, FIXED, ELECTROLYTIC	10µF, - 20 + 50%; 500V dc working	1	C1	23417-4783
17	V	Z42		5970-99-932-5525	INSULATOR, STANDOFF	ceramic; 17/32 in. lg, 0.15 in. dia; 6BA tapped base	2		23211-548V

ITEM No.	TEMPLATE REF	MANAGEMENT CODE			N.A.T.O. STOCK No. OR CATALOGUE No.	ITEM NAME OR DESIGNATION	ITEM DESCRIPTION	No. OFF	SCHEMATIC REF	DRAWING No AND/OR REMARKS
		NAVY	ARMY	AIR FORCE						
1	W		Z30		POWER UNIT (contd) RESISTOR, FIXED, FILM	insulated; 330K ohms, $\pm 2\%$; $\frac{1}{2}W$	1	fig. 4 R1	24573-133N	
2	W		Z30	5905-99-628-4353	RESISTOR, FIXED, FILM	insulated; 1M ohm, $\pm 2\%$; $\frac{1}{2}W$	1	R2	24573-145T	
3	W		Z30	5905-99-113-6657	RESISTOR, FIXED, FILM	insulated; 100 ohms, $\pm 2\%$; $\frac{1}{4}W$	1	R3	24773-249J	
4	W		Z30	5905-99-628-4617	RESISTOR, FIXED, FILM	insulated; 4.7K ohms, $\pm 2\%$; $\frac{1}{4}W$	1	R4	24773-289W	
5	W		Z30	5905-99-624-6790	RESISTOR, FIXED, FILM	insulated; 150K ohms, $\pm 2\%$; $\frac{1}{2}W$	1	R5	24773-325V	
6	W		Z30	5905-99-654-1521	RESISTOR, FIXED, FILM	insulated; 47K ohms, $\pm 2\%$; $\frac{1}{2}W$	1	R6	24573-113T	
7	W		Z30	5905-99-631-9808	RESISTOR, FIXED, FILM	insulated; 47K ohms, $\pm 2\%$; $\frac{1}{2}W$	1	R7	24773-313H	
8	W		Z30	5905-99-624-6781	RESISTOR, FIXED, FILM	insulated; 82K ohms, $\pm 2\%$; $\frac{1}{2}W$	1	R8	24773-319J	
9	W		Z30	5905-99-648-1363	RESISTOR, FIXED, FILM	insulated; 10 ohms, $\pm 2\%$; $\frac{1}{2}W$	1	R9	24573-025E	
10	W		Z30	5905-99-628-7211	RESISTOR, FIXED, FILM	tub. plastics case; 330pF, $\pm 10\%$; 500V dc working	1	C2	26364-158P	
11	W		Z31	5910-99-618-4021	CAPACITOR, FIXED, CERAMIC DIELECTRIC	plastics case; 0.01 μ F, $\pm 10\%$; 400V dc working	1	C3	26555-463S	
12	W		Z31	5910-99-618-4209	CAPACITOR, FIXED, METALLIZED, PAPER DIELECTRIC	plastics case; 0.1 μ F, $\pm 10\%$; 400V dc working	1	C4	26555-475B	
13	W		Z30	5905-99-646-5137	RESISTOR, FIXED, FILM	15 ohms, $\pm 2\%$; $\frac{1}{2}W$	1	R10	24573-029L	

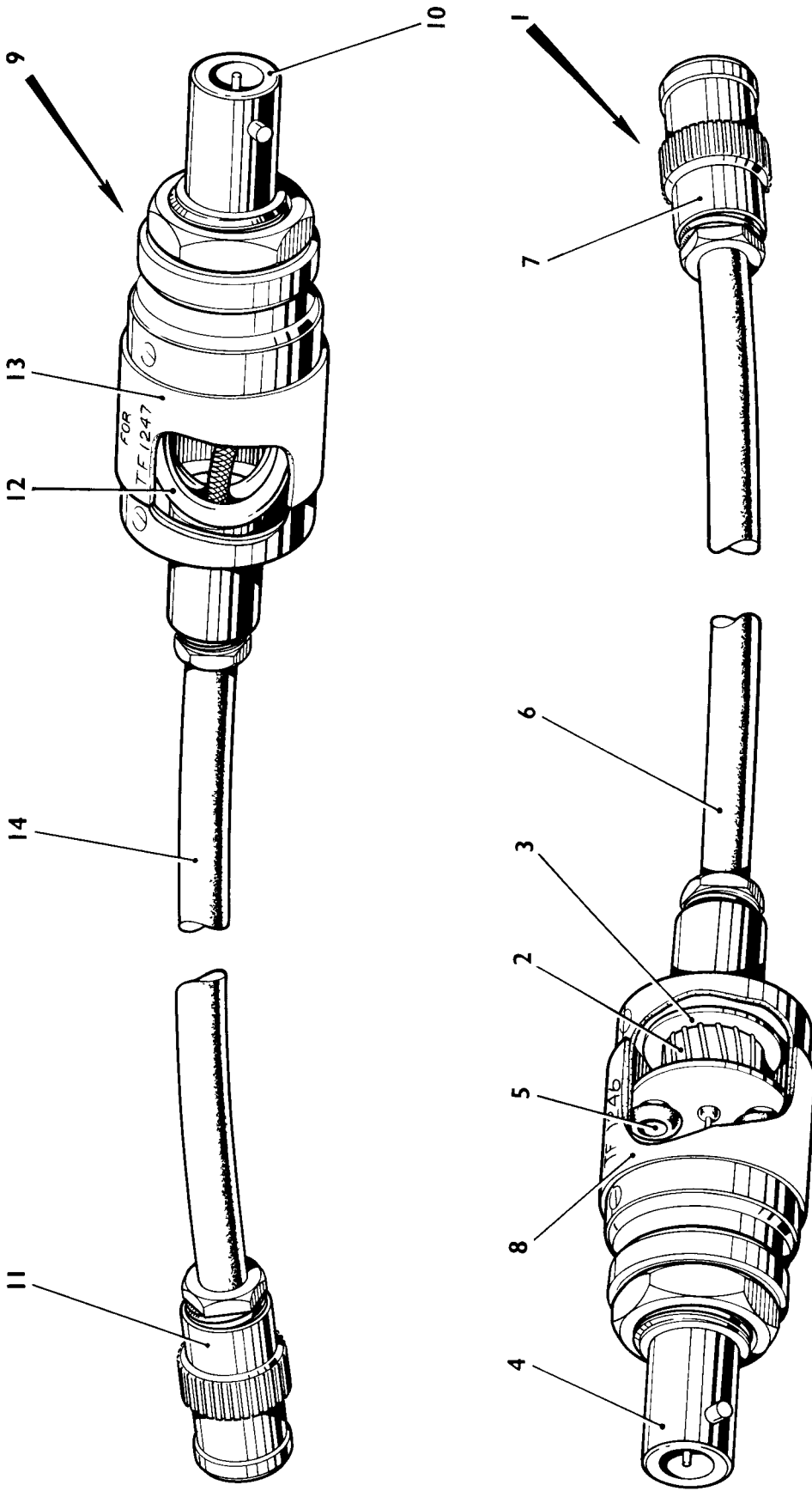


For items W1 to W13 see circuit diagram Fig.4 page 49

POWER UNIT

RESTRICTED

X

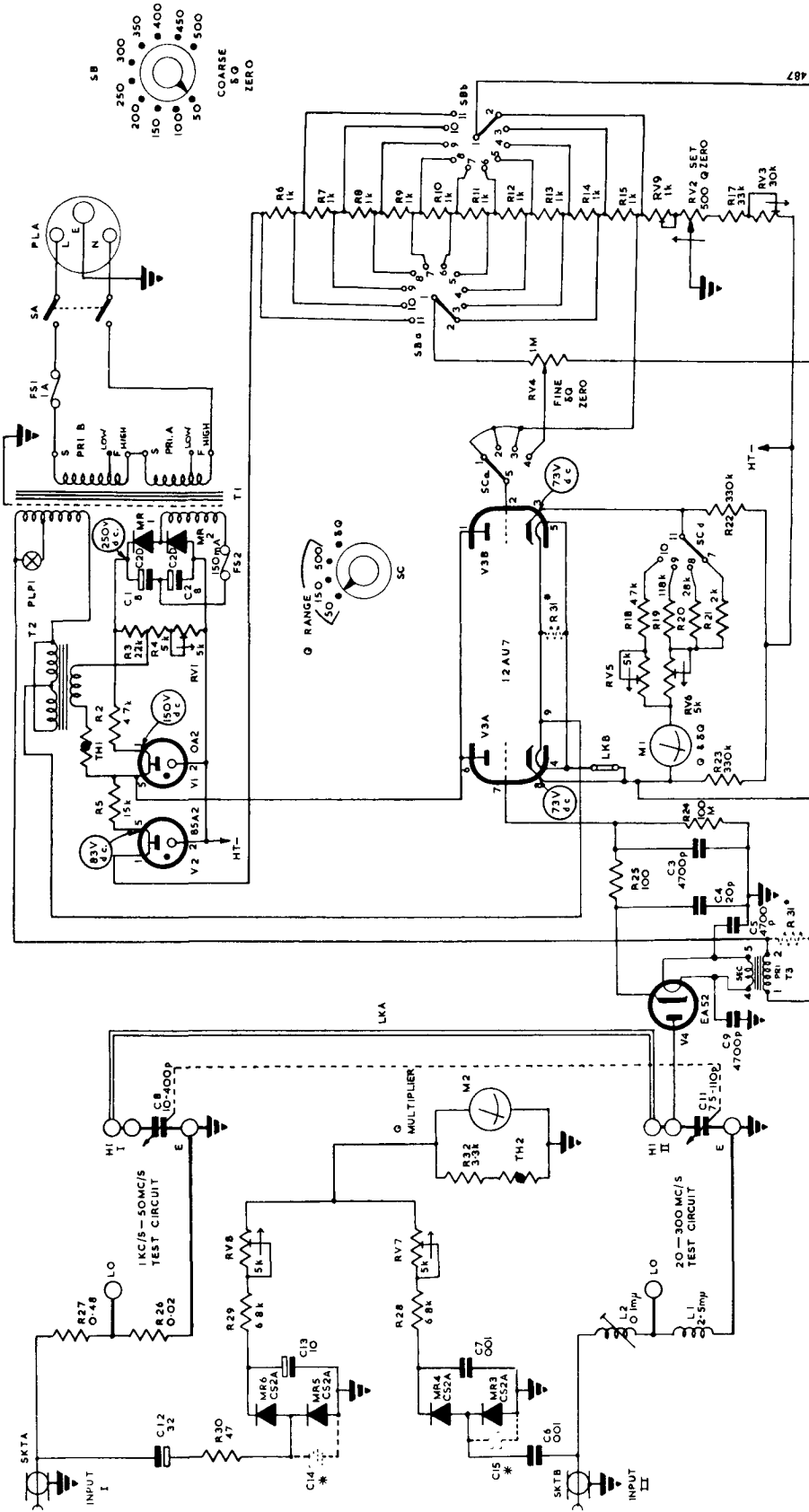


CABLE ASSEMBLY, RADIO FREQUENCY

RESTRICTED

ES 4116

ITEM No.	TEMPLATE REF.	MANAGEMENT CODE			N.A.T.O. STOCK No. OR CATALOGUE No.	ITEM NAME OR DESIGNATION	ITEM DESCRIPTION	No. OFF	SCHEMATIC REF	DRAWING No AND/OR REMARKS
		NAVY	ARMY	AIR FORCE						
1	X		Z4		6625-99-104-9891	CABLE ASSEMBLY, RADIO FREQUENCY	1		TC 28077 44411-002 (TM 5726)	
2	X		Z4		5925-99-104-9892	TRANSFORMER, RADIO FREQUENCY	1		TB 28694	
3	X		Z4		5330-99-104-9893	WASHER, NONMETALLIC	1		TB 25002/117 27433-504	
4	X		Z4		5935-99-105-1496	SOCKET, ELECTRICAL	1		TB 29931/1 43164-017	
5	X		Z1		5325-99-999-9409	GROMMET, PLASTICS	?		Hellermann HV 232C	
6	X		Y3		6145-99-910-0280	CABLE, RADIO FREQUENCY	A/R		DEF 14	
7	X		Z32		5335-99-940-1089	PLUG, ELECTRICAL	1		CM/1/5 23443-503	
8	X		Z4		6625-99-104-9894	SLEEVE, IDENTIFICATION	1		TF 25703 31715-105	
9	X					CABLE ASSEMBLY, RADIO FREQUENCY	1		TC 28077 (TM 5727) 44411-002	
10	X		Z4		5925-99-105-1496	SOCKET, ELECTRIC	1		TB 29931/1 43164-017	
11	X		Z32		5935-99-940-1089	PLUG, ELECTRICAL	1		BN/1/5 23443-503	
12	X		Y3		6145-99-910-0280	CABLE, RADIO FREQUENCY	A/R		TCM K16M DEF-14-A	
13	X		Z4		5340-99-105-1495	SLEEVE, IDENTIFICATION	1		TB 28705/1 31715-112	



NOTES

These components are selected during test as follows:

1. If necessary capacitor C14 is incorporated to level the response of the 1 kc/s-50 Mc/s test circuit at 50 Mc/s.
2. If necessary capacitor C15 is incorporated to increase the accuracy of readings at 200 Mc/s.

3. If necessary resistor R31 is incorporated across the primary of transformer T3, or in parallel with the heaters of valve V3, to adjust the heater voltage of V3 as required.

Resistors R19 and R20 may, if necessary for the calibration of meter M1, have resistors added in parallel with them.

FIG. 1 PANEL, TEST, ELECTRICAL TF 1245

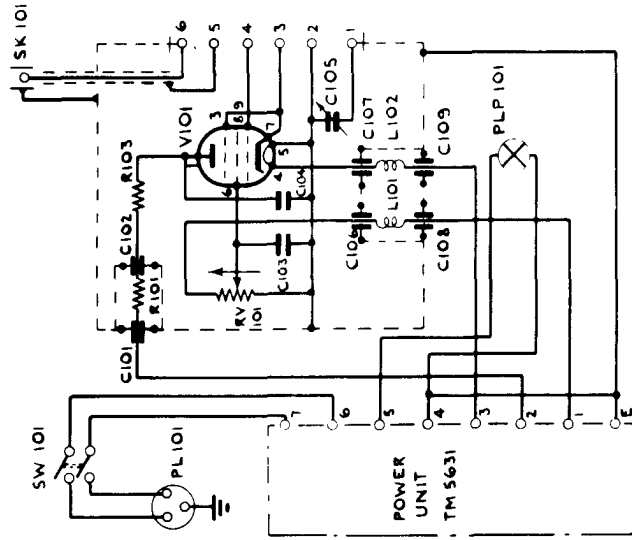
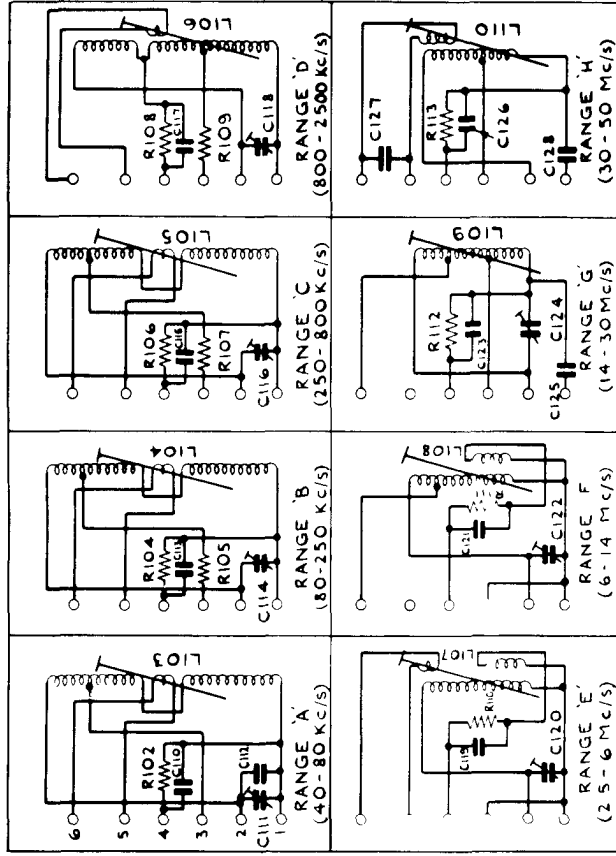


FIG. 2
TEST OSCILLATOR TF 1246

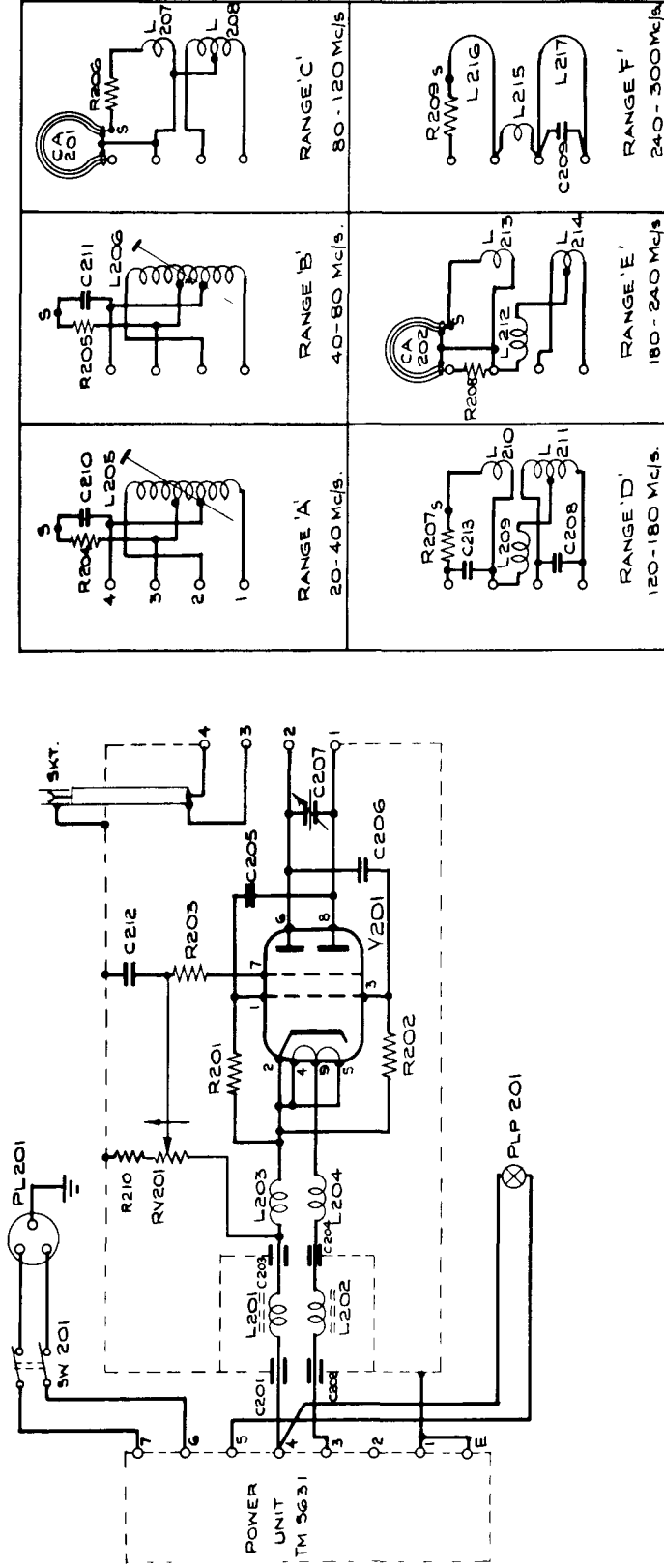


FIG. 3
TEST OSCILLATOR TF 1247

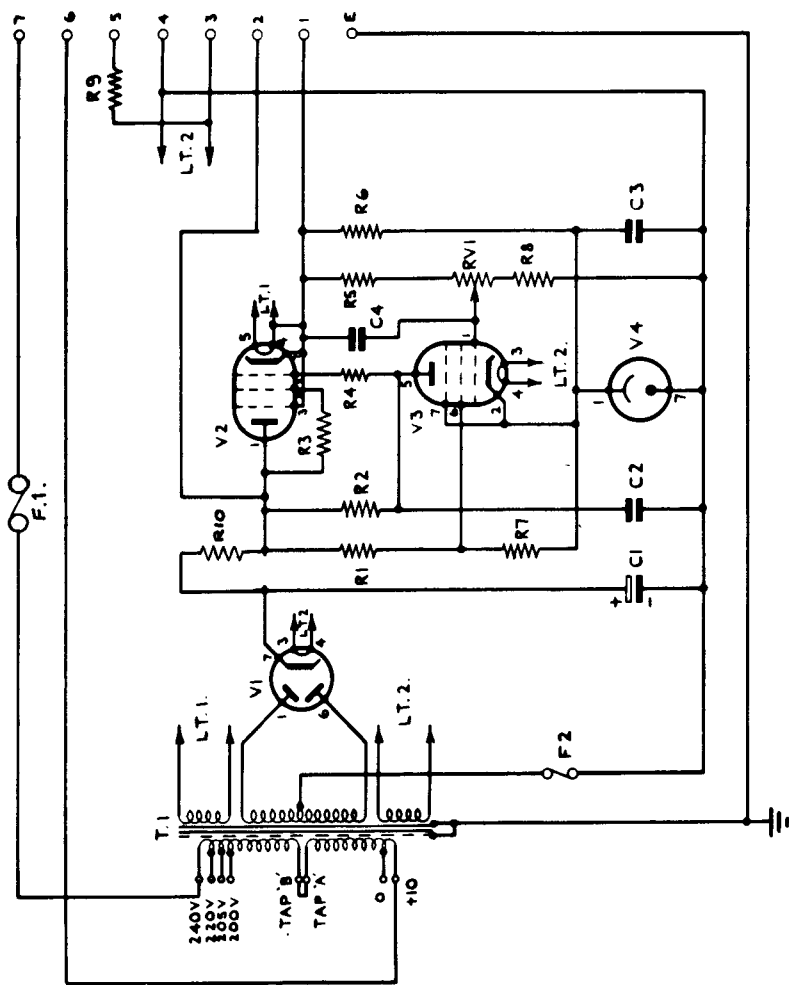


FIG. 4
POWER UNIT

INDEX TO CATALOGUE NUMBERS

CATALOGUE NUMBER	PAGE No.	CATALOGUE NUMBER	PAGE No.	CATALOGUE NUMBER	PAGE No.
<u>231</u>		<u>242</u>			
5910-99-012-3663	30	5960-99-000-0449	22, 34		
5910-99-012-3678	30	5960-99-000-0850	22, 34		
5910-99-012-6770	38	5960-99-000-1832	6		
5910-99-012-6772	38	5960-99-000-2129	22, 34		
5910-99-012-7113	30	5960-99-000-2466	34		
5910-99-104-9834	14	5960-99-000-4003	6		
5910-99-104-9850	14	5960-99-000-4005	22, 34		
5910-99-104-9906	38	5960-99-000-5140	13		
5910-99-104-9919	25	5960-99-037-3228	14		
5910-99-105-0811	38	5960-99-056-0145	41		
5910-99-105-0815	37	5960-99-097-0291	26, 37, 41		
5910-99-107-3020	14				
5910-99-618-4021	42	5960-99-104-9355	13		
5910-99-618-4209	42	5960-99-118-3805	6		
5910-99-624-6746	14	5960-99-119-7712	6, 41		
5910-99-624-6779	13	5960-99-119-7713	6		
5910-99-625-2798	14	5960-99-119-7714	6		
5910-99-911-1273	25, 37	5340-99-932-5187	22		
5910-99-911-5394	14, 30, 38	5960-99-932-5525	41		
5910-99-933-0195	17				
5910-99-940-8455	37				
5910-99-940-8456	26				
5910-99-940-9688	30				
5910-99-940-9691	14				
5910-99-942-4939	14				
5910-99-947-3305	30				
5910-99-948-2331					
<u>232</u>					
5935-99-056-0127	18				
5920-99-059-0100	17				
5935-99-104-7926	18, 37				
5920-99-119-5641	41				
5935-99-618-4071	41				
5935-99-618-4072	41				
5935-99-900-4008	22, 34				
5935-99-914-5215	37				
5935-99-940-1089	2, 45				
5920-99-940-2035	41				
5930-99-943-9141	5, 21, 25, 35				
<u>237</u>					
5960-99-103-4543	14				
5940-99-105-1491	41				
5940-99-913-1530	41				

NOTE: The appearance of a star against a page number indicates that the catalogue numbers appear more than twice in the list and are to be found on and between the page numbers quoted.

RESTRICTED