

THE INTER-SERVICE CATALOGUE OF ELECTRONIC COMPONENTS

Amendment Serial No.3

Comprising the following Amendment List:-

CAPACITORS, FIXED

RCC 1

ISSUE 1

MAY 1947

Amendment List No.2 (RCC 1) July 1949

INDEX of INTER-SERVICE REFERENCE NUMBERS

Remove - pages S/05 to S/10 inclusive.
Delete - all detail on page S/11.
Insert - attached new pages S/05 to S/11.

INDEX of ADMIRALTY REFERENCE NUMBERS

Pages N/01 to N/06.
Delete - all details printed under columns
headed PAGE and LINE which refer to Inter-
Service Reference Numbers commencing Z.12....
under column headed USE.

INDEX of ARMY REFERENCE NUMBERS

Remove - pages w/01 to w/08 inclusive.
Insert - attached new pages w/01 to w/02.

/INDEX

INDEX of ROYAL AIR FORCE NUMBERS

Pages A/01 to A/08.

Delete - all details printed under columns headed PAGE and LINE which refer to Inter-Service Reference Numbers commencing 4.12.... under column headed USE.

GROUP 12, SECTION A

Remove - pages 12A/01 to 12A/14 inclusive.
Insert - attached new pages 12A/01 to 12A/12.

GROUP 12, SECTION B

Remove - pages 12B/01 to 12B/08 and 12B/21 to 12B/32 inclusive.
Insert - attached new pages 12B/01 to 12B/10 and 12B/21 to 12B/32.

RADIO COMPONENTS STANDARDISATION COMMITTEE

Thames House, Millbank, S.W.1.

Telephone: Franklin 2211

RCC/I

CAPACITORS, FIXED

CROSS-REFERENCE INDEX OF INTER-SERVICE CATALOGUE NUMBERS

INTER-SERVICE CAT. No.	ADY. PATT. No.	W.O. CAT. No.	A.M. REF. No.	PAGE	LINE	INTER-SERVICE CAT. No.	ADY. PATT. No.	W.O. CAT. No.	A.M. REF. No.	PAGE	LINE	INTER-SERVICE CAT. No.	ADY. PATT. No.	W.O. CAT. No.	A.M. REF. No.	PAGE	LINE
Z.123459	51222	ZA.28902		12A/06	26	Z.123590			10c.16849	12B/04	38	Z.123855		ZA.32628		12B/03	36
Z.123460	51159	X	10c.16385	12A/06	25	Z.123591			10c.16993	12B/05	07	Z.123860			10c.2415	12B/03	28
Z.123461	51185	X	10c.16395	12A/06	27	Z.123592		X	10c.16838	12B/05	10						
Z.123465	51196	X	10c.4702	12A/06	29	Z.123593		X	10c.16850	12B/05	12						
Z.123466	51131	ZC.23291	10c.12316	12A/06	30	Z.123595			10c.16991	12B/05	25						
Z.123468	51158	X	10c.12339	12A/06	31	Z.123622			10c.16848	12B/04	24						
Z.123469	51221	X	12A/06	12A/06	32	Z.123628			10c.17502	12A/05	01						
Z.123471	51184	X	10c.13113	12A/06	33	Z.123629		X		12B/05	09						
Z.123474	51085	X	10c.16330	12B/05	17	Z.123630		X		12B/04	35						
Z.123475	51084	X	10c.16273	12B/05	18	Z.123631		X		12B/05	29						
Z.123477	51083	X	10c.15960	12B/05	19	Z.123711		ZA.22264		12A/05	02						
Z.123485	51368			12A/06	35	Z.123714		ZA.32540		12A/05	03						
Z.123487	W.4817			12A/06	36	Z.123718		ZA.21519		12A/05	04						
Z.123491	51088	X	10c.16331	12B/05	20	Z.123719		ZC.2678		12A/05	05						
Z.123492	51087	X	10c.16230	12B/05	21	Z.123722		ZC.11444		12A/05	08						
Z.123493	51086	X	10c.15192	12B/05	22	Z.123732	51374			12A/05	11						
Z.123496	W.4857			12B/05	23	Z.123763		ZA.1631		12A/05	12						
Z.123502		X		12B/05	24	Z.123764		ZA.27331		12A/06	13						
Z.123513	51091	X	10c.16333	12B/05	26	Z.123769	W.4958			12A/05	15						
Z.123514	51090	X	10c.16303	12B/05	27	Z.123770		ZA.21093		12A/06	20						
Z.123515	51089	X	10c.16332	12B/05	28												
Z.123519	X			12A/06	38	Z.123775		ZC.3268		12A/06	21						
Z.123522		X		12B/04	40	Z.123778		ZA.25439		12A/06	28						
Z.123523		X		12B/04	27	Z.123781	W.5580	ZC.12062		12A/05	34						
Z.123538		ZA.29331	10c.17597	12B/04	05	Z.123785		YA.00356		12A/06	37						
Z.123563			10c.16655	12B/03	16	Z.123787		ZC.15747		12A/06	40						
Z.123564		X	10c.16683	12B/03	23	Z.123788		ZA.21758		12A/06	39						
Z.123565			10c.16555	12B/04	08	Z.123806		ZA.25415		12B/03	20						
Z.123571			10c.16843	12B/03	01	Z.123810		ZA.26421		12B/03	29						
Z.123572			10c.16844	12B/03	02	Z.123813		ZA.26418		12B/03	33						
Z.123573			10c.16845	12B/03	05	Z.123831	W.2810			12B/04	20						
Z.123574			10c.17589	12B/03	08	Z.123834		ZA.25437		12B/04	26						
Z.123575			10c.16846	12B/03	10	Z.123837		ZA.25435		12B/04	31						
Z.123576			10c.17600	12B/03	12	Z.123838	W.5213			12B/04	33						
Z.123578			10c.17588	12B/03	21	Z.123839		ZC.15822		12B/04	32						
Z.123580	X		10c.16851	12A/05	06	Z.123843		ZA.25434		12B/05	04						
Z.123581			10c.17599	12B/03	25	Z.123844	W.2812		10c.11560	12B/05	05						
Z.123582			10c.16847	12B/03	37	Z.123848		ZA.29548		12B/05	14						
Z.123583			10c.17598	12B/03	39	Z.123849	W.5214			12B/05	15						
Z.123584			10c.17567	12B/04	01	Z.123850	W.2817			12B/05	16						

X

Indicates that the relevant I.S. No. has already been adopted.

CAPACITORS, FIXED

CROSS-REFERENCE INDEX OF INTER-SERVICE CATALOGUE NUMBERS

INTER-SERVICE CAT. No.	ADY. PATT. No.	W. O. CAT. No.	A. M. REF. No.	PAGE	LINE	INTER-SERVICE CAT. No.	ADY. PATT. No.	W. O. CAT. No.	A. M. REF. No.	PAGE	LINE	INTER-SERVICE CAT. No.	ADY. PATT. No.	W. O. CAT. No.	A. M. REF. No.	PAGE	LINE
Z.124.001			10c.16992	12B/06	01	Z.124.153	51192	X	10c.16398	12A/10	04	Z.124.290	51112	X	10c.16346	12B/07	01
Z.124.003	51092	ZA. 1377	10c.15334	12C/06	03	Z.124.174		X		12A/10	09	Z.124.291	51111	X	10c.15220	12B/07	02
Z.124.004		ZA. 3544.1		12B/06	02	Z.124.175	51138	X	10c.14678	12A/10	10	Z.124.292	51110	X	10c.15999	12B/07	03
Z.124.008	W. 3802			12B/06	05	Z.124.176	51202	ZA. 264.14	10c.14659	12A/10	11	Z.124.294	W. 3804			12B/07	04
Z.124.017	W. 4256			12A/09	01			ZA. 29860				Z.124.296		X		12B/07	05
Z.124.020	51136	X	10c. 4250	12A/09	05	Z.124.180	51165	X	10c.16386	12A/10	12	Z.124.298	W. 3186			12A/10	37
Z.124.028	W. 5405	ZC. 1668	10c.15846	12A/09	07	Z.124.181	51226	ZA. 26550		12A/10	13	Z.124.300	51145	X	10c.12001	12A/10	39
		ZC. 0590				Z.124.183	51191	X	10c.15927	12A/10	14	Z.124.301	51209	ZA. 1515	10c.16142	12A/10	40
Z.124.031	51163	ZA. 294.79	10c. 4245	12A/09	06	Z.124.184	51137	X	10c.12319	12A/10	15			ZC. 27006			
Z.124.034	51189	X	10c.16231	12A/09	08	Z.124.185	51201	ZA. 29306		12A/10	16						
Z.124.038	W. 2319			12A/09	15	Z.124.186	51164	X	10c.12341	12A/10	17	Z.124.303		ZA. 15874		12A/10	38
Z.124.061	51135	X	10c.14250	12A/09	17	Z.124.187	51225	X		12A/10	18			ZC. 18918			
Z.124.062	51199	ZA. 29859	10c.14671	12A/09	16	Z.124.188	51190	X	10c.16236	12A/10	19	Z.124.306	51172	X	10c.12342	12A/11	02
Z.124.064	51162	X	10c.16086	12A/09	18	Z.124.191	51103	ZA. 17281	10c.16339	12B/06	26	Z.124.307	W. 624.9			12A/11	01
Z.124.065	51224	ZA. 28277		12A/09	19	Z.124.192	51102	ZC. 23390	10c.15152	12B/06	27	Z.124.321	51144	X	10c. 4256	12A/11	05
Z.124.067	51188	X	10c.16397	12A/09	20	Z.124.193	51101	X	10c.14417	12B/06	28	Z.124.322	51208	X	10c.14913	12A/11	06
Z.124.074	51134	X	10c.11396	12A/09	24	Z.124.213	51106	ZA. 11669	10c.16340	12B/06	29	Z.124.325	51171	X	10c.15867	12A/11	07
Z.124.075	51161	X	10c.12340	12A/09	25	Z.124.214	51105	X	10c.15164	12B/06	30	Z.124.327	51143	X	10c.12323	12A/11	08
Z.124.076	51223	X	10c.17815	12A/09	26	Z.124.215	51104	X	10c.16224	12B/06	31	Z.124.328	51207	ZA. 29307		12A/11	09
Z.124.077	51187	X	10c.16072	12A/09	27	Z.124.222				12A/10	21	Z.124.329	51170	X	10c.11554	12A/11	10
Z.124.088	51095	X	10c.16335	12B/06	12	Z.124.223	51206	ZA. 144.9		12A/10	23	Z.124.333	51115	X	10c.16349	12B/07	06
Z.124.089	51094	X	10c.15163	12B/06	13	Z.124.224	51142	ZA. 24159	10c. 3502	12A/10	22	Z.124.334	51114	X	10c.16348	12B/07	07
Z.124.091	51093	X	10c.15193	12B/06	14	Z.124.226	51169	X	10c.16389	12A/10	24	Z.124.335	51113	X	10c.16347	12B/07	08
Z.124.092	W. 624.8			12A/09	30	Z.124.227	51229	X	10c.1584.8	12A/10	25	Z.124.338	W. 6339			12B/07	09
Z.124.100	W. 64.29			12A/09	31	Z.124.233			10c. 5293	12A/10	26	Z.124.352	51118	X	10c.16352	12B/07	11
Z.124.104		X		12B/06	16	Z.124.239	51205	ZA. 28116		12A/10	29	Z.124.353	51117	X	10c.16351	12B/07	12
Z.124.106	51097	ZA. 1379	10c.16336	12B/06	17			ZA. 24159				Z.124.354	51116	X	10c.16350	12B/07	13
Z.124.108	W. 564.5			12A/09	33	Z.124.240	51141	X	10c.16032	12A/10	28	Z.124.357	W. 3174			12A/11	13
Z.124.110	51096	X	10c.16211	12B/06	19	Z.124.242	51228	X		12A/10	31	Z.124.366	51121	X	10c.16355	12B/07	14
Z.124.111	51371			12A/09	34	Z.124.243	51168	ZC. 27983	10c.16388	12A/10	30	Z.124.367	51120	X	10c.16354	12B/07	15
Z.124.120	51100	X	10c.16338	12B/06	20	Z.124.245	51204	ZA. 284.51		12A/10	34	Z.124.368	51119	X	10c.16353	12B/07	16
Z.124.124	51099	ZC. 23391	10c.16031	12B/06	21	Z.124.246	51140	X	10c.12322	12A/10	33	Z.124.371	51123	ZA. 1361	10c.16105	12B/07	17
Z.124.125	51098	ZA. 1553	10c.16337	12B/06	22	Z.124.247	51227	X		12A/10	36	Z.124.375	51122	ZC. 21678	10c.16356	12B/07	18
Z.124.136	W. 3803			12B/06	23	Z.124.248	51167	X	10c.16387	12A/10	35	Z.124.378	51148	X	10c. 4247	12A/11	16
Z.124.138		ZA. 12990		12B/06	24	Z.124.253	51109	X	10c.16342	12B/06	34						
Z.124.140	W. 1704.A			12A/09	36	Z.124.254	51108	X	10c.16341	12B/06	35	Z.124.379	51212	ZA. 26138	10c.14707	12A/11	17
Z.124.143	51139	ZA. 28589	10c.12317	12A/09	40	Z.124.255	51107	X	10c.16233	12B/06	36			ZC. 2168			
Z.124.147	51203	ZA. 28183	10c.16143	12A/10	01	Z.124.264	51388	X	10c.16345	12B/06	38	Z.124.380	W. 4185	ZA. 15785	10c.14466	12B/C7	19
Z.124.148				12A/09	37	Z.124.265	51387	X	10c.16344	12B/06	39	Z.124.382	50560	ZA. 20308	10c. 4246	12A/11	18
Z.124.150	51166	X	10c. 4244	12A/10	02	Z.124.266	51049	X	10c.16343	12B/06	40			ZC. 8441			

X Indicates that the relevant I.S. No. has already been adopted.

RCC/I

CAPACITORS, FIXED

CROSS-REFERENCE INDEX OF INTER-SERVICE CATALOGUE NUMBERS

INTER-SERVICE CAT. No.	ADY. PATT. No.	W.O. CAT. No.	A.M. REF. No.	PAGE	LINE	INTER-SERVICE CAT. No.	ADY. PATT. No.	W.O. CAT. No.	A.M. REF. No.	PAGE	LINE	INTER-SERVICE CAT. No.	ADY. PATT. No.	W.O. CAT. No.	A.M. REF. No.	PAGE	LINE
Z.124405	51211	ZA.25338	10c.14582	12A/11	24	Z.124535		ZA.20318		12A/10	08						
Z.124406				12A/11	14	Z.124547		ZI.25469		12A/10	32						
Z.124407	51147	X	10c.15098	12A/11	23	Z.124561		ZA.12210		12A/11	03						
Z.124409	51174	X	10c.15255	12A/11	25	Z.124568		ZC.15572		12A/11	12						
Z.124412	51146	X	10c.12407	12A/11	26	Z.124581		ZI.17052		12A/11	20						
Z.124413	51210	ZA.29305	10c.14912	12A/11	27	Z.124582		ZA.32910		12A/11	21						
Z.124415	51173	X	10c.12343	12A/11	28	Z.124589		ZA.21092		12A/11	30						
Z.124425	W. 5717			12A/11	29	Z.124591		ZA.32170		12A/11	32						
Z.124435		X		12A/11	31	Z.124592			10c. 14	12A/09	09						
Z.124445	W. 6243	X	10c.15227	12B/06	06	Z.124593			10c. 5569	12A/09	10						
Z.124446	52456	ZA.12989	10c.15097	12B/06	09	Z.124594			10c.10512	12A/09	11						
Z.124447	52222	X	10c.16106	12B/06	18	Z.124595			10c. 4502	12A/09	29						
Z.124449	51200	ZA.28184	10c. 3396	12A/09	04	Z.124596			10c. 3419	12A/11	15						
		ZC. 3069				Z.124597			10c. 244	12A/11	19						
Z.124450		X		12B/06	10	Z.124598				12A/09	03						
Z.124451		X		12B/06	37	Z.124600	W. 2803			12B/06	04						
Z.124452	51198	ZA.29308	10c.14911	12A/09	23	Z.124601	W. 4184	ZA. 0862		12B/06	08						
Z.124453	52495	X	10c.15847	12A/10	03	Z.124616		ZA.13212		12B/06	32						
Z.124455	52488	X	10c.16653	12A/09	14	Z.124627			10c. 5766	12B/06	07						
Z.124463	52485	X	10c.16654	12A/10	07	Z.124628			10c.11073	12B/06	25						
Z.124477	X		10c.16855	12A/10	27												
Z.124479	X	ZC.28611	10c.16854	12A/09	13												
Z.124480		X	10c.16856	12A/11	04												
Z.124482	W. 1430A			12A/10	20												
Z.124484		X	10c.16857	12A/11	22												
Z.124485			10c.16994	12B/06	15												
Z.124488	X	X		12A/09	02												
Z.124489		X		12A/09	22												
Z.124497		X		12B/06	11												
Z.124498		X		12B/06	33												
Z.124499		X		12B/07	10												
Z.124510		ZA.10828		12A/09	12												
Z.124515		ZA.23853		12A/09	21												
Z.124516		ZA.27817		12A/09	28												
Z.124518		ZA.27371		12A/09	32												
Z.124523		ZA.17735		12A/09	35												
Z.124524		ZA.33647		12A/09	39												
Z.124525	51239	ZC. 1669		12A/09	38												
Z.124528		ZA.19915		12A/10	05												
Z.124529	W. 2367	ZA.33111	10c. 8010	12A/10	06												

X

Indicates that the relevant I.S. No. has already been adopted.

CAPACITORS, FIXED

CROSS-REFERENCE INDEX OF INTER-SERVICE CATALOGUE NUMBERS

INTER-SERVICE CAT. No.	ADY. PATT. No.	W O CAT. No.	A. M. REF. No.	PAGE	LINE	INTER-SERVICE CAT. No.	ADY. PATT. No.	W. O. CAT. No.	A. M. REF. No.	PAGE	LINE	INTER-SERVICE CAT. No.	ADY. PATT. No.	W. O. CAT. No.	A. M. REF. No.	PAGE	LINE
Z. 125008			X	12B/23	01	Z. 125173	50883	X	10c. 15041	12B/24	22	Z. 125331	50934	X	10c. 14610	12B/25	36
Z. 125010	50075			12B/23	05	Z. 125174	50882	X	10c. 15378	12B/24	23	Z. 125332	50898	X	10c. 15042	12B/25	37
Z. 125021	50850	Z. 27129 Z. 26789	10c. 16361	12B/23	09	Z. 125190	50887	X	10c. 14915	12B/24	28	Z. 125333	50933	Z. A. 26606		12B/25	38
Z. 125025	53002			12B/23	10	Z. 125191	50886	X	10c. 14752	12B/24	30	Z. 125334	50897	X	10c. 16234	12B/25	39
Z. 125035	50862	X	10c. 16362	12B/23	11	Z. 125192	50885	Z. 27655	10c. 14583	12B/24	32	Z. 125360	50938	X		12B/26	05
Z. 125037	W. 7891			12B/23	13	Z. 125199	W. 6189			12B/24	34	Z. 125361	50902	X	10c. 16375	12B/26	06
Z. 125041	50865	Z. 16933 Z. 26521	10c. 16363	12B/23	15	Z. 125208	53005			12B/24	36	Z. 125362	50937	X		12B/26	09
Z. 125043	50076			12B/23	16	Z. 125214	50890	X	10c. 16164	12B/24	38	Z. 125363	50901	X	10c. 14829	12B/26	10
Z. 125047	50867	Z. A. 26534	10c. 16364	12B/23	17	Z. 125215	50889	X	10c. 16217	12B/24	39	Z. 125365	50936	Z. A. 24007		12B/26	13
Z. 125053	W. 5927			12B/23	18	Z. 125215	50888	X	10c. 15368	12B/24	40	Z. 125366	50900	X	10c. 14768	12B/26	14
Z. 125062	50797			12B/23	21	Z. 125227	W. 2860			12B/25	02	Z. 125377	52021			12B/26	17
Z. 125065	50871	X	10c. 16365	12B/23	23	Z. 125232	50891	Z. A. 27143	10c. 16369	12B/25	04	Z. 125389	50078			12B/26	20
Z. 125068	50870	X	10c. 14467	12B/23	25	Z. 125243	W. 5924	Z. A. 12526				Z. 125395	50941	X		12B/26	21
Z. 125078	W. 968			12B/23	27	Z. 125243	Z. 18446	Z. 18446	10c. 16205	12B/25	07	Z. 125396	50905	X	10c. 16379	12B/26	22
Z. 125086	53003			12B/23	28	Z. 125245	W. 6241	Z. A. 1678				Z. 125397	50940	X	10c. 17546	12B/26	23
Z. 125089	50919	X		12B/23	29	Z. 125255	50929	Z. A. 27142	10c. 14657	12B/25	09	Z. 125398	50904	X	10c. 16206	12B/26	24
Z. 125090	50874	X	10c. 16366	12B/23	30	Z. 125265	50929	Z. A. 26520				Z. 125399	50939	X		12B/26	25
Z. 125092	50918	X		12B/23	31	Z. 125269	50927	Z. A. 29176				Z. 125400	50903	X	10c. 15986	12B/26	26
Z. 125093	50873	X	10c. 15900	12B/23	32	Z. 125273	50927					Z. 125411	W. 6423			12B/26	28
Z. 125095	W. 1196			12B/23	33	Z. 125274	50892					Z. 125420	53009			12B/26	29
Z. 125109	50922	X		12B/23	36	Z. 125283	W. 6190	Z. A. 14435	10c. 16372	12B/25	14	Z. 125425	50944	X	10c. 17513	12B/26	32
Z. 125110	50877	X	10c. 15039	12B/23	37	Z. 125290	50527	X				Z. 125426	50908	X	10c. 15959	12B/26	33
Z. 125112	50921	Z. 27156	10c. 14925	12B/23	39	Z. 125295	50932	X	10c. 16371	12B/25	15	Z. 125427	50943	X		12B/26	36
Z. 125113	50876	Z. A. 24005	10c. 16367	12B/23	40	Z. 125296	50896	X				Z. 125428	50907	X	10c. 14914	12B/26	37
Z. 125123	50872	X		12B/24	01	Z. 125303	50931	X	10c. 16370	12B/25	18	Z. 125430	50942	X		12B/26	40
Z. 125124	50863	Z. 27334	10c. 15040	12B/24	02	Z. 125283	W. 6190					Z. 125431	50906	X	10c. 16376	12B/27	01
Z. 125125	50869	X		12B/24	03	Z. 125290	50527					Z. 125448	50881	X		12B/27	04
Z. 125126	50861	Z. 26602	10c. 15276	12B/24	04	Z. 125295	50932	Z. 1680	10c. 14615	12B/25	23	Z. 125449	50868	X	10c. 16377	12B/27	05
Z. 125128	W. 6187			12B/24	05	Z. 125296	50896	X	10c. 14498	12B/25	24	Z. 125450	50878	X		12B/27	06
Z. 125141	50925	X		12B/24	08	Z. 125303	50931	Z. 11546				Z. 125451	50866	X	10c. 14877	12B/27	07
Z. 125142	50880	Z. A. 28450	10c. 14609	12B/24	09	Z. 125304	50895	Z. 19972	10c. 16373	12B/25	26	Z. 125452	50875	X		12B/27	08
Z. 125145	50924	X		12B/24	11	Z. 125310	50930	Z. 11187				Z. 125453	50864	X	10c. 15903	12B/27	09
Z. 125146	50879	Z. A. 24006	10c. 14608	12B/24	12	Z. 125311	50894	Z. 27125	10c. 14656	12B/25	28	Z. 125474	50947	X	10c. 14868	12B/27	12
Z. 125148	52019			12B/24	13	Z. 125314	53007	Z. 11482				Z. 125475	50911	X	10c. 15050	12B/27	13
Z. 125150	W. 6188			12B/24	14	Z. 125321	W. 6865					Z. 125476	50946	X		12B/27	16
Z. 125156	50077			12B/24	16	Z. 125324	53008					Z. 125477	50910	X	10c. 14834	12B/27	17
Z. 125163	53004			12B/24	19	Z. 125325	50528					Z. 125479	50945	X		12B/27	20
Z. 125172	50884	X	10c. 16163	12B/24	21	Z. 125327	50935	X				Z. 125480	50909	X	10c. 14770	12B/27	21
				12B/24	21	Z. 125328	50899	Z. A. 14395	10c. 16374	12B/25	35	Z. 125487	W. 4206			12B/27	22
				12B/24	21					12B/25	35	Z. 125490	52022			12B/27	23

X

Indicates that the relevant I.S. No. has already been adopted.

RCC/I

CAPACITORS, FIXED

CROSS-REFERENCE INDEX OF INTER-SERVICE CATALOGUE NUMBERS

INTER-SERVICE CAT. No.	ADY. PATT. No.	W.O. CAT. No.	A.M. REF. No.	PAGE	LINE	INTER-SERVICE CAT. No.	ADY. PATT. No.	W.O. CAT. No.	A.M. REF. No.	PAGE	LINE	INTER-SERVICE CAT. No.	ADY. PATT. No.	W.O. CAT. No.	A.M. REF. No.	PAGE	LINE
Z.125507	W. 6193			12B/27	26	Z.125611				12B/24	07	Z.125667	X			12B/28	01
Z.125514	53010			12B/27	27	Z.125612				12B/24	10	Z.125685		X		12B/25	11
Z.125522	50950	X		12B/27	29	Z.125613				12B/24	27	Z.125686		X		12B/27	02
Z.125523	50956	X		12B/27	30	Z.125614				12B/24	29	Z.125687		X		12B/28	14
Z.125524	50914	X	10c.16165	12B/27	31	Z.125615				12B/24	31	Z.125688		X		12B/28	15
Z.125525	50949	X		12B/27	32	Z.125616				12B/25	03	Z.125704	W. 5923			12B/23	07
Z.125526	50955	X		12B/27	33	Z.125617				12B/25	06	Z.125717	W. 4610			12B/23	20
Z.125527	50913	X	10c.16380	12B/27	34	Z.125618				12B/25	08	Z.125729	W. 6239			12B/23	34
Z.125529	50948	X	10c.15826	12B/27	35	Z.125620				12B/26	08	Z.125743		ZC.18584		12B/24	15
Z.125530	50954	X		12B/27	36	Z.125621				12B/26	07	Z.125744	W. 6240			12B/24	18
Z.125531	50912	X	10c.16071	12B/27	37	Z.125622				12B/26	11	Z.125749	50529			12B/24	25
Z.125532	50522			12B/27	38	Z.125623				12B/26	12	Z.125770	52199			12B/25	20
Z.125533	W. 6194			12B/27	39	Z.125624				12B/26	31	Z.125786		ZA.10822		12B/26	02
Z.125544	50953	X		12B/28	03	Z.125625	52486			12B/26	04	Z.125796	W. 6191			12B/26	19
Z.125545	50959	X		12B/28	04	Z.125626				12B/26	35	Z.125801	W. 6192			12B/26	27
Z.125546	50917	X	10c.15154	12B/28	05	Z.125627				12B/26	34	Z.125827	W. 6424			12B/27	24
Z.125547	50952	X		12B/28	07	Z.125628				12B/26	38	Z.125828		ZA.24762		12B/27	25
Z.125548	50958	X		12B/28	08	Z.125629				12B/26	39	Z.125876			10c.11937	12B/23	03
Z.125549	50916	X	10c.16218	12B/28	09	Z.125630				12B/27	14	Z.125878			10c. 5984	12B/23	26
Z.125550	50951	X		12B/28	11	Z.125631				12B/27	18	Z.125879				12B/24	17
Z.125551	50957	ZA.26533		12B/28	12	Z.125632				12B/27	19	Z.125880			10c. 2648	12B/24	33
Z.125552	50915	X	10c.15038	12B/28	13	Z.125633				12B/28	02	Z.125881			10c. 5596	12B/24	35
Z.125580	50962	ZA.29930		12B/28	16	Z.125634				12B/28	06	Z.125882			10c. 5055	12B/25	05
Z.125581	50990	X		12B/28	17	Z.125635				12B/28	10	Z.125883				12B/26	01
Z.125582	50961	X		12B/28	18	Z.125639	52487			12B/27	11	Z.125884			10c.11419	12B/26	03
Z.125583	50989	X		12B/28	19	Z.125652	X			12B/24	20	Z.125885			10c. 5899	12B/27	03
Z.125584	50960	X		12B/28	20	Z.125653	X			12B/24	24	Z.125886			10c. 792	12B/27	28
Z.125585	50988	X		12B/28	21	Z.125654	X			12B/24	26						
Z.125599		ZA.29180		12B/23	19	Z.125655	X			12B/24	37						
Z.125600				12B/23	02	Z.125656	X	ZA.14386		12B/25	01						
Z.125601				12B/23	04	Z.125657	X			12B/25	19						
Z.125602				12B/23	06	Z.125658	X			12B/25	30						
Z.125603				12B/23	08	Z.125659	X			12B/25	40						
Z.125604				12B/23	12	Z.125660	X			12B/26	15						
Z.125605				12B/23	14	Z.125661	X			12B/26	16						
Z.125606				12B/23	22	Z.125662	X			12B/26	18						
Z.125607				12B/23	24	Z.125663	X			12B/26	30						
Z.125608				12B/23	35	Z.125664	X			12B/27	10						
Z.125609				12B/23	38	Z.125665	X			12B/27	15						
Z.125610				12B/24	06	Z.125666	X			12B/27	40						

X Indicates that the relevant I.S. No. has already been adopted.

CAPACITORS, FIXED

CROSS-REFERENCE INDEX OF INTER-SERVICE CATALOGUE NUMBERS

INTER-SERVICE CAT. No.	ADY. PATT. No.	W.O. CAT. No.	A.M. REF. No.	PAGE	LINE	INTER-SERVICE CAT. No.	ADY. PATT. No.	W.O. CAT. No.	A.M. REF. No.	PAGE	LINE	INTER-SERVICE CAT. No.	ADY. PATT. No.	W.O. CAT. No.	A.M. REF. No.	PAGE	LINE
Z.123007	51026	X	10c. 4690	12B/03	03	Z.123194	W. 2985	ZA. 1989	10c.13791	12A/05	17	Z.123310	51074	X	10c.15096	12B/04	30
Z.123013	51029	X	10c.16321	12B/03	04			ZG. 22959				Z.123326	51130	X	10c.11054	12A/05	39
Z.123014	51032	X	10c. 2406	12B/03	06	Z.123196	51342			12A/05	21	Z.123327	51373			12A/05	40
Z.123020	51035	X	10c.16319	12B/03	07	Z.123197	51150	X	10c.14895	12A/05	19	Z.123331	W. 2552			12B/04	34
Z.123030	51039	X	10c.15155	12B/03	09	Z.123198	51214	X		12A/05	18	Z.123332	51157	X	10c. 2373	12A/06	01
Z.123031	51038	X	10c.15188	12B/03	11	Z.123199	51176	X	10c.16390	12A/05	20	Z.123333	W. 6246	ZC.12060	10c.15844	12A/06	02
Z.123041	51042	X	10c.15156	12B/03	13	Z.123202	51124	ZA. 29303	10c.12311	12A/05	22	Z.123335	51183	X	10c.16394	12A/06	03
Z.123042	51041	X	10c.16320	12B/03	14	Z.123203	51149	X	10c.16382	12A/05	24	Z.123350	W. 2575	ZA. 21604	10c.14736	12A/06	04
Z.123052	51045	X	10c.16225	12B/03	15	Z.123205	51213	X		12A/05	23		ZA. 28027				
Z.123053	51044	X	10c.15191	12B/03	17	Z.123206	51175	X	10c.15987	12A/05	25	Z.123351	51156	X	10c.16384	12A/06	05
Z.123055	51037	X	10c.12226	12B/03	18	Z.123208	51064	X	10c.16327	12B/04	10	Z.123352	51220	X		12A/06	06
Z.123056	51036	X	10c.15988	12B/03	19	Z.123211	51063	X	10c.16326	12B/04	11	Z.123353	51182	X	10c.16393	12A/06	07
Z.123069	51048	X	10c.15184	12B/03	22	Z.123212	51062	X	10c.15099	12B/04	12	Z.123355	51129	ZC. 23290	10c.12000	12A/06	08
Z.123070	51047	X	10c.15183	12B/03	24	Z.123221	51057	ZA. 25440	10c.16299	12B/04	13	Z.123357	51155	X	10c.12337	12A/06	09
Z.123073	W. 639			12B/03	26	Z.123223	51066	X	10c. 5545	12B/04	14	Z.123358	51219	X		12A/06	10
Z.123075	W. 2117A			12B/03	27	Z.123227	51065	X	10c. 2417	12B/04	15	Z.123360	51181	X	10c.12350	12A/06	11
Z.123101	6379			12A/05	07	Z.123233	51070	X	10c.16328	12B/04	16	Z.123365	51079	X	10c.16300	12B/04	36
Z.123109	51052	X	10c.16131	12B/03	30	Z.123236	51069	X	10c.16228	12B/04	17	Z.123365	51078	X	10c.15185	12B/04	37
Z.123110	51051	X	10c.16227	12B/03	31	Z.123238	51068	X	10c.15843	12B/04	18	Z.123367	51077	X	10c.15093	12B/04	39
Z.123111	51050	X	10c.16322	12B/03	32	Z.123243			10c.11481	12B/04	19	Z.123375	51046	X	10c.16329	12B/05	01
Z.123117	51055	X	10c.16323	12B/03	34	Z.123245	W. 3801			12B/04	21	Z.123376	51043	X	10c.16229	12B/05	02
Z.123118	51054	X	10c.16092	12B/03	35	Z.123251	51128	ZA. 1943	10c. 5474	12A/05	25	Z.123377	51040	X	10c.15221	12B/05	03
Z.123119	51053	X	10c.15157	12B/03	38	Z.123253	51369			12A/05	27	Z.123384	W. 2811			12B/05	06
Z.123125		X		12B/03	40	Z.123258	51248	ZA. 1802		12A/05	29	Z.123409	51082	X	10c.15186	12B/05	08
Z.123134	51058	X	10c.15158	12B/04	02	Z.123259	51154	X	10c. 2038	12A/05	28	Z.123410	51081	X	10c.16091	12B/05	11
Z.123135	51057	X	10c.16325	12B/04	03	Z.123274	51127	ZA. 25349	10c. 4764	12A/05	31	Z.123411	51080	X	10c.15100	12B/05	13
Z.123136	51056	X	10c.16324	12B/04	04			ZC. 22960				Z.123430	51197	ZA. 1441	10c. 3774	12A/06	14
Z.123140	51061	X	10c.16135	12B/04	06	Z.123275	51153	X	10c.16383	12A/05	32		ZC. 8499				
Z.123145	W. 1426A			12A/05	09	Z.123276	51217	ZA. 26481		12A/05	33	Z.123431	51133	X	10c. 4248	12A/06	16
Z.123147	51060	ZA. 1653	10c. 2340	12B/04	07	Z.123277	51179	X	10c.16391	12A/05	34						
Z.123155	W. 991			12A/05	16	Z.123280	51126	ZA. 29304	10c.12313	12A/05	35	Z.123437	W. 6247	ZA. 28028	10c.15845	12A/06	18
Z.123156	51059	WY. 1219	10c. 5552	12B/04	09	Z.123282	51152	X	10c.12336	12A/05	36		ZC. 11296				
		ZC. 19974				Z.123283	51216	X		12A/05	37		ZC. 10189				
Z.123161	51125	ZA. 0775	10c. 963	12A/05	10	Z.123284	51178	X	10c.16235	12A/05	38	Z.123438	51160	X	10c.12338	12A/06	17
		ZC. 24358				Z.123286	51180	X	10c.16392	12A/05	30	Z.123439	51186	X	10c.16396	12A/06	19
Z.123166	51151	X	10c.14612	12A/05	13	Z.123287	51073	X	10c.15161	12B/04	22	Z.123455	W. 2574	ZC. 15637	10c.11917	12A/06	23
Z.123167	W. 6245			12A/05	14	Z.123288	51072	X	10c.15160	12B/04	23		ZC. 22961				
Z.123170	51215	X		12A/05	12	Z.123290	51071	X	10c.15159	12B/04	25		ZA. 1997				
Z.123173	51177	X	10c.13652	12A/05	15	Z.123308	51076	X	10c.16004	12B/04	28		ZA/AP/W. 2574				
						Z.123309	51075	X	10c.15162	12B/04	29	Z.123457	51132	ZC. 30906	10c.14677	12A/06	24

X Indicates that the relevant I.S. No. has already been adopted.

CAPACITORS, FIXED

CROSS-REFERENCE INDEX OF INTER-SERVICE CATALOGUE NUMBERS

INTER-SERVICE CAT. No.	ADY. PATT. No.	W.O. CAT. No.	A.M. REF. No.	PAGE	LINE	INTER-SERVICE CAT. No.	ADY. PATT. No.	W.O. CAT. No.	A.M. REF. No.	PAGE	LINE	INTER-SERVICE CAT. No.	ADY. PATT. No.	W.O. CAT. No.	A.M. REF. No.	PAGE	LINE
Z.126009	50993	X		12B/29	03	Z.126172	51007	X		12B/30	20	Z.126284	51023	X		12B/31	25
Z.126010	W. 6195	ZA. 20145		12B/29	02	Z.126173	50976	X		12B/30	21	Z.126285	51022	X	10c.17544	12B/31	26
Z.126018	50964	ZA. 19919		12B/29	06	Z.126174	51006	X		12B/30	22	Z.126286	51021	X		12B/31	27
		ZA. 27141				Z.126193	50981	X		12B/30	24	Z.126288	50530			12B/31	28
Z.126019	50992	X		12B/29	07	Z.126194	51011	X		12B/30	25	Z.126292	51025	X		12B/31	30
Z.126028	50963	ZA. 27126		12B/29	09	Z.126195	50980	X		12B/30	26	Z.126295	W. 7262	X	10c.15746	12B/31	31
		ZA. 1638				Z.126196	51010	X		12B/30	27	Z.126298	W. 6931			12B/31	32
		ZC. 15636				Z.126197	50979	X		12B/30	28	Z.126299	51024	X		12B/31	34
Z.126029	50991	X	10c.14611	12B/29	10	Z.126198	51009	X		12B/30	29	Z.126300	52098			12B/31	33
Z.126034	53011			12B/29	11	Z.126201	50034			12B/30	31	Z.126306	X			12B/30	15
Z.126045	W. 6196			12B/29	13	Z.126204	50926	X		12B/30	32	Z.126307	50542	X		12B/29	23
Z.126054	50967	X		12B/29	15	Z.126205	51030	X		12B/30	33	Z.126308		X		12B/29	33
Z.126055	50996	X		12B/29	16	Z.126206	50923	X	10c.17543	12B/30	34	Z.126309		X		12B/29	38
Z.126059	50966	X		12B/29	17	Z.126207	51028	X	10c.17545	12B/30	35	Z.126312				12B/29	01
Z.126060	50995	X		12B/29	18	Z.126208	50920	X		12B/30	36	Z.126313				12B/29	04
Z.126063	50965	ZA. 21501		12B/29	19	Z.126209	51027	X		12B/30	37	Z.126314				12B/29	08
Z.126064	50994	X		12B/29	20	Z.126222	51437			12B/30	39	Z.126315				12B/29	22
Z.126068	50792			12B/29	21	Z.126225	50984	X		12B/30	40	Z.126316				12B/29	25
Z.126083	50999	X		12B/29	24	Z.126226	51014	X		12B/31	01	Z.126317				12B/29	26
Z.126087	50969	ZA. 11480		12B/29	27	Z.126227	50983	X		12B/31	02	Z.126318				12B/29	29
Z.126088	50998	X		12B/29	28	Z.126228	51013	X		12B/31	03	Z.126319				12B/29	30
Z.126092	50968	ZA. 18573		12B/29	31	Z.126230	50982	X		12B/31	04	Z.126320				12B/30	04
Z.126093	50997	X		12B/29	32	Z.126231	51012	X		12B/31	05	Z.126321				12B/30	07
Z.126111	50972	X		12B/29	34	Z.126249	50987	X		12B/31	07	Z.126322				12B/30	11
Z.126112	51002	X		12B/29	35	Z.126250	51017	X		12B/31	08	Z.126323				12B/30	12
Z.126114	50971	X	10c.15952	12B/29	36	Z.126251	50986	X		12B/31	10	Z.126326	52484			12B/30	03
Z.126115	51001	X		12B/29	37	Z.126252	51016	X	10c.17540	12B/31	11	Z.126335	52302			12B/30	30
Z.126116	50970	ZA. 26788		12B/29	38	Z.126253	50794			12B/31	09	Z.126349			10c.17541	12B/31	35
Z.126117	51000	ZA. 16509	10c.15282	12B/29	40	Z.126254	50985	X		12B/31	12	Z.126350	X			12B/29	12
Z.126120	51446			12B/30	01	Z.126255	51015	X		12B/31	13	Z.126351	X			12B/30	08
Z.126143	50975	X		12B/30	05	Z.126261	W. 6930			12B/31	15	Z.126363		X		12B/31	29
Z.126144	51005	X		12B/30	06	Z.126264	W. 6202			12B/31	16	Z.126419	W. 7260			12B/30	02
Z.126146	50974	X		12B/30	09	Z.126266	W. 6201			12B/31	17	Z.126438	W. 6200			12B/30	38
Z.126147	51004	X		12B/30	10	Z.126267	51034	X	10c.16166	12B/31	18	Z.126444	W. 7261	ZE.15409		12B/31	06
Z.126148	50973	X		12B/30	13	Z.126268	51020	X		12B/31	19	Z.126446	W. 6985			12B/31	14
Z.126149	51003	X		12B/30	14	Z.126269	51033	X		12B/31	20	Z.126467		Z3/10c.3961	10c.3961	12B/29	05
Z.126168	50793			12B/30	16	Z.126270	51019	X		12B/31	21	Z.126468			10c.5045	12B/29	14
Z.126169	50978	X		12B/30	17	Z.126271	51031	X		12B/31	22	Z.126470		Z3/40c.12097	10c.12097	12B/30	23
Z.126170	51008	X		12B/30	18	Z.126272	51018	X		12B/31	23						
Z.126171	50977	X		12B/30	19	Z.126273	W. 6203			12B/31	24						

X Indicates that the relevant I.S. No. has already been adopted.

This Page Intentionally Blank

RCC/1
MAY 1947

INDEX OF ARMY
REFERENCE NUMBERS

This Page Intentionally Blank

INDEX OF ARMY REFERENCE NUMBERS

Reissued April 1949

FOR (Suppressed Service Number)		USE (Inter-Service Ref. Number)		FOR (Suppressed Service Number)		USE (Inter-Service Ref. Number)		FOR (Suppressed Service Number)		USE (Inter-Service Ref. Number)		FOR (Suppressed Service Number)		USE (Inter-Service Ref. Number)	
ZA	0775	Z.123164	ZA	17281	Z.124191	ZA	26482	Z.112154	ZA	28183	Z.124147	ZA	29714	Z.116033	
ZA	0862	Z.124601	ZA	17735	Z.124523	ZA	26506	Z.112152	ZA	28184	Z.124449	ZA	29715	Z.116037	
ZA	1361	Z.124371	ZA	18573	Z.126092	ZA	26507	Z.112347	ZA	28234	Z.111397	ZA	29716	Z.116038	
ZA	1377	Z.124003	ZA	19915	Z.124528	ZA	26508	Z.112521	ZA	28235	Z.112352	ZA	29717	Z.116042	
ZA	1379	Z.124106	ZA	19919	Z.126018	ZA	26509	Z.116034	ZA	28236	Z.112628	ZA	29718	Z.116043	
ZA	1441	Z.123430	ZA	20145	Z.126010	ZA	26510	Z.116123	ZA	28237	Z.112625	ZA	29719	Z.116046	
ZA	1449	Z.124223	ZA	20308	Z.124382	ZA	26511	Z.116180	ZA	28238	Z.112513	ZA	29720	Z.116047	
ZA	1515	Z.124301	ZA	20348	Z.124535	ZA	26520	Z.125245	ZA	28239	Z.112343	ZA	29807	Z.145240	
ZA	1553	Z.124125	ZA	20915	Z.117227	ZA	26521	Z.125041	ZA	28277	Z.124065	ZA	29809	Z.145236	
ZA	1631	Z.123763	ZA	21092	Z.124589	ZA	26533	Z.125551	ZA	28450	Z.125142	ZA	29814	Z.145177	
ZA	1638	Z.126028	ZA	21093	Z.123770	ZA	26534	Z.125047	ZA	28451	Z.124245	ZA	29859	Z.124062	
ZA	1653	Z.123147	ZA	21166	Z.124224	ZA	26550	Z.124181	ZA	28589	Z.124143	ZA	29860	Z.124176	
ZA	1678	Z.125243	ZA	21501	Z.126063	ZA	26570	Z.112145	ZA	28754	Z.112356	ZA	29930	Z.125580	
ZA	1680	Z.125295	ZA	21519	Z.123718	ZA	26602	Z.125126	ZA	28871	Z.145115	ZA	30232	Z.115609	
ZA	1751	Z.145089	ZA	21604	Z.123350	ZA	26604	Z.115027	ZA	28902	Z.123459	ZA	30819	Z.115602	
ZA	1802	Z.123258	ZA	21758	Z.123788	ZA	26606	Z.125333	ZA	29012	Z.111379	ZA	30821	Z.117855	
ZA	1943	Z.123251	ZA	22264	Z.123711	ZA	26788	Z.126116	ZA	29176	Z.125265	ZA	30906	Z.123457	
ZA	1989	Z.123194	ZA	23853	Z.124515	ZA	26789	Z.125021	ZA	29180	Z.125599	ZA	31858	Z.145001	
ZA	1997	Z.123456	ZA	24005	Z.125113	ZA	27125	Z.125311	ZA	29303	Z.123202	ZA	31861	Z.115031	
ZA	10822	Z.125786	ZA	24006	Z.125146	ZA	27126	Z.126028	ZA	29304	Z.123280	ZA	31862	Z.115606	
ZA	10828	Z.124510	ZA	24007	Z.125365	ZA	27129	Z.125021	ZA	29305	Z.124413	ZA	31863	Z.115600	
ZA	11187	Z.125310	ZA	24159	Z.124239	ZA	27141	Z.126018	ZA	29306	Z.124185	ZA	31881	Z.145282	
ZA	11480	Z.126087	ZA	24256	Z.117531	ZA	27142	Z.125245	ZA	29307	Z.124328	ZA	32170	Z.124591	
ZA	11482	Z.125311	ZA	24575	Z.117553	ZA	27143	Z.125232	ZA	29308	Z.124452	ZA	32587	Z.115605	
ZA	11546	Z.125303	ZA	24762	Z.125828	ZA	27156	Z.125112	ZA	29331	Z.123538	ZA	32609	Z.115314	
ZA	11669	Z.124213	ZA	25338	Z.124405	ZA	27331	Z.123764	ZA	29332	Z.115608	ZA	32610	Z.123714	
ZA	12210	Z.124561	ZA	25349	Z.123274	ZA	27334	Z.125124	ZA	29341	Z.115128	ZA	32628	Z.123855	
ZA	12526	Z.125232	ZA	25434	Z.123843	ZA	27371	Z.124518	ZA	29343	Z.115041	ZA	32801	Z.145316	
ZA	12989	Z.124446	ZA	25435	Z.123837	ZA	27655	Z.125192	ZA	29465	Z.116242	ZA	32910	Z.124582	
ZA	12990	Z.124138	ZA	25437	Z.123834	ZA	27807	Z.111395	ZA	29479	Z.124031	ZA	33111	Z.124529	
ZA	13212	Z.124616	ZA	25439	Z.123778	ZA	27808	Z.112514	ZA	29543	Z.116215	ZA	33585	Z.115603	
ZA	14386	Z.125656	ZA	25440	Z.123221	ZA	27809	Z.112341	ZA	29544	Z.116134	ZA	33586	Z.115604	
ZA	14395	Z.125328	ZA	25469	Z.124547	ZA	27810	Z.112160	ZA	29548	Z.123848	ZA	33620	Z.115601	
ZA	14435	Z.125266	ZA	26138	Z.124379	ZA	27811	Z.116257	ZA	29706	Z.115004	ZA	33647	Z.124524	
ZA	15259	Z.117659	ZA	26414	Z.124176	ZA	27816	Z.117854	ZA	29708	Z.115110	ZA	33648	Z.115613	
ZA	15409	Z.126444	ZA	26415	Z.123806	ZA	27817	Z.124516	ZA	29709	Z.115126	ZA	34289	Z.111454	
ZA	15785	Z.124380	ZA	26418	Z.123813	ZA	27853	Z.112528	ZA	29710	Z.115147	ZA	34292	Z.115610	
ZA	15874	Z.124303	ZA	26421	Z.123810	ZA	28027	Z.123350	ZA	29711	Z.116025	ZA	35441	Z.124004	
ZA	16509	Z.126117	ZA	26481	Z.123276	ZA	28028	Z.123437	ZA	29712	Z.116023				
ZA	17052	Z.124581	ZA			ZA	28116	Z.124239	ZA	29713	Z.116029				

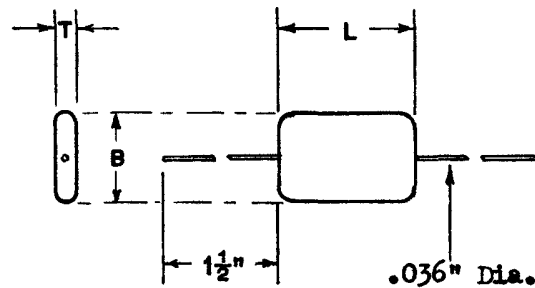
RCC/1

CAPACITORS FIXED, MICA DIELECTRIC (FOIL)
Rectangular — Moulded.

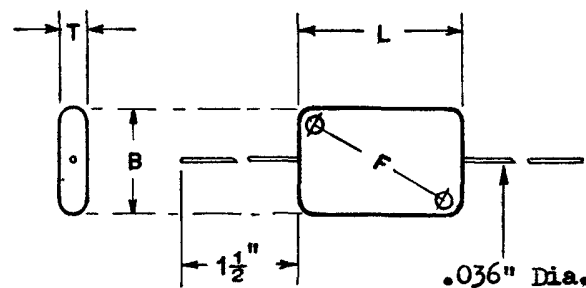
GROUP 12
Section A

Reissued April 1949

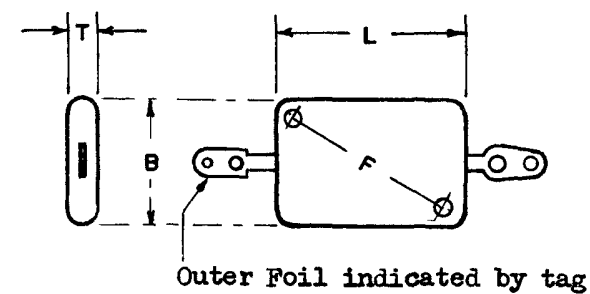
RCL/130.23 and RCL/130.24m



PATTERN AW



PATTERN BW



PATTERN BT

Size	Maximum Dimensions in inches		
	Length (L)	Breadth (B)	Thickness (T)
V	11/16	7/16	7/32
T	3/4	3/4	9/32
U	15/16	1/2	3/16

Size	Dimensions in inches			
	Maximum			Nominal
	Length (L)	Breadth (B)	Thickness (T)	F
W	1.1/8	11/16	9/32	63/64
X	1.1/2	29/32	9/32	1.13/32
Y	1.1/2	29/32	11/32	1.13/32
Z	1.1/2	29/32	3/8	1.13/32

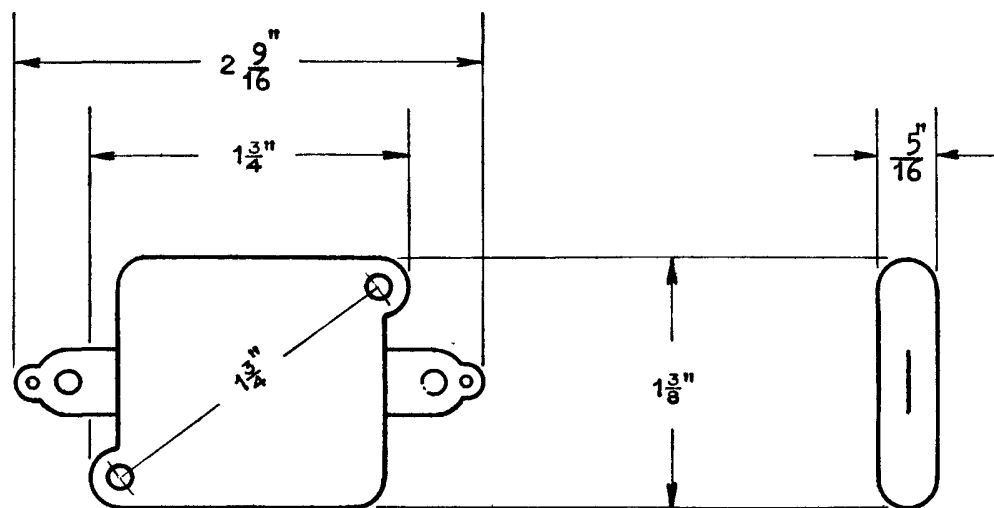
Use 6BA fixing bolts

This Page Intentionally Blank

RCC/1

CAPACITORS FIXED, MICA DIELECTRIC (FOIL)
Rectangular — Moulded.
Non Standard items

GROUP 12
Section A
Reissued April 1949



PATTERN GT

Non Standard

This Page Intentionally Blank

RCC/1

CAPACITORS FIXED, MICA DIELECTRIC (FOIL)
Rectangular — Moulded

GROUP 12
Section 4
Reissued April 1949

LINE No. (a)	CAPACITY		WORKING VOLTAGE (D.C.) at 70°C. (d)	STYLE		BODY DIMENSIONS (max) in inches			TERMS. (m)	MTG. (p)	INTER-SERVICE SPECIFICATION (q)	SERVICE USERS			INTER-SERVICE REFERENCE NUMBER (u)	REMARKS (v)
	NOM µufds (b)	TOL. ± % (c)		PATT (h)	*SIZE (j)	L (k)	B (l)	T (m)				ADM (r)	W.O. (s)	A.M. (t)		
01	40	10	750	Bh	W	1. 1/8	11/16	9/32	Wires	Susp	RCS/132			X	Z.123173	NS Val
02	50	5	350	AW	V	11/16	7/16	7/32	Wires	Susp	RCS/132		X		Z.123174	NS Val Tol
03	50	10	750	BT	W	1. 1/8	11/16	9/32	Tags	Susp	RCS/132		X		Z.123714	NS Val
04	50	15	350	AW	V	11/16	7/16	7/32	Wires	Susp	RCS/132				Z.123718	NS Val Tol
05	50	15	750	BW	W	1. 1/8	11/16	9/32	Wires	Susp	RCS/132		X		Z.123719	NS Val Tol
06	50	20	350	AW	V	11/16	7/16	7/32	Wires	Susp	RCS/132	X		X	Z.123530	NS Val
07	50	20	750	AW*	-	1. 1/16	7/16	1/4	Wires	Susp	RCS/132	X			Z.123101	NS Val Sl.
08	50	20	750	B	-	1. 1/8	11/16	9/32	Wires	Susp	RCS/132		X		Z.123712	NS Val
09	100	5	350	EM*	W*	1. 1/8	11/16	9/32	Tags	Susp	RCS/132	X			Z.123715	NS Tol
10	100	10	350	AW	V	11/16	7/16	7/32	Wires	Susp	RCL/130.23	X	X	X	Z.123161	
11	100	10	350	BT*	W*	1. 1/8	11/16	9/32	Tags	Susp	RCS/132	X			Z.123732	NS
12	100	10	750	BT	W	1. 1/8	11/16	9/32	Wires	Susp	RCL/130.23	X	X		Z.123170	
13	100	10	750	BT	W	1. 1/8	11/16	9/32	Tags	Susp	RCL/130.23	X	X	X	Z.123100	
14	100	10	750	BW	X*	1. 1/2	29/32	9/32	Wires	Susp	RCS/132	X			Z.123167	NS
15	100	10	2000	BT	Z	1. 1/2	29/32	3/8	Tags	Susp	RCL/130.23	X	X	X	Z.123173	
16	100	10	2000	GT	-	1. 3/4	1. 3/8	5/16	Tags	Susp	RCS/132	X			Z.123155	NS Patt Size
17	100	20	350	AW	V	11/16	7/16	7/32	Wires	Susp	RCL/130.23	X	X	X	Z.123194	
18	100	20	750	BW	W	1. 1/8	11/16	9/32	Wires	Susp	RCL/130.23	X	X		Z.123130	
19	100	20	750	BT	W	1. 1/8	11/16	9/32	Tags	Susp	RCL/130.23	X	X	X	Z.123197	
20	100	20	2000	BT	Z	1. 1/2	29/32	3/8	Tags	Susp	RCL/130.23	X	X	X	Z.123199	
21	100	20	2500	BT	X*	1. 1/2	29/32	9/32	Tags	Susp	RCS/132	X			Z.123106	NS Wkg V
22	100	+100 -0	350	AW	V	11/16	7/16	7/32	Wires	Susp	RCL/130.23	X	X	X	Z.123202	
23	100	+100 -0	750	BW	W	1. 1/8	11/16	9/32	Wires	Susp	RCL/130.23	X	X		Z.123205	
24	100	+100 -0	750	BT	W	1. 1/8	11/16	9/32	Tags	Susp	RCL/130.23	X	X	X	Z.123203	
25	100	+100 -0	2000	BT	Z	1. 1/2	29/32	3/8	Tags	Susp	RCL/130.23	X	X	X	Z.123206	
26	200	10	350	AW	V	11/16	7/16	7/32	Wires	Susp	RCL/130.23	X	X	X	Z.123251	
27	200	10	350	BT*	W*	1. 1/8	11/16	9/32	Tags	Susp	RCS/132	X			Z.123253	NS
28	200	10	750	BT	X	1. 1/2	29/32	9/32	Tags	Susp	RCL/130.23	X	X	X	Z.123259	
29	200	10	750	BW	Y	1. 1/2	29/32	11/32	Wires	Susp	RCL/130.23	X	X		Z.123258	
30	200	10	2000	BT	Z	1. 1/2	29/32	3/8	Tags	Susp	RCL/130.23	X	X	X	Z.123286	
31	200	20	350	AW	V	11/16	7/16	7/32	Wires	Susp	RCL/130.23	X	X	X	Z.123274	
32	200	20	750	BT	X	1. 1/2	29/32	9/32	Tags	Susp	RCL/130.23	X	X	X	Z.123275	
33	200	20	750	BW	Y	1. 1/2	29/32	11/32	Wires	Susp	RCL/130.23	X	X		Z.123276	
34	200	20	2000	BT	Z	1. 1/2	29/32	3/8	Tags	Susp	RCL/130.23	X	X	X	Z.123277	
35	200	+100 -0	350	AW	V	11/16	7/16	7/32	Wires	Susp	RCL/130.23	X	X	X	Z.123280	
36	200	+100 -0	750	BT	X	1. 1/2	29/32	9/32	Tags	Susp	RCL/130.23	X	X	X	Z.123282	
37	200	+100 -0	750	BW	Y	1. 1/2	29/32	11/32	Wires	Susp	RCL/130.23	X	X		Z.123283	
38	200	+100 -0	2000	BT	Z	1. 1/2	29/32	3/8	Tags	Susp	RCL/130.23	X	X	X	Z.123284	
39	300	10	350	AW	V	11/16	7/16	7/32	Wires	Susp	RCL/130.23	X	X	X	Z.123326	
40	300	10	350	BT*	W*	1. 1/8	11/16	9/32	Tags	Susp	RCS/132	X			Z.123327	NS

* Indicates Non-Preferred Style

12A/05

CAPACITORS FIXED, MICA DIELECTRIC (FOIL)
 Rectangular — Moulded.

LINE No. (a)	CAPACITY		WORKING VOLTAGE (D.C.) at 70°C. (d)	STYLE		BODY DIMENSIONS (max) in inches			TERMS. (n)	MTG. (p)	INTER-SERVICE SPECIFICATION (q)	SERVICE USERS			INTER-SERVICE REFERENCE NUMBER (u)	REMARKS (v)
	NOM. μmfd.s. (b)	TOL. ±% (c)		PATT. (h)	SIZE (j)	L (k)	B (l)	T (m)				ADM. (r)	W.O. (s)	A.M. (t)		
01	300	10	750	BT	X	1. 1/2	29/32	9/32	Tags	Susp	RCL/130.23	X	X	X	Z.123332	
02	300	10	750	BT	Y	1. 1/2	29/32	11/32	Wires	Susp	RCL/130.23	X	X	X	Z.123333	
03	300	10	2000	BT	Z	1. 1/2	29/32	3/8	Tags	Susp	RCL/130.23	X	X	X	Z.123335	
04	300	20	350	AW	V	11/16	7/16	7/32	Wires	Susp	RCL/130.23	X	X	X	Z.123350	
05	300	20	750	BT	X	1. 1/2	29/32	9/32	Tags	Susp	RCL/130.23	X	X	X	Z.123351	
06	300	20	750	BW	Y	1. 1/2	29/32	11/32	Wires	Susp	RCL/130.23	X	X		Z.123352	
07	300	20	2000	BT	Z	1. 1/2	29/32	3/8	Tags	Susp	RCL/130.23	X	X	X	Z.123353	
08	300	+100 -0	350	AW	V	11/16	7/16	7/32	Wires	Susp	RCL/130.23	X	X	X	Z.123355	
09	300	+100 -0	750	BT	X	1. 1/2	29/32	9/32	Tags	Susp	RCL/130.23	X	X	X	Z.123357	
10	300	+100 -0	750	BW	Y	1. 1/2	29/32	11/32	Wires	Susp	RCL/130.23	X	X		Z.123358	
11	300	+100 -0	2000	BT	Z	1. 1/2	29/32	3/8	Tags	Susp	RCL/130.23	X	X	X	Z.123360	
12	400	10	350	AW	V	11/16	7/16	7/32	Wires	Susp	RCS/132		X		Z.123763	NS Val
13	400	15	350	AW	U*	15/16	1/2	3/16	Wires	Susp	RCS/132		X		Z.123764	NS Val Tol
14	500	10	350	AW	V	11/16	7/16	7/32	Wires	Susp	RCL/130.23	X	X	X	Z.123430	
15	500	10	350	BW*	W	1. 1/8	11/16	9/32	Wires	Susp	RCS/132	X			Z.123769	NS
16	500	10	350	BT	W	1. 1/8	11/16	9/32	Tags	Susp	RCL/130.23	X	X	X	Z.123431	
17	500	10	750	BT	X	1. 1/2	29/32	9/32	Tags	Susp	RCL/130.23	X	X	X	Z.123438	
18	500	10	750	BW	Y	1. 1/2	29/32	11/32	Wires	Susp	RCL/130.23	X	X	X	Z.123437	
19	500	10	2000	BT	Z	1. 1/2	29/32	3/8	Tags	Susp	RCL/130.23	X	X	X	Z.123439	
20	500	15	350	AW	V	11/16	7/16	7/32	Wires	Susp	RCS/132		X		Z.123770	NS Tol
21	500	15	350	AW	U*	15/16	1/2	3/16	Wires	Susp	RCS/132		X		Z.123775	NS Tol
22	500	20	350	AW	V	11/16	7/16	7/32	Wires	Susp	RCL/130.23	X	X	X	Z.123456	
23	500	20	350	BT	W	1. 1/8	11/16	9/32	Tags	Susp	RCL/130.23	X	X	X	Z.123457	
24	500	20	750	BT	X	1. 1/2	29/32	9/32	Tags	Susp	RCL/130.23	X	X	X	Z.123460	
26	500	20	750	BT	Y	1. 1/2	29/32	11/32	Wires	Susp	RCL/130.23	X	X		Z.123459	
27	500	20	2000	BT	Z	1. 1/2	29/32	3/8	Tags	Susp	RCL/130.23	X	X	X	Z.123461	
28	500	25	350	AW	T*	3/4	3/4	9/32	Wires	Susp	RCS/132		X		Z.123778	NS Tol
29	500	+100 -0	350	AW	V	11/16	7/16	7/32	Wires	Susp	RCL/130.23	X	X	X	Z.123465	
30	500	+100 -0	350	BT	W	1. 1/8	11/16	9/32	Tags	Susp	RCL/130.23	X	X	X	Z.123466	
31	500	+100 -0	750	BT	X	1. 1/2	29/32	9/32	Tags	Susp	RCL/130.23	X	X	X	Z.123468	
32	500	+100 -0	750	BW	Y	1. 1/2	29/32	11/32	Wires	Susp	RCL/130.23	X	X		Z.123469	
33	500	+100 -0	2000	BT	Z	1. 1/2	29/32	3/8	Tags	Susp	RCL/130.23	X	X	X	Z.123471	
34	600	5	750	BT	X	1. 1/2	29/32	9/32	Tags	Susp	RCS/132	X	X		Z.123781	NS Val Tol
35	600	10	350	BT	W	1. 1/8	11/16	9/32	Tags	Susp	RCS/132	X			Z.123485	NS Val
36	600	10	750	BT	X	1. 1/2	29/32	9/32	Tags	Susp	RCS/132	X			Z.123487	NS Val
37	780	5	350	BT	W	1. 1/8	11/16	9/32	Tags	Susp	RCS/132		X		Z.123785	NS Val Tol
38	800	10	350	BW*	W	1. 1/8	11/16	9/32	Wires	Susp	RCS/132	X			Z.123519	NS Val
39	800	15	350	AW	V	11/16	7/16	7/32	Wires	Susp	RCS/132		X		Z.123788	NS Val Tol
40	800	15	750	BW*	Y*	1. 1/2	29/32	11/32	Wires	Susp	RCS/132		X		Z.123787	NS Val

* Indicates Non-Preferred Style

RCC/I

CAPACITORS FIXED, MICA DIELECTRIC (FOIL)
 Rectangular — Moulded.

GROUP 12
 Section A
 Reissued April 1949

LINE No.	CAPACITY		WORKING VOLTAGE (D.C.) at 70°C.	STYLE		BODY DIMENSIONS (max) In inches			TERMS.	MTG.	INTER-SERVICE SPECIFICATION	SERVICE USERS			INTER-SERVICE REFERENCE NUMBER	REMARKS
	NOM.	TOL.		PATT.	SIZE	L	B	T				ADM.	W.O.	A.M.		
	(a)	(b)														
01																
02																
03																
04																
05																
06																
07																
08																
09																
10																
11																
12																
13																
14																
15																
16																
17																
18																
19																
20																
21																
22																
23																
24																
25																
26																
27																
28																
29																
30																
31																
32																
33																
34																
35																
36																
37																
38																
39																
40																

RCC/I

CAPACITORS FIXED, MICA DIELECTRIC (FOIL)
 Rectangular — Moulded.

12A/08
 GROUP 12
 Section A
 Reissued April 1949

LINE No. (a)	CAPACITY		WORKING VOLTAGE (D.C.) at 70°C. (d)	STYLE		BODY DIMENSIONS (max) in inches			TERMS. (n)	MTG. (p)	INTER-SERVICE SPECIFICATION (q)	SERVICE USERS			INTER-SERVICE REFERENCE NUMBER (u)	REMARKS (v)
	NOM. μmfd. (b)	TOL. ±% (c)		PATT. (h)	SIZE (j)	L (k)	B (l)	T (m)				ADM. (r)	W.O. (s)	A.M. (t)		

- 01
- 02
- 03
- 04
- 05
- 06
- 07
- 08
- 09
- 10
- 11
- 12
- 13
- 14
- 15
- 16
- 17
- 18
- 19
- 20
- 21
- 22
- 23
- 24
- 25
- 26
- 27
- 28
- 29
- 30
- 31
- 32
- 33
- 34
- 35
- 36
- 37
- 38
- 39
- 40

RCC/1

CAPACITORS FIXED, MICA DIELECTRIC (FOIL)
 Rectangular — Moulded.

GROUP 12
Section A
 Reissued April 1949

LINE No. (a)	CAPACITY		WORKING VOLTAGE (D.C.) at 70°C. (d)	STYLE		BODY DIMENSIONS (max) in inches			TERMS. (n)	MTG. (p)	INTER-SERVICE SPECIFICATION (q)	SERVICE USERS			INTER-SERVICE REFERENCE NUMBER (u)	REMARKS (v)
	NOM. μfds. (b)	TOL. ±% (c)		PATT. (h)	SIZE (i)	L (k)	B (l)	T (m)				ADM. (r)	W.O. (s)	A.M. (t)		
01	.001	5	1500	BT	X	1. 1/2	29/32	9/32	Tags	Susp	RCS/132	X			Z.124017	NS Tol Wkg V
02	.001	10	350	AW	V	11/16	7/16	7/32	Wires	Susp	RCL/130.23	X	X		Z.124488	
03	.001	10	350	AW	T	3/4	3/4	9/32	Wires	Susp	RCL/130.24mm	X	X	X	Z.124598	
04	.001	10	350	BW	W	1. 1/8	11/16	9/32	Wires	Susp	RCL/130.23	X	X	X	Z.124449	
05	.001	10	350	BT	W	1. 1/8	11/16	9/32	Tags	Susp	RCL/130.23	X	X	X	Z.124020	
06	.001	10	750	BT	X	1. 1/2	29/32	9/32	Tags	Susp	RCL/130.23	X	X	X	Z.124031	
07	.001	10	750	BW	Y	1. 1/2	29/32	11/32	Wires	Susp	RCL/130.23	X	X	X	Z.124028	
08	.001	10	2000	BT	Z	1. 1/2	29/32	3/8	Tags	Susp	RCL/130.23	X	X	X	Z.124034	
09	.001	15	350	AW	-	15/16	1/2	5/32	Wires	Susp	RCS/132			X	Z.124592	NS Tol Size
10	.001	15	750	BW*	X	1. 1/2	29/32	9/32	Wires	Susp	RCS/132			X	Z.124593	NS Tol
11	.001	15	750	BT	X	1. 1/2	29/32	9/32	Tags	Susp	RCS/132			X	Z.124594	NS Tol
12	.001	15	2500	GT	-	1. 3/4	1. 3/8	5/16	Tags	Susp	RCS/132		X		Z.124510	NS Tol Wkg V Patt Size
13	.001	20	350	AW	V	11/16	7/16	7/32	Wires	Susp	RCL/130.23	X	X	X	Z.124479	
14	.001	20	350	AW	T	3/4	3/4	9/32	Wires	Susp	RCL/130.24mm	X	X	X	Z.124455	
15	.001	20	350	AW	U*	15/16	1/2	3/16	Wires	Susp	RCS/132	X			Z.124038	NS
16	.001	20	350	BW	W	1. 1/8	11/16	9/32	Wires	Susp	RCL/130.23	X	X	X	Z.124062	
17	.001	20	350	BT	W	1. 1/8	11/16	9/32	Tags	Susp	RCL/130.23	X	X	X	Z.124061	
18	.001	20	750	BT	X	1. 1/2	29/32	9/32	Tags	Susp	RCL/130.23	X	X	X	Z.124064	
19	.001	20	750	BW	Y	1. 1/2	29/32	11/32	Wires	Susp	RCL/130.23	X	X		Z.124065	
20	.001	20	2000	BT	Z	1. 1/2	29/32	3/8	Tags	Susp	RCL/130.23	X	X	X	Z.124067	
21	.001	25	350	AW	V	11/16	7/16	7/32	Wires	Susp	RCS/132		X		Z.124515	NS Tol
22	.001	+100 -0	350	AW	V	11/16	7/16	7/32	Wires	Susp	RCL/130.23		X		Z.124489	
23	.001	+100 -0	350	BW	W	1. 1/8	11/16	9/32	Wires	Susp	RCL/130.23	X	X	X	Z.124452	
24	.001	+100 -0	350	BT	W	1. 1/8	11/16	9/32	Tags	Susp	RCL/130.23	X	X	X	Z.124074	
25	.001	+100 -0	750	BT	X	1. 1/2	29/32	9/32	Tags	Susp	RCL/130.23	X	X	X	Z.124075	
26	.001	+100 -0	750	BW	Y	1. 1/2	29/32	11/32	Wires	Susp	RCL/130.23	X	X	X	Z.124076	
27	.001	+100 -0	2000	BT	Z	1. 1/2	29/32	3/8	Tags	Susp	RCL/130.23	X	X	X	Z.124077	
28	.001	+Inf -25	350	AW	V	11/16	7/16	7/32	Wires	Susp	RCS/132		X		Z.124516	NS Tol
29	.001	+Inf -25	350	AW	-	3/4	3/4	1/4	Wires	Susp	RCS/132			X	Z.124595	NS Tol Size
30	.0012	10	750	BW*	X	1. 1/2	29/32	9/32	Wires	Susp	RCS/132	X			Z.124092	NS Val
31	.0013	10	350	BW	W	1. 1/8	11/16	9/32	Wires	Susp	RCS/132	X			Z.124100	NS Val
32	.0013	15	350	AW	U*	15/16	1/2	3/16	Wires	Susp	RCS/132		X		Z.124518	NS Val Tol
33	.0015	5	350	BT	W	1. 1/8	11/16	9/32	Tags	Susp	RCS/132	X			Z.124108	NS Val Tol
34	.0015	10	350	BT	W	1. 1/8	11/16	9/32	Tags	Susp	RCS/132	X			Z.124111	NS Val
35	.002	5	350	BW	W*	1. 1/8	11/16	9/32	Wires	Susp	RCS/132		X		Z.124523	NS Tol
36	.002	5	750	BT	X	1. 1/2	29/32	9/32	Tags	Susp	RCS/132	X			Z.124140	NS Tol
37	.002	10	350	AW	T	3/4	3/4	9/32	Wires	Susp	RCL/130.24mm				Z.124148	
38	.002	10	350	BW	W*	1. 1/8	11/16	9/32	Wires	Susp	RCS/132	X	X		Z.124525	NS
39	.002	10	350	BT	W*	1. 1/8	11/16	9/32	Tags	Susp	RCS/132		X		Z.124524	NS
40	.002	10	350	BT	X	1. 1/2	29/32	9/32	Tags	Susp	RCL/130.23	X	X	X	Z.124143	

* Indicates Non-Preferred Style

12A/09

CAPACITORS FIXED, MICA DIELECTRIC (FOIL)
Rectangular — Moulded.

LINE No. (a)	CAPACITY		WORKING VOLTAGE (D.C.) at 70°C. (d)	STYLE		BODY DIMENSIONS (max) Inches			TERMS. (n)	MTG. (p)	INTER-SERVICE SPECIFICATION (q)	SERVICE USERS			INTER-SERVICE REFERENCE NUMBER (u)	REMARKS (v)
	NOM. μfds. (b)	TOL. ± % (c)		PATT. (h)	SIZE (j)	L (k)	B (l)	T (m)				ADM. (r)	W.O. (s)	A.M. (t)		
01	.002	10	350	BW	Y	1. 1/2	29/32	11/32	Wires	Susp	RCL/130.23	X	X	X	Z.124.147	
02	.002	10	750	BT	X	1. 1/2	29/32	9/32	Tags	Susp	RCL/130.23	X	X	X	Z.124.150	
03	.002	10	750	BW	Y	1. 1/2	29/32	11/32	Wires	Susp	RCL/130.23	X	X	X	Z.124.153	
04	.002	10	2000	BT	Z	1. 1/2	29/32	3/8	Tags	Susp	RCL/130.23	X	X	X	Z.124.153	
05	.002	15	350	AW	T	3/4	3/4	9/32	Wires	Susp	RCS/132		X		Z.124.528	NS Tol
06	.002	15	350	BT	W*	1. 1/8	11/16	9/32	Tags	Susp	RCS/132	X	X	X	Z.124.529	NS Tol
07	.002	20	350	AW	T	3/4	3/4	9/32	Wires	Susp	RCL/130.24μm	X	X	X	Z.124.463	
08	.002	20	350	BW	W*	1. 1/8	11/16	9/32	Wires	Susp	RCS/132		X		Z.124.535	NS
09	.002	20	350	BT	W*	1. 1/8	11/16	9/32	Tags	Susp	RCS/132		X		Z.124.174	NS
10	.002	20	350	BT	X	1. 1/2	29/32	9/32	Tags	Susp	RCL/130.23	X	X	X	Z.124.175	
11	.002	20	350	BW	Y	1. 1/2	29/32	11/32	Wires	Susp	RCL/130.23	X	X	X	Z.124.176	
12	.002	20	750	BT	X	1. 1/2	29/32	9/32	Tags	Susp	RCL/130.23	X	X	X	Z.124.180	
13	.002	20	750	BW	Y	1. 1/2	29/32	11/32	Wires	Susp	RCL/130.23	X	X		Z.124.181	
14	.002	20	2000	BT	Z	1. 1/2	29/32	3/8	Tags	Susp	RCL/130.23	X	X	X	Z.124.183	
15	.002	+100 -0	350	BT	X	1. 1/2	29/32	9/32	Tags	Susp	RCL/130.23	X	X	X	Z.124.184	
16	.002	+100 -0	350	BW	Y	1. 1/2	29/32	11/32	Wires	Susp	RCL/130.23	X	X		Z.124.185	
17	.002	+100 -0	750	BT	X	1. 1/2	29/32	9/32	Wires	Susp	RCL/130.23	X	X	X	Z.124.186	
18	.002	+100 -0	750	BW	Y	1. 1/2	29/32	11/32	Wires	Susp	RCL/130.23	X	X		Z.124.187	
19	.002	+100 -0	2000	BT	Z	1. 1/2	29/32	3/8	Tags	Susp	RCL/130.23	X	X	X	Z.124.188	
20	.003	5	350	BT	X	1. 1/2	29/32	9/32	Tags	Susp	RCS/132	X			Z.124.482	NS Tol
21	.003	10	350	AW	T	3/4	3/4	9/32	Wires	Susp	RCL/130.24μm				Z.124.222	
22	.003	10	350	BT	X	1. 1/2	29/32	9/32	Tags	Susp	RCL/130.23	X	X	X	Z.124.224	
23	.003	10	350	BW	Y	1. 1/2	29/32	11/32	Wires	Susp	RCL/130.23	X	X		Z.124.223	
24	.003	10	750	BT	X	1. 1/2	29/32	9/32	Tags	Susp	RCL/130.23	X	X	X	Z.124.226	
25	.003	10	750	BW	Y	1. 1/2	29/32	11/32	Wires	Susp	RCL/130.23	X	X	X	Z.124.227	
26	.003	15	350	AW	T	3/4	3/4	9/32	Wires	Susp	RCS/132		X	X	Z.124.233	NS Tol
27	.003	20	350	AW	T	3/4	3/4	9/32	Wires	Susp	RCL/130.24μm	X		X	Z.124.477	
28	.003	20	350	BT	X	1. 1/2	29/32	9/32	Tags	Susp	RCL/130.23	X	X	X	Z.124.240	
29	.003	20	350	BW	Y	1. 1/2	29/32	11/32	Wires	Susp	RCL/130.23	X	X		Z.124.239	
30	.003	20	750	BT	X	1. 1/2	29/32	9/32	Tags	Susp	RCL/130.23	X	X	X	Z.124.243	
31	.003	20	750	BW	Y	1. 1/2	29/32	11/32	Wires	Susp	RCL/130.23	X	X		Z.124.242	
32	.003	25	350	AW	T	3/4	3/4	9/32	Wires	Susp	RCS/132		X		Z.124.547	NS Tol
33	.003	+100 -0	350	BT	X	1. 1/2	29/32	9/32	Tags	Susp	RCL/130.23	X	X	X	Z.124.246	
34	.003	+100 -0	350	BW	Y	1. 1/2	29/32	11/32	Wires	Susp	RCL/130.23	X	X		Z.124.245	
35	.003	+100 -0	750	BT	X	1. 1/2	29/32	9/32	Tags	Susp	RCL/130.23	X	X	X	Z.124.248	
36	.003	+100 -0	750	BW	Y	1. 1/2	29/32	11/32	Wires	Susp	RCL/130.23	X	X		Z.124.247	
37	.005	5	750	BT	Z	1. 1/2	29/32	3/8	Tags	Susp	RCS/132	X			Z.124.298	NS Tol
38	.005	10	350	AW	T	3/4	3/4	9/32	Wires	Susp	RCL/130.24μm		X		Z.124.303	
39	.005	10	350	BT	X	1. 1/2	29/32	9/32	Tags	Susp	RCL/130.23	X	X	X	Z.124.300	
40	.005	10	350	BW	Y	1. 1/2	29/32	11/32	Wires	Susp	RCL/130.23	X	X	X	Z.124.301	

* Indicates Non-Preferred Style

RCC/I

CAPACITORS FIXED, MICA DIELECTRIC (FOIL)
Rectangular — Moulded.

GROUP 12
Section A
Reissued April 1949

LINE No. (a)	CAPACITY		WORKING VOLTAGE (D.C.) at 70°C. (d)	STYLE		BODY DIMENSIONS (max) In inches			TERMS. (n)	MTG. (p)	INTER-SERVICE SPECIFICATION (q)	SERVICE USERS			INTER-SERVICE REFERENCE NUMBER (u)	REMARKS (v)
	NOM.	TOL.		PATT. (h)	SIZE (j)	L (k)	B (l)	T (m)				ADM.	W.O.	A.M.		
	µfds. (b)	± % (c)														
01	.005	10	750	BW*	Z	1. 1/2	29/32	3/8	Wires	Susp	RCS/132	X			Z.124307	NS
02	.005	10	750	BT	Z	1. 1/2	29/32	3/8	Tags	Susp	RCL/130.23	X	X	X	Z.124306	
03	.005	15	2500	GT	-	1. 3/4	1. 3/8	5/16	Tags	Susp	RCS/132		X		Z.124561	NS Tol Patt Size
04	.005	20	350	AW	T	3/4	3/4	9/32	Wires	Susp	RCL/130.24m		X	X	Z.124480	
05	.005	20	350	BT	X	1. 1/2	29/32	9/32	Tags	Susp	RCL/130.23	X	X	X	Z.124321	
06	.005	20	350	BW	Y	1. 1/2	29/32	11/32	Wires	Susp	RCL/130.23	X	X	X	Z.124322	
07	.005	20	750	BT	Z	1. 1/2	29/32	3/8	Tags	Susp	RCL/130.23	X	X	X	Z.124325	
08	.005	+100 -0	350	BT	X	1. 1/2	29/32	9/32	Tags	Susp	RCL/130.23	X	X	X	Z.124327	
09	.005	+100 -0	350	BW	Y	1. 1/2	29/32	11/32	wires	Susp	RCL/130.23	X	X		Z.124328	
10	.005	+100 -0	750	BT	Z	1. 1/2	29/32	3/8	Tags	Susp	RCL/130.23	X	X	X	Z.124329	
11																
12	.006	15	750	BT	X*	1. 1/2	29/32	9/32	Tags	Susp	RCS/132		X		Z.124568	NS Val Tol
13	.007	5	750	BT	Z	1. 1/2	29/32	3/8	Tags	Susp	RCS/132	X			Z.124357	NS Val Tol
14	.01	10	350	AW	T	3/4	3/4	9/32	Wires	Susp	RCL/130.24m				Z.124406	
15	.01	10	350	BW*	X	1. 1/2	29/32	9/32	Wires	Susp	RCS/132			X	Z.124596	NS
16	.01	10	350	BT	X	1. 1/2	29/32	9/32	Tags	Susp	RCL/130.23	X	X	X	Z.124378	
17	.01	10	350	BW	Y	1. 1/2	29/32	11/32	Wires	Susp	RCL/130.23	X	X	X	Z.124379	
18	.01	10	750	BT	Z	1. 1/2	29/32	3/8	Tags	Susp	RCL/130.23	X	X	X	Z.124382	
19	.01	15	350	BW*	X	1. 1/2	29/32	9/32	Wires	Susp	RCS/132			X	Z.124597	NS Tol
20	.01	15	1000	GT	-	1. 3/4	1. 3/8	5/16	Tags	Susp	RCS/132		X		Z.124581	NS Tol Wkg V Patt Si
21	.01	15	2000	BT	Z	1. 1/2	29/32	3/8	Tags	Susp	RCS/132		X		Z.124582	NS Tol
22	.01	20	350	AW	T	3/4	3/4	9/32	Wires	Susp	RCL/130.24m		X	X	Z.124484	
23	.01	20	350	BT	X	1. 1/2	29/32	9/32	Tags	Susp	RCL/130.23	X	X	X	Z.124407	
24	.01	20	350	BW	Y	1. 1/2	29/32	11/32	Wires	Susp	RCL/130.23	X	X	X	Z.124405	
25	.01	20	750	BT	Z	1. 1/2	29/32	3/8	Tags	Susp	RCL/130.23	X	X	X	Z.124409	
26	.01	+100 -0	350	BT	X	1. 1/2	29/32	9/32	Tags	Susp	RCL/130.23	X	X	X	Z.124412	
27	.01	+100 -0	350	BW	Y	1. 1/2	29/32	11/32	Wires	Susp	RCL/130.23	X	X	X	Z.124413	
28	.01	+100 -0	750	BT	Z	1. 1/2	29/32	3/8	Tags	Susp	RCL/130.23	X	X	X	Z.124415	
29	.02	5	350	BT	Z*	1. 1/2	29/32	3/8	Tags	Susp	RCS/132	X			Z.124425	NS Val Tol
30	.02	10	350	BT	X	1. 1/2	29/32	9/32	Tags	Susp	RCS/132		X		Z.124589	NS Val
31	.02	15	350	GT	-	1. 3/4	1. 3/8	5/16	Tags	Susp	RCS/132		X		Z.124435	NS Tol Patt Size
32	.02	20	350	BW	Z*	1. 1/2	29/32	3/8	Wires	Susp	RCS/132		X		Z.124591	NS Val
33																
34																
35																
36																
37																
38																
39																
40																

* Indicates Non-Preferred Style

12A/11

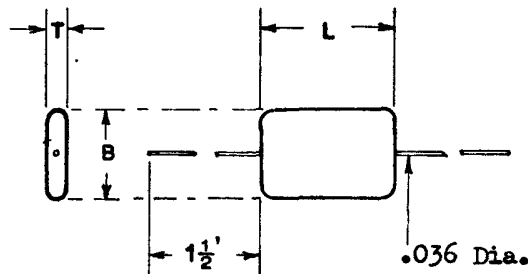
RCC/I

CAPACITORS FIXED, MICA DIELECTRIC (METALLISED)
 Rectangular — Moulded.

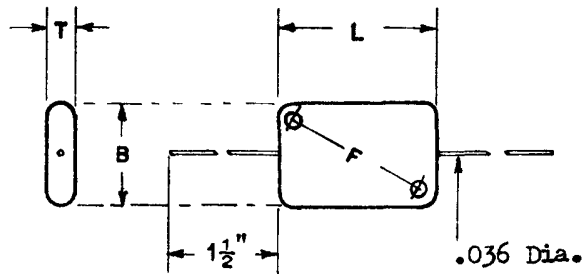
GROUP 12
 Section B

RGL/130.21 and 130.24m

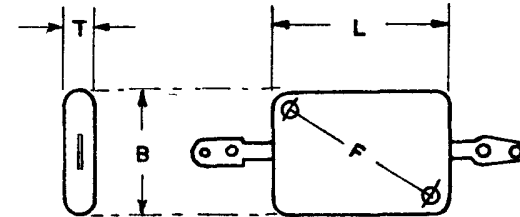
Reissued April 1949



PATTERN AW



PATTERN BW



PATTERN BT

(Non Standard in this section.)

Size	Maximum Dimensions in inches		
	Length (L)	Breadth (B)	Thickness (T)
V	11/16	7/16	7/32
T	3/4	3/4	9/32
U	15/16	1/2	3/16

Size	Dimensions in inches			
	Maximum			Nominal
	Length (L)	Breadth (B)	Thickness (T)	F
W	1.1/8	11/16	9/32	63/64
S	1.1/2	29/32	11/32	1.13/32

Use 6BA fixing bolts

This Page Intentionally Blank

RCC/1

CAPACITORS FIXED, MICA DIELECTRIC (METALLISED)
Rectangular — Moulded.

GROUP 2
Section B
Reissued April 1949

LINE	CAPACITY		WORKING VOLTAGE (D.C.) at 70°C.	STYLE		BODY DIMENSIONS (max)			TERMS.	MTG.	INTER-SERVICE SPECIFICATION	SERVICE USERS			INTER-SERVICE REFERENCE NUMBER	REMARKS
	NOM.	TOL.		PATT.	SIZE	in inches						ADM.	W.O.	A.M.		
	No. (a)	μ fds. (b)		\pm % (c)	(h)	(j)	L (k)	B (l)				T (m)	(n)	(p)		
01	5	10	350	AW	V	11/16	7/16	7/32	Wires	Susp	RCS/132			X	Z.123571	NS Val
02	10	10	350	AW	V	11/16	7/16	7/32	Wires	Susp	RCL/130.24m			X	Z.123572	
03	10	10	350	AW	U	15/16	1/2	3/16	Wires	Susp	RCL/130.21	X	X	X	Z.123007	
04	12	10	350	AW	U	15/16	1/2	3/16	Wires	Susp	RCL/130.21	X	X	X	Z.123013	
05	15	10	350	AW	V	11/16	7/16	7/32	Wires	Susp	RCL/130.24m			X	Z.123573	
06	15	10	350	AW	U	15/16	1/2	3/16	Wires	Susp	RCL/130.21	X	X	X	Z.123014	
07	18	10	350	AW	U	15/16	1/2	3/16	Wires	Susp	RCL/130.21	X	X	X	Z.123020	
08	20	5	350	AW	U	15/16	1/2	3/16	Wires	Susp	RCS/132			X	Z.123574	NS Val Tol
09	22	5	350	AW	U	15/16	1/2	3/16	Wires	Susp	RCL/130.21	X	X	X	Z.123030	
10	22	10	350	AW	V	11/16	7/16	7/32	Wires	Susp	RCL/130.24m			X	Z.123575	
11	22	10	350	AW	U	15/16	1/2	3/16	Wires	Susp	RCL/130.21	X	X	X	Z.123031	
12	25	1	350	AW	U	15/16	1/2	3/16	Wires	Susp	RCS/132			X	Z.123576	NS Val Tol
13	27	5	350	AW	U	15/16	1/2	3/16	Wires	Susp	RCL/130.21	X	X	X	Z.123041	
14	27	10	350	AW	U	15/16	1/2	3/16	Wires	Susp	RCL/130.21	X	X	X	Z.123042	
15	33	5	350	AW	U	15/16	1/2	3/16	Wires	Susp	RCL/130.21	X	X	X	Z.123052	
16	33	10	350	AW	V	11/16	7/16	7/32	Wires	Susp	RCL/130.24m			X	Z.123563	
17	33	10	350	AW	U	15/16	1/2	3/16	Wires	Susp	RCL/130.21	X	X	X	Z.123053	
18	39	5	350	AW	U	15/16	1/2	3/16	Wires	Susp	RCL/130.21	X	X	X	Z.123055	
19	39	10	350	AW	U	15/16	1/2	3/16	Wires	Susp	RCL/130.21	X	X	X	Z.123056	
20	40	2	350	AW	U	15/16	1/2	3/16	Wires	Susp	RCS/132		X		Z.123806	NS Val Tol
21	40	5	350	AW	U	15/16	1/2	3/16	Wires	Susp	RCS/132			X	Z.123578	NS Val
22	47	5	350	AW	U	15/16	1/2	3/16	Wires	Susp	RCL/130.21	X	X	X	Z.123069	
23	47	10	350	AW	V	11/16	7/16	7/32	Wires	Susp	RCL/130.24m		X	X	Z.123564	
24	47	10	350	AW	U	15/16	1/2	3/16	Wires	Susp	RCL/130.21	X	X	X	Z.123070	
25	50	1	350	AW	U	15/16	1/2	3/16	Wires	Susp	RCS/132			X	Z.123581	NS Val Tol
26	50	2 pf	350	BW*	W*	1. 1/8	11/16	9/32	Wires	Susp	RCS/132	X			Z.123073	NS Val Tol
27	50	5	350	BT*	W*	1. 1/8	11/16	9/32	Tags	Susp	RCS/132	X			Z.123075	NS Val
28	50	10	350	AW	-	15/16	1/2	5/32	Wires	Susp	RCS/132			X	Z.123860	NS Val Size
29	50	10	750	BW*	W*	1. 1/8	11/16	9/32	Wires	Susp	RCS/132		X		Z.123810	NS Val Wkg V
30	56	2	350	AW	U	15/16	1/2	3/16	Wires	Susp	RCL/130.21	X	X	X	Z.123109	
31	56	5	350	AW	U	15/16	1/2	3/16	Wires	Susp	RCL/130.21	X	X	X	Z.123110	
32	56	10	350	AW	U	15/16	1/2	3/16	Wires	Susp	RCL/130.21	X	X	X	Z.123111	
33	60	5	350	AW	U	15/16	1/2	3/16	Wires	Susp	RCS/132		X		Z.123813	NS Val
34	68	2	350	AW	U	15/16	1/2	3/16	Wires	Susp	RCL/130.21	X	X	X	Z.123117	
35	68	5	350	AW	U	15/16	1/2	3/16	Wires	Susp	RCL/130.21	X	X	X	Z.123118	
36	68	5	350	BH*	H*	1. 1/8	11/16	9/32	Wires	Susp	RCS/132		X		Z.123855	NS
37	68	10	350	AH	V	11/16	7/16	7/32	Wires	Susp	RCL/130.24m			X	Z.123582	
38	68	10	350	AW	U	15/16	1/2	3/16	Wires	Susp	RCL/130.21	X	X	X	Z.123119	
39	75	1	350	AW	U	15/16	1/2	3/16	Wires	Susp	RCS/132			X	Z.123583	NS Val Tol
40	75	10	350	AW	U	15/16	1/2	3/16	Wires	Susp	RCS/132		X		Z.123125	NS Val

* Indicates Non-Preferred Style

12B/03

RCC/I

CAPACITORS FIXED, MICA DIELECTRIC (METALLISED)
Rectangular — Moulded.

GROUP 12
Section B

Reissued April 1949

LINE No. (a)	CAPACITY		WORKING VOLTAGE (D.C.) at 70°C. (d)	STYLE		BODY DIMENSIONS (max) in inches			TERMS. (n)	MTG. (p)	INTER-SERVICE SPECIFICATION (q)	SERVICE USERS			INTER-SERVICE REFERENCE NUMBER (u)	REMARKS (v)
	NOM. μmfd. (b)	TOL. ± % (c)		PATT (h)	SIZE (j)	L (k)	B (l)	T (m)				ADM. (r)	W.O. (s)	A.M. (t)		
01	80	2	350	AW	U	15/16	1/2	3/16	Wires	Susp	RCS/132			X	Z.123584	NS Val
02	82	2	350	AW	U	15/16	1/2	3/16	Wires	Susp	RCL/130.21	X	X	X	Z.123134	
03	82	5	350	AW	U	15/16	1/2	3/16	Wires	Susp	RCL/130.21	X	X	X	Z.123135	
04	82	10	350	AW	U	15/16	1/2	3/16	Wires	Susp	RCL/130.21	X	X	X	Z.123136	
05	100	1	350	AW	U	15/16	1/2	3/16	Wires	Susp	RCS/132			X	Z.123538	NS Tol
06	100	2	350	AW	U	15/16	1/2	3/16	Wires	Susp	RCL/130.21	X	X	X	Z.123140	
07	100	5	350	AW	U	15/16	1/2	3/16	Wires	Susp	RCL/130.21	X	X	X	Z.123147	
08	100	10	350	AW	V	11/16	7/16	7/32	Wires	Susp	RCL/130.21μm			X	Z.123565	
09	100	10	350	AW	U	15/16	1/2	3/16	Wires	Susp	RCL/130.21	X	X	X	Z.123156	
10	120	2	350	AW	U	15/16	1/2	3/16	Wires	Susp	RCL/130.21	X	X	X	Z.123208	
11	120	5	350	AW	U	15/16	1/2	3/16	Wires	Susp	RCL/130.21	X	X	X	Z.123211	
12	120	10	350	AW	U	15/16	1/2	3/16	Wires	Susp	RCL/130.21	X	X	X	Z.123212	
13	150	2	350	AW	U	15/16	1/2	3/16	Wires	Susp	RCL/130.21	X	X	X	Z.123221	
14	150	5	350	AW	U	15/16	1/2	3/16	Wires	Susp	RCL/130.21	X	X	X	Z.123223	
15	150	10	350	AW	U	15/16	1/2	3/16	Wires	Susp	RCL/130.21	X	X	X	Z.123227	
16	180	2	350	BW	W	1. 1/8	11/16	9/32	Wires	Susp	RCL/130.21	X	X	X	Z.123235	
17	180	5	350	BW	W	1. 1/8	11/16	9/32	Wires	Susp	RCL/130.21	X	X	X	Z.123236	
18	180	10	350	BW	W	1. 1/8	11/16	9/32	Wires	Susp	RCL/130.21	X	X	X	Z.123238	
19	200	2	350	BW	W	1. 1/8	11/16	9/32	Wires	Susp	RCS/132			X	Z.123243	NS Val
20	200	5	350	BW	W	1. 1/8	11/16	9/32	Wires	Susp	RCS/132	X			Z.123831	NS Val
21	200	5	350	BT*	W	1. 1/8	11/16	9/32	Tags	Susp	RCS/132	X			Z.123245	NS Val
22	220	2	350	BW	W	1. 1/8	11/16	9/32	Wires	Susp	RCL/130.21	X	X	X	Z.123287	
23	220	5	350	BW	W	1. 1/8	11/16	9/32	Wires	Susp	RCL/130.21	X	X	X	Z.123288	
24	220	10	350	AW	V	11/16	7/16	7/32	Wires	Susp	RCL/130.21μm			X	Z.123622	
25	220	10	350	BW	W	1. 1/8	11/16	9/32	Wires	Susp	RCL/130.21	X	X	X	Z.123290	
26	230	2	350	AW	U*	15/16	1/2	3/16	Wires	Susp	RCS/132			X	Z.123834	NS Val
27	230	2	350	BW	W	1. 1/8	11/16	9/32	Wires	Susp	RCS/132			X	Z.123523	NS Val
28	270	2	350	BW	W	1. 1/8	11/16	9/32	Wires	Susp	RCL/130.21	X	X	X	Z.123308	
29	270	5	350	BW	W	1. 1/8	11/16	9/32	Wires	Susp	RCL/130.21	X	X	X	Z.123309	
30	270	10	350	BW	W	1. 1/8	11/16	9/32	Wires	Susp	RCL/130.21	X	X	X	Z.123310	
31	300	2	350	AW	U*	15/16	1/2	3/16	Wires	Susp	RCS/132			X	Z.123837	NS Val
32	300	5	350	AW	U*	15/16	1/2	3/16	Wires	Susp	RCS/132			X	Z.123839	NS Val
33	300	5	350	BW	W	1. 1/8	11/16	9/32	Wires	Susp	RCS/132	X			Z.123838	NS Val
34	300	10	350	BW	W	1. 1/8	11/16	9/32	Wires	Susp	RCS/132	X			Z.123331	NS Val
35	318	5	350	BW	W	1. 1/8	11/16	9/32	Wires	Susp	RCS/132			X	Z.123630	NS Val
36	330	2	350	BW	W	1. 1/8	11/16	9/32	Wires	Susp	RCL/130.21	X	X	X	Z.123365	
37	330	5	350	BW	W	1. 1/8	11/16	9/32	Wires	Susp	RCL/130.21	X	X	X	Z.123366	
38	330	10	350	AW	V	11/16	7/16	7/32	Wires	Susp	RCL/130.21μm			X	Z.123590	
39	330	10	350	BW	W	1. 1/8	11/16	9/32	Wires	Susp	RCL/130.21	X	X	X	Z.123367	
40	330	20	350	BW	W	1. 1/8	11/16	9/32	Wires	Susp	RCS/132			X	Z.123522	NS Tol

* Indicates Non-Preferred Style

RCC/I

CAPACITORS FIXED, MICA DIELECTRIC METALLISED.
Rectangular — Moulded.

GROUP 1
Section B
Reissued April 1949

LINE No. (a)	CAPACITY		WORKING VOLTAGE (D.C.) at 70°C. (d)	STYLE		BODY DIMENSIONS (max) in inches			TERMS. (n)	MTG (p)	INTER-SERVICE SPECIFICATION (q)	SERVICE USERS			INTER-SERVICE REFERENCE NUMBER (r)	REMARKS (v)
	NOM. μfds. (b)	TOL. ± % (c)		PATT (h)	SIZE (j)	L (k)	B (l)	T (m)				ADM.	W O	A M.		
												(r)	(s)	(t)		
01	390	2	350	BW	W	1. 1/8	11/16	9/32	Wires	Susp	RCL/130.21	X	X	X	Z.123375	
02	390	5	350	BW	W	1. 1/8	11/16	9/32	Wires	Susp	RCL/130.21	X	X	X	Z.123376	
03	390	10	350	BW	W	1. 1/8	11/16	9/32	Wires	Susp	RCL/130.21	X	X	X	Z.123377	
04	400	2	350	AW	U*	15/16	1/2	3/16	Wires	Susp	RCS/132		X		Z.123343	NS Val
05	400	5	350	AW	U*	15/16	1/2	3/16	Wires	Susp	RCS/132	X		X	Z.123344	NS Val
06	400	5	350	BW	W	1. 1/8	11/16	9/32	Wires	Susp	RCS/132	X			Z.123384	NS Val
07	430	1	350	BW	S*	1. 1/2	29/32	11/32	Wires	Susp	RCL/132			X	Z.123391	NS Val Tol
08	470	2	350	BW	W	1. 1/8	11/16	9/32	Wires	Susp	RCL/130.21	X	X	X	Z.123409	
09	470	2	350	BT*	W	1. 1/8	11/16	9/32	Tags	Susp	RCS/132		X		Z.123529	NS
10	470	5	350	AW	V	11/16	7/16	7/32	Wires	Susp	RCL/130.24m		X	X	Z.123372	
11	470	5	350	BW	W	1. 1/8	11/16	9/32	Wires	Susp	RCL/130.21	X	X	X	Z.123340	
12	470	10	350	AW	V	11/16	7/16	7/32	Wires	Susp	RCL/130.24m			X	Z.123593	
13	470	10	350	BW	W	1. 1/8	11/16	9/32	Wires	Susp	RCL/130.21	X	X	X	Z.123411	
14	500	5	350	AW	U*	15/16	1/2	3/16	Wires	Susp	RCS/132		X		Z.123348	NS Val
15	500	5	350	BW	W	1. 1/8	11/16	9/32	Wires	Susp	RCS/132	X	*		Z.123349	NS Val
16	500	10	350	BW	W	1. 1/8	11/16	9/32	Wires	Susp	RCS/132	X			Z.123350	NS Val
17	560	2	350	BW	W	1. 1/8	11/16	9/32	Wires	Susp	RCL/130.21	X		X	Z.123474	
18	560	5	350	BW	W	1. 1/8	11/16	9/32	Wires	Susp	RCL/130.21	X	X	X	Z.123475	
19	560	10	350	BW	W	1. 1/8	11/16	9/32	Wires	Susp	RCL/130.21	X	X	X	Z.123477	
20	680	2	350	BW	W	1. 1/8	11/16	9/32	Wires	Susp	RCL/130.21	X	X	X	Z.123491	
21	680	5	350	BW	W	1. 1/8	11/16	9/32	Wires	Susp	RCL/130.21	X	X	X	Z.123492	
22	680	10	350	BW	W	1. 1/8	11/16	9/32	Wires	Susp	RCL/130.21	X	X	X	Z.123493	
23	700	2.5	350	BW	W	1. 1/8	11/16	9/32	Wires	Susp	RCS/132	X			Z.123396	NS Val Tol
24	750	10	350	BW	W	1. 1/8	11/16	9/32	Wires	Susp	RCS/132		X		Z.123502	NS Val
25	750	10	350	BW	C	1. 1/2	29/32	11/32	Wires	Susp	RCS/132			X	Z.123595	NS Val
26	820	2	350	BW	S	1. 1/2	29/32	11/32	Wires	Susp	RCL/130.21	X	X	X	Z.123513	
27	820	5	350	BW	S	1. 1/2	29/32	11/32	Wires	Susp	RCL/130.21	X	X	X	Z.123514	
28	820	10	350	BW	S	1. 1/2	29/32	11/32	Wires	Susp	RCL/130.21	X	X	X	Z.123515	
29	874	5	350	BW	S	1. 1/2	29/32	11/32	Wires	Susp	RCS/132		X		Z.123631	NS Val
30																
31																
32																
33																
34																
35																
36																
37																
38																
39																
40																

* Indicates Non-Preferred Style

12B/05

LINE No. (a)	CAPACITY		WORKING VOLTAGE (D.C.) at 70°C. (d)	STYLE		BODY DIMENSIONS (max) in inches			TERMS. (n)	MTG. (p)	INTER-SERVICE SPECIFICATION (q)	SERVICE USERS			INTER-SERVICE REFERENCE NUMBER (u)	REMARKS (v)
	NOM. μfds. (b)	TOL. ±% (c)		PATT. (h)	SIZE (j)	L (k)	B (l)	T (m)				ADM. (r)	W.O. (s)	A M. (t)		
01	.001	1	350	BW	S	1. 1/2	29/32	11/32	Wires	Susp	RCS/132			X	Z.124001	NS Tol
02	.001	2	350	BW	W*	1. 1/8	11/16	9/32	Wires	Susp	RCS/132		X		Z.124004	NS
03	.001	2	350	BW	S	1. 1/2	29/32	11/32	Wires	Susp	RCL/130.21	X	X	X	Z.124003	
04	.001	5	350	BW	W*	1. 1/8	11/16	9/32	Wires	Susp	RCS/132	X			Z.124600	NS
05	.001	5	350	BT*	W*	1. 1/8	11/16	9/32	Tags	Susp	RCS/132	X			Z.124008	NS
06	.001	5	350	BW	S	1. 1/2	29/32	11/32	Wires	Susp	RCL/130.21	X	X	X	Z.124445	
07	.001	5	700	BT*	S	1. 1/2	29/32	11/32	Tags	Susp	RCS/132			X	Z.124627	NS Wkg V
08	.001	10	350	BW	W*	1. 1/8	11/16	9/32	Wires	Susp	RCS/132	X	X		Z.124601	NS
09	.001	10	350	BW	S	1. 1/2	29/32	11/32	Wires	Susp	RCL/130.21	X	X	X	Z.124446	
10	.001	20	350	BW	S	1. 1/2	29/32	11/32	Wires	Susp	RCS/132		X		Z.124450	NS Tol
11	.001004	5	350	BW	S	1. 1/2	29/32	11/32	Wires	Susp	RCS/132		X		Z.124497	NS Val
12	.0012	2	350	BW	S	1. 1/2	29/32	11/32	Wires	Susp	RCL/130.21	X	X	X	Z.124088	
13	.0012	5	350	BW	S	1. 1/2	29/32	11/32	Wires	Susp	RCL/130.21	X	X	X	Z.124089	
14	.0012	10	350	BW	S	1. 1/2	29/32	11/32	Wires	Susp	RCL/130.21	X	X	X	Z.124091	
15	.0013	1	350	BW	S	1. 1/2	29/32	11/32	Wires	Susp	RCS/132			X	Z.124485	NS Val Tol
16	.0015	2	350	BW	W*	1. 1/8	11/16	9/32	Wires	Susp	RCS/132		X		Z.124104	NS
17	.0015	2	350	BW	S	1. 1/2	29/32	11/32	Wires	Susp	RCL/130.21	X	X	X	Z.124106	
18	.0015	5	350	BW	S	1. 1/2	29/32	11/32	Wires	Susp	RCL/130.21	X	X	X	Z.124447	
19	.0015	10	350	BW	S	1. 1/2	29/32	11/32	Wires	Susp	RCL/130.21	X	X	X	Z.124110	
20	.0018	2	350	BW	S	1. 1/2	29/32	11/32	Wires	Susp	RCL/130.21	X	X	X	Z.124120	
21	.0018	5	350	BW	S	1. 1/2	29/32	11/32	Wires	Susp	RCL/130.21	X	X	X	Z.124124	
22	.0018	10	350	BW	S	1. 1/2	29/32	11/32	Wires	Susp	RCL/130.21	X	X	X	Z.124125	
23	.002	5	350	BT*	W*	1. 1/8	11/16	9/32	Tags	Susp	RCS/132	X			Z.124136	NS Val
24	.002	5	350	BW	S	1. 1/2	29/32	11/32	Wires	Susp	RCS/132		X		Z.124138	NS Val
25	.002	5	350	BT*	S	1. 1/2	29/32	11/32	Tags	Susp	RCS/132			X	Z.124628	NS Val
26	.0022	2	350	BW	S	1. 1/2	29/32	11/32	Wires	Susp	RCL/130.21	X	X	X	Z.124191	
27	.0022	5	350	BW	S	1. 1/2	29/32	11/32	Wires	Susp	RCL/130.21	X	X	X	Z.124192	
28	.0022	10	350	BW	S	1. 1/2	29/32	11/32	Wires	Susp	RCL/130.21	X	X	X	Z.124193	
29	.0027	2	350	BW	S	1. 1/2	29/32	11/32	Wires	Susp	RCL/130.21	X	X	X	Z.124213	
30	.0027	5	350	BW	S	1. 1/2	29/32	11/32	Wires	Susp	RCL/130.21	X	X	X	Z.124214	
31	.0027	10	350	BW	S	1. 1/2	29/32	11/32	Wires	Susp	RCL/130.21	X	X	X	Z.124215	
32	.0031	2	350	BW	S	1. 1/2	29/32	11/32	Wires	Susp	RCS/132		X		Z.124616	NS Val
33	.0031	5	350	BW	S	1. 1/2	29/32	11/32	Wires	Susp	RCS/132		X		Z.124498	NS Val
34	.0033	2	350	BW	S	1. 1/2	29/32	11/32	Wires	Susp	RCL/130.21	X	X	X	Z.124253	
35	.0033	5	350	BW	S	1. 1/2	29/32	11/32	Wires	Susp	RCL/130.21	X	X	X	Z.124254	
36	.0033	10	350	BW	S	1. 1/2	29/32	11/32	Wires	Susp	RCL/130.21	X	X	X	Z.124255	
37	.0033	20	350	BW	S	1. 1/2	29/32	11/32	Wires	Susp	RCS/132		X		Z.124451	NS Tol
38	.0039	2	350	BW	S	1. 1/2	29/32	11/32	Wires	Susp	RCL/130.21	X	X	X	Z.124264	
39	.0039	5	350	BW	S	1. 1/2	29/32	11/32	Wires	Susp	RCL/130.21	X	X	X	Z.124265	
40	.0039	10	350	BW	S	1. 1/2	29/32	11/32	Wires	Susp	RCL/130.21	X	X	X	Z.124266	

* Indicates Non-Preferred Style

RCC/I

CAPACITORS FIXED, MICA DIELECTRIC (METALLISED)
Rectangular — Moulded.

GROUP 12
Section B
Reissued April 1949

LINE No. (a)	CAPACITY		WORKING VOLTAGE (D.C.) at 70°C. (d)	STYLE		BODY DIMENSIONS (max) in inches			TERMS. (n)	MTG. (p)	INTER-SERVICE SPECIFICATION (q)	SERVICE USERS			INTER-SERVICE REFERENCE NUMBER (u)	REMARKS (v)
	NOM. μfds. (b)	TOL. ± % (c)		PATT. (h)	SIZE (j)	L (k)	B (l)	T (m)				ADM. (r)	W.O. (s)	A.M. (t)		
												(r)	(s)	(t)		
01	.0047	2	350	BW	S	1. 1/2	29/32	11/32	Wires	Susp	RCL/130.21	X	X	X	Z.124290	
02	.0047	5	350	BW	S	1. 1/2	29/32	11/32	Wires	Susp	RCL/130.21	X	X	X	Z.124291	
03	.0047	10	350	JT	S	1. 1/2	29/32	11/32	Wires	Susp	RCL/130.21	X	X	X	Z.124292	
04	.005	5	350	BT*	W*	1. 1/8	11/16	9/32	Tags	Susp	RCS/132	X			Z.124294	NS Val Tol
05	.005	5	350	BW	S	1. 1/2	29/32	11/32	Wires	Susp	RCS/132		X		Z.124296	NS Val
06	.0056	2	350	BW	S	1. 1/2	29/32	11/32	Wires	Susp	RCL/130.21	X	X	X	Z.124333	
07	.0056	5	350	BW	S	1. 1/2	29/32	11/32	Wires	Susp	RCL/130.21	X	X	X	Z.124334	
08	.0056	10	350	BW	S	1. 1/2	29/32	11/32	Wires	Susp	RCL/130.21	X	X	X	Z.124335	
09	.006	5	350	BT*	X*	1. 1/2	29/32	9/32	Tags	Susp	RCS/132	X			Z.124338	NS Val
10	.0065	5	350	BW	S	1. 1/2	29/32	11/32	Wires	Susp	RCC/132		X		Z.124499	NS Val
11	.0068	2	350	BW	S	1. 1/2	29/32	11/32	Wires	Susp	RCL/130.21	X	X	X	Z.124352	
12	.0068	5	350	BW	S	1. 1/2	29/32	11/32	Wires	Susp	RCL/130.21	X	X	X	Z.124353	
13	.0068	10	350	BW	S	1. 1/2	29/32	11/32	Wires	Susp	RCL/130.21	X	X	X	Z.124354	
14	.0082	2	350	BW	S	1. 1/2	29/32	11/32	Wires	Susp	RCL/130.21	X	X	X	Z.124366	
15	.0082	5	350	BW	S	1. 1/2	29/32	11/32	Wires	Susp	RCL/130.21	X	X	X	Z.124367	
16	.0082	10	350	BW	S	1. 1/2	29/32	11/32	Wires	Susp	RCL/130.21	X	X	X	Z.124368	
17	.01	2	350	BW	S	1. 1/2	29/32	11/32	Wires	Susp	RCL/130.21	X	X	X	Z.124371	
18	.01	5	350	BW	S	1. 1/2	29/32	11/32	Wires	Susp	RCL/130.21	X	X	X	Z.124375	
19	.01	10	350	BW	S	1. 1/2	29/32	11/32	Wires	Susp	RCL/130.21	X	X	X	Z.124380	
20																
21																
22																
23																
24																
25																
26																
27																
28																
29																
30																
31																
32																
33																
34																
35																
36																
37																
38																
39																
40																

* Indicates Non-Preferred Style

RCC/I

CAPACITORS FIXED, MICA DIELECTRIC (METALLISED)
Rectangular — Moulded.

12B/08

GROUP 12

Section B

Reissued April 1949

LINE No. (a)	CAPACITY		WORKING VOLTAGE (D.C.) at 70°C. (d)	STYLE		BODY DIMENSIONS (max) in inches			TERMS. (n)	MTG. (p)	INTER-SERVICE SPECIFICATION (q)	SERVICE-USERS			INTER-SERVICE REFERENCE NUMBER (u)	REMARKS (v)
	NOM. ufds. (b)	TOL. ± % (c)		PATT. (h)	SIZE (j)	L (k)	B (l)	T (m)				ADM. (r)	W.O. (s)	A.M. (t)		

01
02
03
04
0506
07
08
09
1011
12
13
14
1516
17
18
19
2021
22
23
24
2526
27
28
29
3031
32
33
34
3536
37
38
39
40

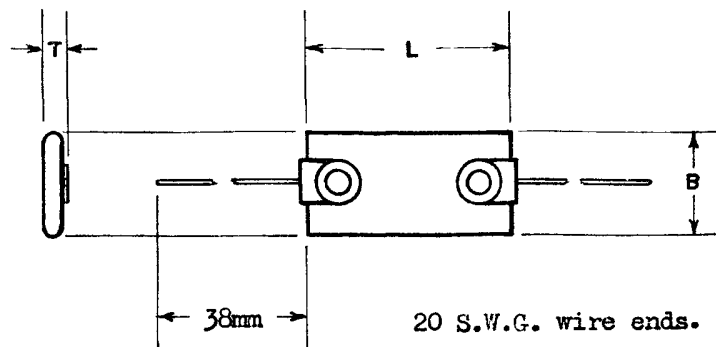
RCC/I

CAPACITORS FIXED, MICA DIELECTRIC (METALLISED)
Rectangular — Wax-covered.

GROUP 12
Section B

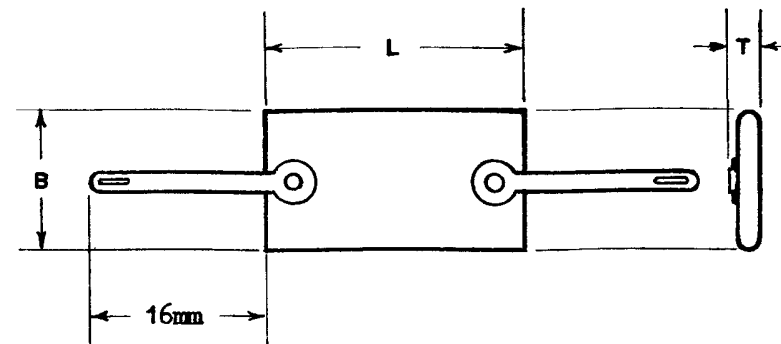
Reissued April 1949

RCL/130.22 and RCL/130.24m



PATTERN HW

Size	Maximum Dimensions in millimeters		
	Length (L)	Breadth (B)	Thickness (T)
1	17	12	6
2	22	12	6
10	19	16	6
11	26	14	6
12	32	20	6
13	37	24	6



PATTERN HT

Size	Maximum Dimensions in millimeters		
	Length (L)	Breadth (B)	Thickness (T)
14	49	25	6

This Page Intentionally Blank

RCC/I

CAPACITORS FIXED, MICA DIELECTRIC (METALLISED)
 Rectangular — Wax-covered. †

GROUP 12
Section B
 Reissued April 1949

LINE No.	CAPACITY		WORKING VOLTAGE (D.C.) at 70°C.†	STYLE		BODY DIMENSIONS (max) in millimetres			TERMS.	MTG.	INTER-SERVICE SPECIFICATION	SERVICE USERS			INTER-SERVICE REFERENCE NUMBER	REMARKS
	NOM.	TOL.		PATT.	SIZE	L	B	T				ADM.	W.O.	A.M.		
	μufds. (b)	±% (c)														
01	5	0.5pf	750	HW	10	19	16	6	Wires	Susp	RCS/132.1			X	Z.125008	NS Val Wkg V
02	5	5	350	HW	1	17	12	6	Wires	Susp	RCL/130.24m				Z.125600	
03	5	1pf	350	HW	1	17	12	6	Wires	Susp	RCS/132.1			X	Z.125876	NS Tol
04	5	10	350	HW	1	17	12	6	Wires	Susp	RCL/130.24m				Z.125601	
05	5	10	750	HW	10	19	16	6	Wires	Susp	RCS/132.1	X			Z.125010	NS Val Wkg V
06	10	5	350	HW	1	17	12	6	Wires	Susp	RCL/130.24m				Z.125602	
07	10	5	350	HW	10	19	16	6	Wires	Susp	RCS/132.1	X			Z.125704	NS Tol
08	10	10	350	HW	1	17	12	6	Wires	Susp	RCL/130.24m				Z.125603	
09	10	10	350	HW	10	19	16	6	Wires	Susp	RCL/130.22	X	X	X	Z.125021	
10	10	10	750	HW	10	19	16	6	Wires	Susp	RCS/132.1	X			Z.125025	NS Wkg V
11	12	10	350	HW	10	19	16	6	Wires	Susp	RCL/130.22	X	X	X	Z.125035	
12	15	5	350	HW	1	17	12	6	Wires	Susp	RCL/130.24m				Z.125604	
13	15	5	350	HW	10	19	16	6	Wires	Susp	RCS/132.1	X			Z.125037	NS Tol
14	15	10	350	HW	1	17	12	6	Wires	Susp	RCL/130.24m				Z.125605	
15	15	10	350	HW	10	19	16	6	Wires	Susp	RCL/130.22	X	X	X	Z.125041	
16	15	10	750	HW	10	19	16	6	Wires	Susp	RCS/132.1	X			Z.125043	NS Wkg V
17	18	10	350	HW	10	19	16	6	Wires	Susp	RCL/130.22	X	X	X	Z.125047	
18	20	5	350	HW	10	19	16	6	Wires	Susp	RCS/132.1	X			Z.125053	NS Val
19	20	10	350	HW	10	19	16	6	Wires	Susp	RCS/132.1		X		Z.125599	NS Val
20	20	10	350	HW	11*	26	14	6	Wires	Susp	RCS/132.1	X			Z.125717	NS Val
21	20	10	750	HW	10	19	16	6	Wires	Susp	RCS/132.1	X			Z.125062	NS Val Wkg V
22	22	5	350	HW	1	17	12	6	Wires	Susp	RCL/130.24m				Z.125606	
23	22	5	350	HW	10	19	16	6	Wires	Susp	RCL/130.22	X	X	X	Z.125065	
24	22	10	350	HW	1	17	12	6	Wires	Susp	RCL/130.24m				Z.125607	
25	22	10	350	HW	10	19	16	6	Wires	Susp	RCL/130.22	X	X	X	Z.125068	
26	23	1pf	350	HW	1	17	12	6	Wires	Susp	RCS/132.1			X	Z.125878	NS Val Tol
27	25	4	350	HW	10	19	16	6	Wires	Susp	RCS/132.1	X			Z.125078	NS Val Tol
28	25	10	750	HW	10	19	16	6	Wires	Susp	RCS/132.1	X			Z.125086	NS Val Wkg V
29	27	5	350	HW	10	19	16	6	Wires	Susp	RCL/130.22	X	X		Z.125089	
30	27	5	350	HW	11	26	14	6	Wires	Susp	RCL/130.22	X	X	X	Z.125090	
31	27	10	350	HW	10	19	16	6	Wires	Susp	RCL/130.22	X	X		Z.125092	
32	27	10	350	HW	11	26	14	6	Wires	Susp	RCL/130.22	X	X	X	Z.125093	
33	30	1pf	350	HW	10	19	16	6	Wires	Susp	RCS/132.1	X			Z.125095	NS Val Tol
34	30	10	350	HW	11	26	14	6	Wires	Susp	RCS/132.1	X			Z.125729	NS Val
35	33	5	350	HW	1	17	12	6	Wires	Susp	RCL/130.24m				Z.125608	
36	33	5	350	HW	10	19	16	6	Wires	Susp	RCL/130.22	X	X		Z.125109	
37	33	5	350	HW	11	26	14	6	Wires	Susp	RCL/130.22	X	X	X	Z.125110	
38	33	10	350	HW	1	17	12	6	Wires	Susp	RCL/130.24m				Z.125609	
39	33	10	350	HW	10	19	16	6	Wires	Susp	RCL/130.22	X	X	X	Z.125112	
40	33	10	350	HW	11	26	14	6	Wires	Susp	RCL/130.22	X	X	X	Z.125113	

* Indicates Non-Preferred Style

† Max Wkg Temp not to exceed +60°C

12B/23

CAPACITORS FIXED. MICA DIELECTRIC (METALLISED)
Rectangular — Wax-covered. †

LINE No. (a)	CAPACITY		WORKING VOLTAGE (D.C.) at 70°C. † (d)	STYLE		BODY DIMENSIONS (max) in millimetres			TERMS. (n)	MTG. (o)	INTER-SERVICE SPECIFICATION (q)	SERVICE USERS			INTER-SERVICE REFERENCE NUMBER (u)	REMARKS (v)
	NOM. µufds. (b)	TOL. ± % (c)		PATT. (h)	SIZE (j)	L (k)	B (l)	T (m)				ADM. (r)	W.O. (s)	A.M. (t)		
01	39	5	350	HW	10	19	16	6	Wires	Susp	RCL/130.22		X		Z.125123	
02	39	5	350	HW	11	26	14	6	Wires	Susp	RCL/130.22	X	X	X	Z.125124	
03	39	10	350	HW	10	19	16	6	Wires	Susp	RCL/130.22	X	X		Z.125125	
04	39	10	350	HW	11	26	14	6	Wires	Susp	RCL/130.22	X	X	X	Z.125126	
05	40	2	350	HW	10	19	16	6	Wires	Susp	RCS/132.1	X			Z.125128	NS Val Tol
06	47	2	350	HW	1	17	12	6	Wires	Susp	RCL/130.24µm				Z.125610	
07	47	5	350	HW	1	17	12	6	Wires	Susp	RCL/130.24µm				Z.125611	
08	47	5	350	HW	10	19	16	6	Wires	Susp	RCL/130.22	X	X		Z.125141	
09	47	5	350	HW	11	26	14	6	Wires	Susp	RCL/130.22	X	X	X	Z.125142	
10	47	10	350	HW	1	17	12	6	Wires	Susp	RCL/130.24µm				Z.125612	
11	47	10	350	HW	10	19	16	6	Wires	Susp	RCL/130.22	X	X		Z.125145	
12	47	10	350	HW	11	26	14	6	Wires	Susp	RCL/130.22	X	X	X	Z.125146	
13	50	1	750	HW	10	19	16	6	Wires	Susp	RCS/132.1	X			Z.125148	NS Val Tol Wkg V
14	50	2	350	HW	10	19	16	6	Wires	Susp	RCS/132.1	X			Z.125150	NS Val Tol
15	50	5	350	HW	11	26	14	6	Wires	Susp	RCS/132.1		X		Z.125743	NS Val
16	50	5	750	HW	11	26	14	6	Wires	Susp	RCS/132.1	X			Z.125156	NS Val Wkg V
17																
18	50	10	350	HW	11	26	14	6	Wires	Susp	RCS/132.1	X			Z.125744	NS Val
19	50	10	750	HW	11	26	14	6	Wires	Susp	RCS/132.1	X			Z.125163	NS Val Wkg V
20	53	2	350	HW	11	26	14	6	Wires	Susp	RCS/132.1	X			Z.125652	NS Val Tol
21	56	2	350	HW	11	26	14	6	Wires	Susp	RCL/130.22	X	X	X	Z.125172	
22	56	5	350	HW	11	26	14	6	Wires	Susp	RCL/130.22	X	X	X	Z.125173	
23	56	10	350	HW	11	26	14	6	Wires	Susp	RCL/130.22	X	X	X	Z.125174	
24	58	2	350	HW	11	26	14	6	Wires	Susp	RCS/132.1	X			Z.125653	NS Val
25	60	2	350	HW	11	26	14	6	Wires	Susp	RCS/132.1	X			Z.125749	NS Val
26	66	2	350	HW	11	26	14	6	Wires	Susp	RCS/132.1	X			Z.125654	NS Val
27	68	2	350	HW	1	17	12	6	Wires	Susp	RCL/130.24µm				Z.125613	
28	68	2	350	HW	11	26	14	6	Wires	Susp	RCL/130.22	X	X	X	Z.125190	
29	68	5	350	HW	1	17	12	6	Wires	Susp	RCL/130.24µm				Z.125614	
30	68	5	350	HW	11	26	14	6	Wires	Susp	RCL/130.22	X	X	X	Z.125191	
31	68	10	350	HW	1	17	12	6	Wires	Susp	RCL/130.24µm				Z.125615	
32	68	10	350	HW	11	26	14	6	Wires	Susp	RCL/130.22	X	X	X	Z.125192	
33	75	2	350	HW	-	22	10	6	Wires	Susp	RCS/132.1			X	Z.125880	NS Val Size
34	75	2	350	HW	11	26	14	6	Wires	Susp	RCS/132.1	X			Z.125199	NS Val
35	75	5	350	HW	-	22	10	6	Wires	Susp	RCS/132.1			X	Z.125831	NS Val Size
36	75	10	750	HW	11	26	14	6	Wires	Susp	RCS/132.1	X			Z.125208	NS Val Wkg V
37	77	2	350	HW	11	26	14	6	Wires	Susp	RCS/132.1	X			Z.125655	NS Val
38	82	2	350	HW	11	26	14	6	Wires	Susp	RCL/130.22	X	X	X	Z.125214	
39	82	5	350	HW	11	26	14	6	Wires	Susp	RCL/130.22	X	X	X	Z.125215	
40	82	10	350	HW	11	26	14	6	Wires	Susp	RCL/130.22	X	X	X	Z.125216	

* Indicates Non-Preferred Style

† Max Wkg Temp not to exceed +60°C

RCC/1

CAPACITORS FIXED, MICA DIELECTRIC (METALLISED)
 Rectangular — Wax-covered. †

GROUP 12
Section B
 Reissued April 1949

LINE	CAPACITY		WORKING VOLTAGE (D.C.) at 70°C.†	STYLE		BODY DIMENSIONS (max) in millimetres			TERMS.	MTG.	INTER-SERVICE SPECIFICATION	SERVICE USERS			INTER-SERVICE REFERENCE NUMBER	REMARKS	
	NOM.	TOL.		PATT.	SIZE	L	B	T				ADM.	W.O.	A.M.			
	No. (a)	μmfd. (b)		±% (c)	(d)	(h)	(i)	(k)				(l)	(m)	(n)			(o)
01	85	2	350	HW	11	26	14	6	Wires	Susp	RCS/132.1	X	X		Z.125656	NS Val	
02	100	1	350	HW	10*	19	16	6	Wires	Susp	RCS/132.1	X			Z.125227	NS Tol	
03	100	2	350	HW	1	17	12	6	Wires	Susp	RCL/130.24μ				Z.125616		
04	100	2	350	HW	11	26	14	6	Wires	Susp	RCL/130.22	X	X	X	Z.125232		
05	100	2	350	HW	-	27	15	6	Wires	Susp	RCS/132.1			X	Z.125882	NS size	
06	100	5	350	HW	1	17	12	6	Wires	Susp	RCL/130.24μ				Z.125617		
07	100	5	350	HW	11	26	14	6	Wires	Susp	RCL/130.22	X	X	X	Z.125243		
08	100	10	350	HW	1	17	12	6	Wires	Susp	RCL/130.24μ				Z.125618		
09	100	10	350	HW	11	26	14	6	Wires	Susp	RCL/130.22	X	X	X	Z.125245		
10	100	10	750	HW	-	21	18	6	Wires	Susp	RCS/132.1	X			Z.125253	NS Wkg V Size	
11	100	10	750	HW	-	34	14	5	Wires	Susp	RCS/132.1		X		Z.125685	NS Wkg V Size	
12	100	10	2000	HW	13*	37	24	6	Wires	Susp	RCS/132.1	X			Z.125255	NS Wkg V	
13	120	2	350	HW	11	26	14	6	Wires	Susp	RCL/130.22	X	X		Z.125265		
14	120	2	350	HW	12	32	20	6	Wires	Susp	RCL/130.22	X	X	X	Z.125266		
15	120	5	350	HW	11	26	14	6	Wires	Susp	RCL/130.22	X	X		Z.125269		
16	120	5	350	HW	12	32	20	6	Wires	Susp	RCL/130.22	X	X	X	Z.125270		
17	120	10	350	HW	11	26	14	6	Wires	Susp	RCL/130.22	X	X		Z.125273		
18	120	10	350	HW	12	32	20	6	Wires	Susp	RCL/130.22	X	X	X	Z.125274		
19	125	2	350	HW	11	26	14	6	Wires	Susp	RCS/132.1	X			Z.125657	NS Val	
20	130	2	350	HW	11	26	14	6	Wires	Susp	RCS/132.1	X			Z.125770	NS Val	
21	135	2	350	HW	11	26	14	6	Wires	Susp	RCS/132.1	X			Z.125283	NS Val	
22	145	1	350	HW	11	26	14	6	Wires	Susp	RCS/132.1	X			Z.125290	NS Val Tol	
23	150	2	350	HW	11	26	14	6	Wires	Susp	RCL/130.22	X	X	X	Z.125295		
24	150	2	350	HW	12	32	20	6	Wires	Susp	RCL/130.22	X	X	X	Z.125296		
25	150	5	350	HW	11	26	14	6	Wires	Susp	RCL/130.22	X	X		Z.125303		
26	150	5	350	HW	12	32	20	6	Wires	Susp	RCL/130.22	X	X	X	Z.125304		
27	150	10	350	HW	11	26	14	6	Wires	Susp	RCL/130.22	X	X		Z.125310		
28	150	10	350	HW	12	32	20	6	Wires	Susp	RCL/130.22	X	X	X	Z.125311		
29	150	10	750	HW	-	21	18	6	Wires	Susp	RCS/132.1	X			Z.125314	NS Wkg V Size	
30	170	2	350	HW	11	26	14	6	Wires	Susp	RCS/132.1	X			Z.125658	NS Val	
31	175	2	350	HW	11	26	14	6	Wires	Susp	RCS/132.1	X			Z.125321	NS Val	
32	175	10	750	HW	-	21	18	6	Wires	Susp	RCS/132.1	X			Z.125324	NS Val Wkg V Size	
33	180	1	350	HW	11	26	14	6	Wires	Susp	RCS/132.1	X			Z.125325	NS Tol	
34	180	2	350	HW	11	26	14	6	Wires	Susp	RCL/130.22	X	X		Z.125327		
35	180	2	350	HW	12	32	20	6	Wires	Susp	RCL/130.22	X	X	X	Z.125328		
36	180	5	350	HW	11	26	14	6	Wires	Susp	RCL/130.22	X	X	X	Z.125331		
37	180	5	350	HW	12	32	20	6	Wires	Susp	RCL/130.22	X	X	X	Z.125332		
38	180	10	350	HW	11	26	14	6	Wires	Susp	RCL/130.22	X	X		Z.125333		
39	180	10	350	HW	12	32	20	6	Wires	Susp	RCL/130.22	X	X	X	Z.125334		
40	191	2	350	HW	11*	26	14	6	Wires	Susp	RCS/132.1	X			Z.125659	NS Val	

* Indicates Non-Preferred Style

† Max Wkg Temp not to exceed +60°C

12B/25

RCC/1

CAPACITORS FIXED, MICA DIELECTRIC (METALLISED)
 Rectangular — Wax-covered. †

12B/26

GROUP 12
Section B

Reissued April 1949

LINE No. (a)	CAPACITY		WORKING VOLTAGE (D.C.) at 70°C. † (d)	STYLE		BODY DIMENSIONS (max) in millimetres			TERMS. (n)	MTG. (o)	INTER-SERVICE SPECIFICATION (p)	SERVICE USERS			INTER-SERVICE REFERENCE NUMBER (u)	REMARKS (v)
	NOM. µmfd. (b)	TOL. ± % (c)		PATT. (h)	SIZE (j)	L (k)	B (l)	T (m)				ADM. (r)	W.O. (s)	A.M. (t)		
01																
02	200	5	350	HW	13	37	24	6	Wires	Susp	RCS/132.1		X		Z.125786	NS Val
03	200	5	750	HW	-	30	10	6	Wires	Susp	RCS/132.1			X	Z.125884	NS Val Wkg V Size
04	220	2	350	HW	2	22	12	6	Wires	Susp	RCL/130.24µ	X			Z.125625	
05	220	2	350	HW	12	32	20	6	Wires	Susp	RCL/130.22	X	X		Z.125360	
06	220	2	350	HW	13	37	24	6	Wires	Susp	RCL/130.22	X	X	X	Z.125361	
07	220	5	350	HW	1	17	12	6	Wires	Susp	RCL/130.24µ				Z.125621	
08	220	5	350	HW	2	22	12	6	Wires	Susp	RCL/130.24µ				Z.125620	
09	220	5	350	HW	12	32	20	6	Wires	Susp	RCL/130.22	X	X		Z.125362	
10	220	5	350	HW	13	37	24	6	Wires	Susp	RCL/130.22	X	X	X	Z.125363	
11	220	10	350	HW	1	17	12	6	Wires	Susp	RCL/130.24µ				Z.125622	
12	220	10	350	HW	2	22	12	6	Wires	Susp	RCL/130.24µ				Z.125623	
13	220	10	350	HW	12	32	20	6	Wires	Susp	RCL/130.22	X	X		Z.125365	
14	220	10	350	HW	13	37	24	6	Wires	Susp	RCL/130.22	X	X	X	Z.125366	
15	226	2	350	HW	11 *	26	14	6	Wires	Susp	RCS/132.1	X			Z.125660	NS Val
16	245	2	350	HW	11 *	26	14	6	Wires	Susp	RCS/132.1	X			Z.125661	NS Val
17	250	1	750	HW	12	32	20	6	Wires	Susp	RCS/132.1	X			Z.125377	NS Val Tol Wkg V
18	250	2	350	HW	11 *	26	14	6	Wires	Susp	RCS/132.1	X			Z.125662	NS Val
19	250	2	350	HW	12	32	20	6	Wires	Susp	RCS/132.1	X			Z.125796	NS Val
20	250	10	750	HW	12	32	20	6	Wires	Susp	RCS/132.1	X			Z.125389	NS Val Wkg V
21	270	2	350	HW	12	32	20	6	Wires	Susp	RCL/130.22	X	X		Z.125395	
22	270	2	350	HW	13	37	24	6	Wires	Susp	RCL/130.22	X	X	X	Z.125396	
23	270	5	350	HW	12	32	20	6	Wires	Susp	RCL/130.22	X	X	X	Z.125397	
24	270	5	350	HW	13	37	24	6	Wires	Susp	RCL/130.22	X	X	X	Z.125398	
25	270	10	350	HW	12	32	20	6	Wires	Susp	RCL/130.22	X	X		Z.125399	
26	270	10	350	HW	13	37	24	6	Wires	Susp	RCL/130.22	X	X	X	Z.125400	
27	300	2	350	HW	12	32	20	6	Wires	Susp	RCS/132.1	X			Z.125801	NS Val
28	300	5	350	HW	12	32	20	6	Wires	Susp	RCS/132.1	X			Z.125411	NS Val
29	300	10	750	HW	13	37	24	6	Wires	Susp	RCS/132.1	X			Z.125420	NS Val Wkg V
30	320	2	350	HW	11 *	26	14	6	Wires	Susp	RCS/132.1	X			Z.125663	NS Val
31	330	2	350	HW	2	22	12	6	Wires	Susp	RCL/130.24µ				Z.125624	
32	330	2	350	HW	12	32	20	6	Wires	Susp	RCL/130.22	X	X	X	Z.125425	
33	330	2	350	HW	13	37	24	6	Wires	Susp	RCL/130.22	X	X	X	Z.125426	
34	330	5	350	HW	1	17	12	6	Wires	Susp	RCL/130.24µ				Z.125627	
35	330	5	350	HW	2	22	12	6	Wires	Susp	RCL/130.24µ				Z.125626	
36	330	5	350	HW	12	32	20	6	Wires	Susp	RCL/130.22	X	X		Z.125427	
37	330	5	350	HW	13	37	24	6	Wires	Susp	RCL/130.22	X	X	X	Z.125428	
38	330	10	350	HW	1	17	12	6	Wires	Susp	RCL/130.24µ				Z.125628	
39	330	10	350	HW	2	22	12	6	Wires	Susp	RCL/130.24µ				Z.125629	
40	330	10	350	HW	12	32	20	6	Wires	Susp	RCL/130.22	X	X		Z.125430	

* Indicates Non-Preferred Style

† Max Wkg Temp not to exceed +60°C

RCC/1

CAPACITORS FIXED, MICA DIELECTRIC (METALLISED)
 Rectangular — Wax-covered. †

GROUP 12
 Section B

Reissued April 1949

LINE No. (a)	CAPACITY		WORKING VOLTAGE (D.C.) at 70°C. † (d)	STYLE		BODY DIMENSIONS (max) in millimetres			TERMS. (n)	MTG. (o)	INTER-SERVICE SPECIFICATION (q)	SERVICE USERS			INTER-SERVICE REFERENCE NUMBER (u)	REMARKS (v)
	NOM. µufds. (b)	TOL. ± % (c)		PATT. (h)	SIZE (j)	L (k)	B (l)	T (m)				ADM. (r)	W.O. (s)	A.M. (t)		
01	330	10	350	HW	13	37	24	6	Wires	Susp	RCL/130.22	X	X	X	Z.125431	
02	350	5	350	HW	10*	19	16	6	Wires	Susp	RCS/132.1		X		Z.125686	NS Val
03	350	5	350	HW	-	30	10	6	Wires	Susp	RCS/132.1			X	Z.125885	NS Val Size
04	390	2	350	HW	12	32	20	6	Wires	Susp	RCL/130.22	X	X		Z.125448	
05	390	2	350	HW	13	37	24	6	Wires	Susp	RCL/130.22	X	X	X	Z.125449	
06	390	5	350	HW	12	32	20	6	Wires	Susp	RCL/130.22	X	X		Z.125450	
07	390	5	350	HW	13	37	24	6	Wires	Susp	RCL/130.22	X	X	X	Z.125451	
08	390	10	350	HW	12	32	20	6	Wires	Susp	RCL/130.22	X	X		Z.125452	
09	390	10	350	HW	13	37	24	6	Wires	Susp	RCL/130.22	X	X	X	Z.125453	
10	450	5	350	HW	12	32	20	6	Wires	Susp	RCS/132.1	X			Z.125664	NS Val
11	470	2	350	HW	2	22	12	6	Wires	Susp	RCL/130.24mm	X			Z.125639	
12	470	2	350	HW	12	32	20	6	Wires	Susp	RCL/130.22	X	X	X	Z.125474	
13	470	2	350	HW	13	37	24	6	Wires	Susp	RCL/130.22	X	X	X	Z.125475	
14	470	5	350	HW	1	17	12	6	Wires	Susp	RCL/130.24mm				Z.125630	
15	470	5	350	HW	2	22	12	6	Wires	Susp	RCL/130.24mm	X			Z.125665	
16	470	5	350	HW	12	32	20	6	Wires	Susp	RCL/130.22	X	X		Z.125476	
17	470	5	350	HW	13	37	24	6	Wires	Susp	RCL/130.22	X	X	X	Z.125477	
18	470	10	350	HW	1	17	12	6	Wires	Susp	RCL/130.24mm				Z.125631	
19	470	10	350	HW	2	22	12	6	Wires	Susp	RCL/130.24mm				Z.125632	
20	470	10	350	HW	12	32	20	6	Wires	Susp	RCL/130.22	X	X		Z.125479	
21	470	10	350	HW	13	37	24	6	Wires	Susp	RCL/130.22	X	X	X	Z.125480	
22	500	1	350	HW	12	32	20	6	Wires	Susp	RCS/132.1	X			Z.125487	NS Val Tol
23	500	1	750	HW	12	32	20	6	Wires	Susp	RCS/132.1	X			Z.125490	NS Val Tol Wkg V
24	500	5	350	HW	12	32	20	6	Wires	Susp	RCS/132.1	X			Z.125827	NS Val
25	500	5	350	HW	13	37	24	6	Wires	Susp	RCS/132.1		X		Z.125828	NS Val
26	500	10	350	HW	13	37	24	6	Wires	Susp	RCS/132.1	X			Z.125507	NS Val
27	500	10	750	HW	13	37	24	6	Wires	Susp	RCS/132.1	X			Z.125514	NS Val Wkg V
28	500	15	750	HW	12	32	20	6	Wires	Susp	RCS/132.1			X	Z.125886	NS Val Tol Wkg V
29	560	2	350	HW	12	32	20	6	Wires	Susp	RCL/130.22	X	X		Z.125522	
30	560	2	350	HW	13	37	24	6	Wires	Susp	RCL/130.22	X	X		Z.125523	
31	560	2	350	HT	14	49	25	6	Tags	Susp	RCL/130.22	X	X	X	Z.125524	
32	560	5	350	HW	12	32	20	6	Wires	Susp	RCL/130.22	X	X		Z.125525	
33	560	5	350	HW	13	37	24	6	Wires	Susp	RCL/130.22	X	X		Z.125526	
34	560	5	350	HT	14	49	25	6	Tags	Susp	RCL/130.22	X	X	X	Z.125527	
35	560	10	350	HW	12	32	20	6	Wires	Susp	RCL/130.22	X	X	X	Z.125529	
36	560	10	350	HW	13	37	24	6	Wires	Susp	RCL/130.22	X	X		Z.125530	
37	560	10	350	HT	14	49	25	6	Tags	Susp	RCL/130.22	X	X	X	Z.125531	
38	565	1	350	HW	13	37	24	6	Wires	Susp	RCS/132.1	X			Z.125532	NS Val Tol
39	600	1	350	HW	13	37	24	6	Wires	Susp	RCS/132.1	X			Z.125533	NS Val Tol
40	600	5	350	HW	12	32	20	6	Wires	Susp	RCS/132.1	X			Z.125666	NS Val

* Indicates Non-Preferred Style

† Max Wkg Temp not to exceed +60°C

12B/27

RCC/I

CAPACITORS FIXED, MICA DIELECTRIC (METALLISED)
Rectangular — Wax-covered. †

GROUP 12
Section B
Reissued April 1941

LINE No. (a)	CAPACITY		WORKING VOLTAGE (DC.) at 70°C † (d)	STYLE		BODY DIMENSIONS (max) in millimetres			TERMS. (n)	MTG. (o)	INTER-SERVICE SPECIFICATION (q)	SERVICE USERS			INTER-SERVICE REFERENCE NUMBER (u)	REMARKS (v)
	NOM. µufds. (b)	TOL. ± % (c)		PATT (h)	SIZE (j)	L (k)	B (l)	T (m)				ADM. (r)	W.O. (s)	A M. (t)		
01	640	5	350	HW	12	32	20	6	Wires	Susp	RCS/132.1	X			Z.125667	NS Val
02	680	2	350	HW	2	22	12	6	Wires	Susp	RCL/130.24m				Z.125633	
03	680	2	350	HW	12	32	20	6	Wires	Susp	RCL/130.22	X	X		Z.125544	
04	680	2	350	HW	13	37	24	6	Wires	Susp	RCL/130.22	X	X		Z.125545	
05	680	2	350	HT	14	49	25	6	Tags	Susp	RCL/130.22	X	X	X	Z.125546	
06	680	5	350	HW	2	22	12	6	Wires	Susp	RCL/130.24m				Z.125634	
07	680	5	350	HW	12	32	20	6	Wires	Susp	RCL/130.22	X	X		Z.125547	
08	680	5	350	HW	13	37	24	6	Wires	Susp	RCL/130.22	X	X		Z.125548	
09	680	5	350	HT	14	49	25	6	Tags	Susp	RCL/130.22	X	X	X	Z.125549	
10	680	10	350	HW	2	22	12	6	Wires	Susp	RCL/130.24m				Z.125635	
11	680	10	350	HW	12	32	20	6	Wires	Susp	RCL/130.22	X	X		Z.125550	
12	680	10	350	HW	13	37	24	6	Wires	Susp	RCL/130.22	X	X		Z.125551	
13	680	10	350	HT	14	49	25	6	Tags	Susp	RCL/130.22	X	X	X	Z.125552	
14	700	2	350	HW	10*	19	16	6	Wires	Susp	RCS/132.1		X		Z.125687	NS Val
15	740	5	350	HW	10*	19	16	6	Wires	Susp	RCS/132.1		X		Z.125688	NS Val
16	820	2	350	HW	13	37	24	6	Wires	Susp	RCL/130.22	X	X		Z.125580	
17	820	2	350	HT	14	49	25	6	Tags	Susp	RCL/130.22	X	X		Z.125581	
18	820	5	350	HW	13	37	24	6	Wires	Susp	RCL/130.22	X	X		Z.125582	
19	820	5	350	HT	14	49	25	6	Tags	Susp	RCL/130.22	X	X		Z.125583	
20	820	10	350	HW	13	37	24	6	Wires	Susp	RCL/130.22	X	X		Z.125584	
21	820	10	350	HT	14	49	25	6	Tags	Susp	RCL/130.22	X	X		Z.125585	
22																
23																
24																
25																
26																
27																
28																
29																
30																
31																
32																
33																
34																
35																
36																
37																
38																
39																
40																

* Indicates Non-Preferred Style

† Max Wkg Temp not to exceed +60°C

RCC/I

CAPACITORS FIXED, MICA DIELECTRIC (METALLISED)
Rectangular — Wax-covered. †

GROUP 12
Section B

Reissued April 1949

LINE No. (a)	CAPACITY		WORKING VOLTAGE (D.C.) at 70°C. † (d)	STYLE		BODY DIMENSIONS (max) in millimetres			TERMS. (n)	MTG. (o)	INTER-SERVICE SPECIFICATION (q)	SERVICE USERS			INTER-SERVICE REFERENCE NUMBER (u)	REMARKS (v)
	NOM. µfds. (b)	TOL. ± % (c)		PATT. (h)	SIZE (j)	L (k)	B (l)	T (m)				ADM. (r)	W.O. (s)	A.M. (t)		
01	.001	2	350	HW	2	22	12	6	Wires	Susp	RCL/130.24m				Z.126312	
02	.001	2	350	HW	13	37	24	6	Wires	Susp	RCL/130.22	X	X		Z.126010	
03	.001	2	350	HT	14	49	25	6	Tags	Susp	RCL/130.22	X	X		Z.126009	
04	.001	5	350	HW	2	22	12	6	Wires	Susp	RCL/130.24m				Z.126313	
05	.001	5	350	HW	12*	32	20	6	Wires	Susp	RCS/132.1			X	Z.126467	NS
06	.001	5	350	HW	13	37	24	6	Wires	Susp	RCL/130.22	X	X		Z.126018	
07	.001	5	350	HT	14	49	25	6	Tags	Susp	RCL/130.22	X	X		Z.126019	
08	.001	10	350	HW	2	22	12	6	Wires	Susp	RCL/130.24m				Z.126314	
09	.001	10	350	HW	13	37	24	6	Wires	Susp	RCL/130.22	X	X		Z.126028	
10	.001	10	350	HT	14	49	25	6	Tags	Susp	RCL/130.22	X	X	X	Z.126029	
11	.001	10	750	HW	13	37	24	6	Wires	Susp	RCS/132.1	X			Z.126034	NS Wkg V
12	.00105	5	350	HW	12*	32	20	6	Wires	Susp	RCS/132.1	X			Z.126350	NS Val
13	.0011	2	350	HW	13	37	24	6	Wires	Susp	RCS/132.1	X			Z.126045	NS Val
14	.0012	2	350	HW	12*	32	20	6	Wires	Susp	RCS/132.1			X	Z.126468	NS
15	.0012	2	350	HW	13	37	24	6	Wires	Susp	RCL/130.22	X	X		Z.126054	
16	.0012	2	350	HT	14	49	25	6	Tags	Susp	RCL/130.22	X	X		Z.126055	
17	.0012	5	350	HW	13	37	24	6	Wires	Susp	RCL/130.22	X	X		Z.126059	
18	.0012	5	350	HT	14	49	25	6	Tags	Susp	RCL/130.22	X	X		Z.126060	
19	.0012	10	350	HW	13	37	24	6	Wires	Susp	RCL/130.22	X	X		Z.126063	
20	.0012	10	350	HT	14	49	25	6	Tags	Susp	RCL/130.22	X	X		Z.126064	
21	.0013	1	350	HW	-	34	34	5.5	Wires	Susp	RCS/132.1	X			Z.126068	NS Val Tol Size
22	.0015	2	350	HW	12	32	20	6	Wires	Susp	RCL/130.24m				Z.126315	
23	.0015	2	350	HW	13	37	24	6	Wires	Susp	RCL/130.22	X	X		Z.126307	
24	.0015	2	350	HT	14	49	25	6	Tags	Susp	RCL/130.22	X	X		Z.126083	
25	.0015	5	350	HW	2	22	12	6	Wires	Susp	RCL/130.24m				Z.126316	
26	.0015	5	350	HW	12	32	20	6	Wires	Susp	RCL/130.24m				Z.126317	
27	.0015	5	350	HW	13	37	24	6	Wires	Susp	RCL/130.22	X	X		Z.126087	
28	.0015	5	350	HT	14	49	25	6	Tags	Susp	RCL/130.22	X	X		Z.126088	
29	.0015	10	350	HW	2	22	12	6	Wires	Susp	RCL/130.24m				Z.126318	
30	.0015	10	350	HW	12	32	20	6	Wires	Susp	RCL/130.24m				Z.126319	
31	.0015	10	350	HW	13	37	24	6	Wires	Susp	RCL/130.22	X	X		Z.126092	
32	.0015	10	350	HT	14	49	25	6	Tags	Susp	RCL/130.22	X	X		Z.126093	
33	.0016	15	350	HW	12	32	20	6	Wires	Susp	RCS/132.1			X	Z.126308	NS Val Tol
34	.0018	2	350	HW	13	37	24	6	Wires	Susp	RCL/130.22	X	X		Z.126111	
35	.0018	2	350	HT	14	49	25	6	Tags	Susp	RCL/130.22	X	X		Z.126112	
36	.0018	5	350	HW	13	37	24	6	Wires	Susp	RCL/130.22	X	X	X	Z.126114	
37	.0018	5	350	HT	14	49	25	6	Tags	Susp	RCL/130.22	X	X		Z.126115	
38	.0018	10	350	HW	12*	32	20	6	Wires	Susp	RCS/132.1			X	Z.126309	NS
39	.0018	10	350	HW	13	37	24	6	Wires	Susp	RCL/130.22	X	X		Z.126116	
40	.0018	10	350	HT	14	49	25	6	Tags	Susp	RCL/130.22	X	X	X	Z.126117	

* Indicates Non-Preferred Style

† Max Wkg Temp not to exceed +60°C

12B/29

RCC/I

CAPACITORS FIXED, MICA DIELECTRIC (METALLISED)
 Rectangular — Wax-covered. †

GROUP 12
Section B

Reissued April 1949

LINE No. (a)	CAPACITY		WORKING VOLTAGE (D.C.) at 70°C.† (d)	STYLE		BODY DIMENSIONS (max) in millimetres			TERMS. (n)	MTG. (o)	INTER-SERVICE SPECIFICATION (q)	SERVICE USERS			INTER-SERVICE REFERENCE NUMBER (u)	REMARKS (v)
	NOM. µfds. (b)	TOL. ±% (c)		PATT. (h)	SIZE (j)	L (k)	B (l)	T (m)				ADM. (r)	W.O. (s)	A.M. (t)		
01	.0019	2	350	HW	13	37	24	6	Wires	Susp	RCS/132.1	X			Z.126120	NS Val
02	.002	5	350	HW	13	37	24	6	Wires	Susp	RCS/132.1	X			Z.126119	NS Val
03	.0022	1	350	HW	13	37	24	6	Wires	Susp	RCS/132.1	X			Z.126326	NS Tol
04	.0022	2	350	HW	12	32	20	6	Wires	Susp	RCL/130.24m				Z.126320	
05	.0022	2	350	HW	13	37	24	6	Wires	Susp	RCL/130.22	X	X		Z.126143	
06	.0022	2	350	HT	14	49	25	6	Tags	Susp	RCL/130.22	X	X		Z.126144	
07	.0022	5	350	HW	2	22	12	6	Wires	Susp	RCL/130.24m				Z.126321	
08	.0022	5	350	HW	12	32	20	6	Wires	Susp	RCL/130.24m	X			Z.126351	
09	.0022	5	350	HW	13	37	24	6	Wires	Susp	RCL/130.22	X	X		Z.126146	
10	.0022	5	350	HT	14	49	25	6	Tags	Susp	RCL/130.22	X	X		Z.126147	
11	.0022	10	350	HW	2	22	12	6	Wires	Susp	RCL/130.24m				Z.126322	
12	.0022	10	350	HW	12	32	20	6	Wires	Susp	RCL/130.24m				Z.126323	
13	.0022	10	350	HW	13	37	24	6	Wires	Susp	RCL/130.22	X	X		Z.126148	
14	.0022	10	350	HT	14	49	25	6	Tags	Susp	RCL/130.22	X	X		Z.126149	
15	.00221	1	350	HW	13	37	24	6	Wires	Susp	RCS/132.1	X			Z.126306	NS Val Tol
16	.0026	2	350	HW	-	34	34	5.5	Wires	Susp	RCS/132.1	X			Z.126168	NS Val Size
17	.0027	2	350	HW	13	37	24	6	Wires	Susp	RCL/130.22	X	X		Z.126169	
18	.0027	2	350	HT	14	49	25	6	Tags	Susp	RCL/130.22	X	X		Z.126170	
19	.0027	5	350	HW	13	37	24	6	Wires	Susp	RCL/130.22	X	X		Z.126171	
20	.0027	5	350	HT	14	49	25	6	Tags	Susp	RCL/130.22	X	X		Z.126172	
21	.0027	10	350	HW	13	37	24	6	Wires	Susp	RCL/130.22	X	X		Z.126173	
22	.0027	10	350	HT	14	49	25	6	Tags	Susp	RCL/130.22	X	X		Z.126174	
23	.003	5	350	HW	-	46	18	6	Wires	Susp	RCS/132.1			X	Z.126470	NS Val Size
24	.0033	2	350	HW	13	37	24	6	Wires	Susp	RCL/130.22	X	X		Z.126193	
25	.0033	2	350	HT	14	49	25	6	Tags	Susp	RCL/130.22	X	X		Z.126194	
26	.0033	5	350	HW	13	37	24	6	Wires	Susp	RCL/130.22	X	X		Z.126195	
27	.0033	5	350	HT	14	49	25	6	Tags	Susp	RCL/130.22	X	X		Z.126196	
28	.0033	10	350	HW	13	37	24	6	Wires	Susp	RCL/130.22	X	X		Z.126197	
29	.0033	10	350	HT	14	49	25	6	Tags	Susp	RCL/130.22	X	X		Z.126198	
30	.0035	2	350	HT	14	49	25	6	Tags	Susp	RCS/132.1	X			Z.126335	NS Val
31	.0035	5	350	HT	14	49	25	6	Tags	Susp	RCS/132.1	X			Z.126201	NS Val
32	.0039	2	350	HW	13	37	24	6	Wires	Susp	RCL/130.22	X	X		Z.126204	
33	.0039	2	350	HT	14	49	25	6	Tags	Susp	RCL/130.22	X	X		Z.126205	
34	.0039	5	350	HW	13	37	24	6	Wires	Susp	RCL/130.22	X	X	X	Z.126206	
35	.0039	5	350	HT	14	49	25	6	Tags	Susp	RCL/130.22	X	X	X	Z.126207	
36	.0039	10	350	HW	13	37	24	6	Wires	Susp	RCL/130.22	X	X		Z.126208	
37	.0039	10	350	HT	14	49	25	6	Tags	Susp	RCL/130.22	X	X		Z.126209	
38	.004	1	350	HW	13	37	24	6	Wires	Susp	RCS/132.1	X			Z.126438	NS Val Tol
39	.0043	2	350	HW	-	34	34	5.5	Wires	Susp	RCS/132.1	X			Z.126222	NS Val Size
40	.0047	2	350	HW	13	37	24	6	Wires	Susp	RCL/130.22	X	X		Z.126225	

* Indicates Non-Preferred Style

† Max Avg Temp not to exceed +60°C

RCC/I

CAPACITORS FIXED, MICA DIELECTRIC (METALLISED)
 Rectangular — Wax-covered. †

GROUP 12
Section B

Reissued April 1949

LINE No. (a)	CAPACITY		WORKING VOLTAGE (D.C.) at 70°C. † (d)	STYLE		BODY DIMENSIONS (max) in millimetres			TERMS. (n)	MTG. (o)	INTER-SERVICE SPECIFICATION (q)	SERVICE USERS			INTER-SERVICE REFERENCE NUMBER (u)	REMARKS (v)
	NOM. µfcs. (b)	TOL. ± % (c)		PATT. (h)	SIZE (i)	L (k)	B (l)	T (m)				ADM. (r)	W.O. (s)	A.M. (t)		
01	.0047	2	350	HT	14	49	25	6	Tags	Susp	RGL/130.22	X	X		Z.126226	
02	.0047	5	350	HW	13	37	24	6	Wires	Susp	RGL/130.22	X	Y		Z.126227	
03	.0047	5	350	HT	14	49	25	6	Tags	Susp	RGL/130.22	X	X		Z.126228	
04	.0047	10	350	HW	13	37	24	6	Wires	Susp	RGL/130.22	X	X		Z.126230	
05	.0047	10	350	HT	14	49	25	6	Tags	Susp	RGL/130.22	X	X		Z.126231	
06	.005	5	350	HW	13	37	24	6	Wires	Susp	RCS/132.1	X	X		Z.126444	NS Val
07	.0056	2	350	HW	13	37	24	6	Wires	Susp	RGL/130.22	X	X		Z.126249	
08	.0056	2	350	HT	14	49	25	6	Tags	Susp	RGL/130.22	X	X		Z.126250	
09	.0056	5	350	HW	-	34	34	5.5	Wires	Susp	RCS/132.1	X			Z.126253	NS Size
10	.0056	5	350	HW	13	37	24	6	Wires	Susp	RGL/130.22	X	X		Z.126251	
11	.0056	5	350	HT	14	49	25	6	Tags	Susp	RGL/130.22	X	X	X	Z.126252	
12	.0056	10	350	HW	13	37	24	6	Wires	Susp	RGL/130.22	X	X		Z.126254	
13	.0056	10	350	HT	14	49	25	6	Tags	Susp	RGL/130.22	X	X		Z.126255	
14	.006	2	350	HW	13	37	24	6	Wires	Susp	RCS/132.1	X			Z.126446	NS Val
15	.006	5	750	HT	14	49	25	6	Tags	Susp	RCS/132.1	X			Z.126261	NS Val Wkg V
16	.0065	2	350	HW	13	37	24	6	Wires	Susp	RCS/132.1	X			Z.126264	NS Val
17	.0066	1	350	HW	13	37	24	6	Wires	Susp	RCS/132.1	X			Z.126266	NS Val Tol
18	.0068	2	350	HW	13	37	24	6	Wires	Susp	RGL/130.22	X	X	X	Z.126267	
19	.0068	2	350	HT	14	49	25	6	Tags	Susp	RGL/130.22	X	X		Z.126268	
20	.0068	5	350	HW	13	37	24	6	Wires	Susp	RGL/130.22	X	X		Z.126269	
21	.0068	5	350	HT	14	49	25	6	Tags	Susp	RGL/130.22	X	X		Z.126270	
22	.0068	10	350	HW	13	37	24	6	Wires	Susp	RGL/130.22	X	X		Z.126271	
23	.0068	10	350	HT	14	49	25	6	Tags	Susp	RGL/130.22	X	X		Z.126272	
24	.0069	2.5	350	HW	13	37	24	6	Wires	Susp	RCS/132.1	X			Z.126273	NS Val
25	.0082	2	350	HT	14	49	25	6	Tags	Susp	RGL/130.22	X	X		Z.126284	
26	.0082	5	350	HT	14	49	25	6	Tags	Susp	RGL/130.22	X	X	X	Z.126285	
27	.0082	10	350	HT	14	49	25	6	Tags	Susp	RGL/130.22	X	X		Z.126286	
28	.009	1	350	HW	-	34	34	5.5	Wires	Susp	RCS/132.1	X			Z.126288	NS Val Tol Size
29	.009	5	500	HW	-	34	34	5.5	Wires	Susp	RCS/132.1		X		Z.126363	NS Val Wkg V Size
30	.01	2	350	HT	14	49	25	6	Tags	Susp	RGL/130.22	X	X		Z.126292	
31	.01	5	350	HT	14	49	25	6	Tags	Susp	RGL/130.22	X	X	X	Z.126295	
32	.01	5	750	HT	14	49	25	6	Tags	Susp	RCS/132.1	X			Z.126298	NS Wkg V
33	.01	10	350	HW	-	34	34	5.5	Wires	Susp	RCS/132.1	X			Z.126300	NS Size
34	.01	10	350	HT	14	49	25	6	Tags	Susp	RGL/130.22	X	X		Z.126299	
35	.03	2	350	HT	14	49	25	6	Tags	Susp	RCS/132.1			X	Z.126349	NS Size
36																
37																
38																
39																
40																

* Indicates Non-Preferred Style

† Max Wkg Temp not to exceed +60°C

12B/31

RCC/1

CAPACITORS FIXED, MICA DIELECTRIC (METALLISED)
 Rectangular — Wax-covered.

12B/32

GROUP 2

Section B

Reissued April 1953

LINE No (a)	CAPACITY		WORKING VOLTAGE (D.C.) at 70°C. (d)	STYLE		BODY DIMENSIONS (max) in millimetres			TERMS. (n)	MTG. (p)	INTER-SERVICE SPECIFICATION (q)	SERVICE USERS			INTER-SERVICE REFERENCE NUMBER (u)	REMARKS (v)
	NOM.	TOL.		PATT (h)	SIZE (j)	L (k)	B (l)	T (m)				ADM. (r)	W.O. (s)	A.M. (t)		
	µfds. (b)	± % (c)														

- 01
- 02
- 03
- 04
- 05
- 06
- 07
- 08
- 09
- 10
- 11
- 12
- 13
- 14
- 15
- 16
- 17
- 18
- 19
- 20
- 21
- 22
- 23
- 24
- 25
- 26
- 27
- 28
- 29
- 30
- 31
- 32
- 33
- 34
- 35
- 36
- 37
- 38
- 39
- 40