

The VMARS Archive

VMARS is a not-for-profit organisation specialising in all types of vintage communications electronics. We maintain an archive of documentation to help our members understand, research, repair and enjoy their vintage radio equipment. Access by non-members is extended as a gesture of goodwill, but not as a right.

Rare documents are frequently provided free of charge by VMARS members, and all scanning and document processing is carried out on a voluntary basis. Accordingly, we do not expect others to profit from the hard work of volunteers, who give their time freely without charge.

This is a gentle reminder that the document attached to this notice is provided to you **for your personal use only**. This edition remains copyright of VMARS, and while you may sell or give your copy to someone else, this right does not extend to making further copies of this information, either to give or sell to others. This includes a prohibition on placing it on websites, or printing it for sale at rallies, boot fairs or similar public events. **If our goodwill is abused, then withdrawal of public access to our archive will be the result.**

Please refer anyone else wanting a copy back to VMARS – either to our website at <http://www.vmars.org.uk/> or by email to the Archivist at archivist@vmarsmanuals.co.uk. If you want to know more about our copyright, please see the FAQ below.

FAQ on copyright of VMARS documents

- Q** How can you copyright a document that is already in the public domain?
- A.** *Plainly the original copyright of the content has expired, or we have obtained permission to copy them. What we copyright is our own edition of the document.*
- Q.** Surely your “own edition” is identical to the original document, so cannot be copyrighted?
- A.** *Our editions are **not** identical to the original document. You will find that full advantage has been taken of electronic publishing facilities, so pages are cleaned up where possible (rendering them better than originals in some cases!), and large diagrams are prepared for both on-screen viewing and for easy printing at A4 format.*
- Q.** Why do you not just give your manuals away, as so many do via the internet these days?
- A.** *We do make all our manuals available free of charge (in soft copy) to VMARS members. These members have already covered the costs of running the archive via their subscriptions. The only time members are charged for copies is when they request them on paper, in which case charges are restricted to the cost of paper, ink and postage.*

The VMARS archive is not a “shoe-string” operation. Money is spent on computing facilities to make copies available, and on shipping original documents securely (usually costing several pounds per shipment) to carry out the scanning. As members have already contributed to these costs, it is only reasonable that non-members should do likewise – and thus a very moderate charge is levied for copies provided to non-members. With typical commercial photocopying charges starting at 5 pence per A4 side, it will be evident that paying 4 pence for our equivalent on paper is excellent value (amounts current at Spring 2004). We also think “you get what you pay for” – we invite you to make the comparison and draw your own conclusions!

Despite the above, we will be making copies of essential technical information (circuit diagram, parts list, layout) freely available to all via our website from late 2004 onwards. This will be done to try and encourage and enable the maintenance of our remaining stock of vintage electronic equipment.

Guidance on using this electronic document

Acrobat Reader version

You need to view this document with Acrobat Reader **version 5.0** or later. It is possible that the document might open with an earlier version of the Acrobat Reader (thus allowing you to get this far!), but is also likely that some pages will not be shown correctly. You can upgrade your Acrobat Reader by direct download from the internet at <http://www.adobe.com/products/acrobat/readermain.html> or going to <http://www.adobe.com/> and navigating from there.

Printing the document on A4 paper

You should note first that virtually all original documents are in double-sided format, i.e. printed on both sides of the paper. Accordingly, our copies are similarly double-sided., and the best results are obtained if the document is printed double-sided. You can print out on one side only, but you will find that you get a number of blank sheets (which can just be removed and reused), and where margins vary in width between left-hand and right-hand pages, there is a danger of the text disappearing into the binding of your printed copy.

This document is of fairly simple format in that it can be made to print out using an A4 format printer (this is the common paper size available in UK and Europe, which measures 29.7cm by 21.0cm). By "simple" I mean that there are no large diagrams on fold out sheets, which will require multiple A4 pages to print out at full size.

Original document sizes do vary a lot – from the small manuals, which approximate to A5 size (21.0 x 14.8 cm) up to the now obsolete foolscap size (21.6 x 33.0 cm). US documents tend to use their "letter" size paper (21.6 x 27.9 cm). All these sizes can be printed on A4 paper by simply getting Acrobat to shrink or enlarge the pages as necessary. This is done as follows:

1. Select "File – Print" or click on the printer icon. This will bring up the print dialog box.
2. Select the correct printer if necessary.
3. Select the pages you want to print – even if you want to print all of the document, you will probably not want to print this notice and help page, so start the printing at page 3.
4. In the "Page Handling" area, next to "Page Scaling", select "Fit to paper". The press "OK"

Printing the document on an US Letter format printer

Since A4 and US Letter sizes are similar, it is expected that this document should print satisfactorily on the latter format paper. This has not been tested however, and is not guaranteed. Follow the steps as for A4 printing, and make doubly sure that "Fit to paper" is selected (step 4).

Any other problems?

Please get in touch with me at archivist@vmarsmanuals.co.uk.

Richard Hankins, VMARS Archivist, Summer 2004

The information given in this document is not to be communicated, either directly or indirectly, to the Press or to any person not authorized to receive it.

CONDITIONS OF RELEASE

(Applicable to copies supplied with Ministry of Defence approval to Commonwealth and Foreign Governments)

1. This document contains classified UK information
2. This information is disclosed only for official use by the recipient Government and (if so agreed by HM Government) such of its contractors, under seal of secrecy, as may be engaged on a defence project. Disclosure or release to any other Government, national of another country, any unauthorized person, the Press, or in any other way would be a breach of the conditions under which the document is issued.
3. This information is to be safeguarded under rules designed to give the same standard of security as those maintained by HM Government in the UK.

RECEIVER, RADIO, EDDYSTONE, 730/4

TECHNICAL HANDBOOK - MISCELLANEOUS INSTRUCTION

SUB-TITLE: 750mA fuses

Note: This Issue 2, Page 1, supersedes Issue 1, Page 1, dated 6 Jun 56.

SUMMARY

1. When this radio set (Z1/5820-99-420-7911) is initially switched on from cold, or switched on at any time up to one minute after being switched off, one or both of the fuses have been found to blow, although the eventual steady current consumption of the set is less than 750mA. This is due to momentary current surges in excess of the capacity of the fuse.

ACTION

2. When a fuse failure occurs it should be replaced by Fuse, cartridge, 750mA, slow blow (X2/5920-99-940-2515).

T/60922/1 (TELS)

END

R E S T R I C T E D

ELECTRICAL AND MECHANICAL
ENGINEERING REGULATIONS
(By Command of the Army Council)

TELECOMMUNICATIONS
E 749 Misc Instr No 2

RECEPTION SET, EDDYSTONE, 730/L, Z4/2A 51262

TECHNICAL HANDBOOK - MISCELLANEOUS INSTRUCTION

Adjustment and lubrication of tuning drive

SUMMARY

1. Cases have been reported of the tuning drive of the Reception set, Eddystone, 730/L, becoming very stiff to operate, with erratic movement of the dial pointer and jerking of the logging scale. This is partly due to the tuning knob spindle seizing in its bush, but it has also been found that the flywheel has a tendency to work loose and to foul the friction drive. This instruction details action to be taken on both these points.

Issue 1, 12 Dec 58

Distribution - Class 1235 Code No 4

Page 1

R E S T R I C T E D

TELECOMMUNICATIONS
E 749 Misc Instr No 2

ELECTRICAL AND MECHANICAL
ENGINEERING REGULATIONS

DETAIL

2. Remove the tuning knob from the spindle. Dismantle the front panel bush. Disengage the friction drive at the rear of the tuning spindle and either remove or manoeuvre the spindle so that the part which is normally within the front panel bush is accessible. Clean the spindle and bush with carbon tetrachloride and lubricate both with Oil, OM13. Reassemble the tuning drive, taking care, when replacing the knob that there is no lateral play in the spindle. Oil, OM13 only, will be used for any subsequent lubrication of the tuning spindle.

3. Check the position of the flywheel and ensure that it cannot foul any other components of the drive and can rotate freely. When this has been done, the grub-screw which secures it to its shaft will be firmly tightened and secured with Varnish, bakelite (HA 11018) or Dulux red. The checks given in this paragraph will be carried out periodically.

57/W/7557

END

R E S T R I C T E D

ELECTRICAL AND MECHANICAL
ENGINEERING REGULATIONS
(By Command of the Army Council)

TELECOMMUNICATIONS
E 749 Misc Instr No 3

RECEPTION SET, EDDYSTONE, 730/4 (Z4/ZA 51262)

TECHNICAL HANDBOOK - MISCELLANEOUS INSTRUCTION

Possible damage to cursor guide

Summary

1. When the Reception set, Eddystone, 730/4 is being replaced in its cabinet, owing to the small clearance between the cabinet and the cursor slide rails, it is possible for the cursor guide to foul the edge of the cabinet and thus be damaged.

Action

2. Before attempting to replace the reception set in its cabinet, first set the dial cursor to mid scale, the cursor guide is then protected by the cursor rail support bracket.

57/W/7557

END

Issue 1, 23 Mar 59

Distribution - Class 1235. Code No 4

Page 1

RECEPTION SET, EDDYSTONE, 730/4 (Z1/Z1. 51262)
TECHNICAL HANDBOOK - MISCELLANEOUS INSTRUCTION

S-meter zero adjustment potentiometer

Summary

1. The S-meter zero adjustment potentiometer R60 of the Reception set, Eddystone, 730/4 is secured to the front panel of the set by a single nut and shakeproof washer. If the nut should work loose and the body of the potentiometer turn the live tag is likely to touch adjacent earthed metal parts, with consequent severe damage to other components due to the passage of excessive current.

Action

2. The fixing nut of potentiometer R60 will be inspected, and tightened if necessary, at frequent intervals. If the nut is found to be loose at any time it will be ascertained after tightening that the tags are not too close to or touching earthed parts of the set.

57/Maint/7557

END

Issue 1, 23 Mar 59

Distribution - Class 1235. Code No 4

Page 1

R E S T R I C T E D

ELECTRICAL AND MECHANICAL
ENGINEERING REGULATIONS
(By Command of the Army Council)

TELECOMMUNICATIONS
E 749 Misc Instr No 5

RECEPTION SET, EDDYSTONE, 730/4, Z4/ZA51262
TECHNICAL HANDBOOK - MISCELLANEOUS INSTRUCTION
Distribution amendment

SUMMARY

1. Regulations covering Reception set, Eddystone, 730/4 will in future be distributed under class 1190.

DETAIL

2. The following Regulations will therefore be amended to read class 1190:-

Tels E 740	Issue 1, dated 23 Sep 58
Tels E 749 Misc Instr No 1	Issue 1, dated 6 Jun 58
Tels E 749 Misc Instr No 2	Issue 1, dated 12 Dec 58
Tels E 749 Misc Instr No 3	Issue 1, dated 23 Mar 59
Tels E 749 Misc Instr No 4	Issue 1, dated 23 Mar 59

3. Units not in possession of the above-mentioned Regulations should demand copies through the usual channels.

57/Maint/7557/EME8

END

Issue 1, 29 Mar 60

Distribution - Class 1190. Code No 4

Page 1

R E S T R I C T E D

ELECTRICAL AND MECHANICAL
ENGINEERING REGULATIONS
(By Command of the Defence Council)

TELECOMMUNICATIONS
E 749 Misc Instr No 6

RECEPTION SET, EDDYSTONE, 730/4 (Z1/ZA 51262)

TECHNICAL HANDBOOK - MISCELLANEOUS INSTRUCTION

Summary

1. Extant regulations in the decade E 740-749 quote the wrong vocabulary section in Part No.

Action

2. Delete 'Z4' and insert 'Z1' in the titles of the following EMERs.

Tels E 740
Tels E 742 Part 1
Tels E 742 Part 2
Tels E 743
Tels E 744 Errata
Tels E 744

Tels E 748
Tels E 749 Misc Instr No 1
Tels E 749 Misc Instr No 2
Tels E 749 Misc Instr No 3
Tels E 749 Misc Instr No 4
Tels E 749 Misc Instr No 5

T/60922/13(TELS)
Issue 1, 8 May 67

END

Page 1

Distribution - Class 335. Code No 4

R E S T R I C T E D

ELECTRICAL AND MECHANICAL
ENGINEERING REGULATIONS
(By Command of the Defence Council)

TELECOMMUNICATIONS
E 749 Misc Instr No 7

RECEPTION SET, EDDYSTONE, 730/4 (Z1/ZA 51262)

TECHNICAL HANDBOOK - MISCELLANEOUS INSTRUCTION

SUB-TITLE: R64, resistor check

SUMMARY

1. Valve, electronic CV4009 may be supplied in lieu of CV454 for use as V12. This may result in B.F.O. instability.
2. R64 (V12 screen resistor) was altered in value during production to preclude this possibility.

Issue 1, 8 May 67

Distribution - Class 335. Code No 3

Page 1

R E S T R I C T E D

TELECOMMUNICATIONS
E 749 Misc Instr No 7

ELECTRICAL AND MECHANICAL
ENGINEERING REGULATIONS

ACTION

3. Check the value of resistor R64 when the opportunity arises.
4. If it is found to be 68k ohms, replace it by resistor 330k ohms, $\pm 10\%$, 1/2 watt, Z/5905-99-022-3102.

I/60922/13(TELS)

END

CONDITIONS OF RELEASE
(Applicable to copies supplied with Ministry of Defence
approval to Commonwealth and Foreign Governments)

1. This information is released by the United Kingdom Government to the recipient Government for Defence purposes only.
2. This information must be accorded the same degree of security protection as that accorded thereto by the United Kingdom Government.
3. This information may be disclosed only within the Defence Department of the recipient Government, except as otherwise authorized by the Ministry of Defence.
4. This information may be subject to privately owned rights.

RECEPTION SET, EDDYSTONE 730/4 (Z1/ZA 51262)

TECHNICAL HANDBOOK - MISCELLANEOUS INSTRUCTION

Note: These Pages 1-2, Issue 2, supersede Pages 1-2, Issue 1, dated Dec 70. Fig 1 has been amended.

SUB-TITLE: D.C. supply plug and socket and a.c. shorting plug - replacement

1. SUMMARY

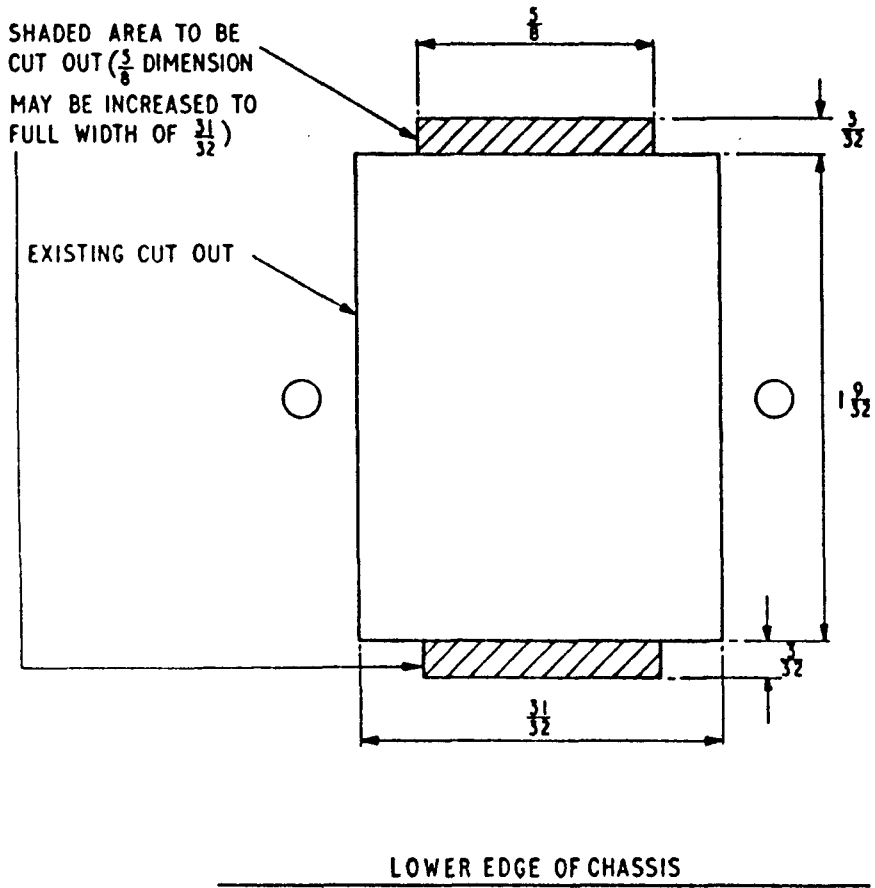
Socket free 12-pole 5935-99-949-3855 (formerly ZA 51508) is no longer obtainable. When present stocks are exhausted the replacement item will be 5935-99-213-3537. However this has a different retainer and necessitates modification to the chassis on which the mating fixed plug is fitted.

2. Plug fitted 12-pole 5935-99-949-3854 (formerly ZA 51509) is also no longer obtainable. The replacement item is 5935-99-972-8225 but this is fitted with a different type of retaining device.

2. ACTION

When either of the above two replacement items are issued in lieu of the original fittings on the above radio receiver, it will be necessary to increase the chassis cut-out as shown in Figure 1 to accept the retaining clip.

3. After chassis modification, the original fixed plug may still be utilized and will accept the replacement free socket but no adaptation can be made to permit the original free socket to be retained by the replacement fixed plug when fitted. If a replacement type fixed plug is fitted it will be necessary to fit also a replacement type free socket.



60920/1

DIMENSIONS IN INCHES

Fig 1 - Chassis cut-out modification

T/60922/D & M (TELS)

END

CONDITIONS OF RELEASE

- | | |
|--|--|
| 1. This information is released by the UK Government to the recipient Government for Defence purposes only. | 3. This information may be disclosed only within the Defence Department of the recipient Government, except as otherwise authorized by Ministry of Defence (Army). |
| 2. This information must be accorded the same degree of security protection as that accorded thereto by the UK Government. | 4. This information may be subject to privately owned rights. |

RECEPTION SET, EDDYSTONE 730/4 (Z1/ZA 51262)

TECHNICAL HANDBOOK - MISCELLANEOUS INSTRUCTION

SUBJECT: Rear panel - protection of plugs

INTRODUCTION

1. If the set is laid on its back the plugs on the rear panel can be damaged. To prevent this a spacer foot is to be fitted at each corner on the back of the case to ensure the plugs are clear of the surface on which the set is laid. The case securing screws have to be replaced by longer ones to accommodate the spacer feet.

ACTION

2. a. The following items will be required:

<u>COSA</u> <u>Sect</u>	<u>Part No</u>	<u>Designation</u>	<u>Qty</u> <u>per eqpt</u>
B2	6920-99-962-1619	Foot	4
G1	5305-99-101-3725	Screw, steel, flat fillister head, slot drive, 2 BA x 1.1/4 in.	4

b. (1) Referring to Tels E 742, Part 1, Fig 3 remove and discard the four existing case-securing screws.

(2) Position one foot at each corner of the case and secure using the new longer screws.

T/60922/D & M

TR/40140

END