



RESTRICTED

The information given in this document is not to be communicated, either directly or indirectly, to the press or to any person not authorized to receive it.

ILLUSTRATED SPARE PARTS LIST
for
RECEIVER, RADIO, TYPE 301

CATALOGUE NUMBER Z1/ZA 53943

CLASS 5820

BY COMMAND OF THE ARMY COUNCIL

A handwritten signature in cursive script, appearing to read "R. E. Day".

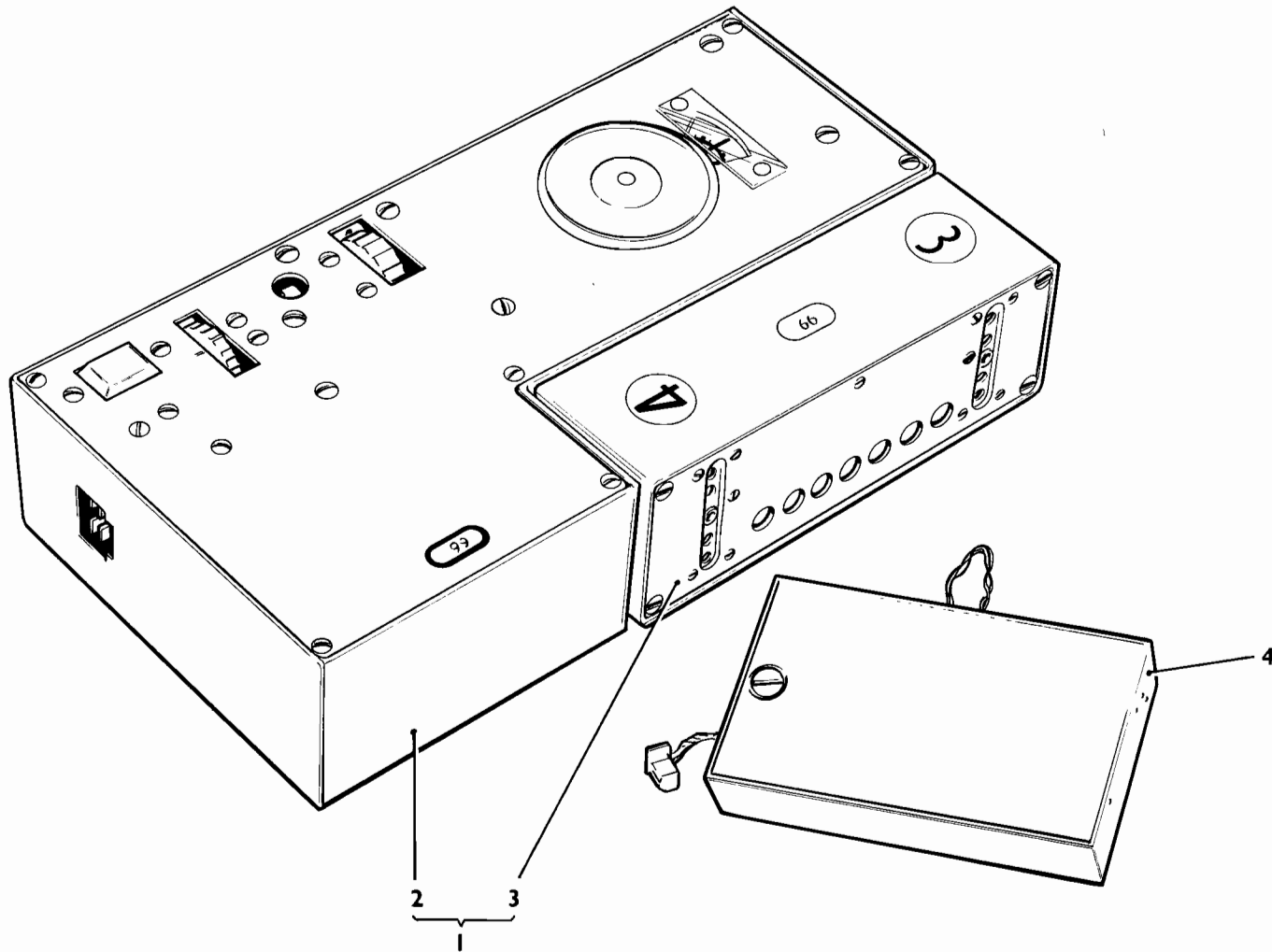
THE WAR OFFICE

19th. AUGUST 1960

ABBREVIATIONS

approx	approximate(s)	M ohms	megohms
BA	British Association Screw Thread	mtg	mounting(s)
contd	continued	no.	number(s)
c/s	cycles per second	nom	nominal
dc	direct current	o/a	over-all
djn	diameter	pF	pico-Farad(s)
dim.	dimension(s)	SBSF	synthetic resin bonded fibre
ft	foot (feet)	SWG	standard wire gauge
h	high (height)	thz	thick(ness)
hex hd	hexagon. head	uF	micro-Farad(s)
id	inside diameter	V	volt(s)
in.	inch(es)	w	wide (width)
k ohms	kilo-ohms	wkg	working
lg	long (length)		

A

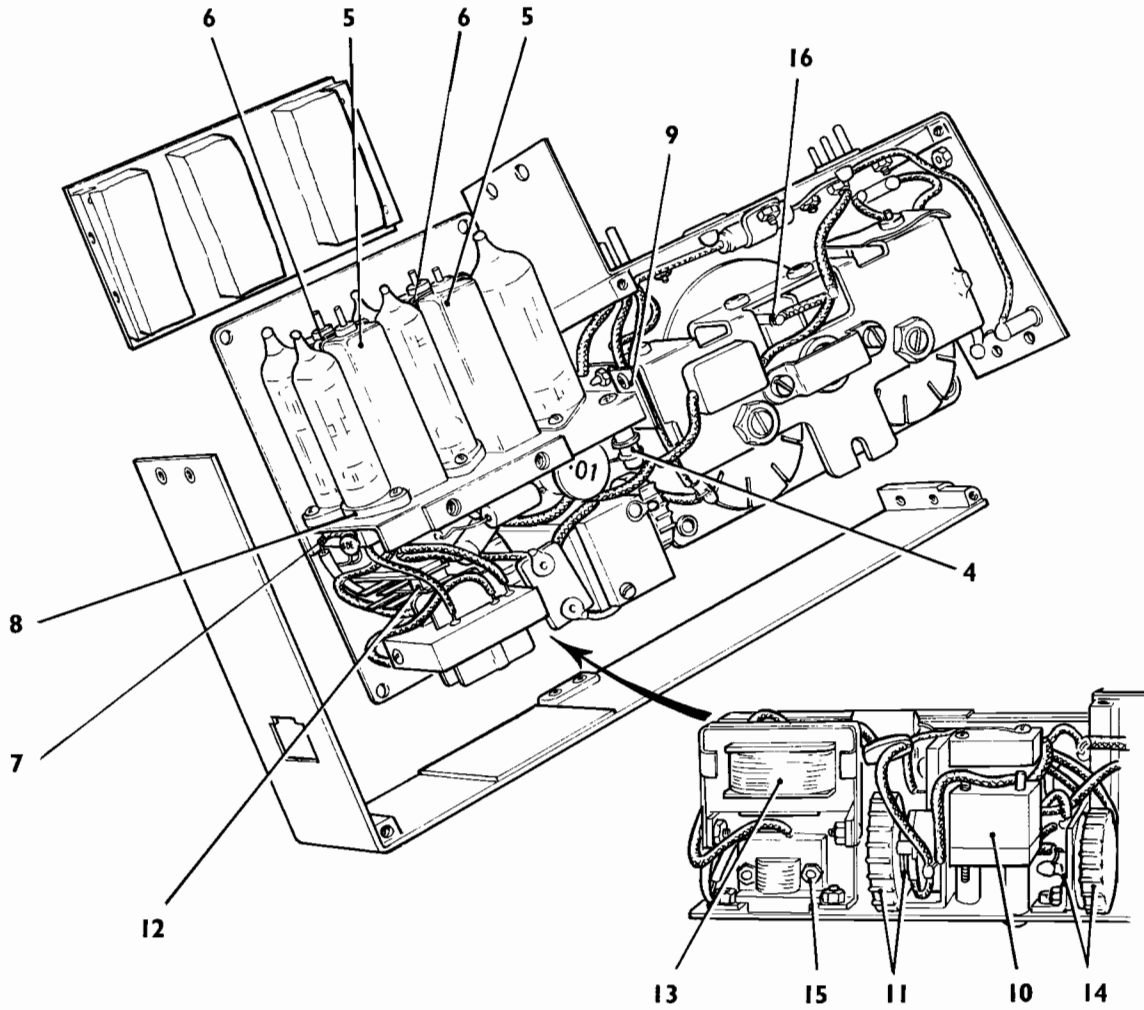


RECEIVER, RADIO, TYPE 301 AND ANCILLARIES

RECEIVER, RADIO, TYPE 301

ITEM No.	CATALOGUE NUMBER	ITEM NAME OR DESIGNATION	ITEM DESCRIPTION	N° OFF	PLATE REF.	SCHEMATIC REF.	DRAWING N°	REMARKS
1	Z1/ZA 53943	RECEIVER, RADIO, TYPE 301		1	A1		301/100 301/200	
2		RECEIVER		1	A2		301/100	for breakdown see page 5
3	Z1/ZA 55372	TUNING UNIT ASSEMBLY, RADIO FREQUENCY		1	A3		301/200	for breakdown see page 13
4		RECEIVER BATTERY BOX		1	A4		301/300	for breakdown see page 17 (includes ancillary items)

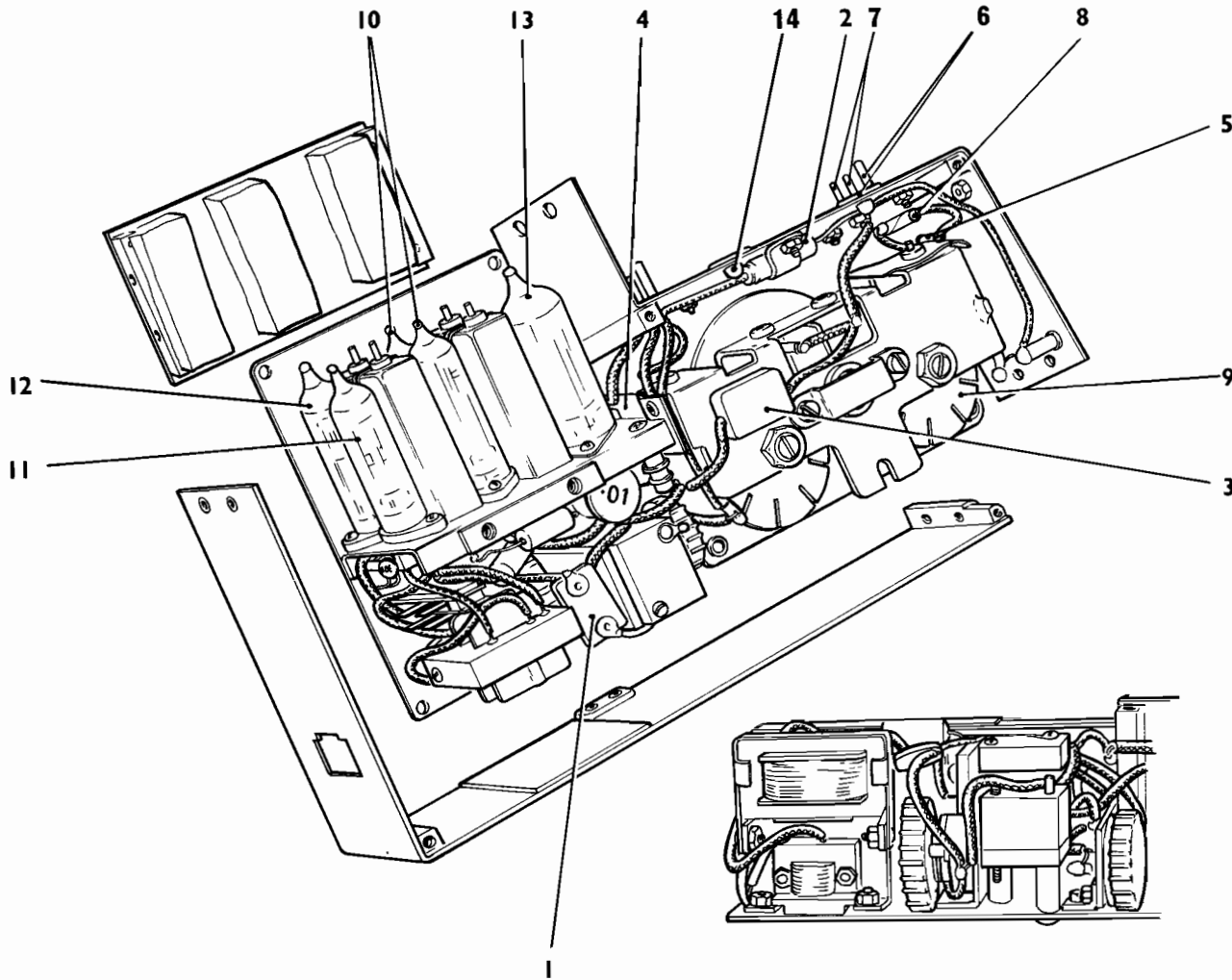
B



RECEIVER INTERNAL VIEW

ITEM N°	CATALOGUE NUMBER	ITEM NAME OR DESIGNATION	ITEM DESCRIPTION	N° OFF	PLATE REF.	SCHEMATIC REF.	DRAWING N°	REMARKS
1		RECEIVER		1	B1		301/100	
2		TOP PANEL ASSEMBLY		1	B2		301/10	
3		CHASSIS ASSEMBLY		1	B3		301/20	
4	Y1/YA 12607	INSULATOR, STAND OFF	ceramic, 17/32 in. lg. 0.156 in. dia., 6 BA by 9/64 in. tapped hole	1	B4		Jackson H2 Pt. No.5125	
5	Z1/ZA 55565	TRANSFORMER, INTERMEDIATE FREQUENCY	Mullard 56652	2	B5	T2 T3		
6	Z1/ZA 55353	STRIP, FIXING	Copper, 3.5/8 in. by 3/32 in. by .005 in. thk	2	B6		183A083	
7	Y3/5940-99-940-9352	TERMINAL LUG	8 BA mtg hole, brass, tinned, 3/8 in. lg., 3/16 in. w. 25 S.W.G.	4	B7		Ross Courtney type 303	
8	Z1/ZA 52697	HOLDER, ELECTRONIC VALVE	8 pin, B8D	4	B8		VB87D/A	
9	Z1/5910-99-911-4989	CAPACITOR, FIXED, MICA DIELECTRIC	metallised; rectangular; protected; 100 pF., $\pm 5\%$; 350 V. dc wkg	1	B9	C3		
10	Z1/ZA 55354	TRANSFORMER, AUDIO FREQUENCY	primary 85 turns, 42 S.W.G. secondary 350 turns, 42 S.W.G. 3/4 in. lg. by 27/64 in. w by 27/32 in. h.	1	B10	L9	301/30	
11	Z1/ZA 55566	CAPACITOR AND BRACKET ASSEMBLY	H.M.G.C.C. 301/40	1	B11	C19	301/40	
12	Z1/ZA 55355	PLUG ASSEMBLY, ELECTRICAL	4 pole, fixed, H.M.G.C.C. 301/50	1	B12		301/50	
13	Z1/ZA 55356	TRANSFORMER, AUDIO FREQUENCY	primary 1000 ohms, secondary 4000 ohms, 1 in. lg. by 3/4 in. w., by 9/16 in. h.	1	B13	T1	TL 365	
14	Z1/ZA 55513	RESISTOR, VARIABLE	composition; 10 k ohms, semilog	1	B14	R19		
15	Z1/ZA 55357	SOCKET ELECTRICAL	2 pole, Amplivox 6040	1	B15			
16		CAPACITOR		1	B16	C7		Capacity produced by wire round stub

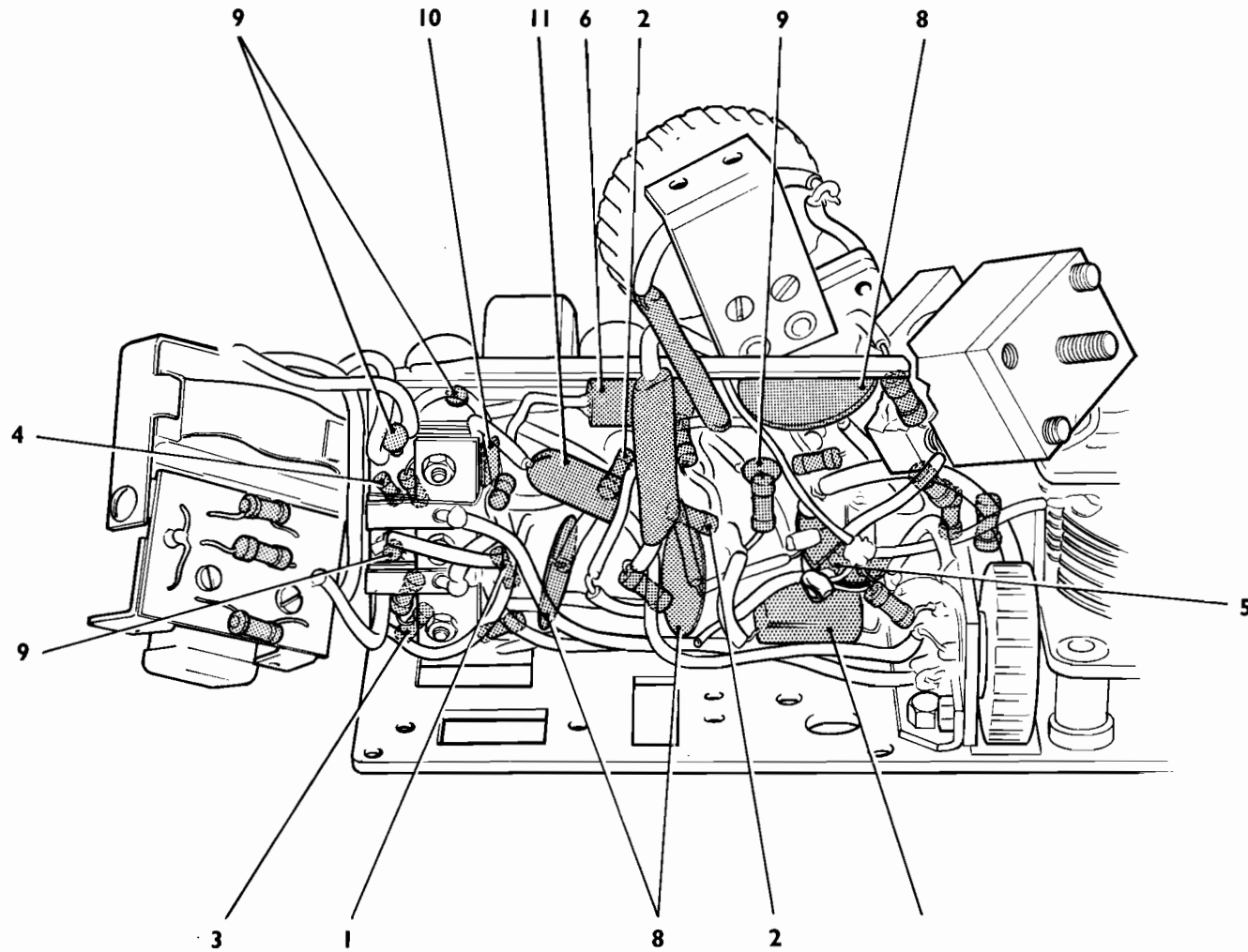
C



RECEIVER INTERNAL VIEW

ITEM N°	CATALOGUE NUMBER	ITEM NAME OR DESIGNATION	ITEM DESCRIPTION	N° OFF	PLATE REF.	SCHEMATIC REF.	DRAWING N°	REMARKS
		RECEIVER (contd)						
		TOP PANEL ASSEMBLY (contd)						
1	Z1/ZA 55514	CAPACITOR, FIXED, MICA DIELECTRIC	metallised; rectangular; protected, 50pF., ± 5%, 350V dc working	1	C1	C20		
2	Z1/5940-99-940-9832	CAPACITOR, FIXED, ELECTROLYTIC	aluminium electrode, processed foil; tubular metal case; 8uF., +50-25%, 6V dc wkg	1	C2	C21		
3	Z1/5910-99-940-9523	CAPACITOR, FIXED, MICA DIELECTRIC	foil; rectangular; plastic case; 100pF ± 20%, 350V dc working	1	C3	C2		
4	Z1/ZA 55516	CAPACITOR, FIXED, MICA DIELECTRIC	foil; rectangular plastic case; 0.001uF., ± 20%, 350V dc working	1	C4	C1		
5	Z/5905-99-022-2166	RESISTOR, FIXED, COMPOSITION	insulated; 20 K ohms, ± 5%; 1/4 watt	1	C5	R23		
6	Z1/ZA 55358	PLUG, ELECTRICAL	3 pole, fixed, H.M.G.C.C. 301/90	2	C6		301/90	
7	Z1/ZA 55370	PIN, STRAIGHT HEADED	brass, 0.090 in. nom. dia. by 0.313 in. lg under head	4	C7		Clix VP56	
8	Z1/ZA 55363	SOCKET, ELECTRICAL	2 pole, fixed, HMGCC 301/140	1	C8		301/140	
9	Z1/ZA 55387	TUNER, RADIO FREQUENCY	Wingrove and Rogers C75-02/1	1	C9	C4, C5		
10	Z/5960-99-000-2101	VALVE, ELECTRONIC	CV 2101 DF72	2	C10	V2, V5		
11	Z/5960-99-000-2102	VALVE, ELECTRONIC	CV 2102 DL75	1	C11	V4		
12	Z/5960-99-000-2104	VALVE, ELECTRONIC	CV 2104 DAF70	1	C12	V3		
13	Z1/ZA 52805	VALVE, ELECTRONIC	Mullard DK 96	1	C13	V1		
14	Z1/ZA 55364	STOPPER, BOTTLE	rubber, 11/32 in. dia. 3/16 in. h, 1/2 in. thk flange, for 5/32 in. panel hole	4	C14		International Bottle Co. type no. 1	

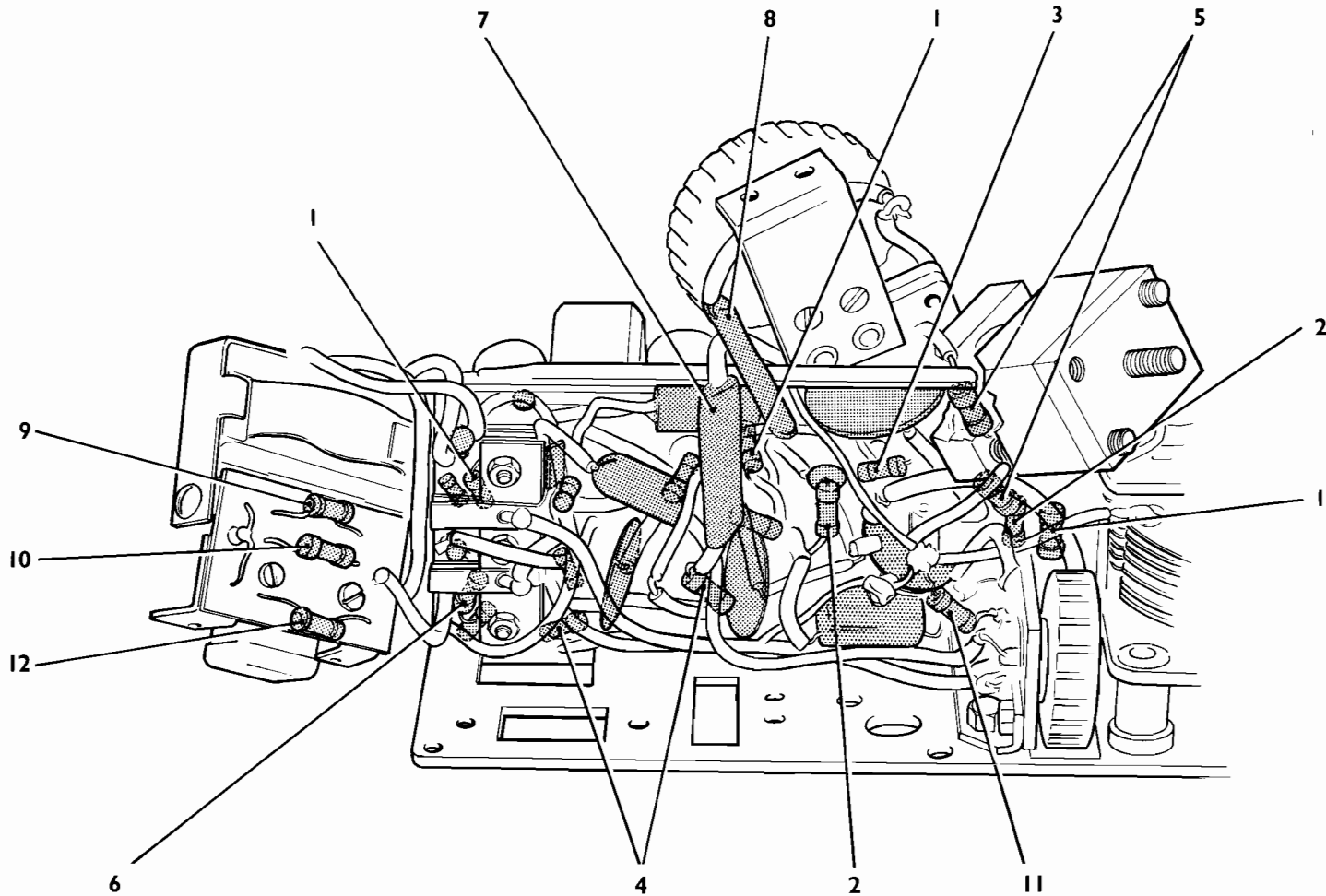
D



RECEIVER UNDER CHASSIS VIEW

ITEM N°	CATALOGUE NUMBER	ITEM NAME OR DESIGNATION	ITEM DESCRIPTION	N° OFF	PLATE REF.	SCHEMATIC REF.	DRAWING N°	REMARKS
		RECEIVER (contd) TOP PANEL ASSEMBLY (contd) CHASSIS ASSEMBLY (contd)						
1	Z1/ZA 55511	RESISTOR, FIXED, COMPOSITION	non-insulated; 4.7 M ohms, $\pm 20\%$, 1/8 watt	1	D1	R13	ERIE 5B	
2	Z1/ZA 55507	RESISTOR, FIXED, COMPOSITION	non-insulated; 330 K ohms, $\pm 20\%$ 1/8 watt	2	D2	R11, R16	ERIE 5B	
3	Z1/ZA 55512	RESISTOR, FIXED, COMPOSITION	non-insulated; 10 M ohms, $\pm 20\%$, 1/8 watt	1	D3	R10	ERIE 5B	
4	Z1/ZA 55506	RESISTOR, FIXED, COMPOSITION	non-insulated; 100 K ohms, $\pm 20\%$, 1/8 watt	1	D4	R15	ERIE 5B	
5	Z/5935-99-056-0132	HOLDER, ELECTRONIC VALVE	7 pin, B7G	1	D5			
6		CAPACITOR, FIXED		1	D6	C9		Value to be selected
7	Z/5910-99-940-9868	CAPACITOR, FIXED, CERAMIC, DIELECTRIC	rectangular; 0.1uF; $+80-20\%$; 250V dc working	1	D7	C6	Plessey CE 54004	
8	Z1/5910-99-940-9867	CAPACITOR, FIXED, CERAMIC DIELECTRIC	disc, 0.01uF; $+80-20\%$, 250V dc working	3	D8	C8, C14, C22	Plessey CE 54003	
9	Z1/5910-99-940-9866	CAPACITOR, FIXED, CERAMIC DIELECTRIC	disc, 0.001uF, $+80-20\%$, 250V dc working	4	D9	C10, C12, C13, C15	Plessey CE 54001	
10	Z1/5910-99-911-4989	CAPACITOR, FIXED, MICA DIELECTRIC	metallised; rectangular; protected; 100pF., $\pm 5\%$; 350V dc working	1	D10	C11	TCC SMP101 finish C	
11	Z1/5910-99-940-9003	CAPACITOR, FIXED	paper dielectric, metallised; tubular, non-metallic case; 100pF., $\pm 20\%$, 600V dc working	1	D11	C16	Dubilier type 400	
12		RESISTOR		1	D12	R6		R6 consists of 36 SWG Eureka wire covered with sleeving and running from Pin 7 of V1 to Pin 5 V4

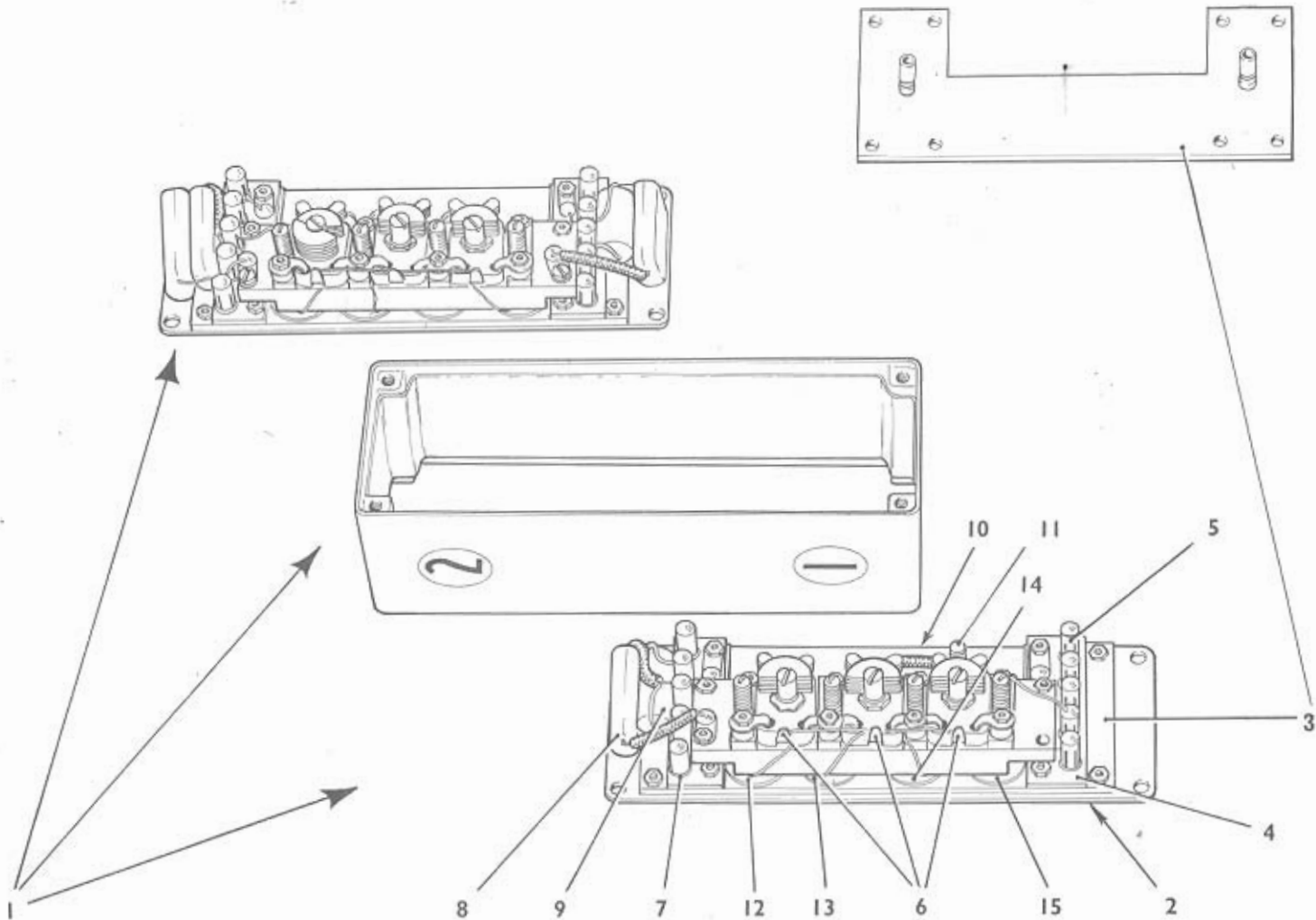
E



RECEIVER UNDER CHASSIS VIEW

ITEM N°	CATALOGUE NUMBER	ITEM NAME OR DESIGNATION	ITEM DESCRIPTION	N° OFF	PLATE REF.	SCHEMATIC REF.	DRAWING N°	REMARKS
		RECEIVER (contd) TOP PANEL ASSEMBLY (contd) CHASSIS ASSEMBLY (contd)						
1	Z1/ZA 55509	RESISTOR, FIXED, COMPOSITION	non-insulated, 1 M ohm, $\pm 20\%$ 1/8 watt	3	E1	R1,R7,R12		
2	Z1/ZA 45259	RESISTOR, FIXED, COMPOSITION	non-insulated, 22 K ohms, $\pm 20\%$, 1/8 watt	2	E2	R2,R4		
3	Z1/ZA 40563	RESISTOR, FIXED	non-insulated, 4.7 K ohms, $\pm 20\%$, 1/8 watt	1	E3	R5		
4	Z1/ZA 55505	RESISTOR, FIXED, COMPOSITION	non-insulated, 47 K ohms, $\pm 20\%$, 1/8 watt	2	E4	R8,R21		
5	Z1/ZA 55502	RESISTOR, FIXED, COMPOSITION	non-insulated, 27 ohms, $\pm 20\%$; 1/8 watt	2	E5	R3,R22		
6	Z1/ZA 55508	RESISTOR, FIXED, COMPOSITION	non-insulated, 470 K ohms, $\pm 20\%$ 1/8 watt	1	E6	R9		
7	Z1/5910-99-911-4989	CAPACITOR, FIXED, MICA DIELECTRIC	metallised; rectangular; protected; 100pF, $\pm 5\%$; 350V dc working	1	E7	C17		
8	Z1/ZA 55515	CAPACITOR, FIXED, MICA DIELECTRIC	metallised, rectangular, protected; 300pF, $\pm 10\%$, 350V dc working	1	E8	C18		
9	Z1/ZA 55504	RESISTOR, FIXED, COMPOSITION	non-insulated, 1.5 K ohms, $\pm 20\%$ 1/8 watt	1	E9	R17		
10	Z1/ZA 55510	RESISTOR, FIXED, COMPOSITION	non-insulated, 3.3 M ohms $\pm 20\%$, 1/8 watt	1	E10	R14		
11	Z1/5905-99-911-5238	RESISTOR, FIXED	composition, grade 2, non-insulated 470 ohms, $\pm 20\%$, 1/10 watt	1	E11	R20		
12	Z1/ZA 55503	RESISTOR, FIXED, COMPOSITION	non-insulated, 270 ohms, $\pm 20\%$, 1/8 watt	1	E12	R18		

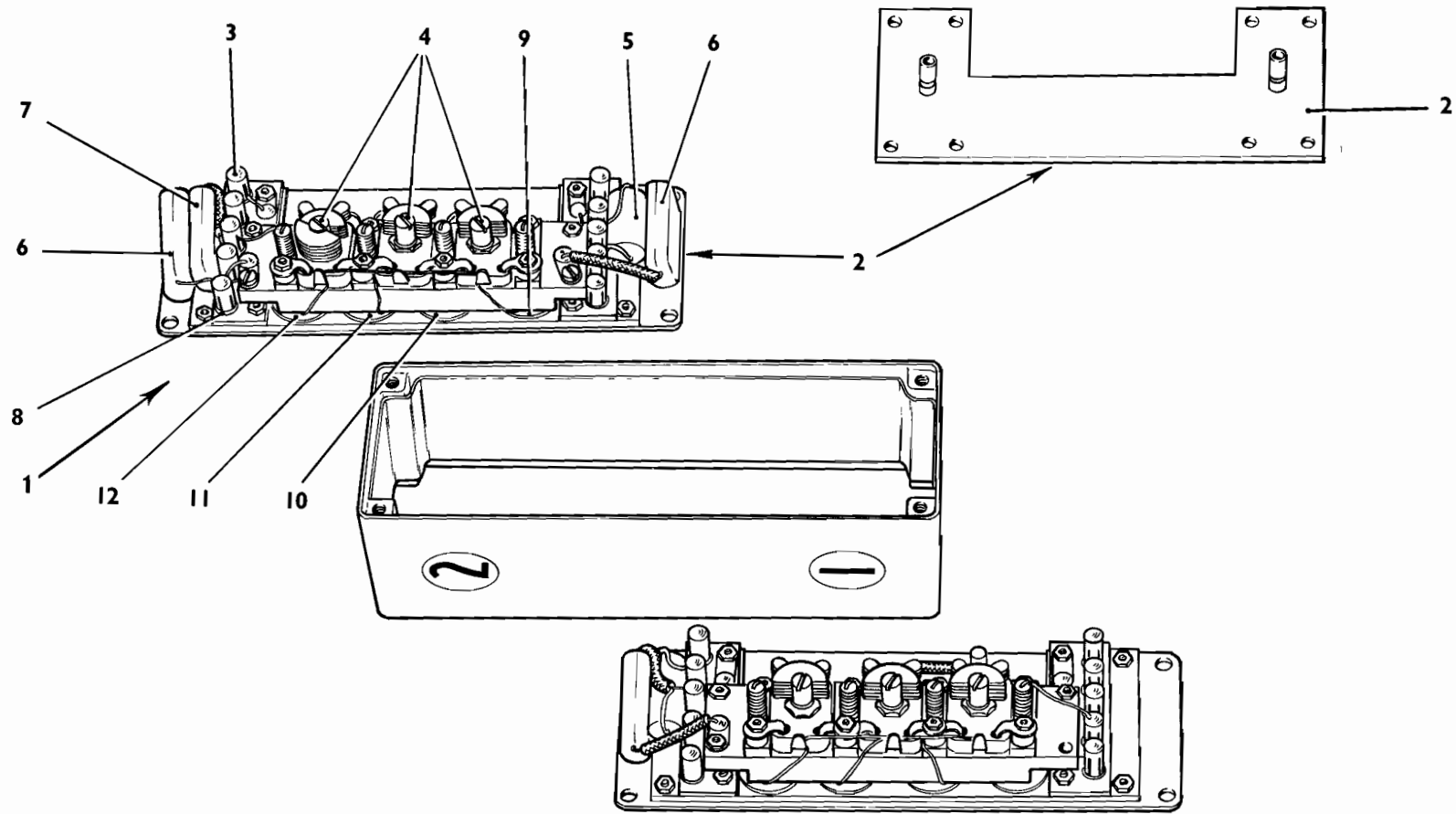
F



TUNING UNIT ASSEMBLY

ITEM N°	CATALOGUE NUMBER	ITEM NAME OR DESIGNATION	ITEM DESCRIPTION	N° OFF	PLATE REF.	SCHEMATIC REF.	DRAWING N°	REMARKS
1	Z1/ZA 55372	TUNING UNIT ASSEMBLY RADIO FREQUENCY	3.5/16 in. by 1.13/32 in. by 1.1/4 in. o/a dim	1	F1		301/200	
2	Z1/ZA 55367	TUNING UNIT RADIO FREQUENCY	H.M.G.C.C. 301/210	1	F2		301/210	
3	Z1/ZA 55365	SOCKET, ELECTRICAL	2 pole, fixed, H.M.G.C.C. 301/150	1	F3		301/150	
4	Z1/ZA 55369	PLATE, CLAMPING	S.R.B.F., 17/32 in. by 0.406 in. by 3/32 in. thk	4	F4		383.A063	
5	Z1/ZA 55366	SOCKET, ELECTRICAL	fixed, straight entry, single pole H.M.G.C.C. P152 W/A	8	F5			
6	Z/5910-99-016-0040	CAPACITOR, VARIABLE	rotary, preset, 8.5 pF. swing	3	F6	C23 C24 C28		
7	Z1/5340-99-100-6934	RING, RETAINING	steel, 0.113 in. id., by 0.157 in. by .022 in. dia wire	8	F7		P152 W/C	
8	Z/5910-99-012-3938	CAPACITOR, FIXED	mica dielectric, metallised, rectangular moulded base, 270 pF., ± 2%, 750 V dc. working	1	F8	C26		
9	Z/5910-99-011-8270	CAPACITOR, FIXED	ceramic dielectric, tubular; insulated; 2.2. pF. ± 0.5 pF, 750 V dc working	1	F9	C27		
10		CAPACITOR		1	F10	C25		wire from C24 wound round wire from C23 sleeving dielectric.
11		CAPACITOR		1	F11	C35		20 turns insulated wire round earth rail
12		OSCILLATOR COIL		1	F12	L1	301/380	
13		AERIAL COIL		1	F13	L2	301/270	
14		AERIAL COIL		1	F14	L3	301/240	
15		OSCILLATOR COIL		1	F15	L4	301/280	

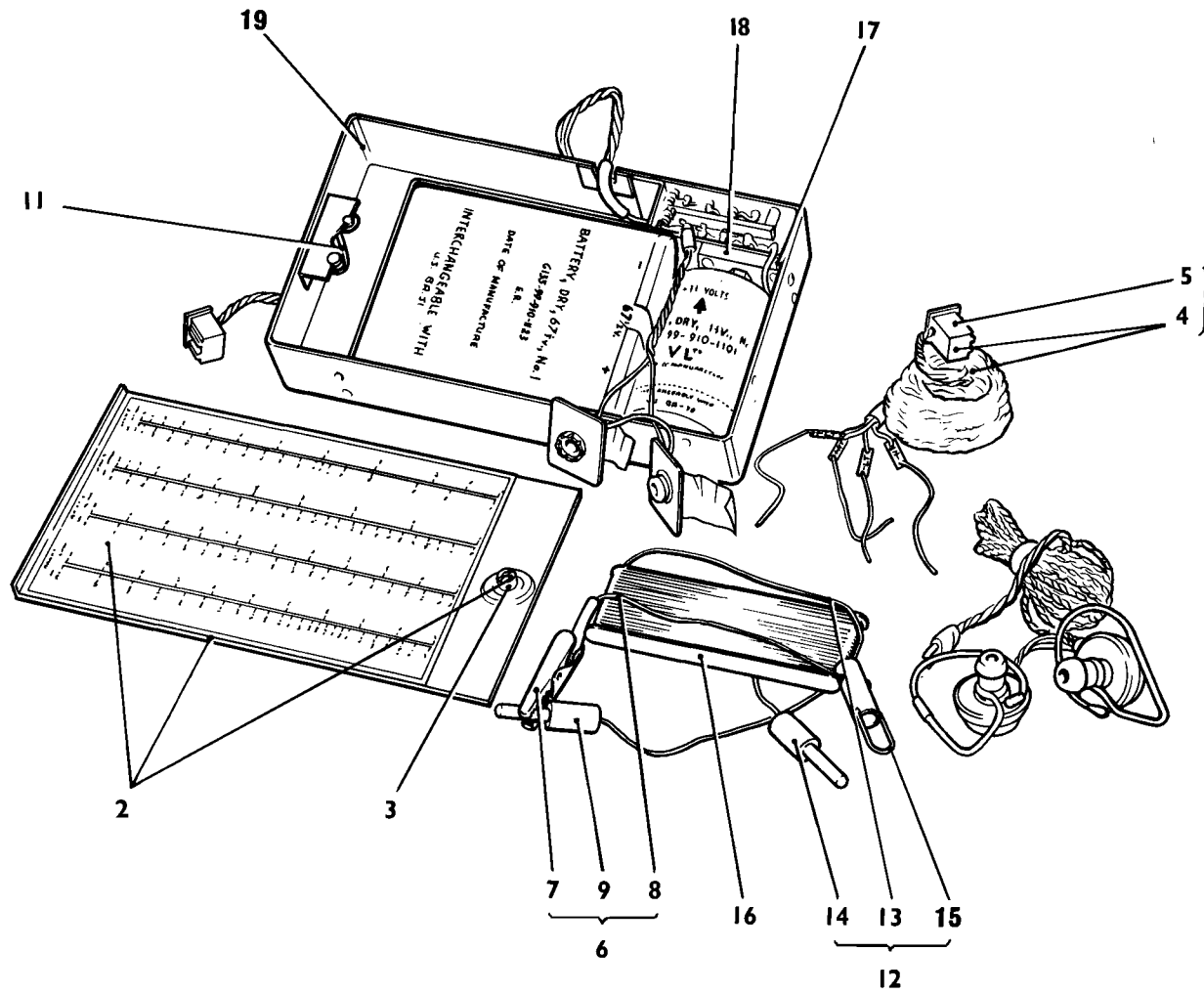
G



TUNING UNIT ASSEMBLY

ITEM N°	CATALOGUE NUMBER	ITEM NAME OR DESIGNATION	ITEM DESCRIPTION	N° OFF	PLATE REF.	SCHEMATIC REF.	DRAWING N°	REMARKS
1	Z1/ZA 55368	TUNING UNIT ASSEMBLY, RADIO FREQUENCY contd. TUNING UNIT, RADIO FREQUENCY	H.M.G.C.C. 301/220	1	G1		301/220	
2	Z1/ZA 55365	SOCKET, ELECTRICAL	2 pole, fixed, H.M.G.C.C. 301/150	1	G2		301/150	
3	Z1/ZA 55366	SOCKET, ELECTRICAL	fixed, straight entry, single pole H.M.G.C.C. P152 W/A	8	G3			
4	Z/5910-99-016-0040	CAPACITOR, VARIABLE	rotary, preset, 8.5 pF., swing	3	G4	C29 C33 C34		
5	Z/5910-99-011-8270	CAPACITOR, FIXED	ceramic dielectric, tubular, insulated; 2.2 pF, \pm 0.5 pF., 750 V dc working	1	G5	C30		
6	Z1/ZA 55517	CAPACITOR, FIXED, MICA DIELECTRIC	metallised, rectangular plastic case, 620 pF, \pm 2%, 350 V dc. working	1	G6	C31 C32)C32 is formed by 1 off items 7 and 8 wired in parallel
7	Z/5910-99-012-4700	CAPACITOR, FIXED	mica dielectric, metallised, rectangular moulded case, 0.001 uF., \pm 2%, 350 V dc working	1	G7	C32		
8	Z1/5340-99-100-6934	RING, RETAINING	steel, 0.113 in. id., by 0.157 in. by 0.22 in. dia wire	8	G8		P152 W/C	
9		OSCILLATOR COIL		1	G9	L5	301/290	
10		AERIAL COIL		1	G10	L6	301/250	
11		AERIAL COIL		1	G11	L7	301/260	
12		OSCILLATOR COIL		1	G12	L8	301/370	

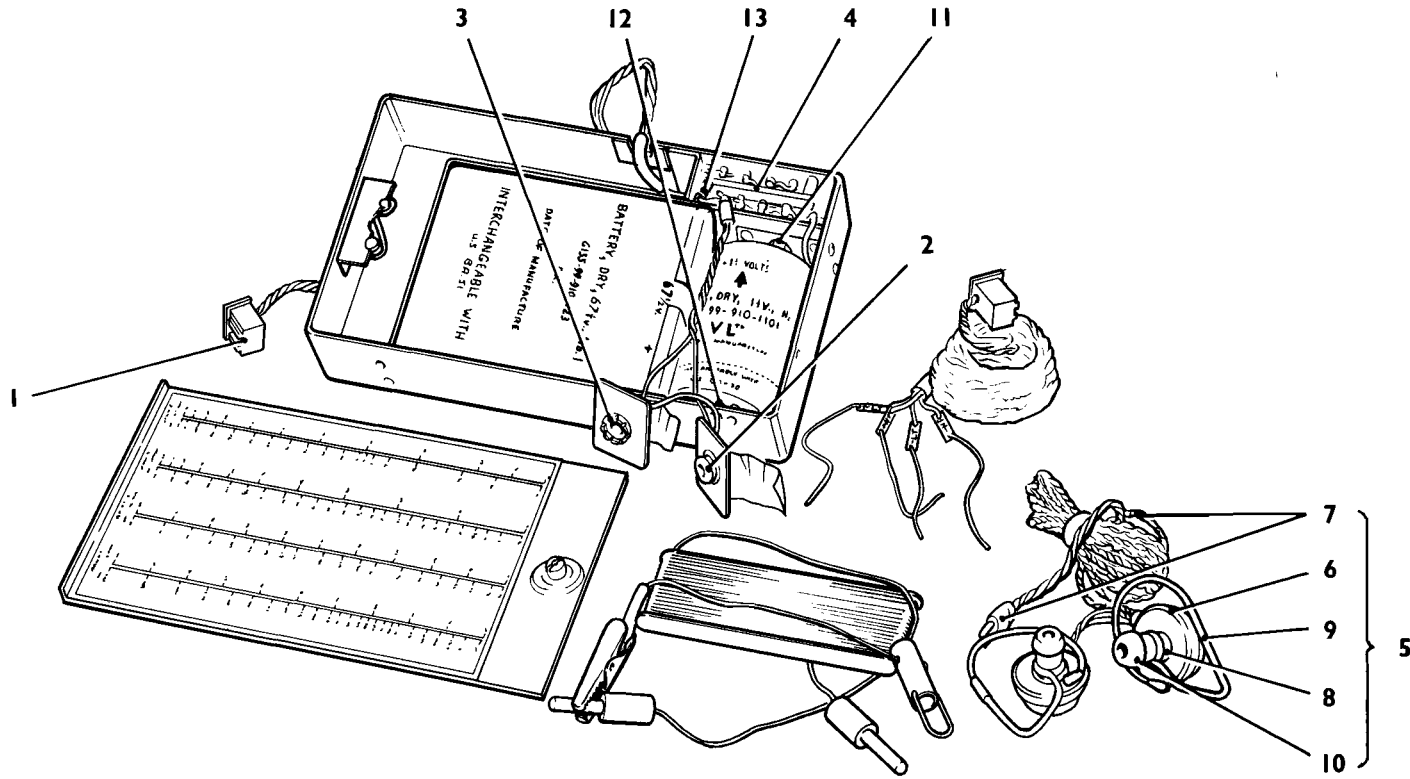
H



BATTERY BOX AND ANCILLARIES

ITEM N°	CATALOGUE NUMBER	ITEM NAME OR DESIGNATION	ITEM DESCRIPTION	N° OFF	PLATE REF.	SCHEMATIC REF.	DRAWING N°	REMARKS
1		RECEIVER BATTERY Box		1	H1		301/300	
2	Z1/ZA 55375	COVER, BATTERY Box	H.M.G.C.C. 301/310	1	H2		301/310	
3	Z1/ZA 55373	STUD, TURNLOCK FASTENER	DZUS type A3/20/XG 18-1	1	H3			
4	Z1/ZA 55374	LEAD ASSEMBLY, ELECTRICAL	4 conductors, 6ft. lg, 4 pole, plug one end	1	H4		301/320	
5	Z1/ZA 55376	PLUG, ELECTRICAL	4 pole H.M.G.C.C. P418	1	H5			
6	Z1/ZA 55080	LEAD, ELECTRICAL	10ft. H.M.G.C.C. 301/330	1	H6		301/330	
7	Y3/5940-99-940-0856	CLIP, ELECTRICAL	steel, uninsulated, 1,5/8 in. lg, 5/16 in. dia. grip, crocodile	1	H7		Bulgin CR5	
8	Y3/YC 02393	BRAID, WIRE	tinned copper, 0.0028 in. dia. wires	10ft	H8		B.I.C. 16/3/0028	
9	Z1/ZA 55371	PLUG, ELECTRICAL	free, straight entry, single pole, clix TC 412 black	1	H9			
10		SPRING RIVETING ASSEMBLY		1	H10		301/340	
11	Z4/ZD 04809	LOCKSPRING, TURNLOCK FASTENER	DZUS type S3-150	1	H11			
12	Z1/ZA 55076	LEAD, ELECTRICAL	50ft., H.M.G.C.C. 301/350	1	H12		301/350	
13	Y3/YC 02393	BRAID, WIRE	tinned copper, 0.0028 in. dia wires	50ft	H13		B.I.C. 16/3/0028	
14	Z1/ZA 55386	PLUG, ELECTRICAL	free, straight entry, single pole, clix TC 412 red	1	H14			
15		AERIAL LEAD CONNECTOR		1	H15		363A011 195A027	
16	Z1/ZA 55077	BOARD, AERIAL STOWAGE	H.M.G.C.C. 383A059	1	H16			
17	Y3/5940-99-943-9209	TERMINAL, LUG	6 B.A. mtg. hole, brass, tinned, 0.425 in. lg, 0.234 in. w, 23 S.W.G. 0,06 in. dia. cable hole, soldered.	1	H17		TS 161S	
18	Y3/5940-99-940-9352	TERMINAL, LUG	8 B.A. mtg. hole, brass, tinned, 3/8 in. lg, 3/16 in. w, 25 S.W.G., soldered	1	H18		TS180S	
19	Z1/ZA 55078	BATTERY BOX	H.M.G.C.C. 301/360	1	H19		301/360	

J



BATTERY BOX AND ANCILLARIES

ITEM N°	CATALOGUE NUMBER	ITEM NAME OR DESIGNATION	ITEM DESCRIPTION	N° OFF	PLATE REF.	SCHEMATIC REF.	DRAWING N°	REMARKS
1	Z1/ZA 55376	RECEIVER BATTERY Box contd PLUG, ELECTRICAL	4 pole, H.M.G.C.C. P418	1	J1			
2	Z1/ZA 55377	CLIP, ELECTRICAL	H.M.G.C.C. TS 227 P	1	J2		Clix 75/780	
3	Z1/ZA 55378	CLIP, ELECTRICAL	H.M.G.C.C. TS 227 N	1	J3		Clix 75/781	
4	Z1/ZA 53667	BOARD, TERMINAL TAG	4 way, H.M.G.C.C. TS 1904E	1	J4			
5	Y1/YA 12583	HEADSET, ELECTRICAL	Amplivox H126	1	J5			
6	Y1/YA 12615	EARPHONE	moving iron type, 100 to 3000 c/s, 0.84 in. dia., 0.592 in. depth,	2	J6		Amplivox E4A	
7	Y1/YA 12617	CORD ASSEMBLY, ELECTRICAL	2 twisted conductors, tinsel, 3.1/2 ft. approx. length, terminated by two pin moulded plug	1	J7		Amplivox 'Y' cord 251	
8	Y1/YA 11793	EAR TIP ADAPTOR	Amplivox type 10302	2	J8			
9	Y1/YA 11022	ATTACHMENT	ear, flexible	2	J9		Amplivox 10304	
10	Y1/YA 11023	EAR NIPPLE	plastic, 13/32 in. dia	2	J10		Amplivox 10303	
11	Z1/ZA 55379	CONTACT, ELECTRICAL	copper, 1/8 in. by 1/2 in. by 7/32 in. o/a dim.	1	J11		454A006	
12	Z1/ZA 55380	CONTACT, ELECTRICAL	brass, 17/32 in. o/a lg, 2 BA hex hd., threaded, 2 BA.	1	J12		203A005	
13	Z1/5325-99-942-3421	GROMMET	synthetic rubber, 3/8 in. by 0.06 in.	1	J13			
14	Y3/6135-99-910-1123	BATTERY, DRY EVERREADT B-101	67.1/2V.	1	J14			CSL item
15	Y3/6135-99-910-1101	BATTERY, DRY SPZ	1.1/2 volt; No.1	1	J15			CSL item

CATALOGUE NUMBER	PAGE NUMBER	CATALOGUE NUMBER	PAGE NUMBER	CATALOGUE NUMBER	PAGE NUMBER	CATALOGUE NUMBER	PAGE NUMBER
<u>Y1/YA</u>		<u>Z1/ZA cont'd</u>					
11022	19	55355	5				
11023	19	55356	5				
11793	19	55357	5				
12583	19	55358	7				
12607	5	55363	7				
12615	19	55364	7				
12617	19	55365	13,15				
		55366	13,15				
<u>Y3</u>		55367	13				
5940-99-940-0856	17	55368	15				
6135-99-910-1101	19	55369	13				
6135-99-910-1123	19	55370	7				
5940-99-943-9209	17	55371	17				
5940-99-940-9352	5,17	55372	3,13				
		55373	17				
<u>Y3/YC</u>		55374	17				
02393	17	55375	17				
		55376	17,19				
<u>Z</u>		55377	19				
5910-99-016-0040	13,15	55378	19				
5935-99-056-0132	9	55379	19				
5960-99-000-2101	7	55380	19				
5960-99-000-2102	7	55386	17				
5060-99-000-2104	7	55387	7				
5905-99-022-2166	7	55502	11				
5910-99-012-3938	13	55503	11				
5910-99-012-4700	15	55504	11				
5910-99-011-8270	13,15	55505	11				
5910-99-940-9868	9	55506	9				
		55507	9				
<u>Z1</u>		55508	11				
5325-99-942-3421	19	55509	11				
5910-99-911-4989	5,11*	55510	11				
5905-99-911-5238	11	55511	9				
5340-99-100-6934	13,15	55512	9				
5910-99-940-9003	9	55513	5				
5910-99-940-9523	7	55514	7				
5940-99-940-9832	7	55515	11				
5910-99-940-9866	9	55516	7				
5910-99-940-9867	9	55517	15				
		55565	5				
		55566	5				
<u>Z1/ZA</u>		<u>Z4/ZD</u>					
40563	11	04809	17				
45259	11						
52697	5						
52805	7						
53667	19						
53943	3						
55076	17						
55077	17						
55078	17						
55080	17						
55353	5						
55354	5						

NOTE: The appearance of a star against a page number indicates that the catalogue numbers appear more than twice in the list and are to be found on and between the page numbers quoted.