

R E S T R I C T E D

ELECTRICAL AND MECHANICAL
ENGINEERING REGULATIONS
(By Command of the Army Council)

TELECOMMUNICATIONS
Y 819 Misc Instr No 3

TESTER, VALVE, AVO, NO 3

TECHNICAL HANDBOOK - MISCELLANEOUS INSTRUCTION

Cancellation of EMERs

Note: When destroying the EMERs listed below ensure, by carefully checking the issue date, that they are not the new series of EMERs bearing these numbers.

SUMMARY

1. This instruction covers the cancellation of previous EMERs on this equipment.

DETAIL

2. The information contained in the EMERs listed below, together with that formerly in Tels Y 800 - 809, has been incorporated in a new series, covering all valve testers, entitled Testers, valve, Avo and re-using the numbers made available by this cancellation, viz Tels Y 810 - 819. The following EMERs are therefore cancelled and all copies will be destroyed. Extreme care should be taken in accordance with the note above.

Issue 1, 30 Jun 58

Distribution - Class 930. Code No 2

Page 1

R E S T R I C T E D

TELECOMMUNICATIONS
Y 819 Misc Instr No 3

ELECTRICAL AND MECHANICAL
ENGINEERING REGULATIONS

EMER designation	Pages	Issue No	Date	Category
Tels Y 810	1 - 2	1	4 Feb 54	Data summary
Tels Y 819 Misc Instr No 1	1 - 8 1001 - 1012	1	30 Nov 53	Miscellaneous instruction
Tels Y 819 Misc Instr No 2	1 - 2	1	1 Jul 55	Miscellaneous instruction

3. When action has been carried out as in para 2, this instruction also will be destroyed.

EME8b/860

END

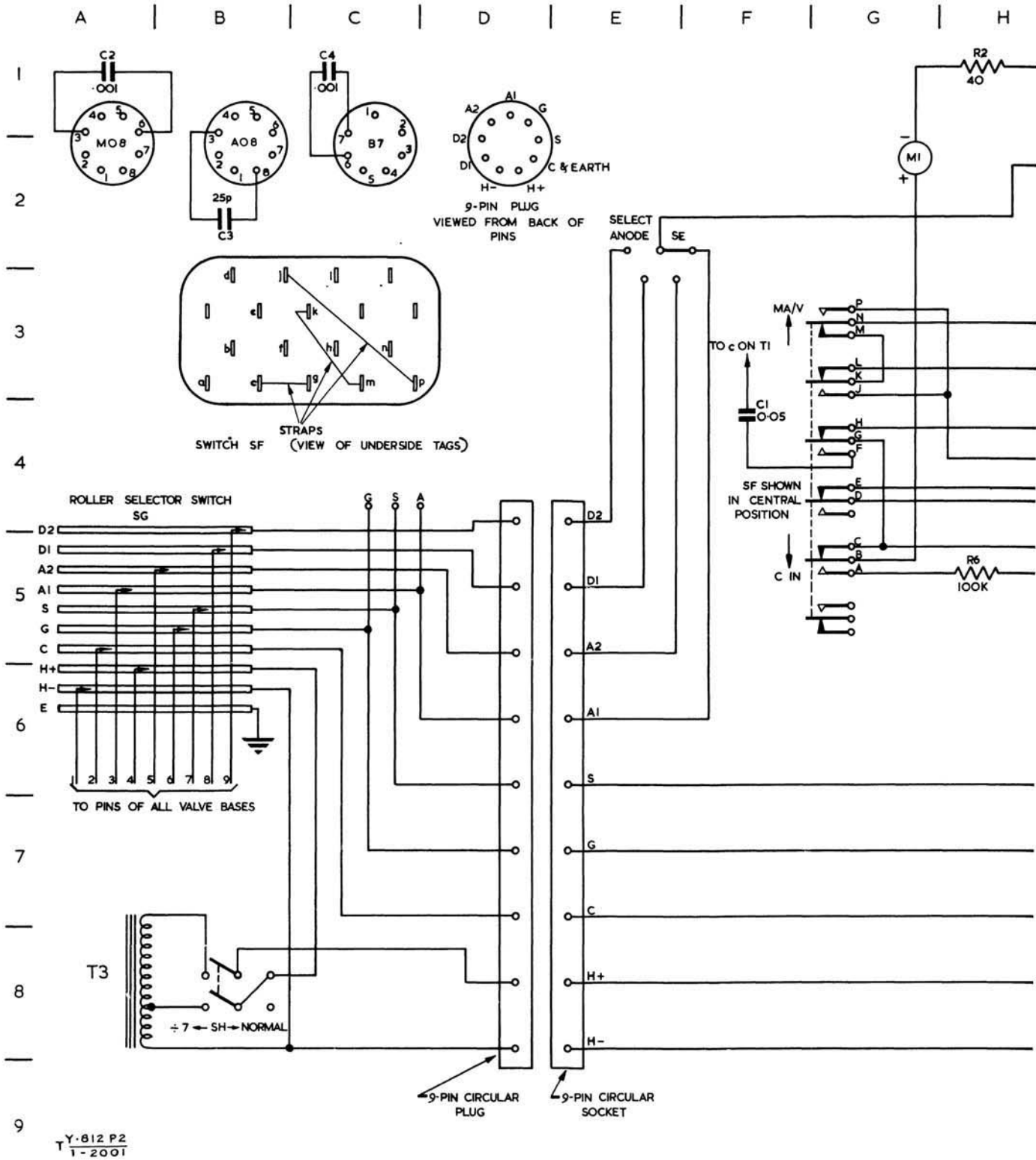
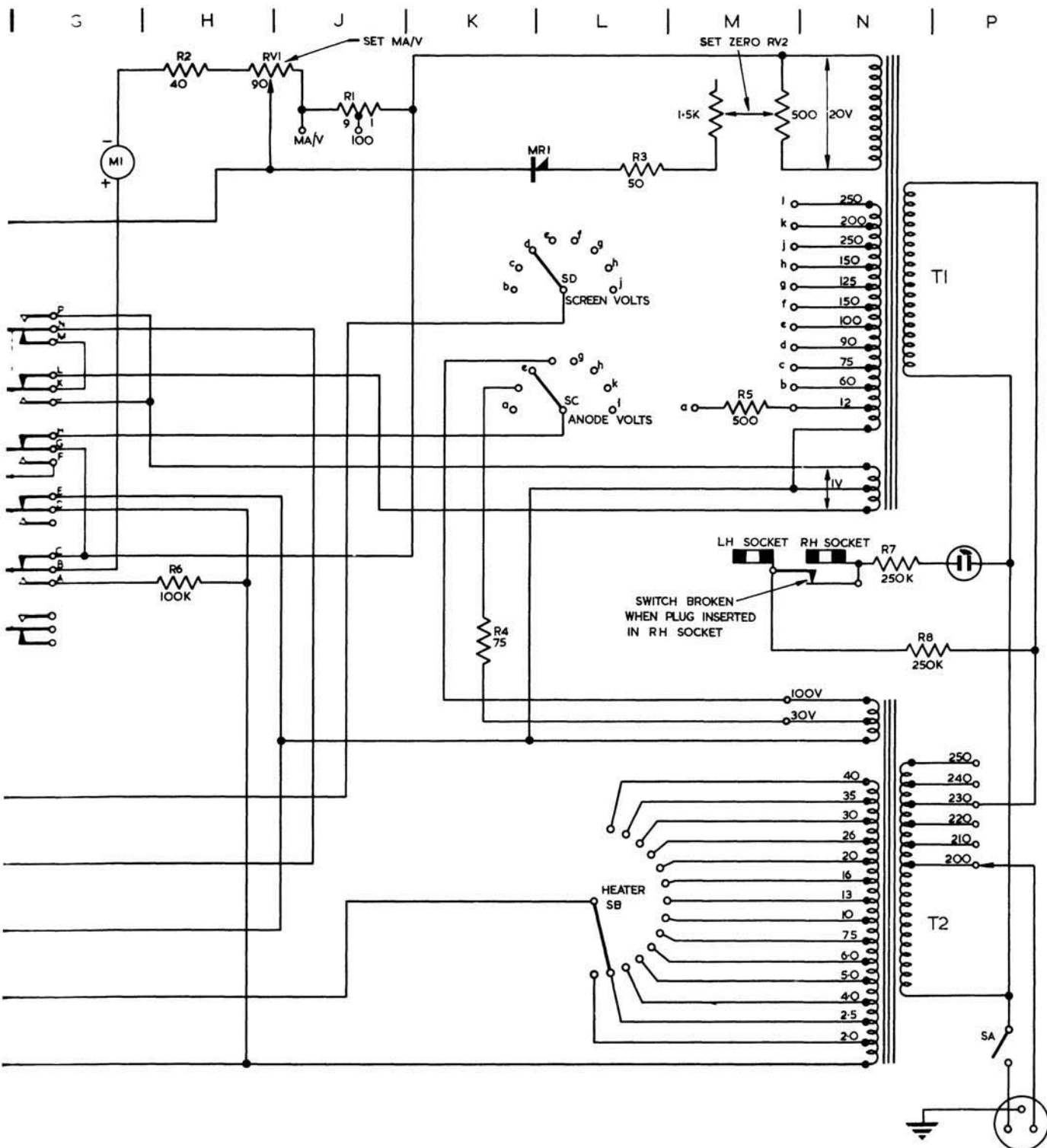


Fig 2001 - Circuit diagram T.1



• Circuit diagram T.V.A. No 1

TELECOMMUNICATIONS
Y 812
Part 2

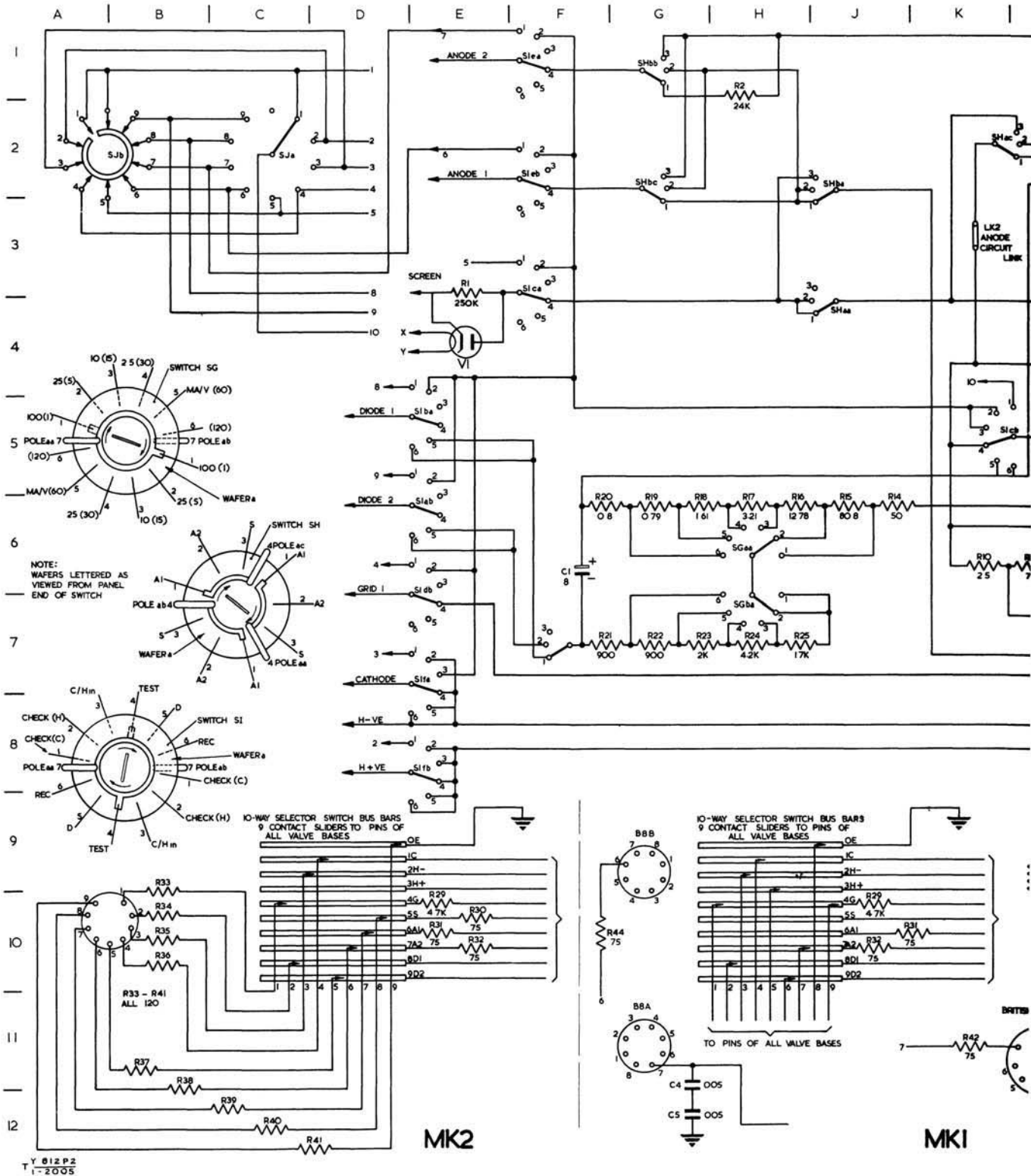
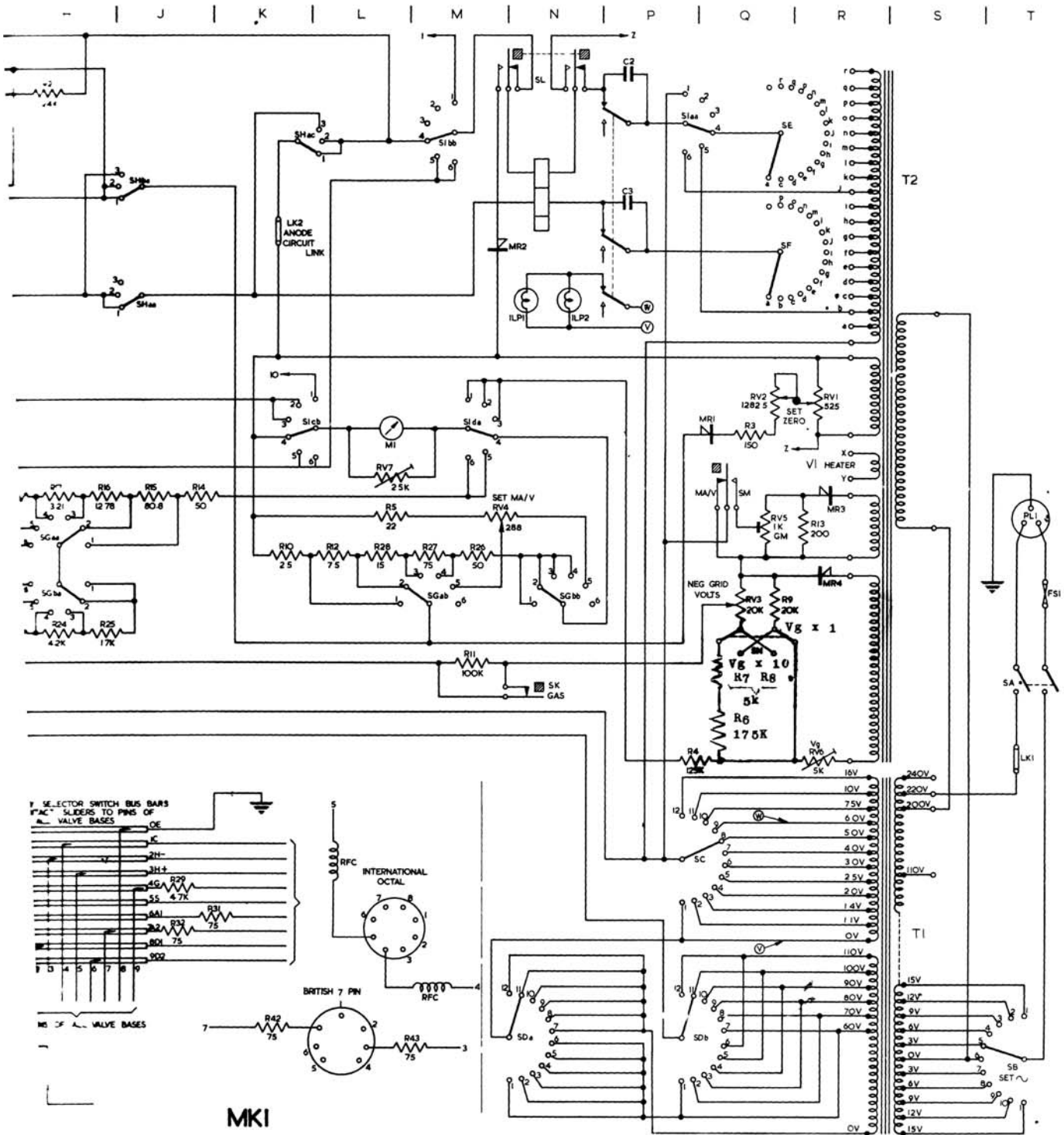


Fig 2005 - Circuit diagram T



2005 - Circuit diagram T.V.A. No 3

TELECOMMUNICATIONS
Y 812
Part 2

RESTRI

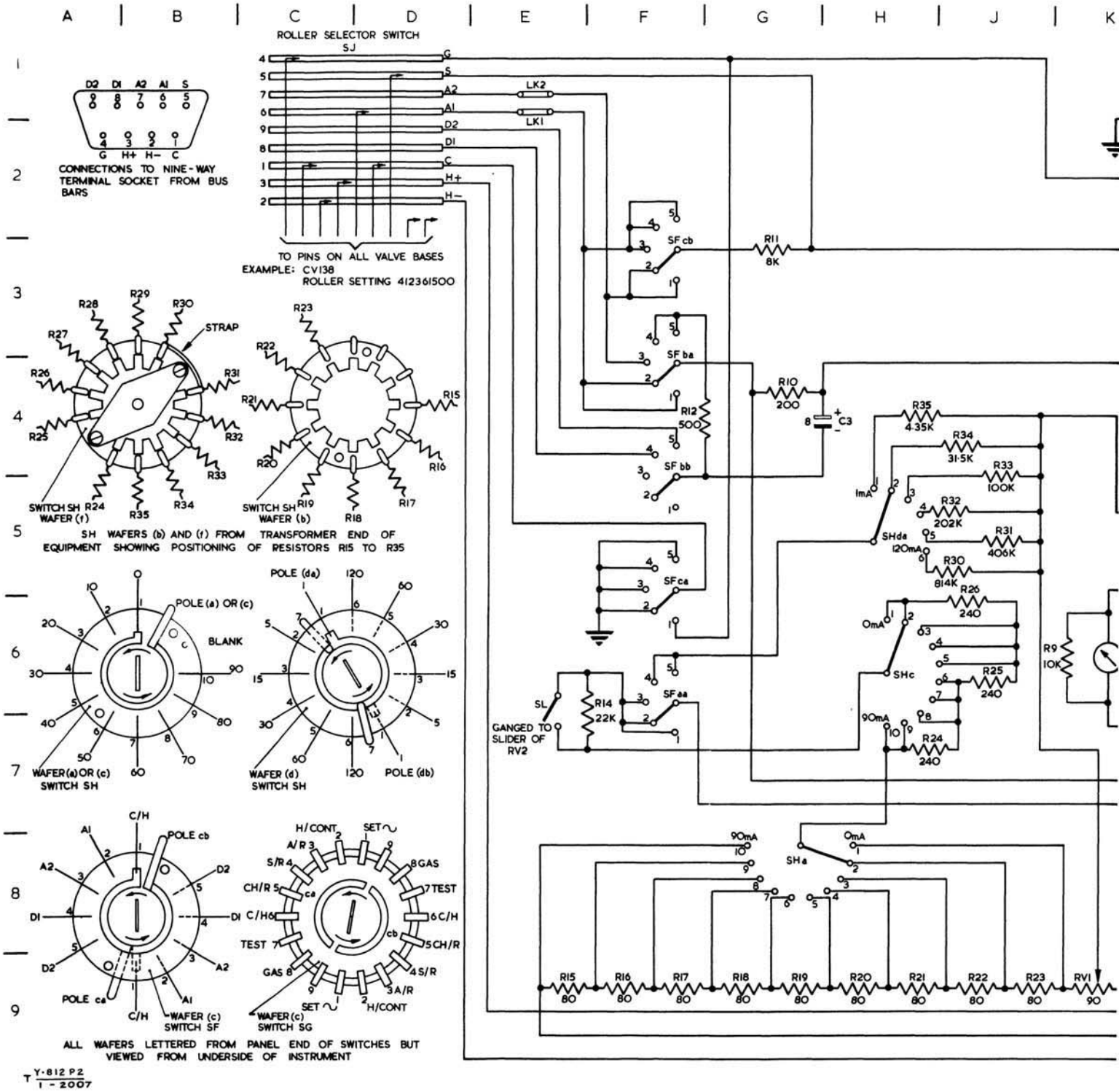


Fig 2007 - Circuit diag

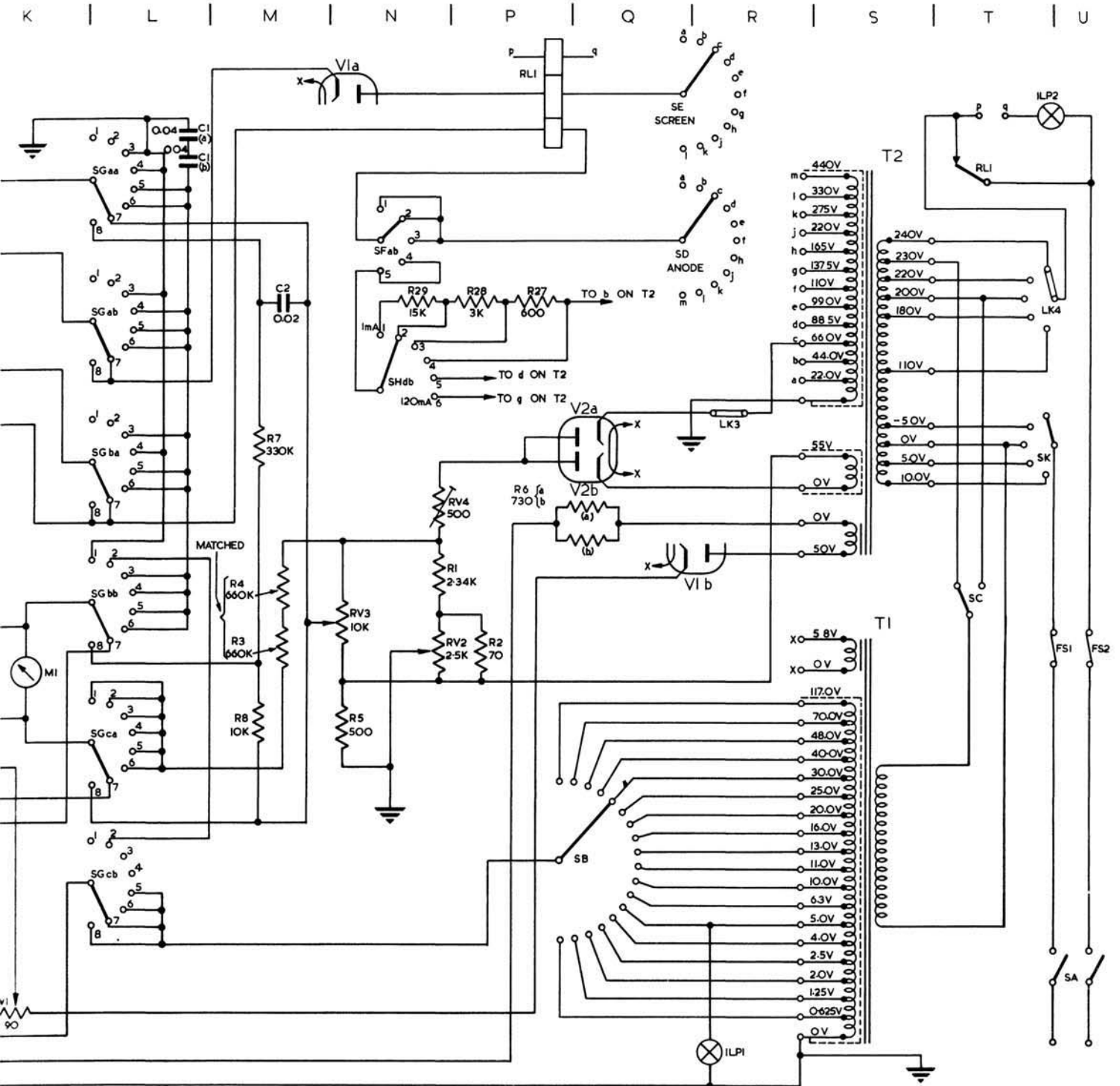


Diagram T.V.A. CT 160

