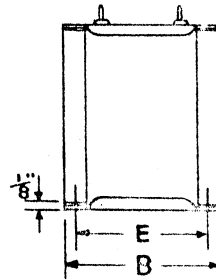
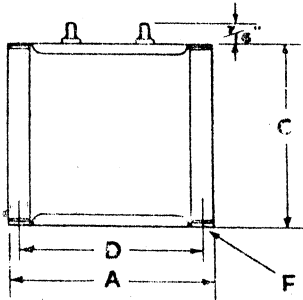
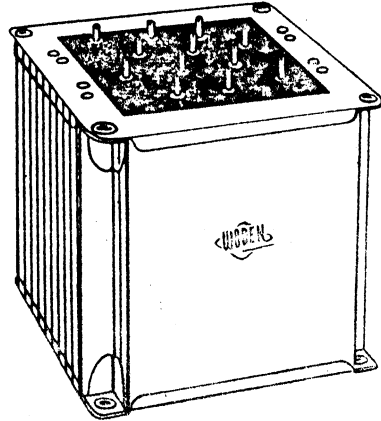




COMMAND SERIES MODULATION TRANSFORMERS POTTED TYPE COMPOUND FILLED

Pattern UM

WODEN Multi Match Modulation Transformers are carefully designed for accurate matching and maximum efficiency. These transformers have universal application and enable the absolute maximum undistorted power to be obtained from any combination of tubes and operating conditions.



Type No.	Radio Watts	WATTS R.F. Input	Max. Sec. Current	A	B	C	D	E	F	Wt. lb. (approx.)	PANEL CUT-OUT
U.M.0	10	20	60 m/a.	2½	2½	3½	2½	2½	4 B.A.	3	1½ x 1½
U.M.1	30	60	120 m/a.	4½	3½	3½	3½	3½	2 B.A.	6	2½ x 2½
U.M.2	60	120	200 m/a.	5½	4½	5½	4½	3½	2 B.A.	12	2½ x 3½
U.M.3	120	240	250 m/a.	5½	5½	5½	4½	4½	2 B.A.	15	3½ x 3½
U.M.4	250	500	400 m/a.	10½	9	8½	9½	4	½	41	10½ x 9

All Dimensions are in Inches.

WODEN TRANSFORMER CO. LTD
OXFORD STREET . BILSTON . STAFFS . ENGLAND

