

WIRELESS STATION NO 31 AFV

TECHNICAL HANDBOOK - MISCELLANEOUS INSTRUCTION

Fastening clips

SUMMARY

1. Many cases are occurring of the fastening clips (Catches, spring loaded, No 8, Z1/ZA 35192) used on this equipment opening out due to insufficient stiffness in the metal. This Regulation gives details of the action to be taken when sets are being repaired or overhauled.

DETAIL

2. When a Wireless set No 31 AFV is being repaired or overhauled in a workshop with spot-welding facilities, all Catches, spring loaded, No 8, Z1/ZA 35192 (qty 2) will be spot-welded at the points shown in Fig 1.

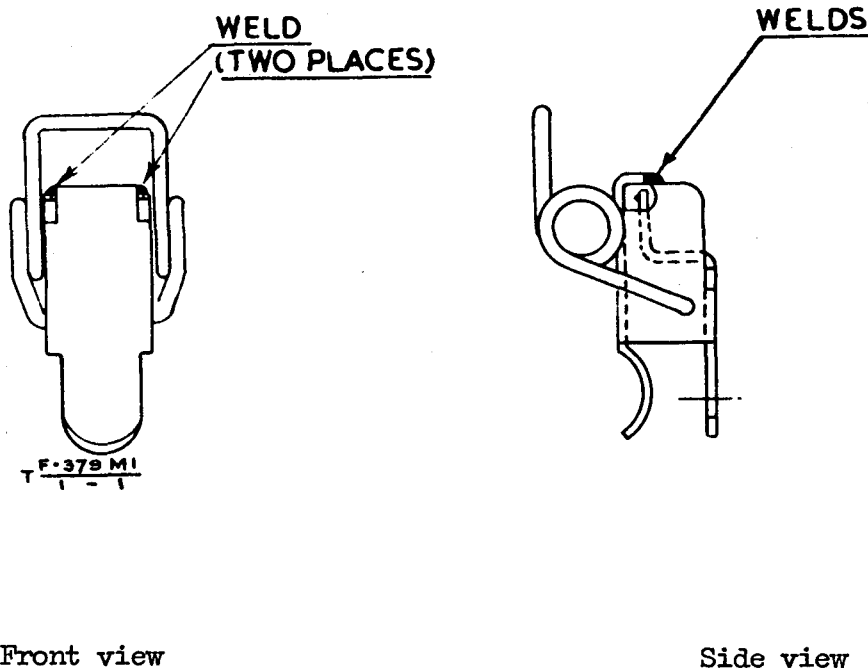


Fig 1 - Position of welds

57/Maint/3957

END

Issue 1,2 Sep 58

Distribution - Class 870. Code No 3

Page 1

